

US00D544147S

(12) **United States Design Patent**  
**Baudouin**

(10) **Patent No.:** **US D544,147 S**

(45) **Date of Patent:** **\*\* Jun. 5, 2007**

(54) **HAIR DRYER**

(75) Inventor: **Karen L. Baudouin**, Ft. Lauderdale, FL  
(US)

(73) Assignee: **Conair Corporation**, Stamford, CT  
(US)

(\*\*) Term: **14 Years**

(21) Appl. No.: **29/258,549**

(22) Filed: **Apr. 24, 2006**

(51) **LOC (8) Cl.** ..... **28-03**

(52) **U.S. Cl.** ..... **D28/13**

(58) **Field of Classification Search** ..... D28/12-19;  
34/96-101, 201; 392/380, 383, 384, 385,  
392/381, 382; 219/222

See application file for complete search history.

(56) **References Cited**

U.S. PATENT DOCUMENTS

- D428,528 S \* 7/2000 Deguines ..... D28/13
- 6,285,828 B1 \* 9/2001 Cafaro ..... 392/385
- D454,411 S \* 3/2002 Yeung ..... D28/13
- D457,266 S \* 5/2002 Yeung ..... D28/13
- D460,214 S \* 7/2002 Parodi ..... D28/13
- D470,975 S \* 2/2003 Rizzuto, Jr. .... D28/13

- D470,976 S \* 2/2003 Rizzuto, Jr. .... D28/13
- D472,672 S \* 4/2003 Altamore et al. .... D28/13
- D494,710 S \* 8/2004 Parodi ..... D28/13
- D496,754 S \* 9/2004 Parodi ..... D28/13
- D518,919 S \* 4/2006 Parodi ..... D28/13

\* cited by examiner

*Primary Examiner*—Janice Seeger

*Assistant Examiner*—Zenita I. Bennett

(74) *Attorney, Agent, or Firm*—Lawrence Cruz; Steven A. Garner

(57) **CLAIM**

The ornamental design for a hair dryer, as shown and described.

**DESCRIPTION**

FIG. 1 is a perspective view of a hair dryer showing my new design;

FIG. 2 is a right side view thereof;

FIG. 3 is a front view thereof;

FIG. 4 is a top view thereof;

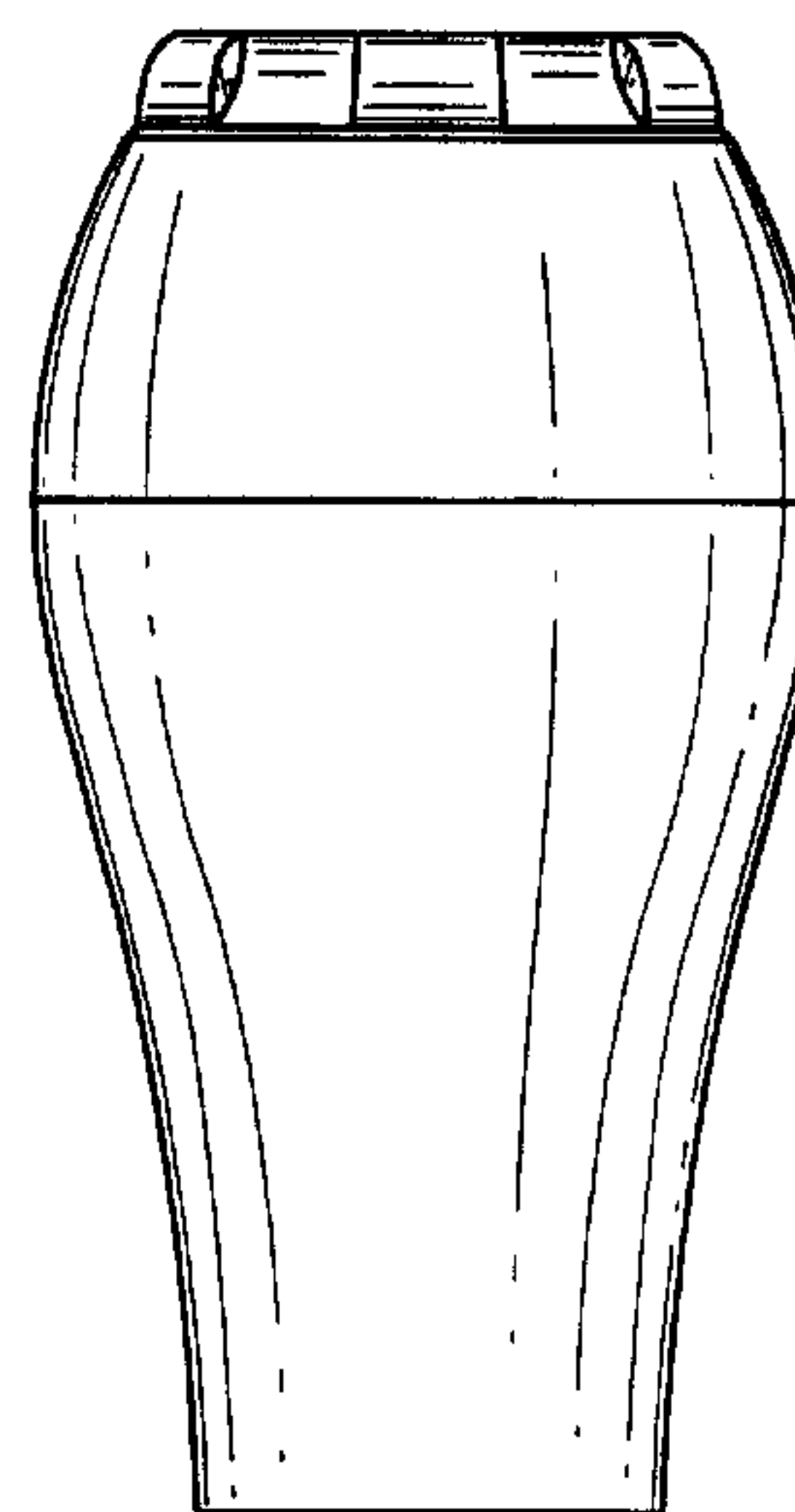
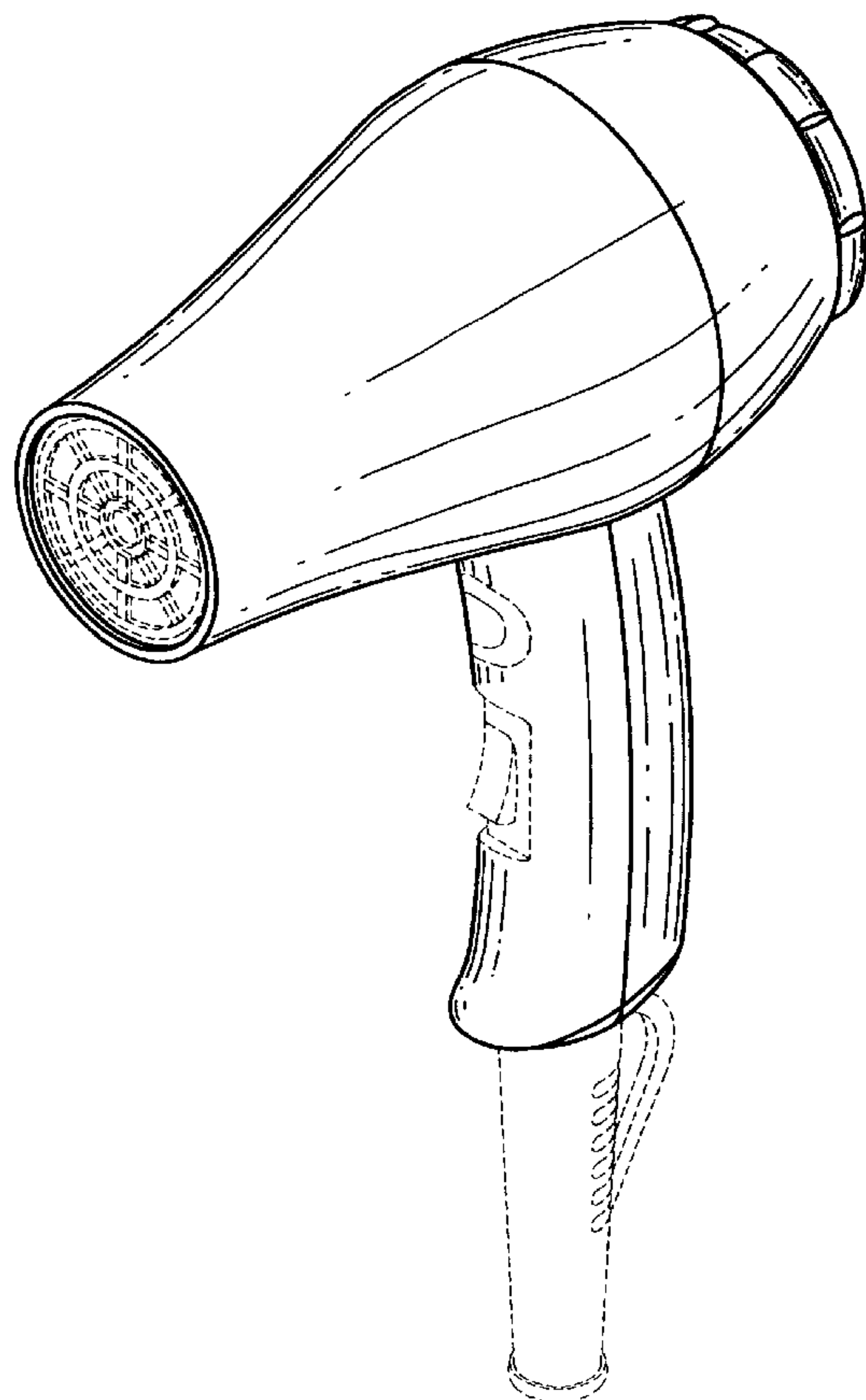
FIG. 5 is a bottom view thereof;

FIG. 6 is a left side view thereof; and,

FIG. 7 is a rear view thereof.

The broken lines are shown for illustrative purposes only and form no part of the claimed design.

**1 Claim, 3 Drawing Sheets**



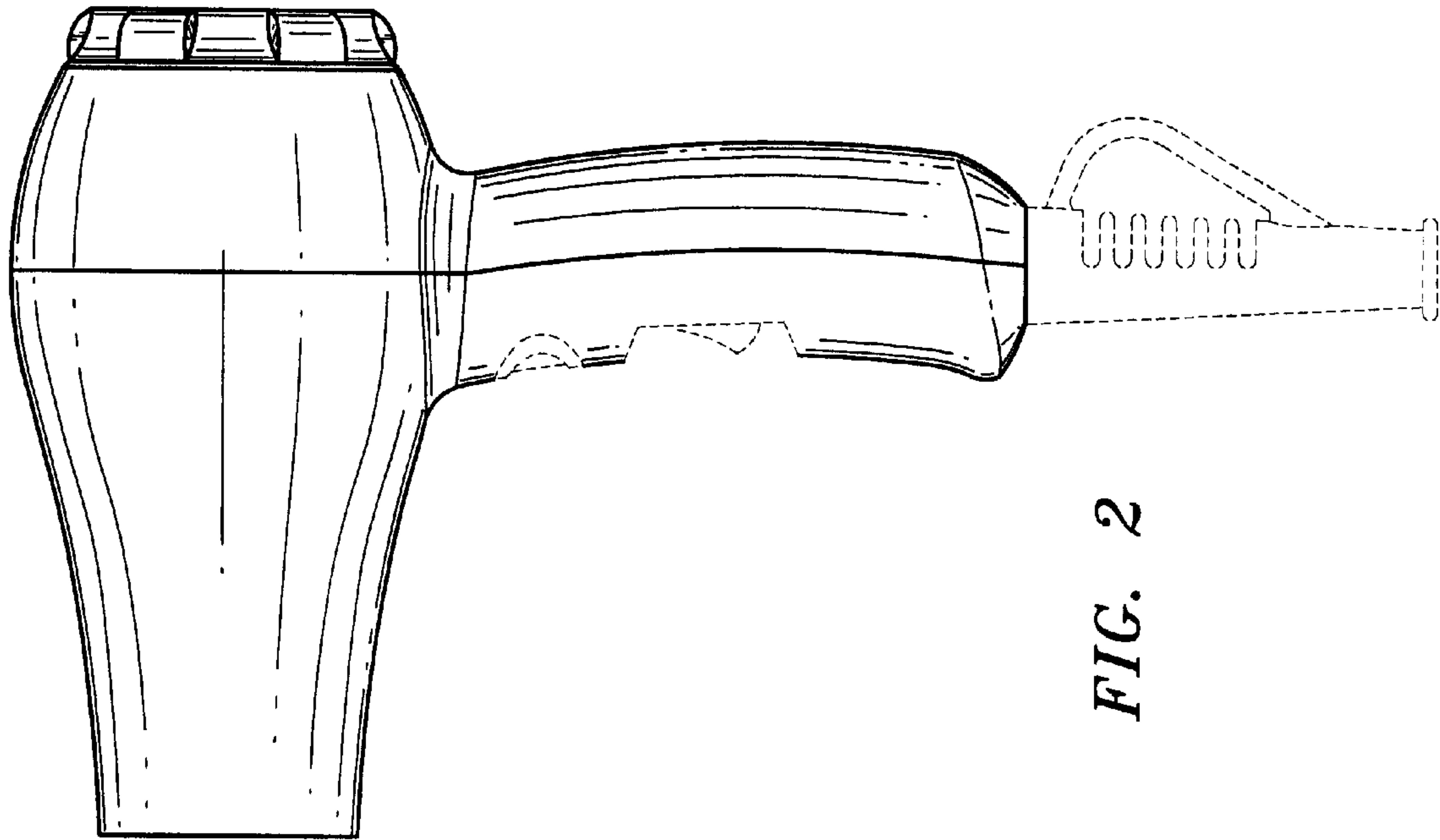


FIG. 2

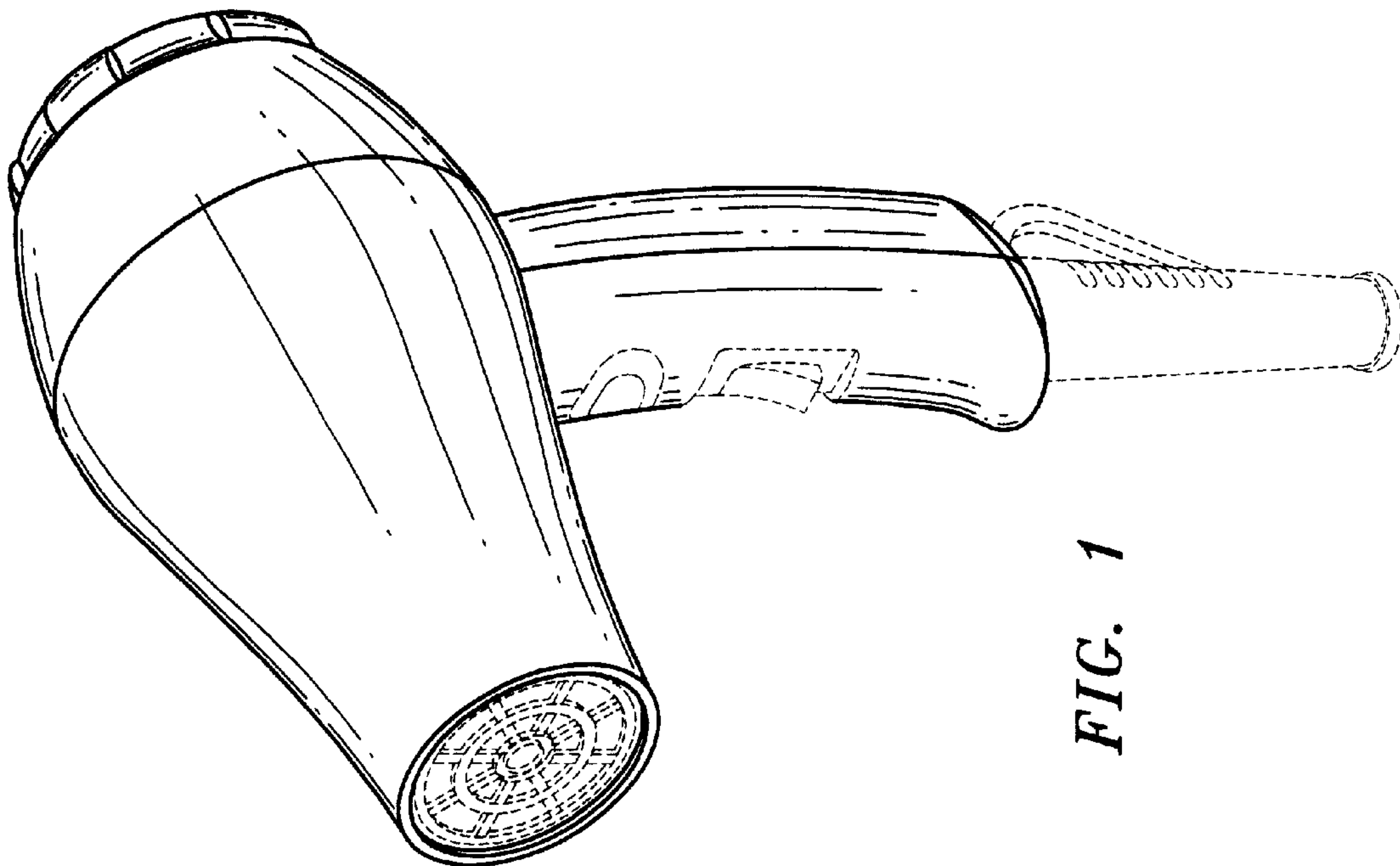
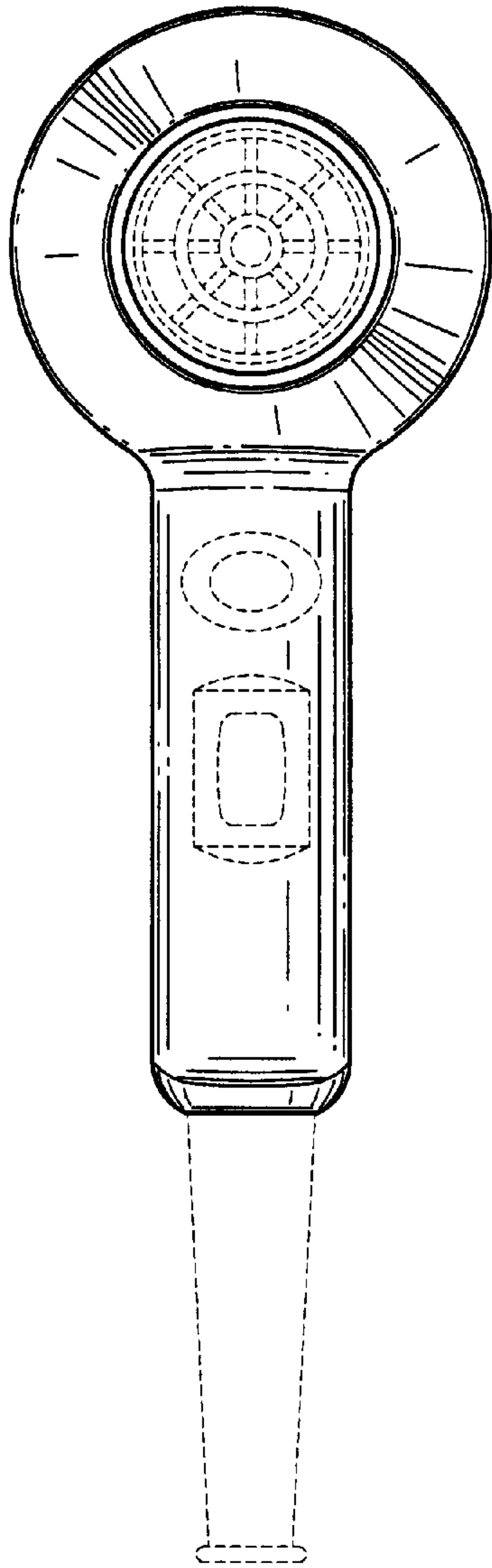
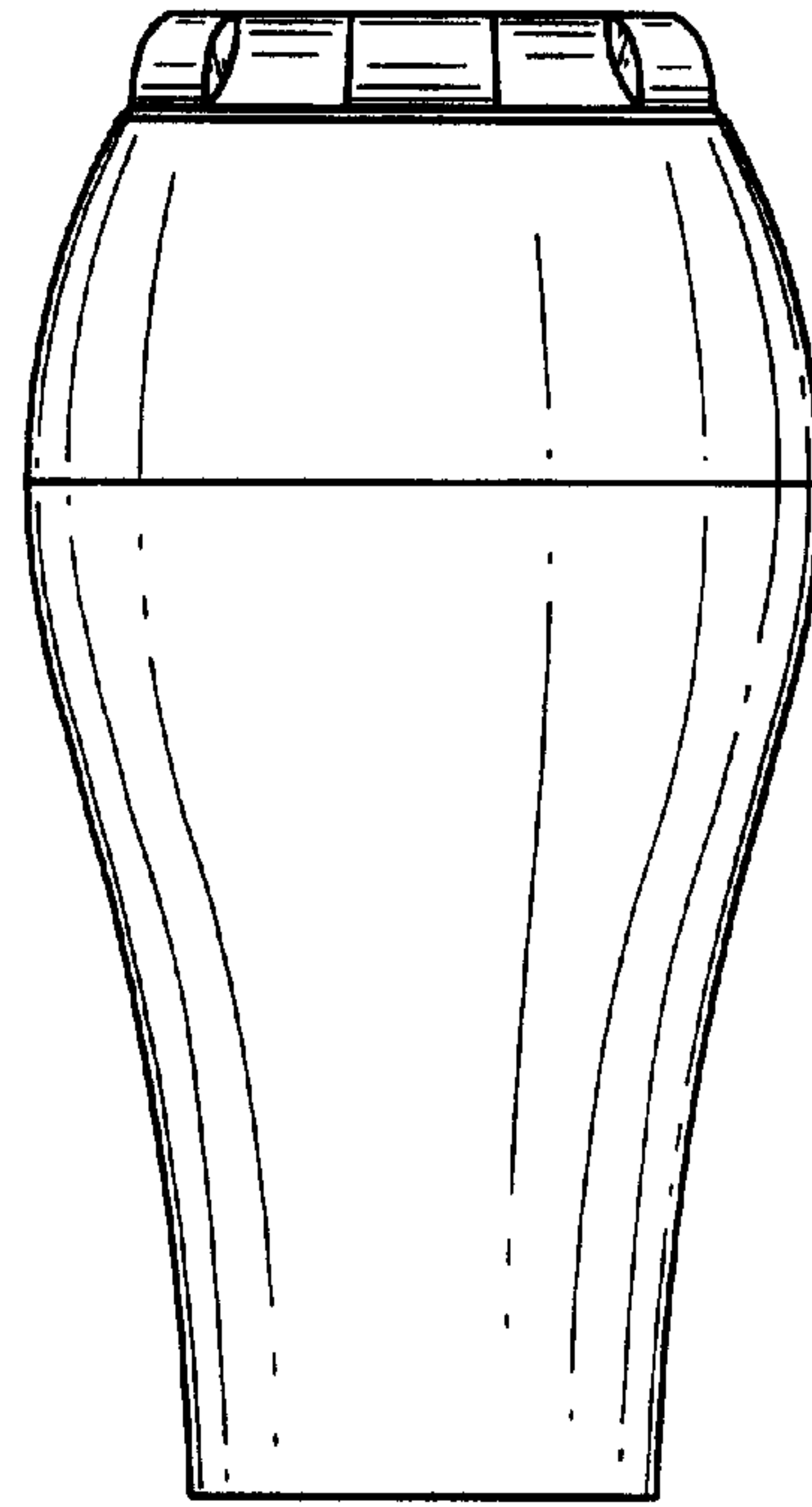


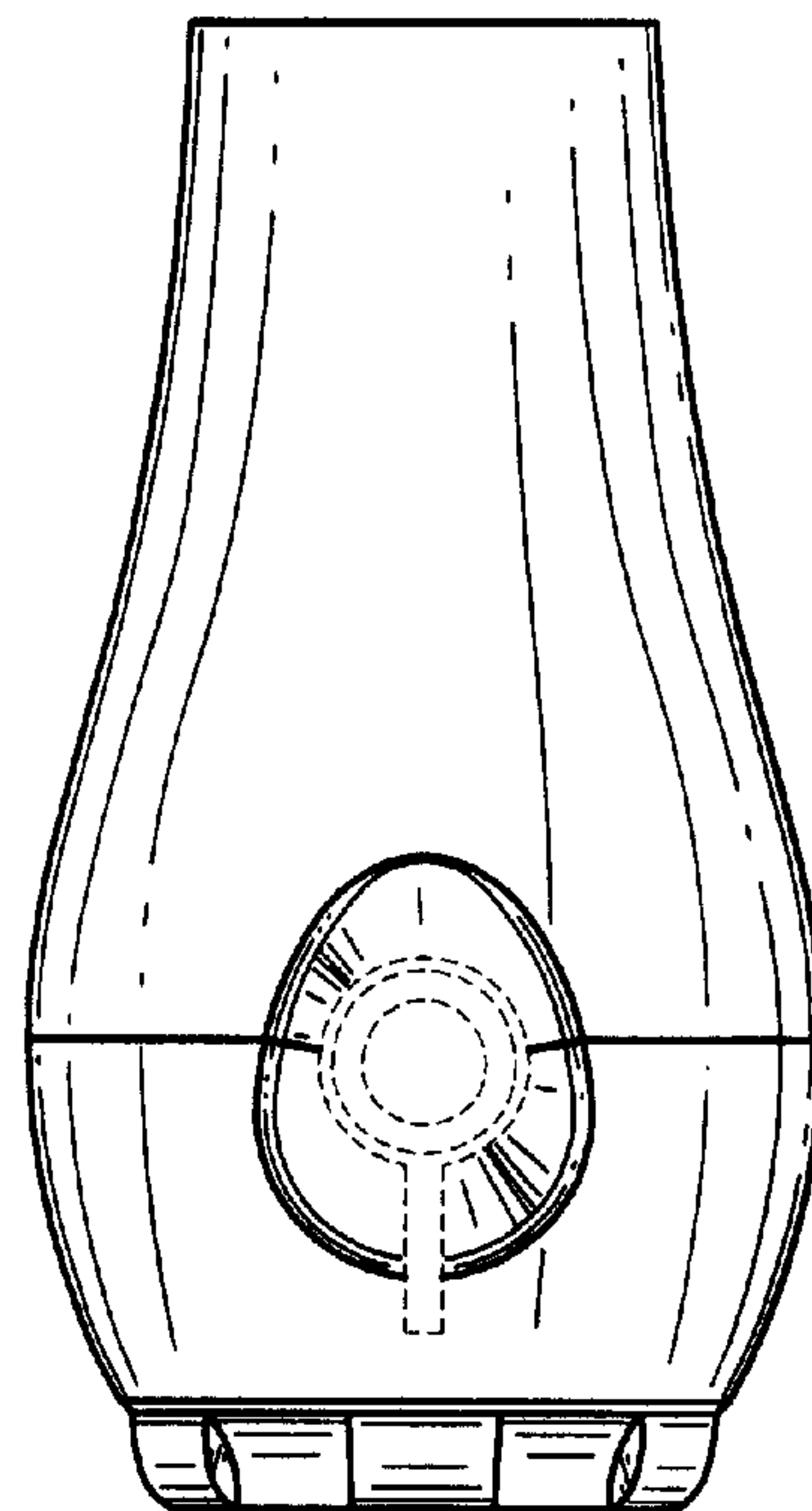
FIG. 1



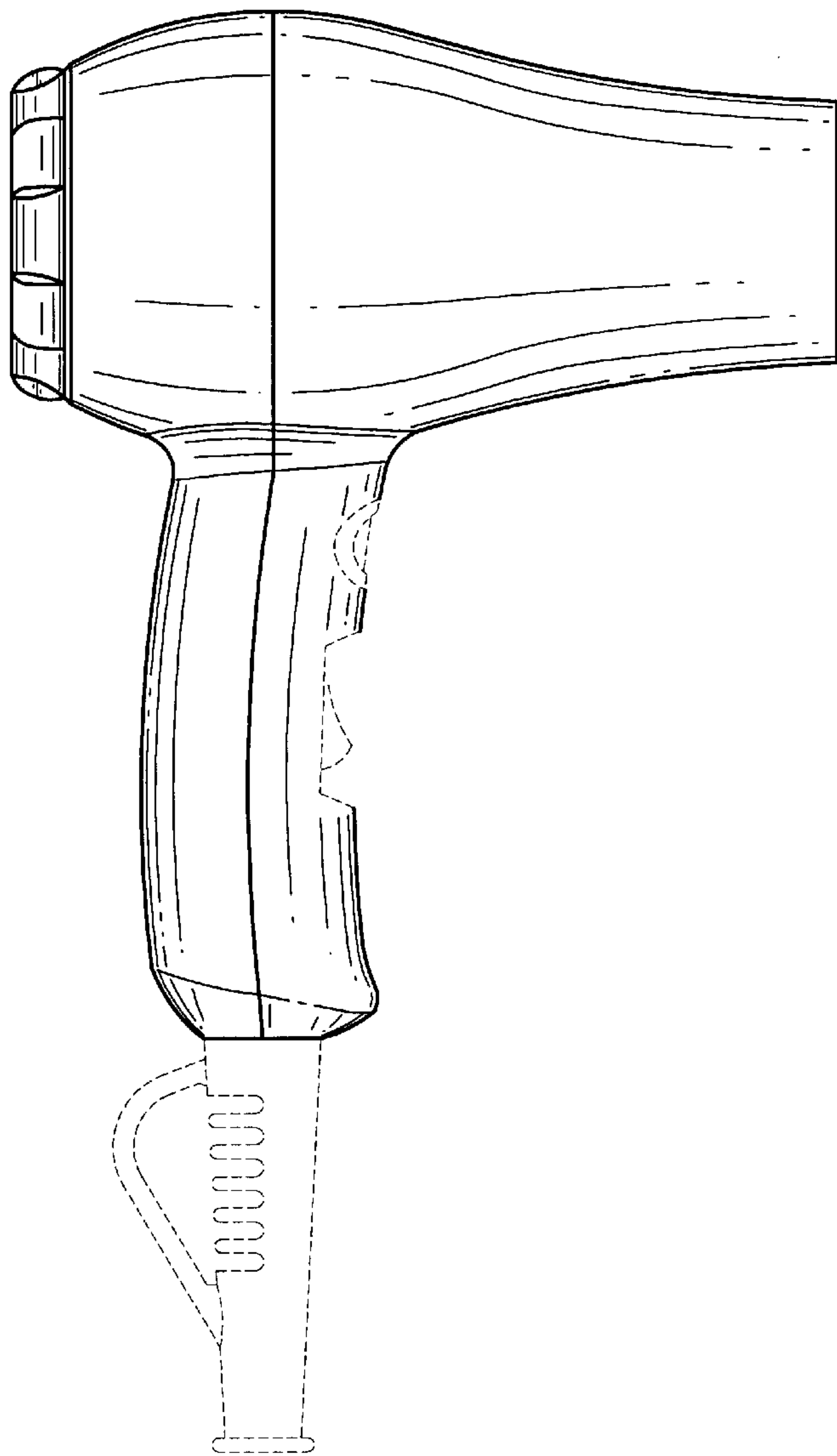
*FIG. 3*



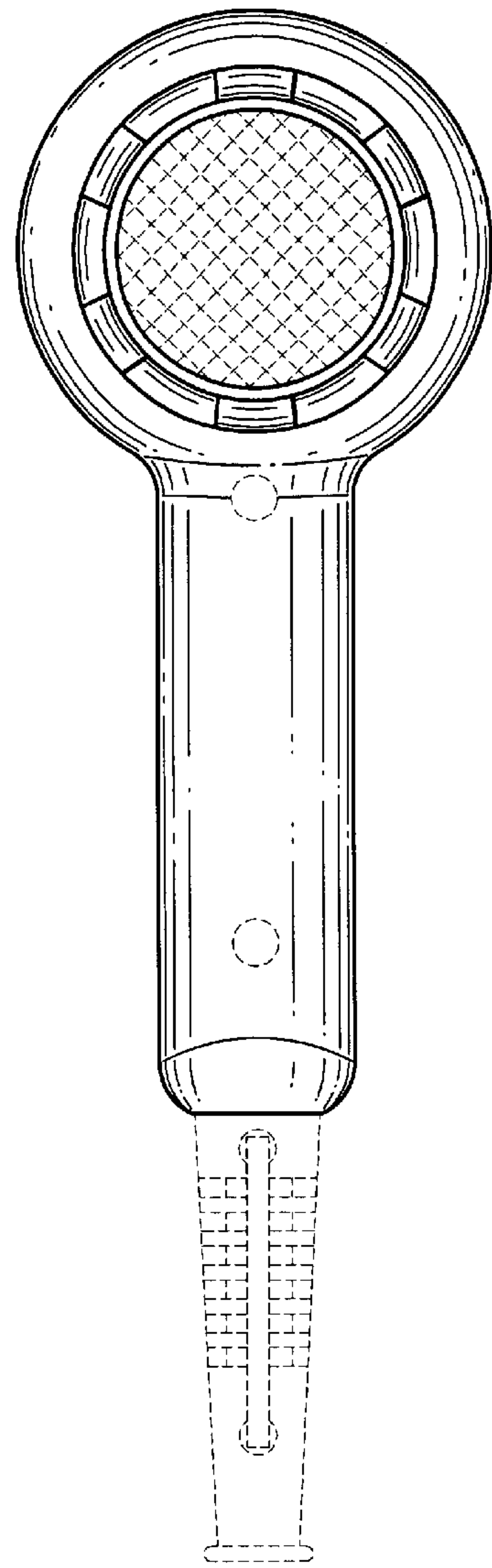
*FIG. 4*



*FIG. 5*



*FIG. 6*



*FIG. 7*