



US00D544139S

(12) **United States Design Patent**
Hargreaves

(10) **Patent No.:** **US D544,139 S**

(45) **Date of Patent:** **** Jun. 5, 2007**

(54) **FULL SPECTRUM HORTICULTURE LIGHT REFLECTOR**

2002/0141195 A1 * 10/2002 Peter 362/362

(75) Inventor: **Craig Hargreaves**, Vancouver, WA (US)

(73) Assignee: **IP Holdings, LLC**, Vancouver, WA (US)

(**) Term: **14 Years**

(21) Appl. No.: **29/234,116**

(22) Filed: **Jul. 14, 2005**

(51) **LOC (8) Cl.** **26-03**

(52) **U.S. Cl.** **D26/118; D26/76; D26/78**

(58) **Field of Classification Search** D26/75-78, D26/73, 118; 362/1, 2, 147, 217, 218, 219, 362/221-224, 294, 345, 373, 614, 805, 806, 362/807

See application file for complete search history.

(56) **References Cited**

U.S. PATENT DOCUMENTS

D187,337 S	*	3/1960	Arnold	D26/76
D259,738 S	*	6/1981	Boschetti	D24/210
D311,597 S	*	10/1990	Poot	D26/118
5,195,822 A	*	3/1993	Takahashi et al.	362/296
5,440,470 A	*	8/1995	Ly	362/341
D400,289 S	*	10/1998	Wardenburg et al.	D26/118
6,024,468 A	*	2/2000	Kassay et al.	362/260
D428,516 S	*	7/2000	Reo et al.	D26/118
D430,688 S	*	9/2000	Plunk	D26/76
D465,869 S	*	11/2002	Bodell	D26/78
6,595,662 B2	*	7/2003	Wardenburg	362/362
6,908,212 B2	*	6/2005	Schultz	362/217

OTHER PUBLICATIONS

New Wave T5 High Output Fluorescent Grow Light 4ft 4 Lamp, fixture form Bustan Urban Gardening Essentials. Found online at bustan.ca.com on Dec. 16, 2006.*

* cited by examiner

Primary Examiner—Clare E Heflin

(74) *Attorney, Agent, or Firm*—Robert J. Ireland

(57) **CLAIM**

The ornamental design for a full spectrum horticulture light reflector, as shown and described.

DESCRIPTION

FIG. 1 is a perspective view of the embodiment of the full spectrum horticulture light reflector according to the new and unique ornamental design;

FIG. 2 is a left side view of the full spectrum horticulture light reflector as shown in FIG. 1, further showing the new design;

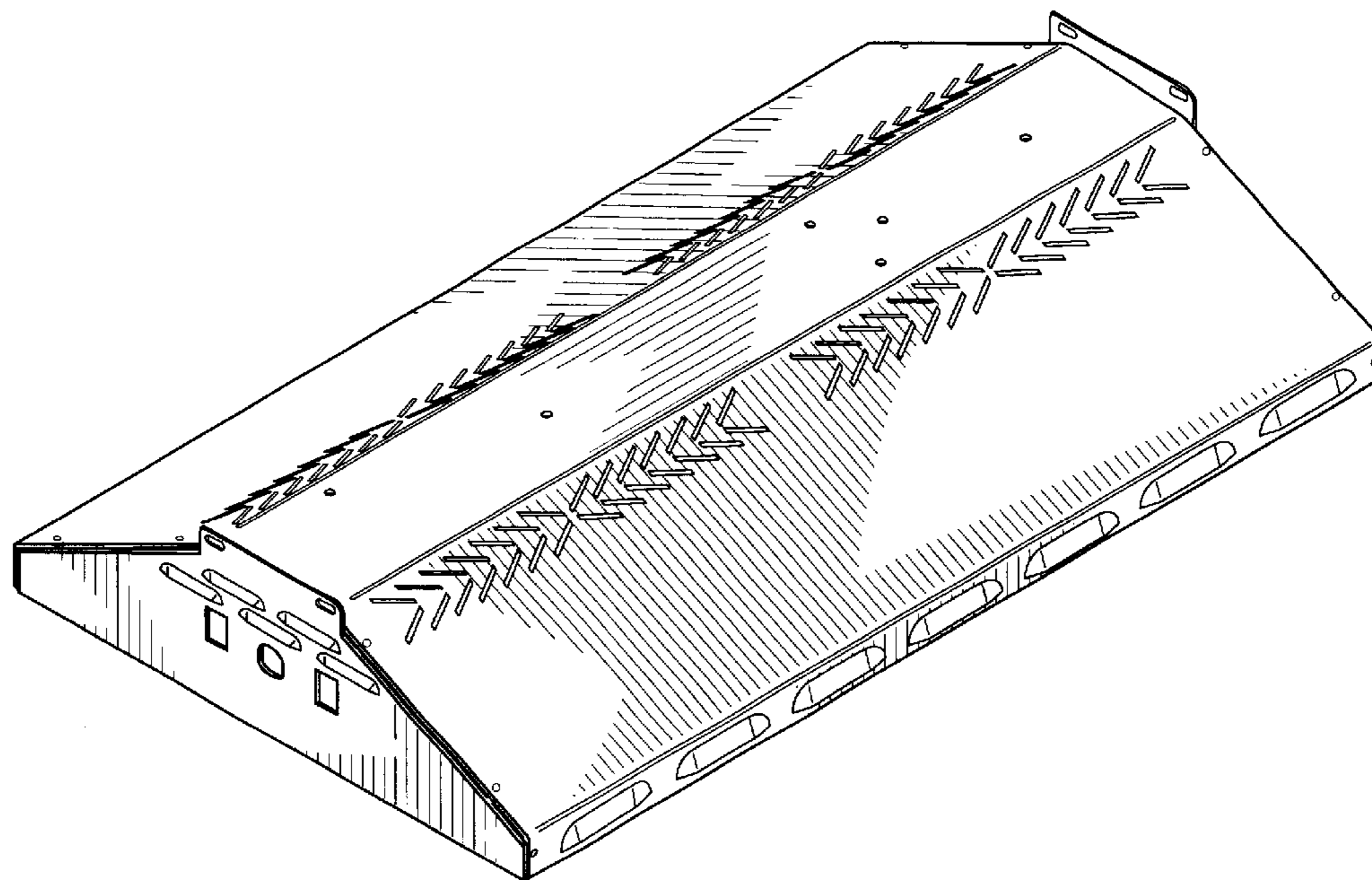
FIG. 3 is a right side view of the full spectrum horticulture light reflector as shown in FIG. 1 further showing the new design;

FIG. 4 is a front view of the full spectrum horticulture light reflector as shown in FIG. 1, the back view being a mirror image thereof;

FIG. 5 is a bottom view of the full spectrum horticulture light reflector as shown in FIG. 1 further showing the new design; and,

FIG. 6 is a top view of the full spectrum horticulture light reflector as shown in FIG. 1 further showing the new design.

1 Claim, 6 Drawing Sheets



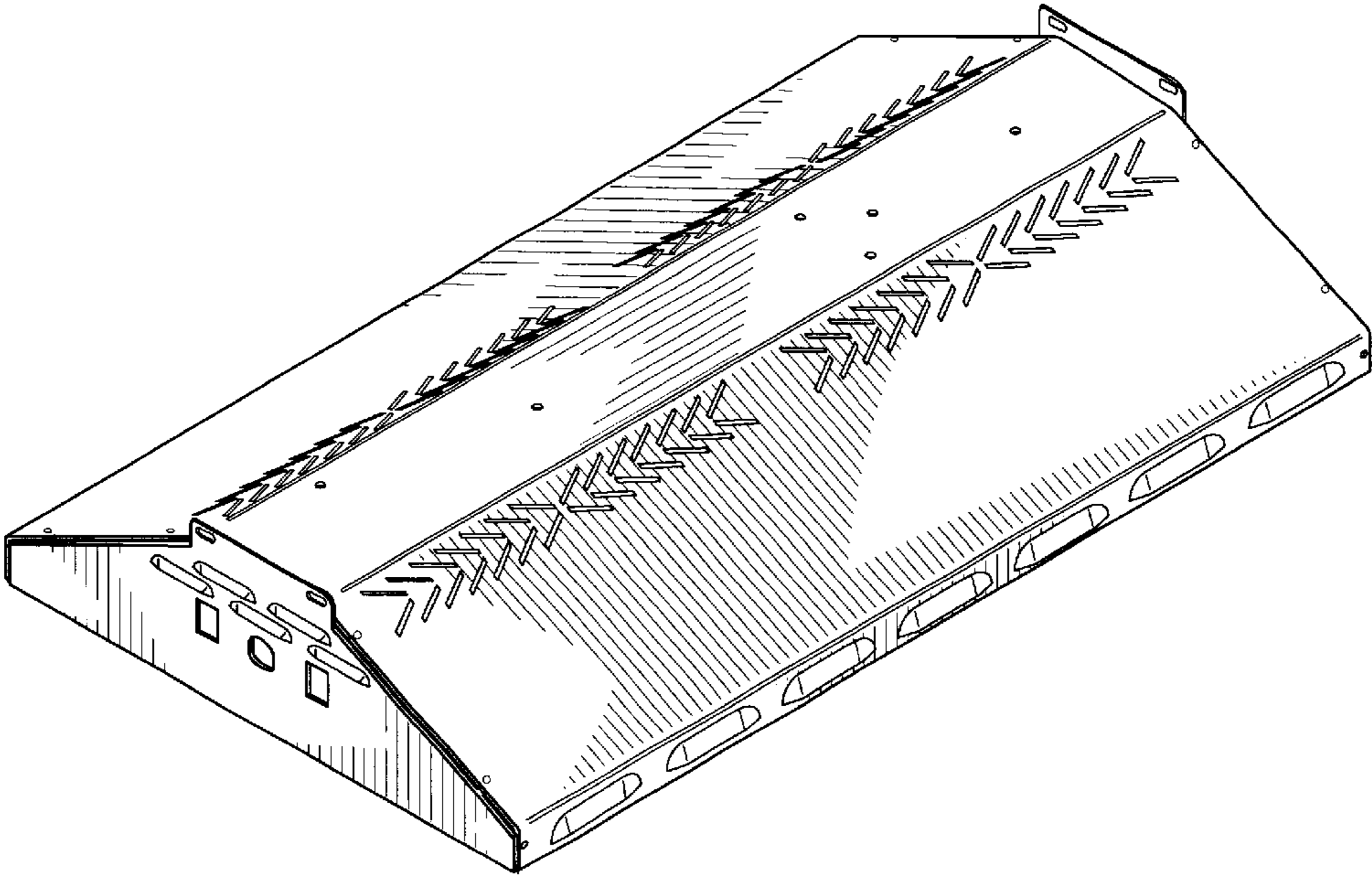


FIG. 1

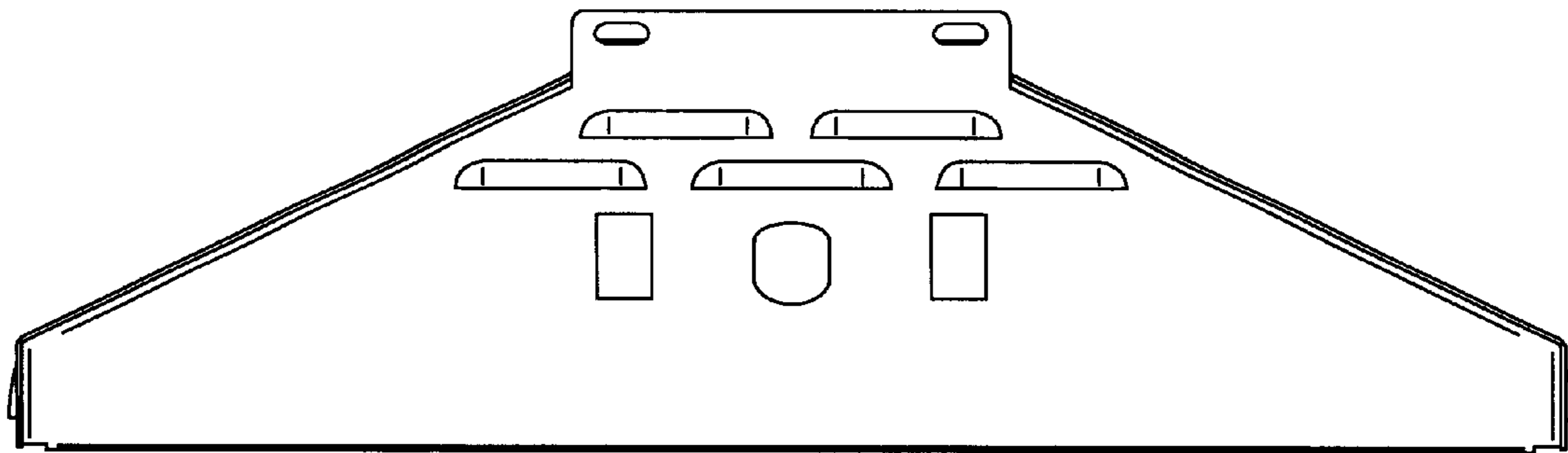


FIG. 2

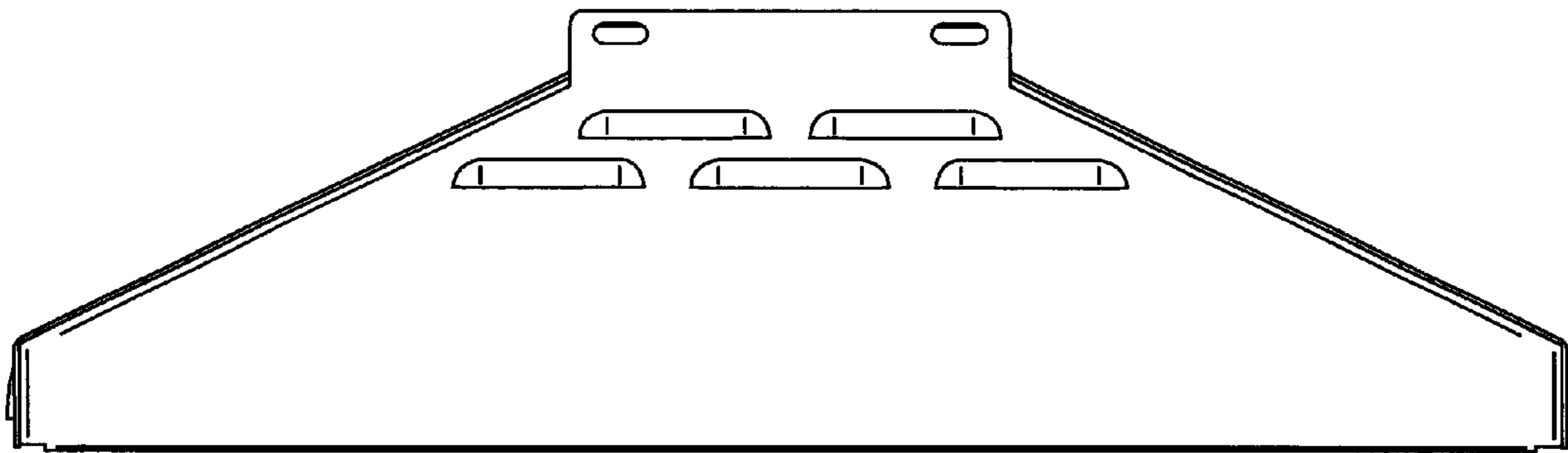


FIG. 3

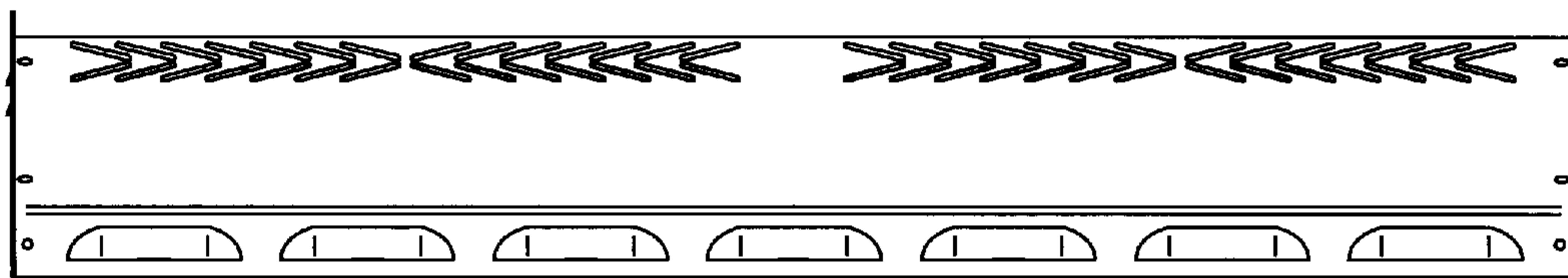


FIG. 4

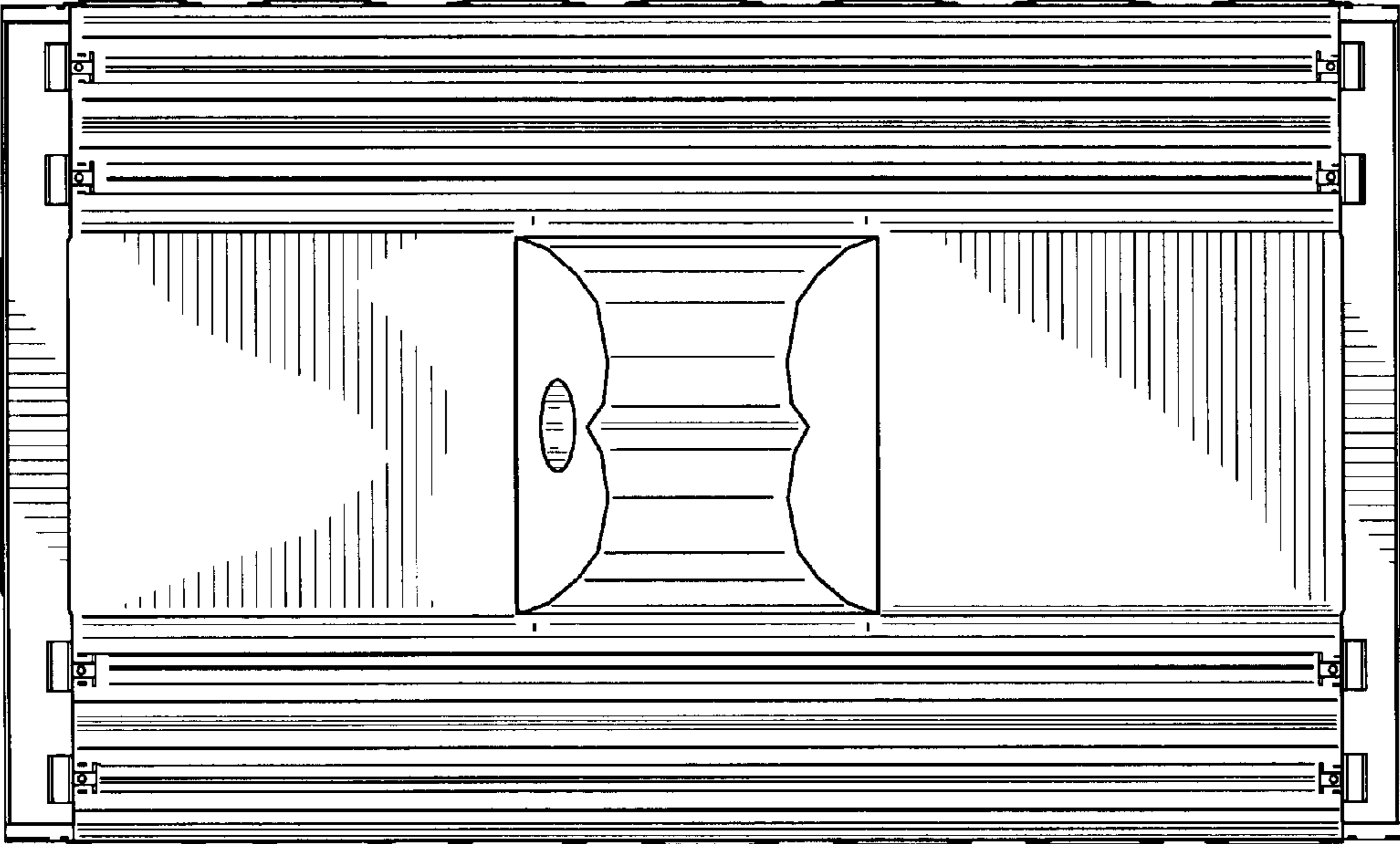


FIG. 5

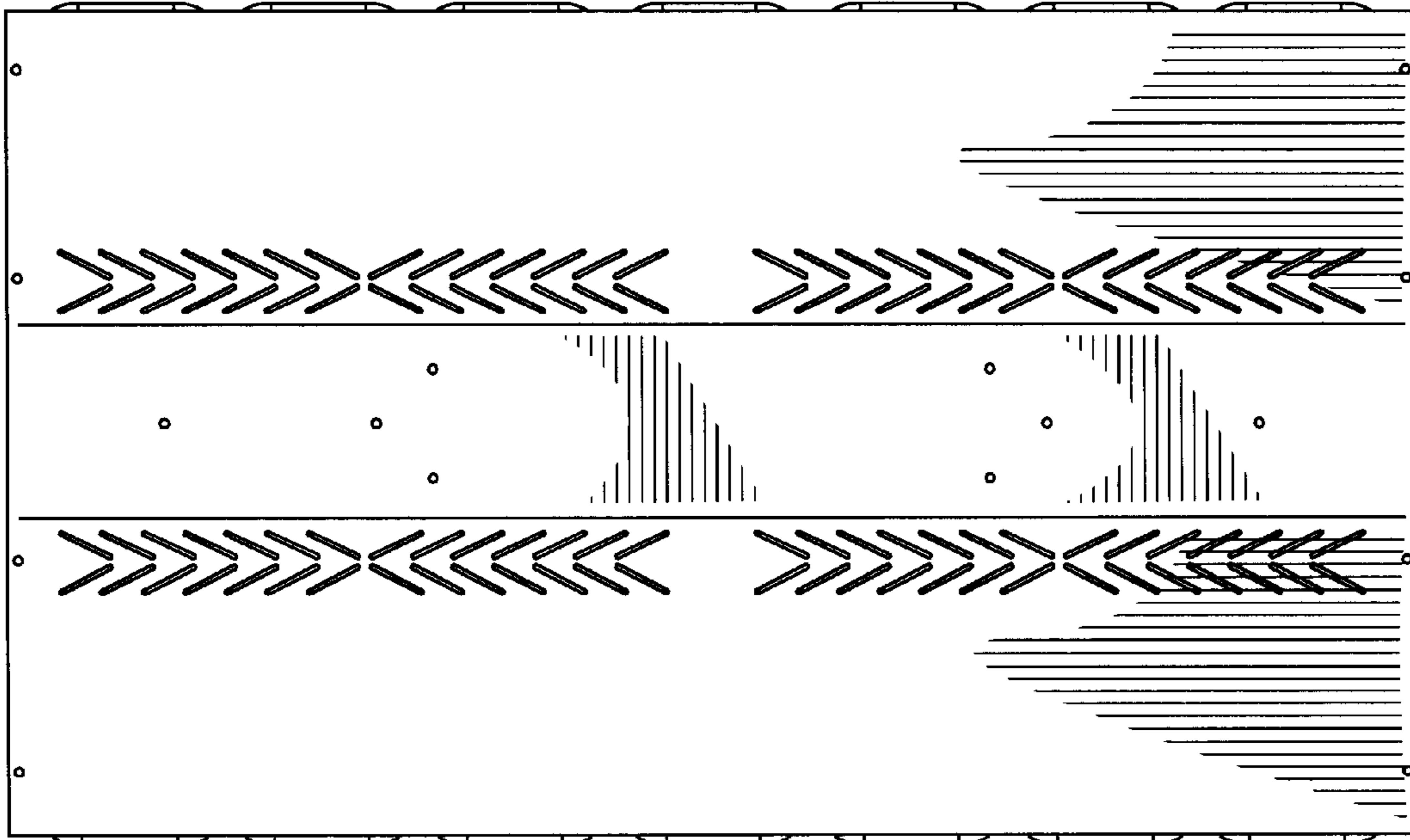


FIG. 6