

US00D544136S

(12) **United States Design Patent**  
**Hargreaves**

(10) **Patent No.:** **US D544,136 S**

(45) **Date of Patent:** **\*\* Jun. 5, 2007**

(54) **REFLECTOR**

(75) Inventor: **Craig Hargreaves**, Vancouver, WA  
(US)

(73) Assignee: **IP Holdings, LLC**, Vancouver, WA  
(US)

(\*\*) Term: **14 Years**

(21) Appl. No.: **29/216,817**

(22) Filed: **Nov. 10, 2004**

(51) **LOC (8) Cl.** ..... **26-99**

(52) **U.S. Cl.** ..... **D26/118**

(58) **Field of Classification Search** ..... D26/120,  
D26/72, 75, 85, 113, 118, 119, 128, 3, 24,  
D26/42; 362/260, 294, 317, 362, 368, 217,  
362/219, 257

See application file for complete search history.

(56) **References Cited**

**U.S. PATENT DOCUMENTS**

D85,382 S *	10/1931	Guth	.....	D26/24
2,194,841 A *	3/1940	Welch	.....	362/217
3,025,391 A *	3/1962	Golko	.....	362/221
D193,802 S *	10/1962	Thomsen et al.	.....	D26/128
3,125,301 A *	3/1964	Stotter	.....	362/217
4,669,033 A *	5/1987	Lee	.....	362/217
4,933,821 A *	6/1990	Anderson	.....	362/223
5,192,129 A *	3/1993	Figueroa	.....	362/346
5,570,947 A *	11/1996	Felland	.....	362/148

D376,437 S *	12/1996	Karlo et al.	.....	D26/28
D399,328 S *	10/1998	Compton	.....	D26/72
D415,304 S *	10/1999	Brown	.....	D26/87
D418,626 S *	1/2000	Herst et al.	.....	D26/118
6,053,624 A *	4/2000	Cronk	.....	362/347
D445,943 S *	7/2001	Littman	.....	D26/87
6,257,735 B1 *	7/2001	Baar	.....	362/217
D447,272 S *	8/2001	Smith	.....	D26/118
D456,938 S *	5/2002	Wardenburg	.....	D26/118

\* cited by examiner

*Primary Examiner*—Freda S. Nunn

*Assistant Examiner*—Kevin K. Rudzinski

(74) *Attorney, Agent, or Firm*—Robert J. Ireland

(57) **CLAIM**

The ornamental design for a reflector, as shown and described.

**DESCRIPTION**

FIG. 1 is a perspective view of the reflector, and according to the new and unique design;

FIG. 2 is a top view of the reflector of FIG. 1;

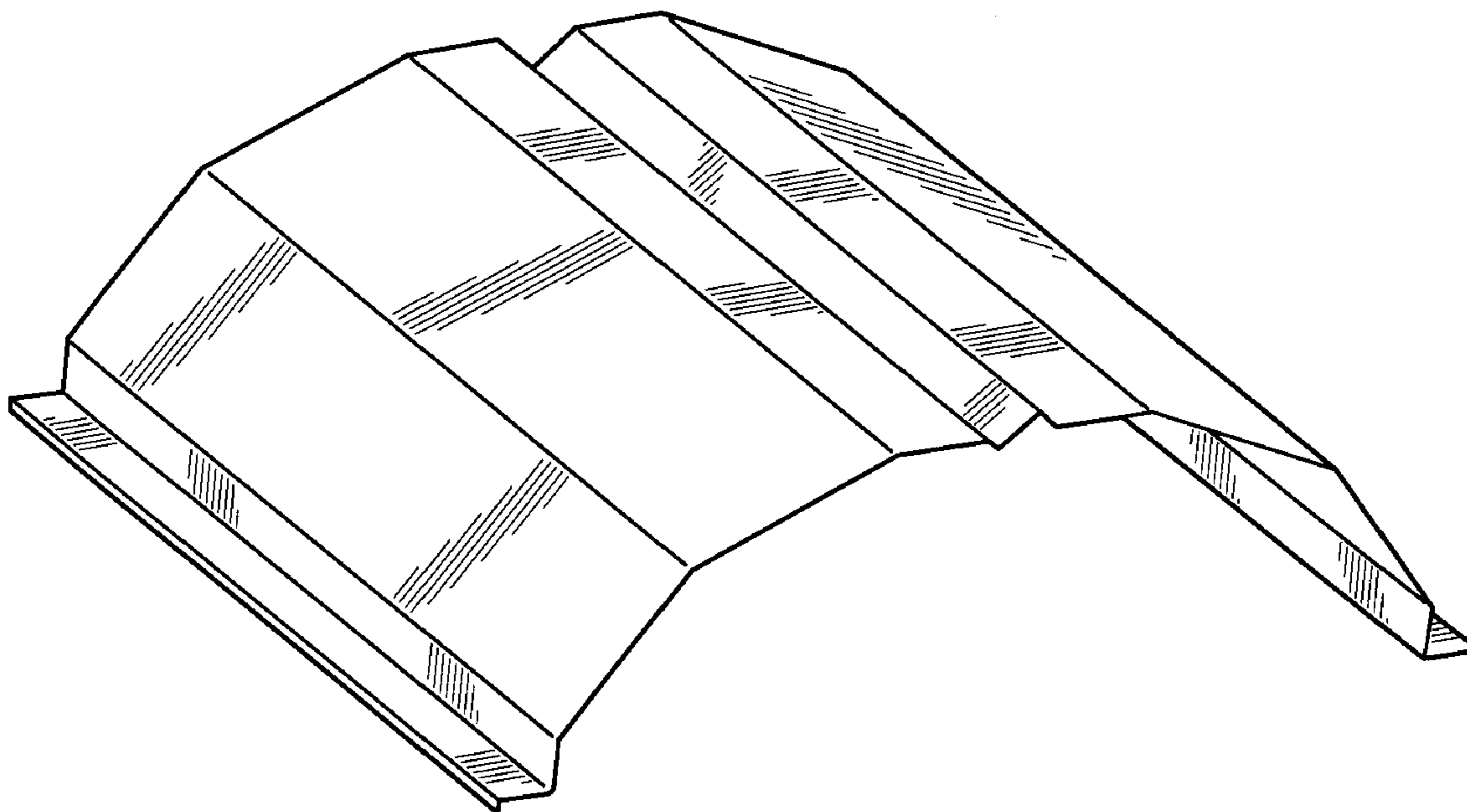
FIG. 3 is a right side view of the reflector of FIG. 1, the left side being a mirror image thereof;

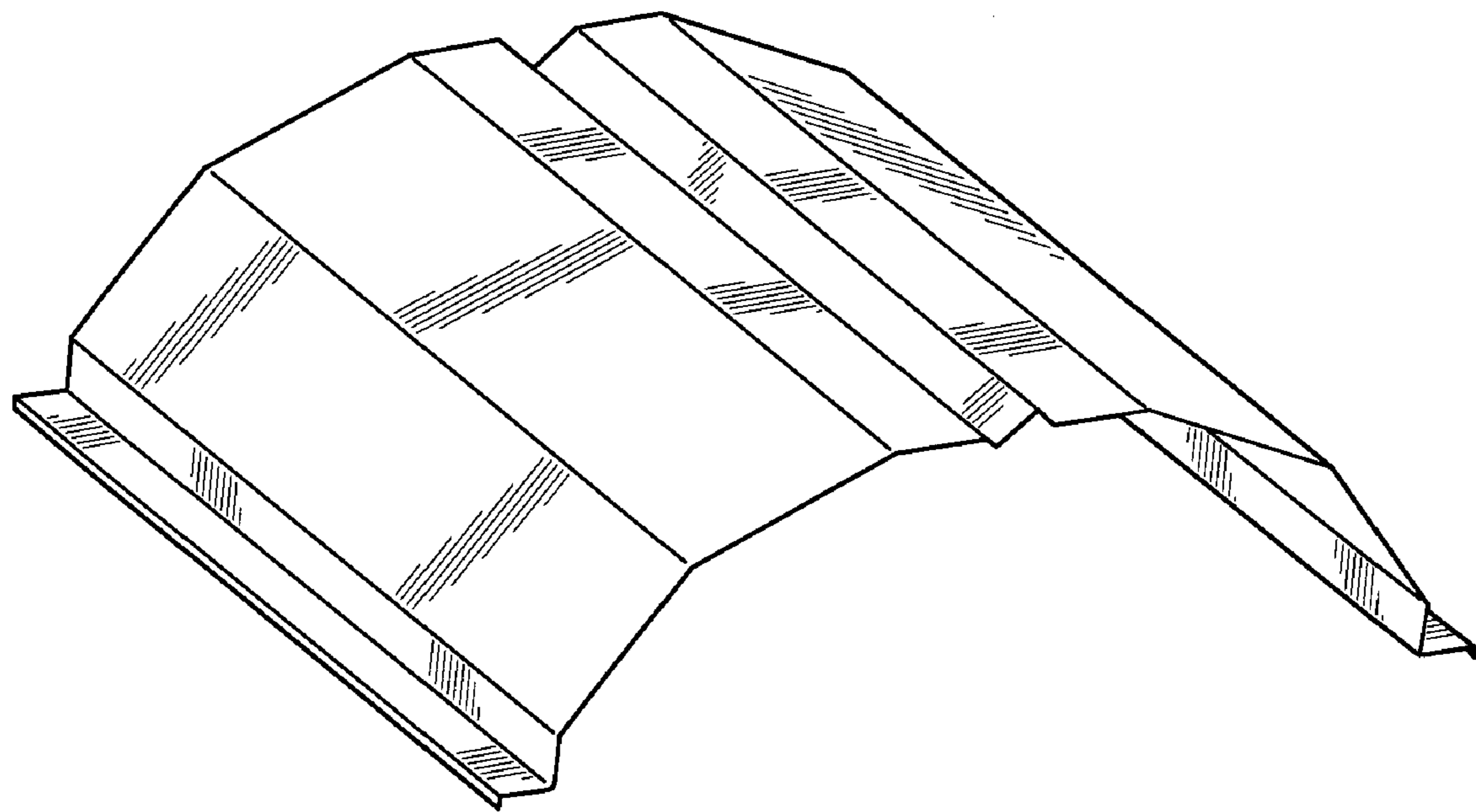
FIG. 4 is a front view of the reflector of FIG. 1;

FIG. 5 is a rear view of the reflector of FIG. 1; and,

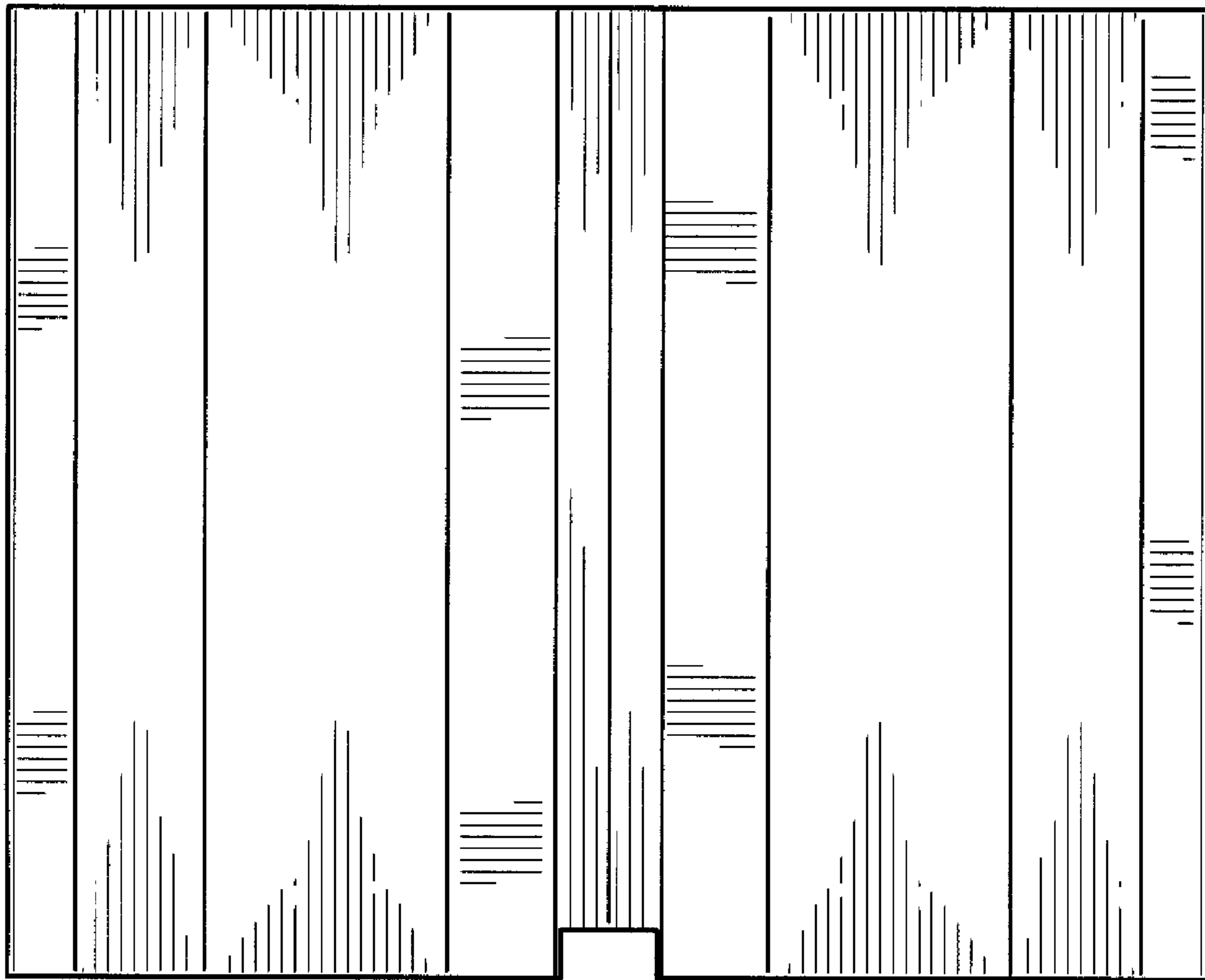
FIG. 6 is a bottom view of the reflector of FIG. 1;

**1 Claim, 6 Drawing Sheets**

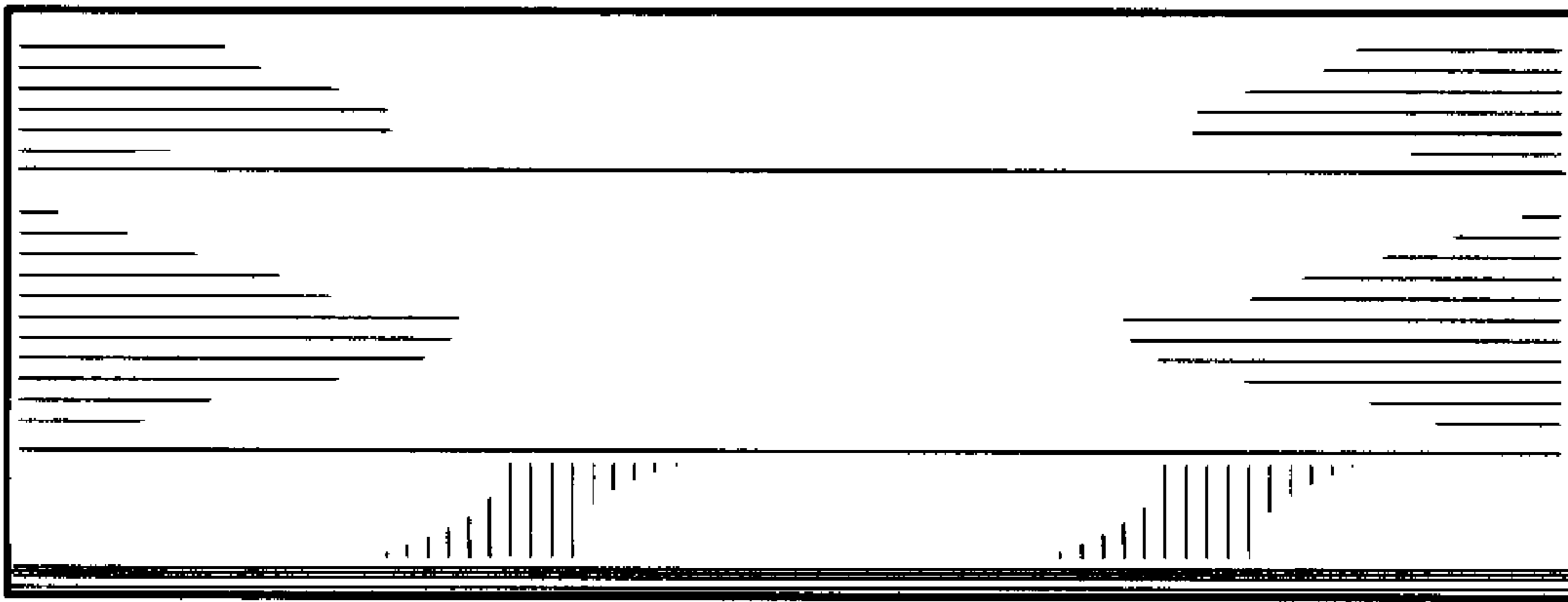




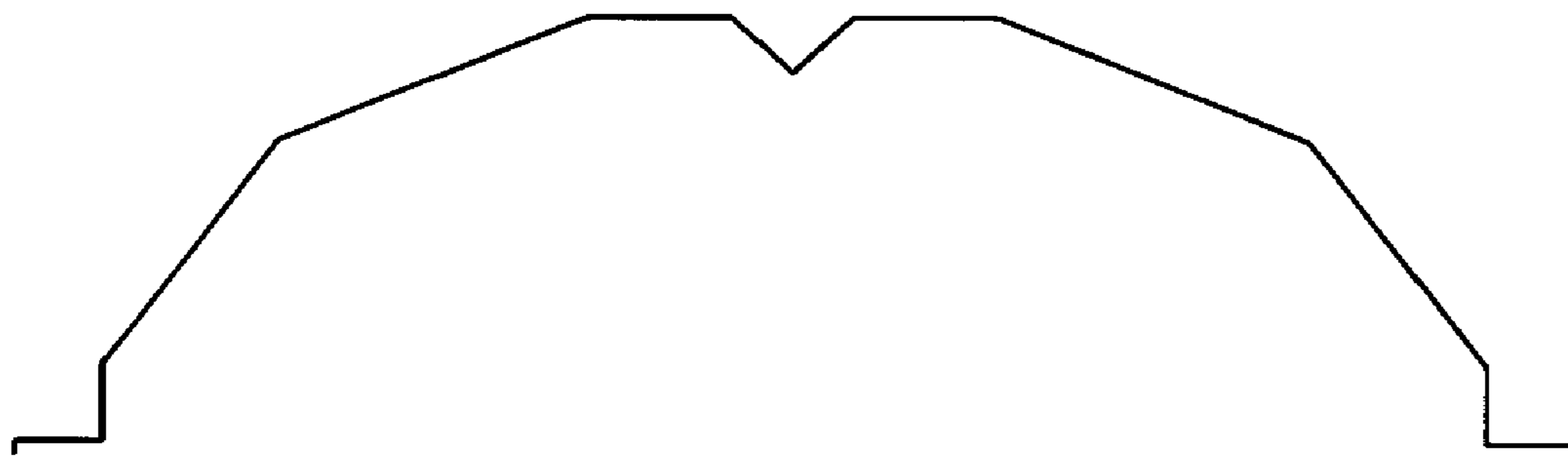
**FIG. 1**



**FIG. 2**



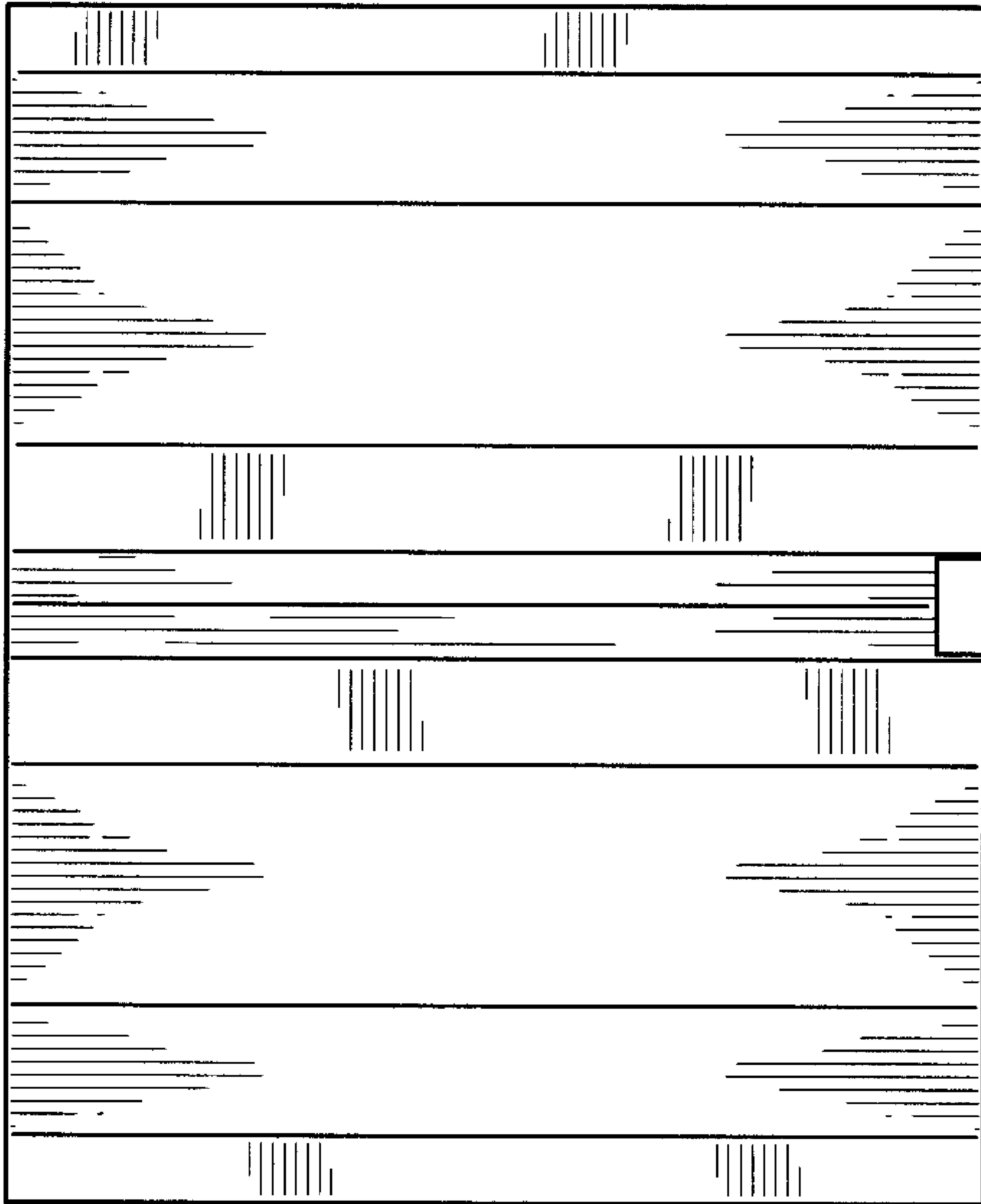
**FIG. 3**



**FIG. 4**



**FIG. 5**



**FIG. 6**