



US00D544133S

(12) **United States Design Patent**
Kovac

(10) **Patent No.:** **US D544,133 S**
(45) **Date of Patent:** **** Jun. 5, 2007**

(54) **LAMP**

(75) Inventor: **Jerry Michael Kovac**, Pacific Palisades, CA (US)

(73) Assignee: **Futureboy, LLC**, Los Angeles, CA (US)

(**) Term: **14 Years**

(21) Appl. No.: **29/247,752**

(22) Filed: **Jul. 10, 2006**

(51) **LOC (8) Cl.** **26-03**

(52) **U.S. Cl.** **D26/93**

(58) **Field of Classification Search** D26/62,
D26/93-112, 63; 362/410-415, 806, 808,
362/253

See application file for complete search history.

(56) **References Cited**

U.S. PATENT DOCUMENTS

D301,635 S * 6/1989 Bellini et al. D26/98
D303,158 S * 8/1989 Charet et al. D26/60

* cited by examiner

Primary Examiner—Alan P. Douglas

Assistant Examiner—Linda Brooks

(74) *Attorney, Agent, or Firm*—Michael Blaine Brooks P.C.;
Michael B. Brooks; Rosemarie F. Jones

(57) **CLAIM**

The ornamental design for a lamp, as shown and described.

DESCRIPTION

FIG. 1 is a front-top-right perspective view of a first lamp embodiment showing my new design;

FIG. 2 is a back-top-left perspective view thereof;

FIG. 3 is a top view thereof;

FIG. 4 is a right side elevational view thereof;

FIG. 5 is a bottom view thereof;

FIG. 6 is a left side elevational view thereof;

FIG. 7 is a front view thereof; and

FIG. 8 is a back view thereof.

FIG. 9 is a front-top-right perspective view of a second lamp embodiment showing my new design;

FIG. 10 is a back-top-left perspective view thereof;

FIG. 11 is a top view thereof;

FIG. 12 is a right side elevational view thereof;

FIG. 13 is a bottom view thereof;

FIG. 14 is a left side elevational view thereof;

FIG. 15 is a front view thereof; and

FIG. 16 is a back view thereof.

FIG. 17 is a front-top-right perspective view of a third lamp embodiment showing my new design;

FIG. 18 is a back-top-left perspective view thereof;

FIG. 19 is a top view thereof;

FIG. 20 is a right side elevational view thereof;

FIG. 21 is a bottom view thereof;

FIG. 22 is a left side elevational view thereof;

FIG. 23 is a front view thereof; and

FIG. 24 is a back view thereof.

FIG. 25 is a front-top-right perspective view of a fourth lamp embodiment showing my new design;

FIG. 26 is a back-top-left perspective view thereof;

FIG. 27 is a top view thereof;

FIG. 28 is a right side elevational view thereof;

FIG. 29 is a bottom view thereof;

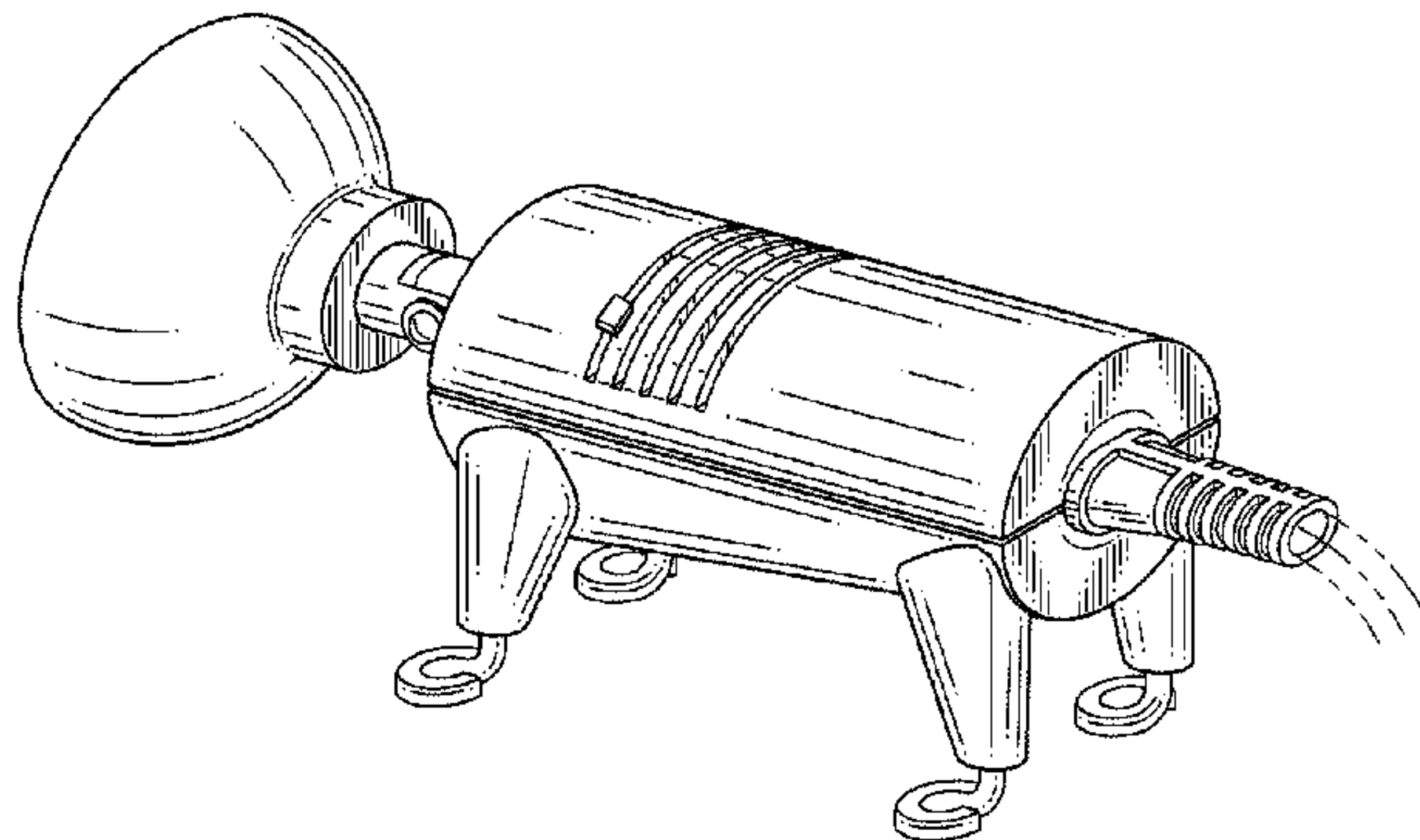
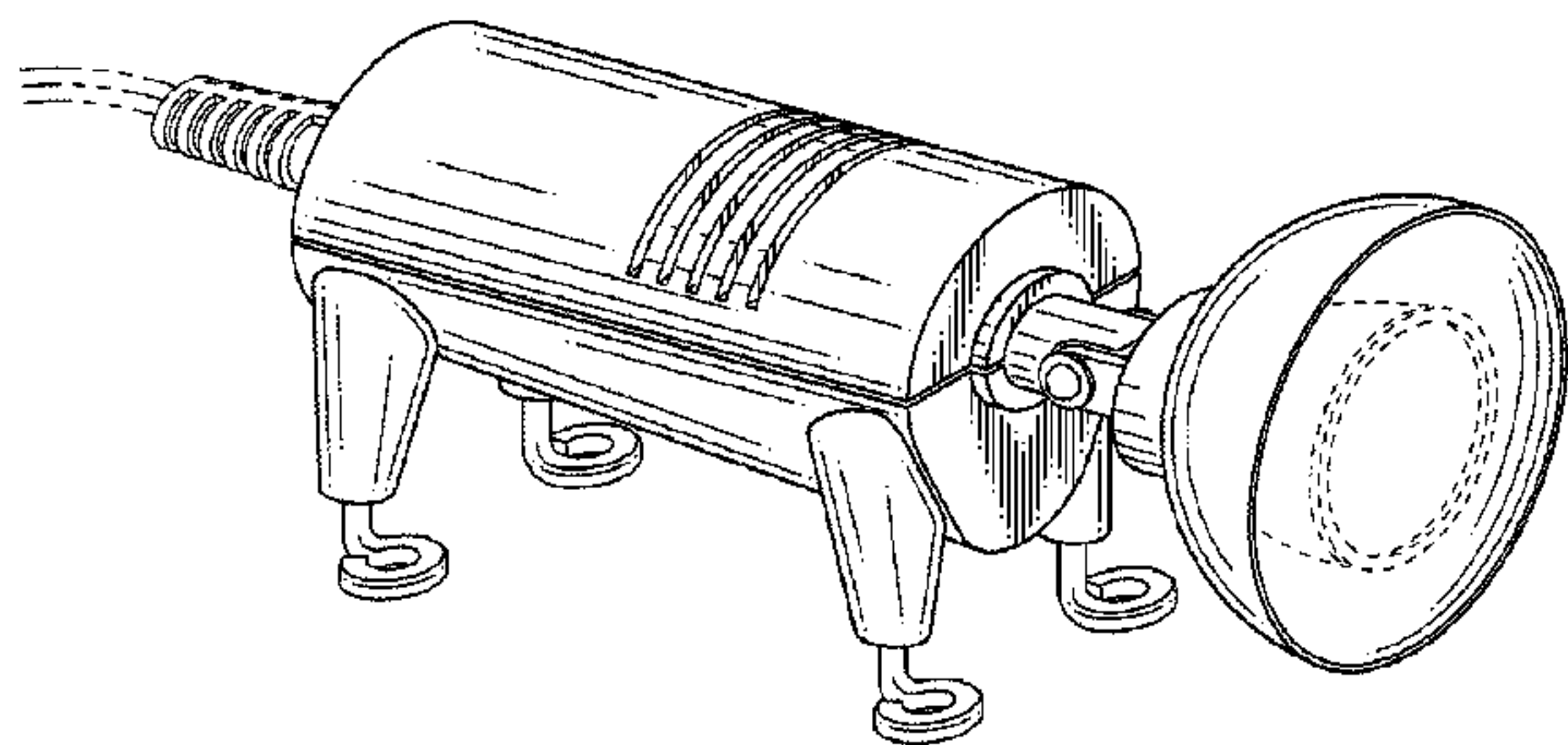
FIG. 30 is a left side elevational view thereof;

FIG. 31 is a front view thereof; and,

FIG. 32 is a back view thereof.

The broken lines showing a light bulb of FIGS. 1, 7, 9, 15, 17, 23, 25, and 31 and the broken lines showing a power cord of FIGS. 1-6 and FIGS. 9-14 are for illustrative purposes only and form no part of the claimed design.

1 Claim, 20 Drawing Sheets



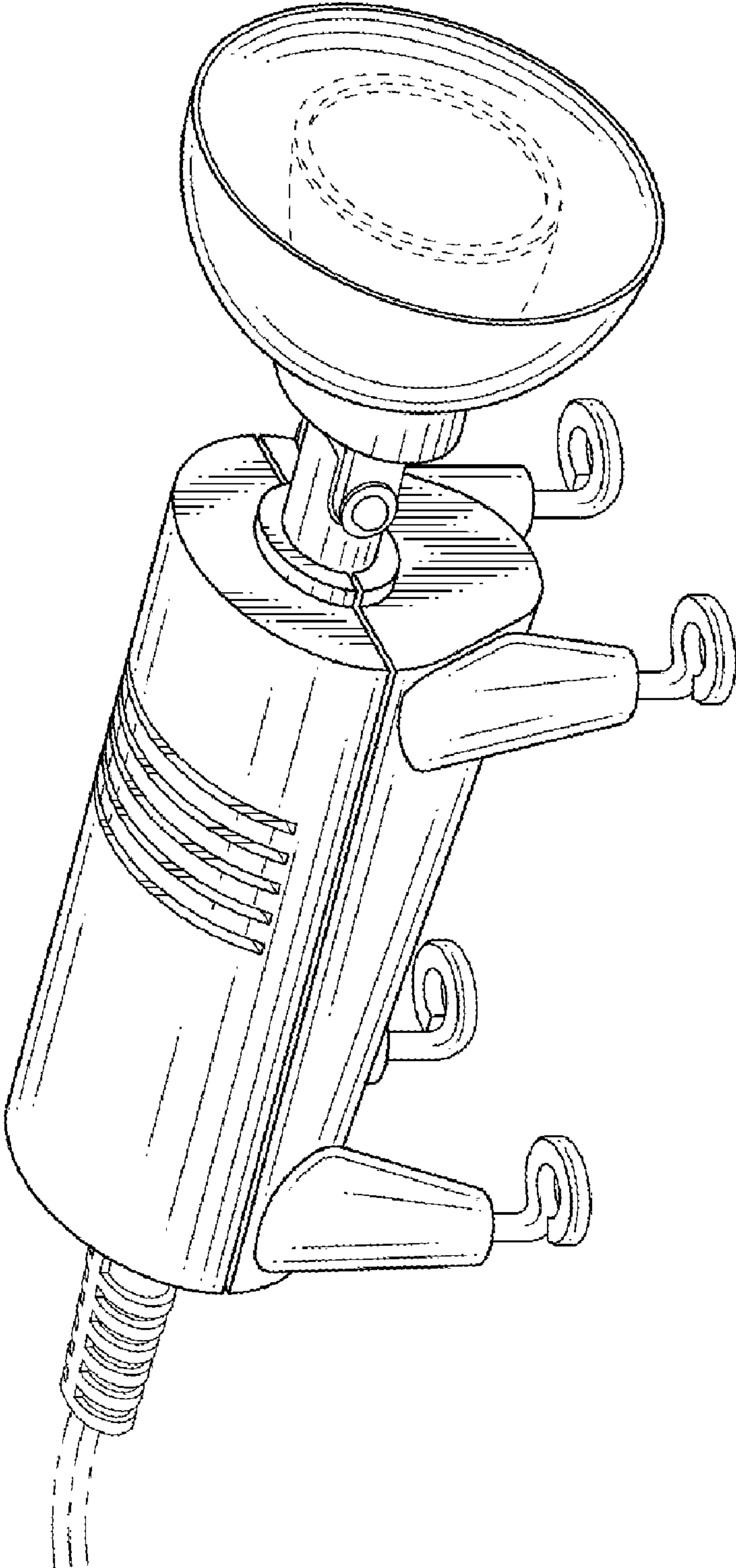


Fig. 1

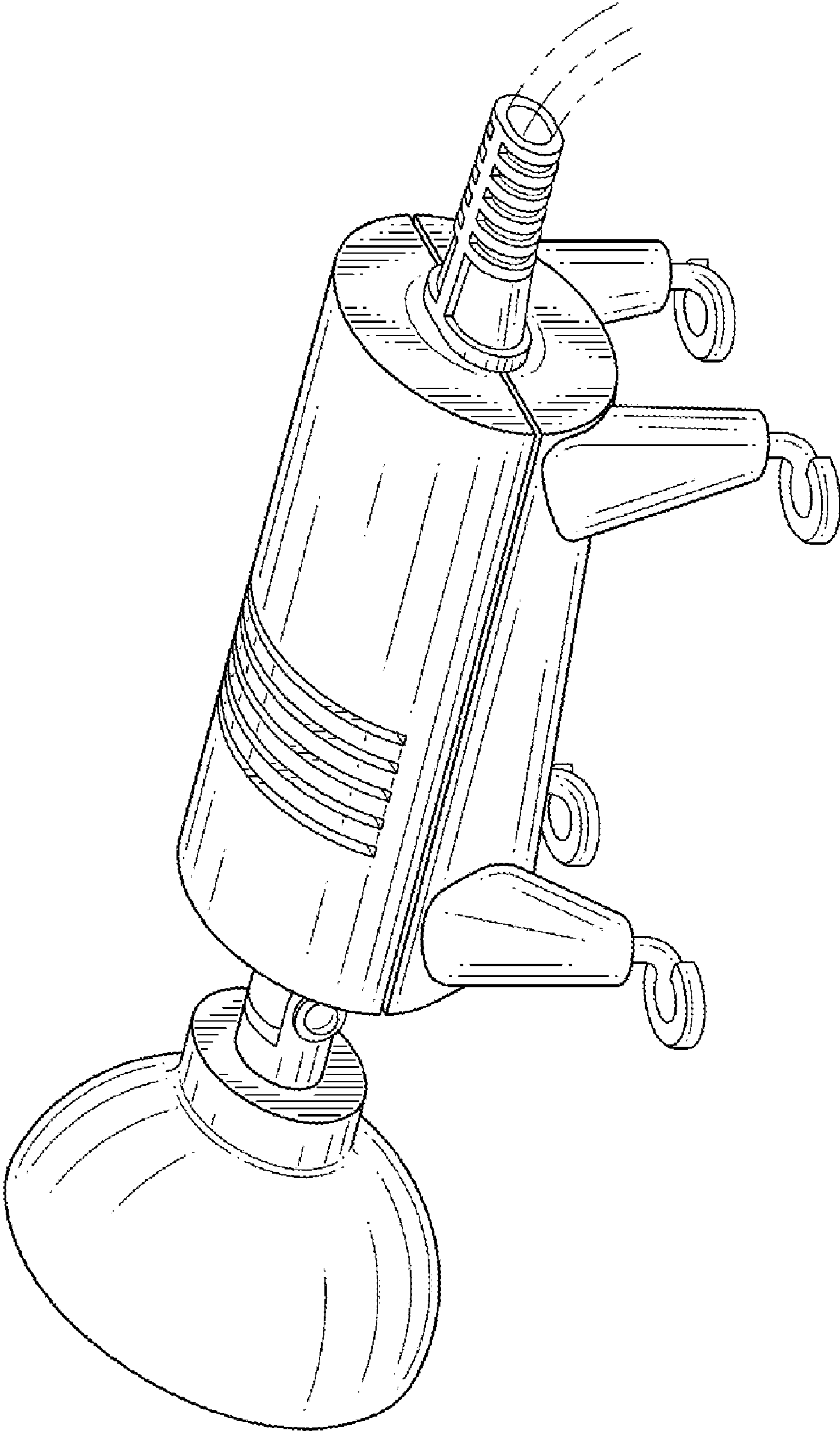


Fig. 2

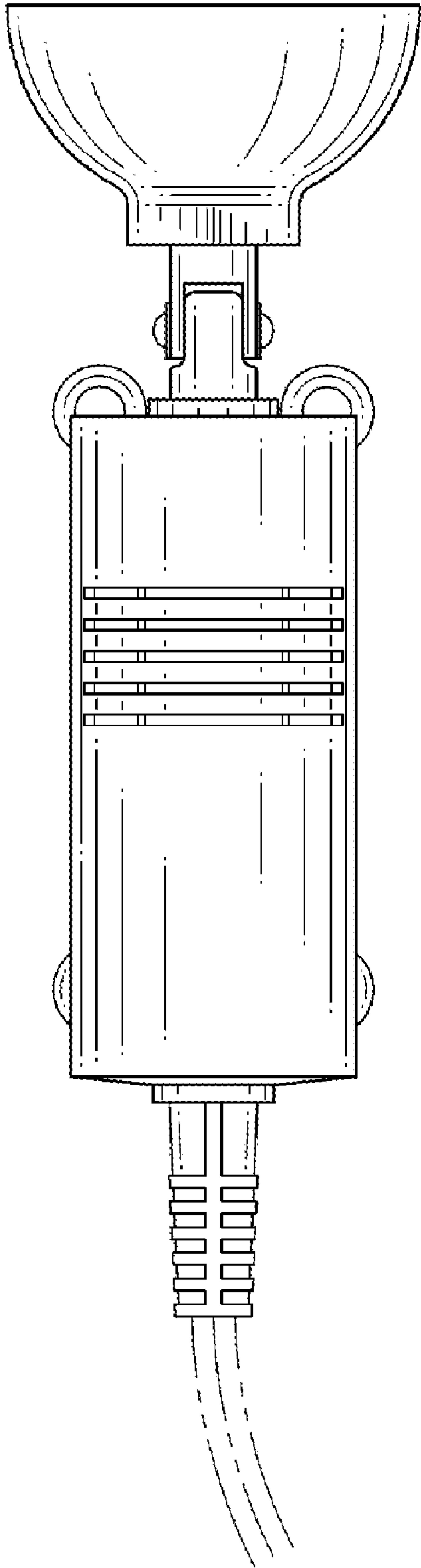


Fig. 3

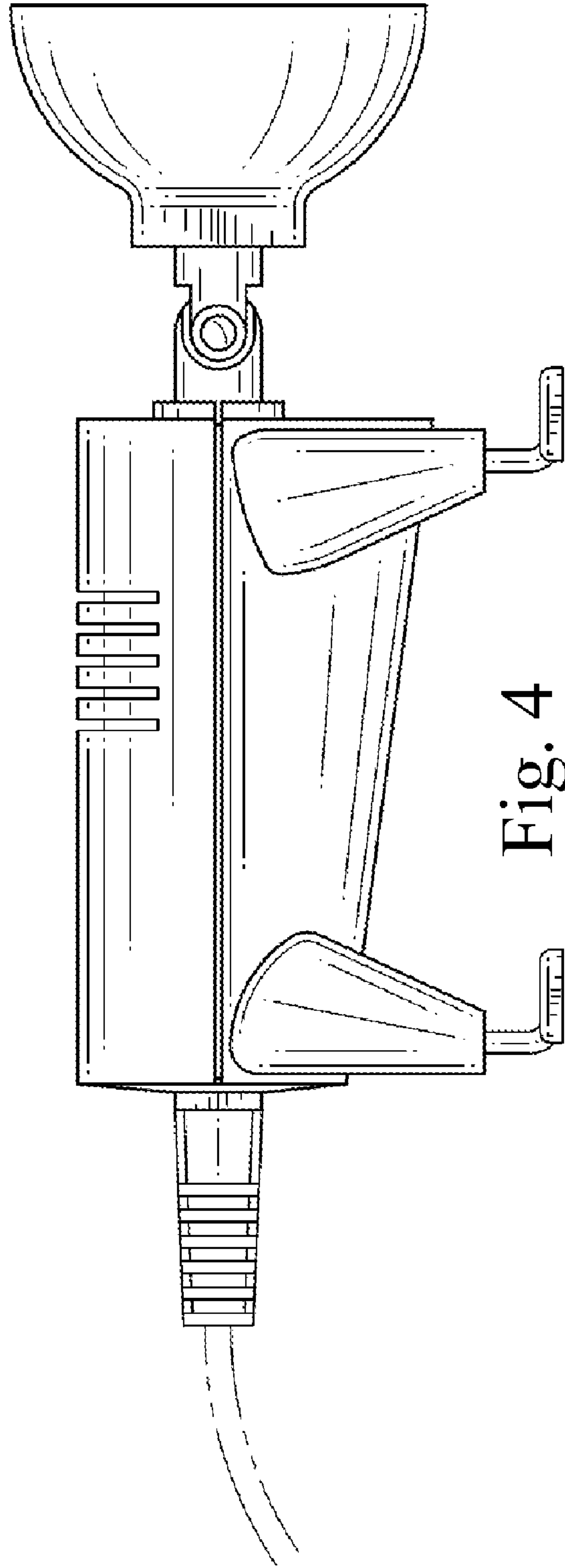


Fig. 4

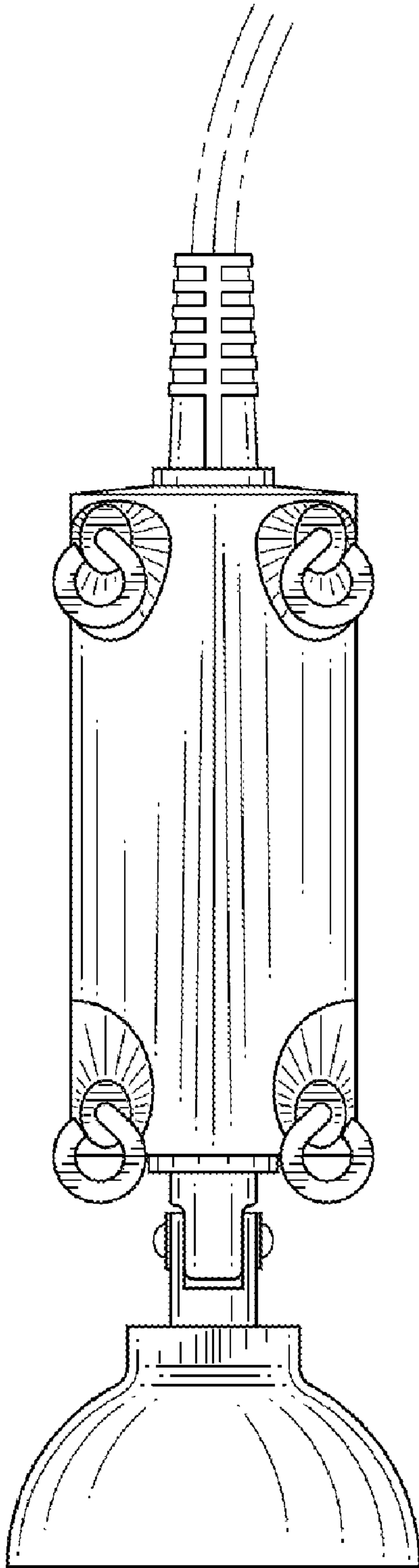


Fig. 5

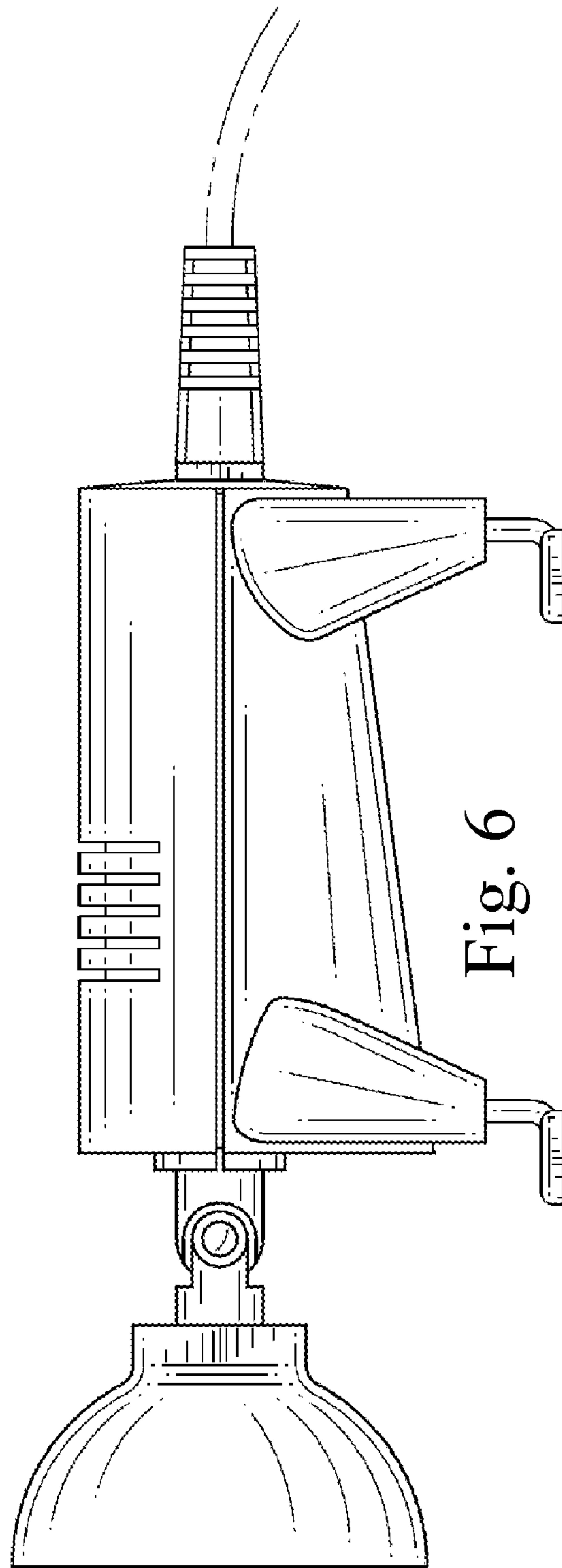


Fig. 6

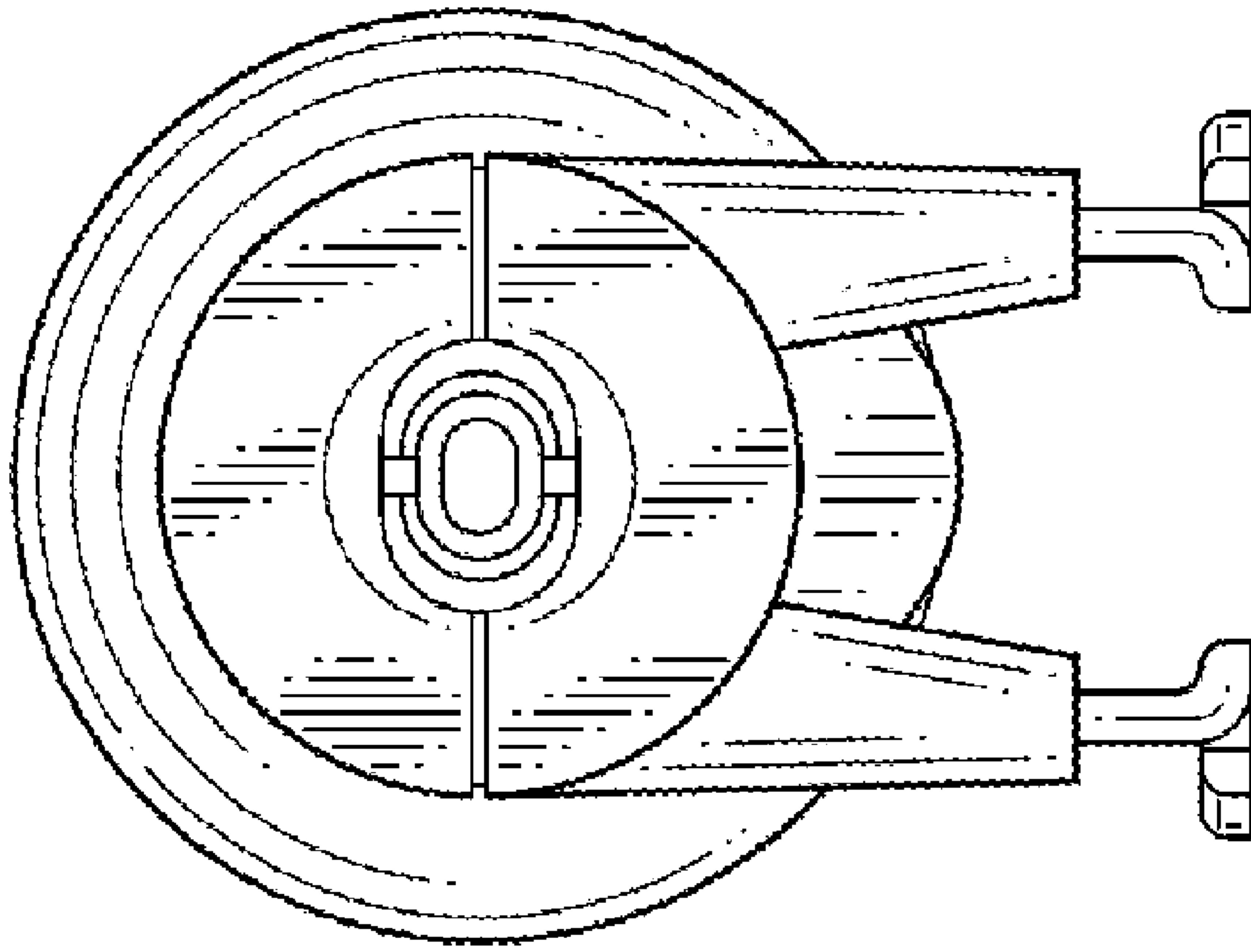


Fig. 8

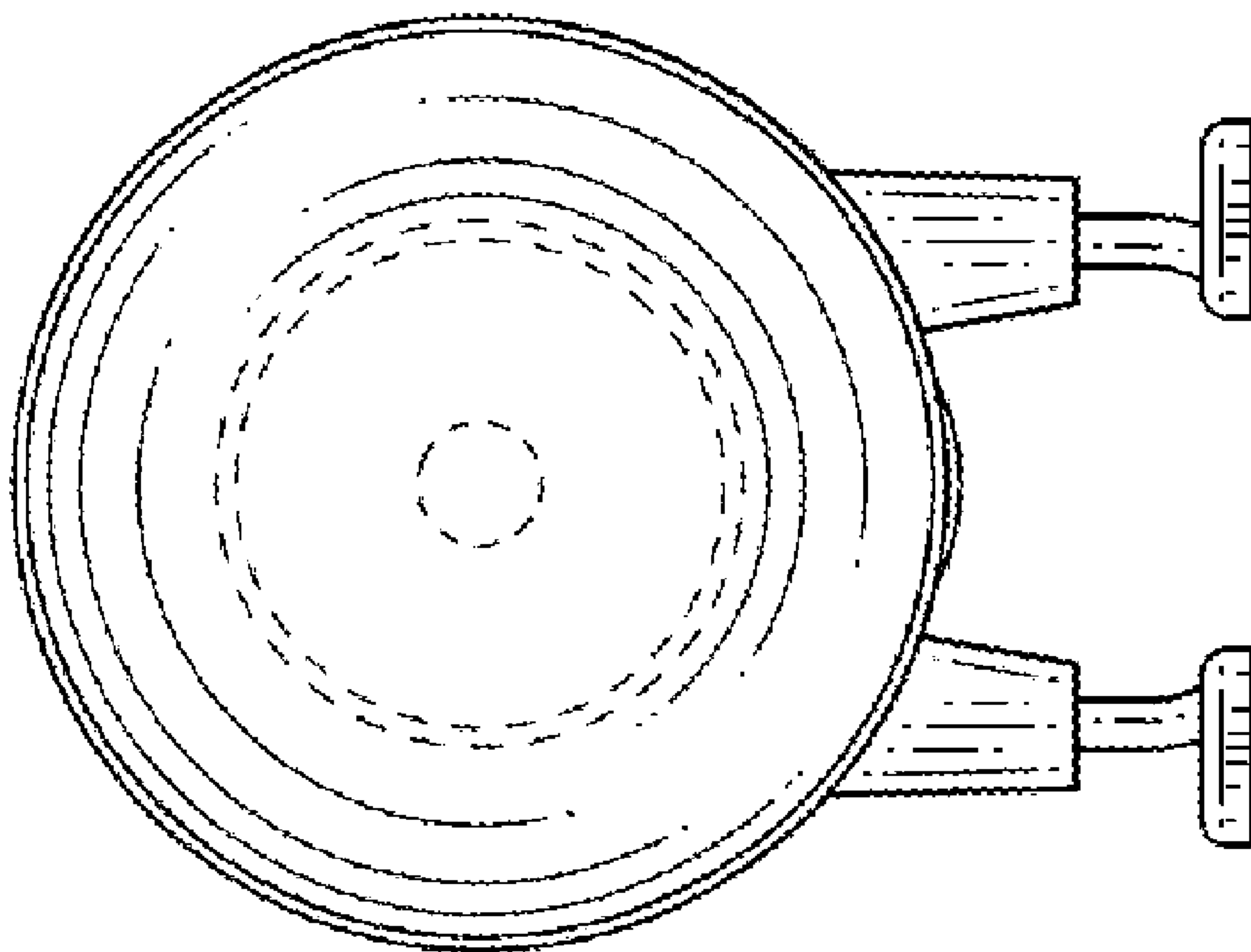


Fig. 7

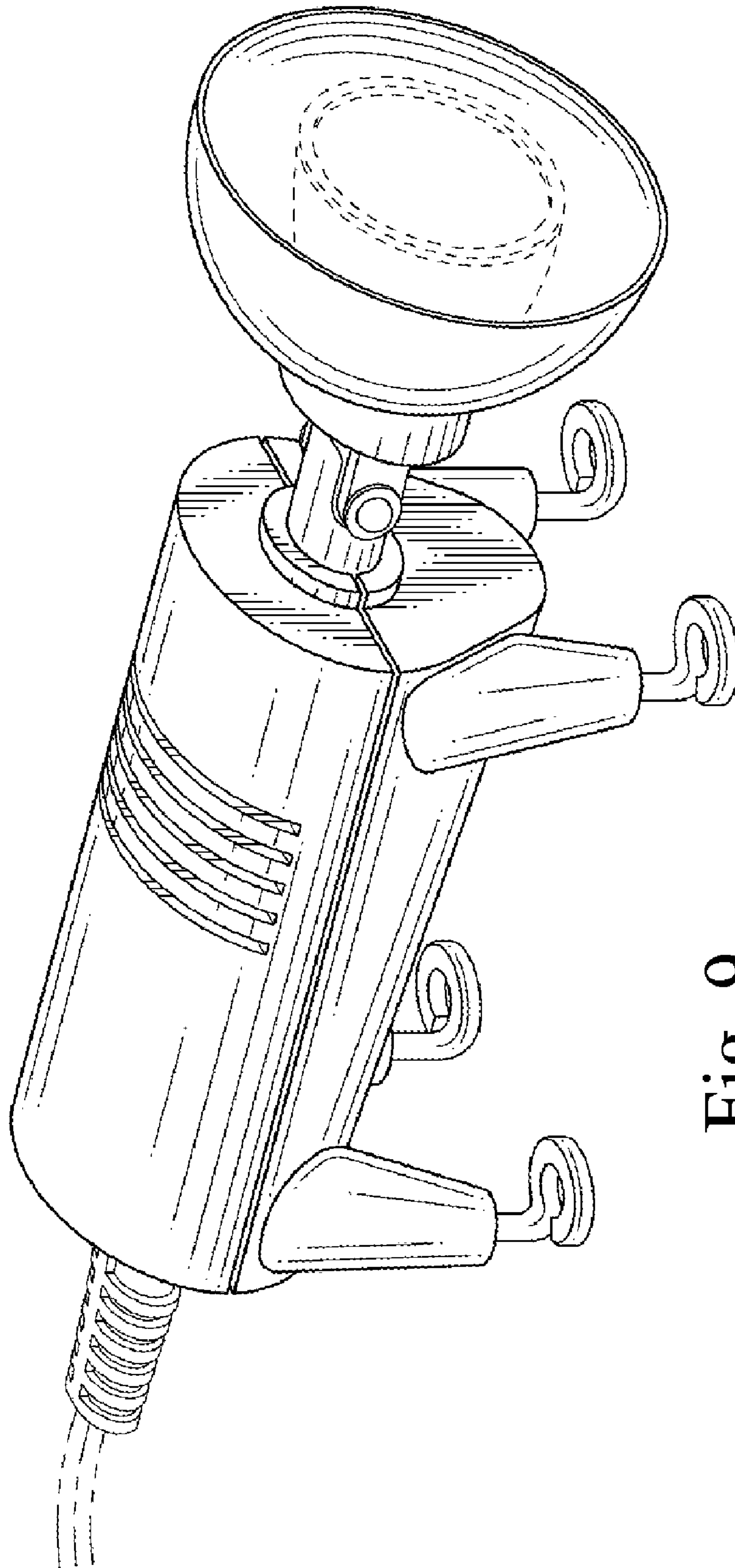


Fig. 9

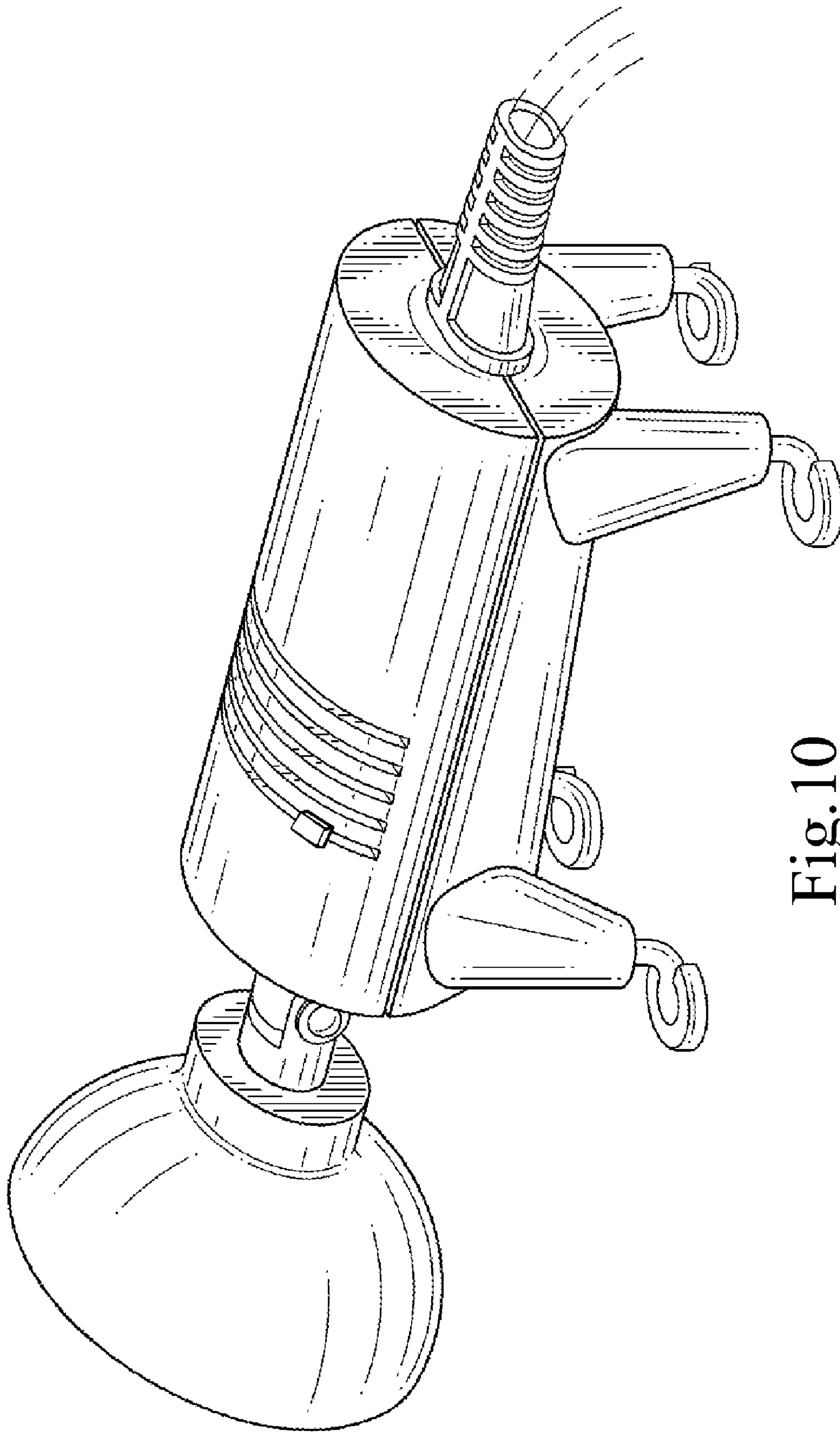


Fig. 10

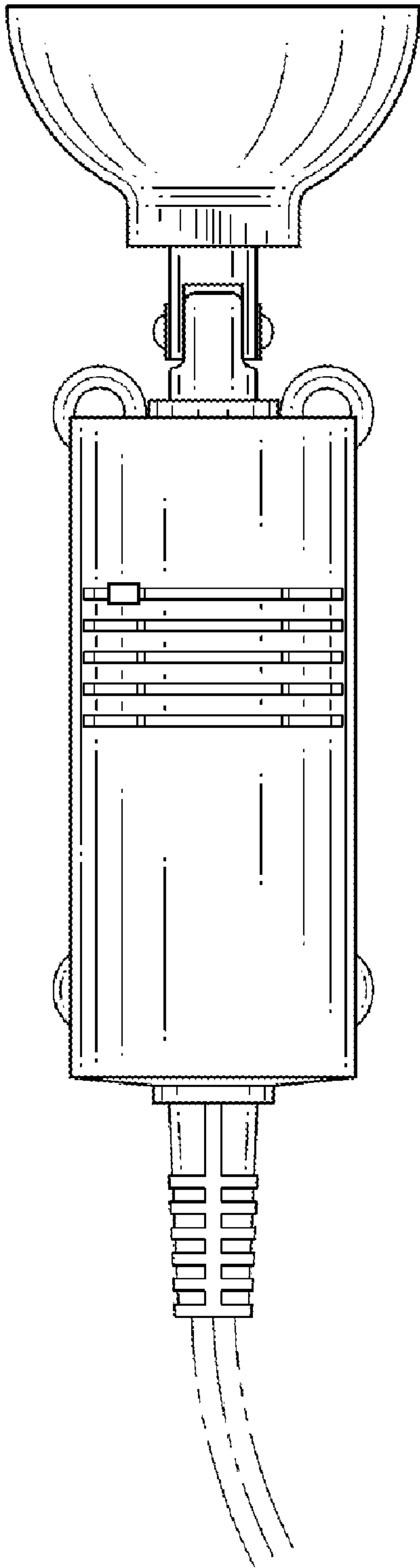


Fig. 11

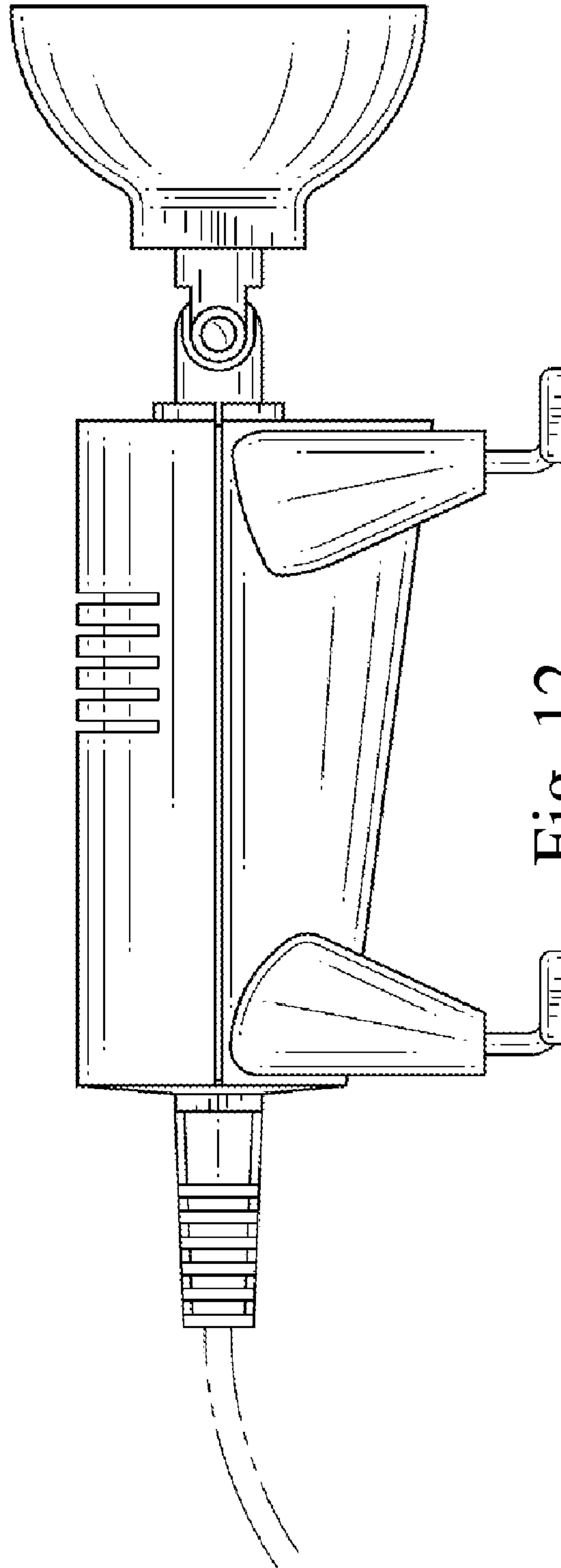


Fig. 12

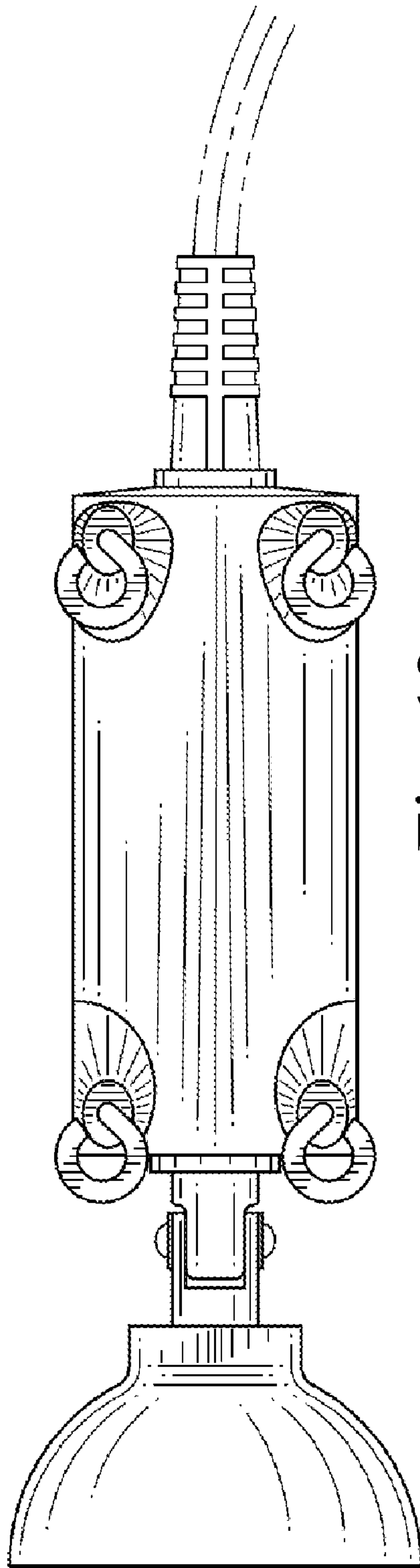


Fig. 13

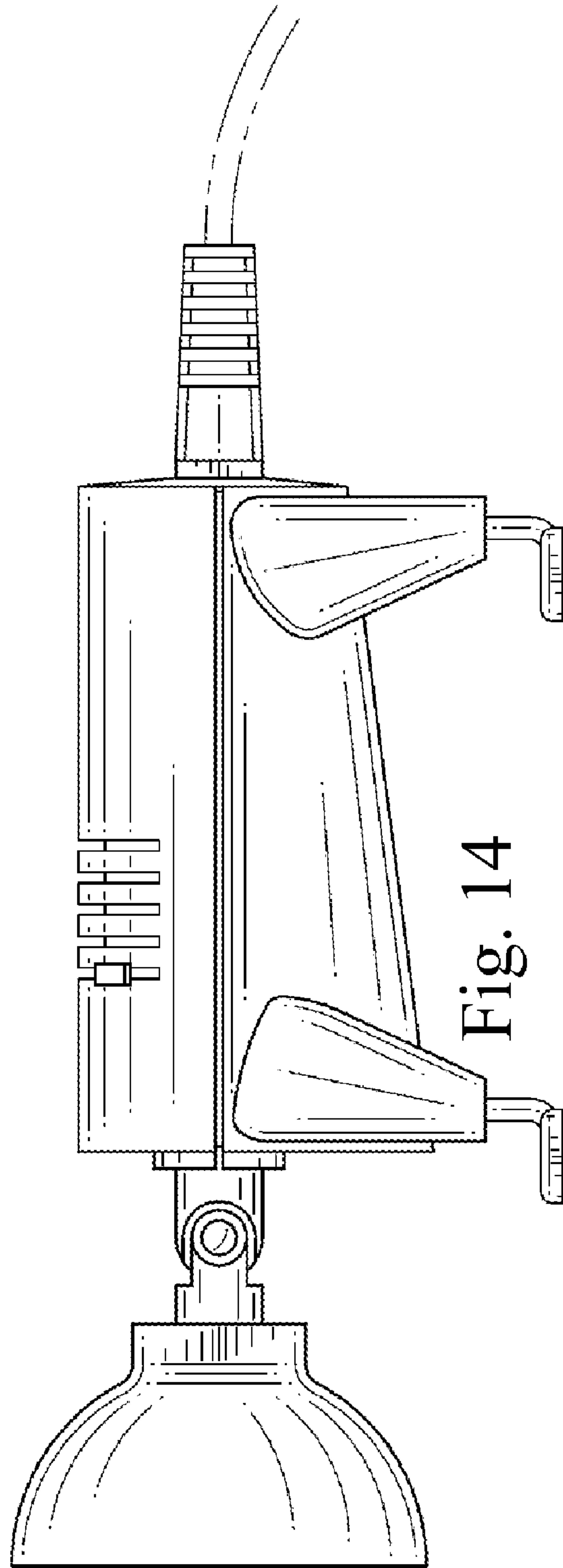


Fig. 14

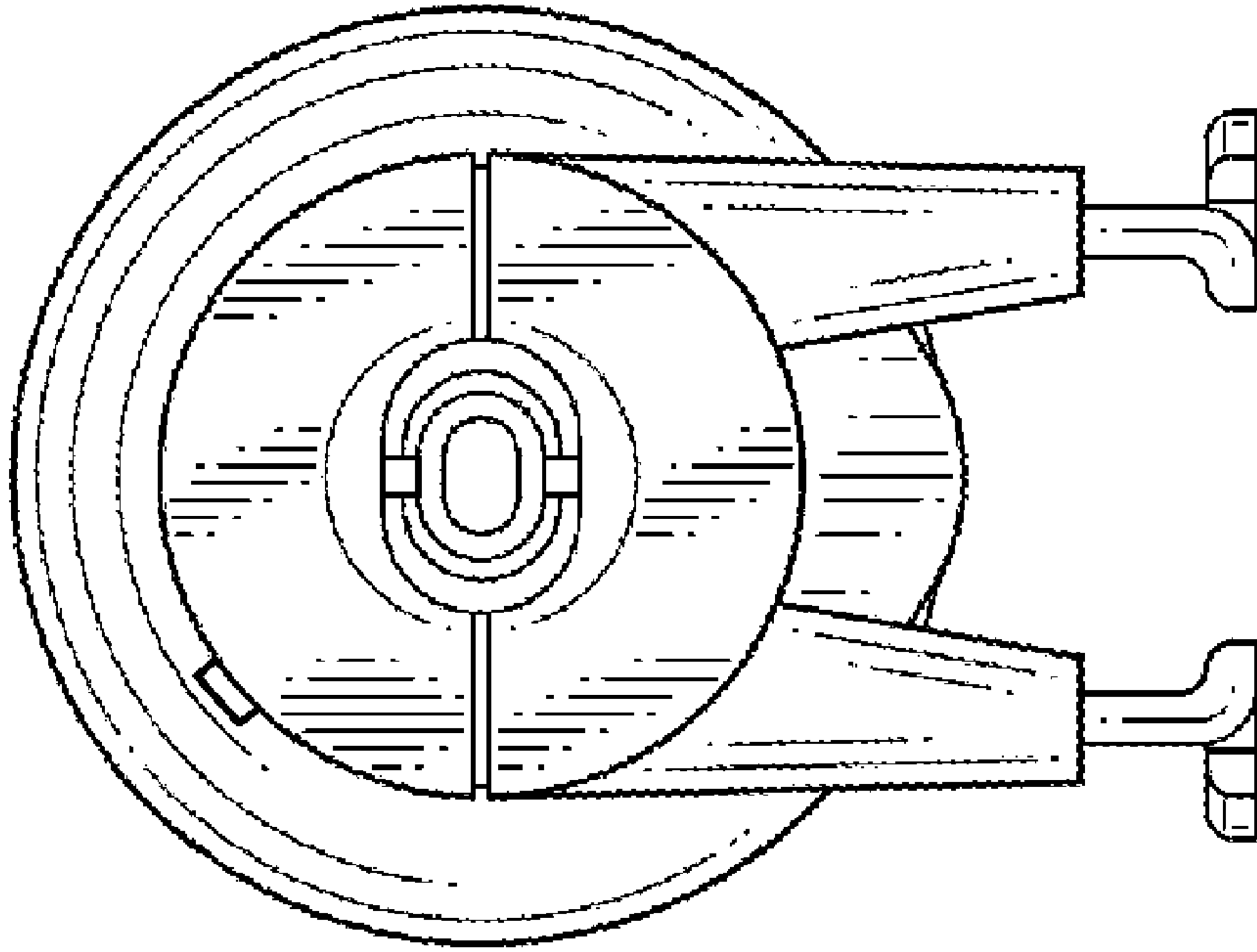


Fig. 15

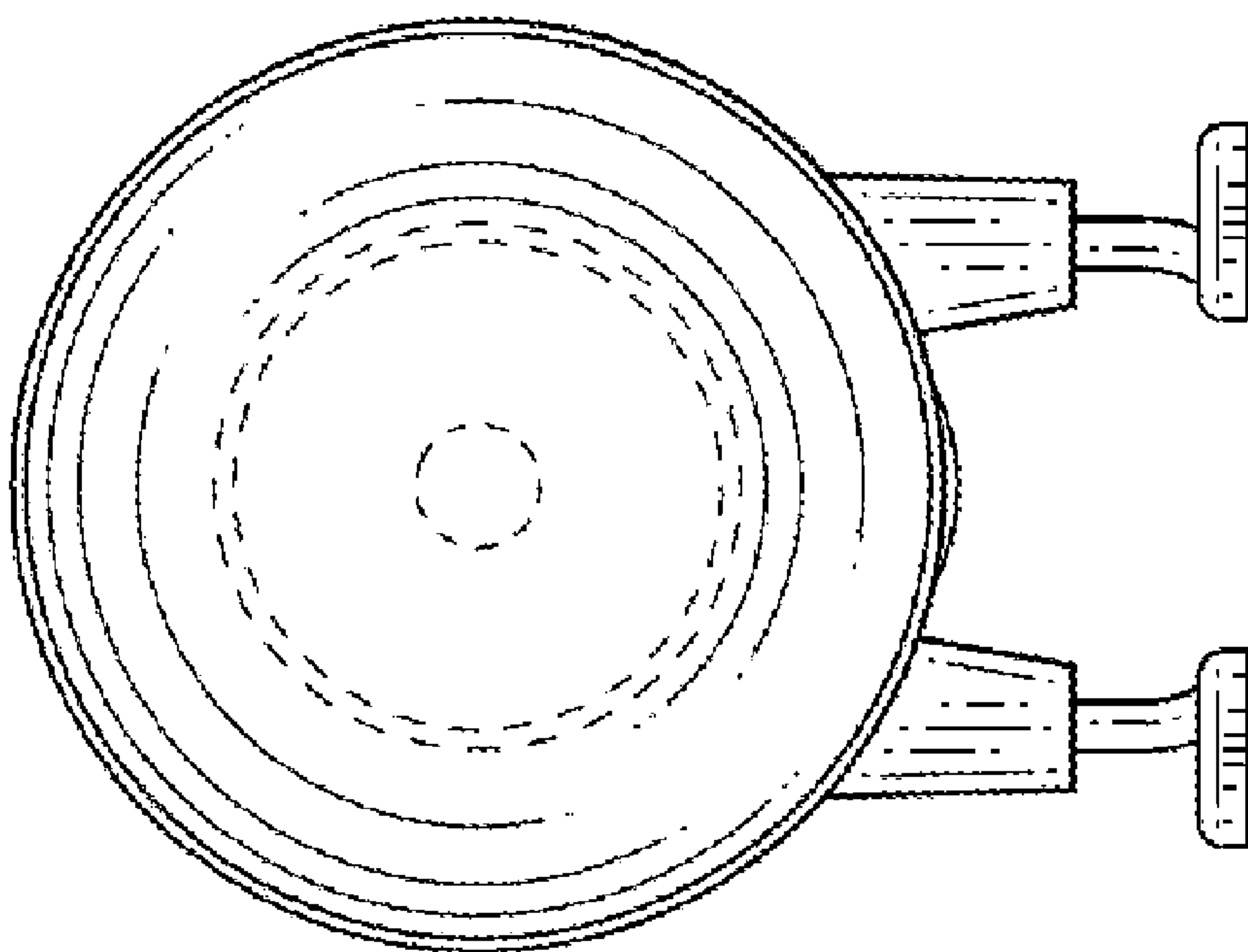


Fig. 16

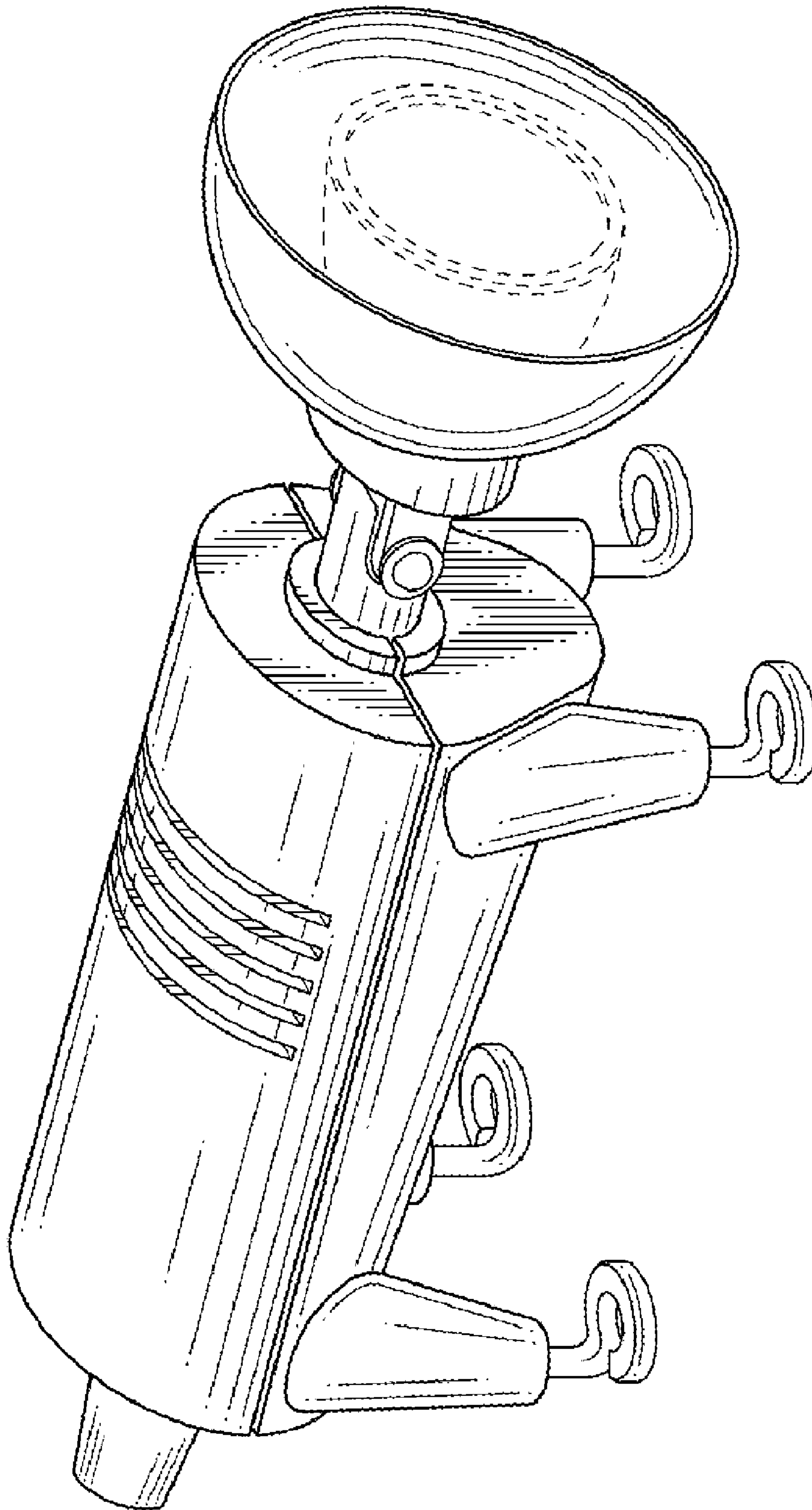


Fig. 17

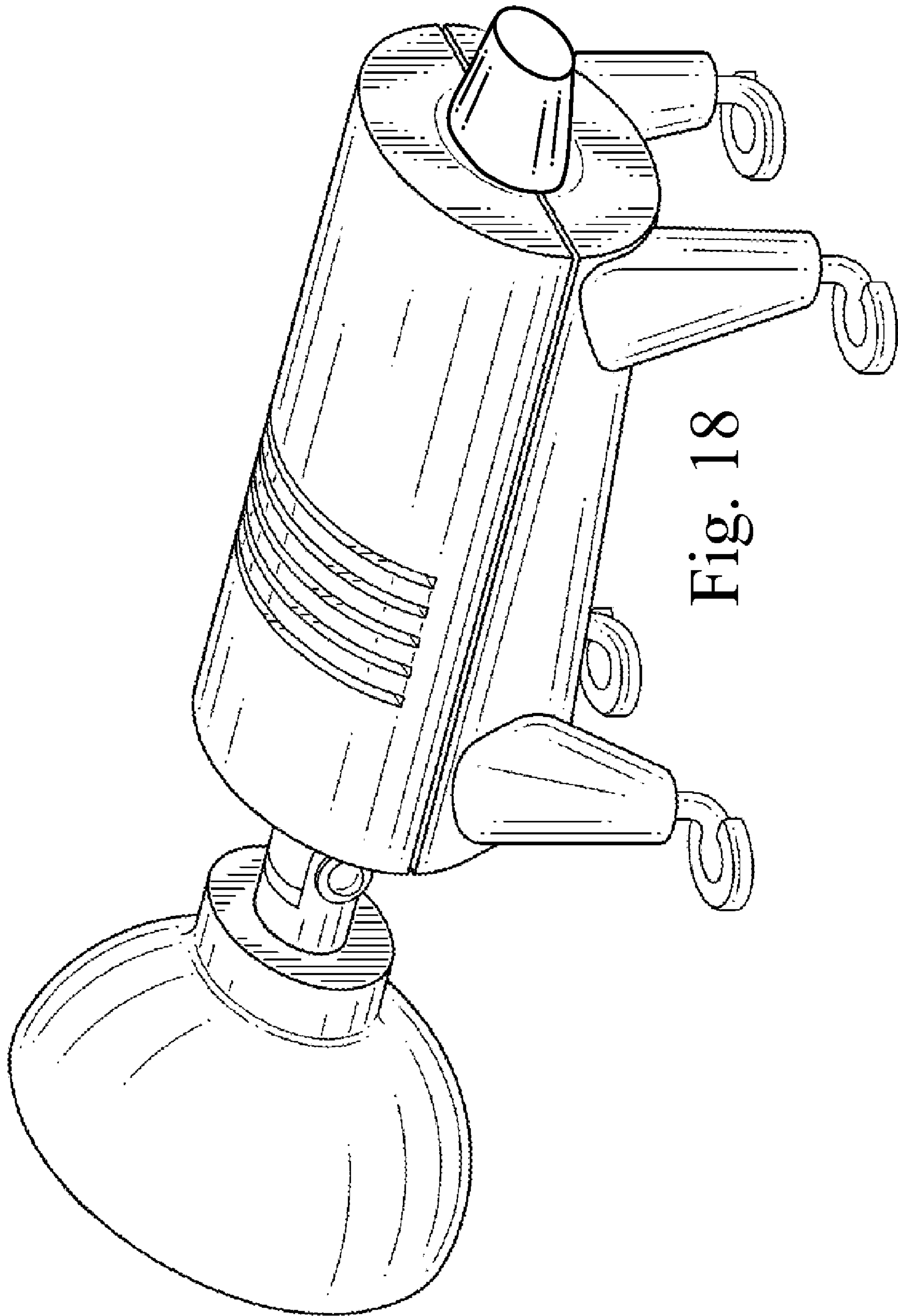


Fig. 18

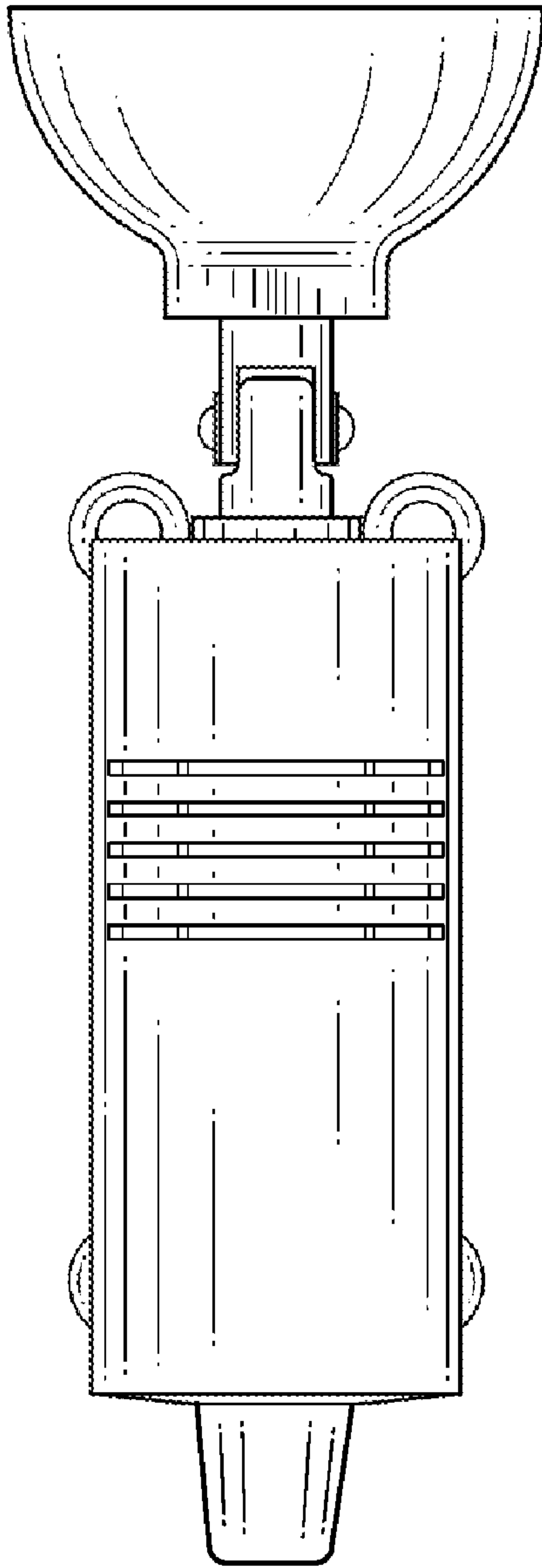


Fig. 19

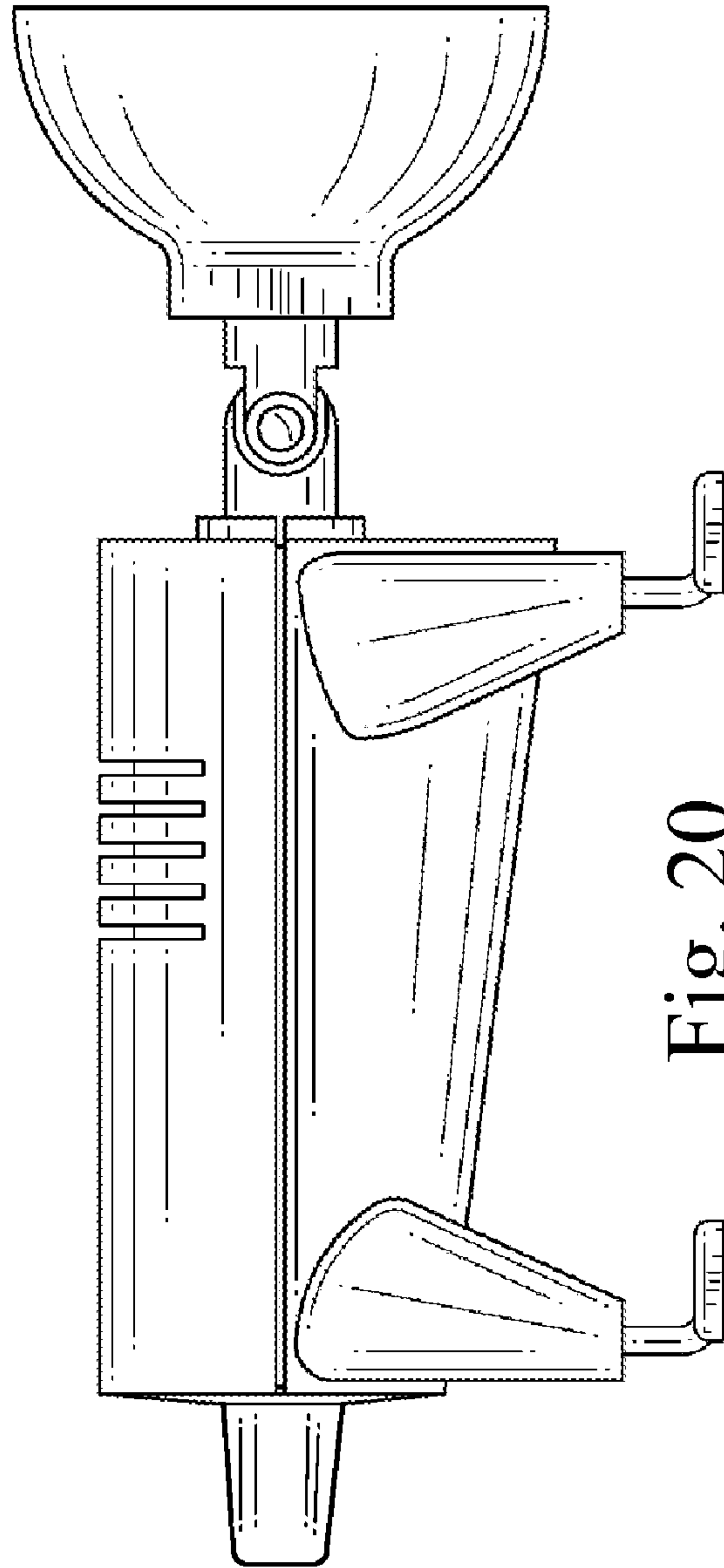


Fig. 20

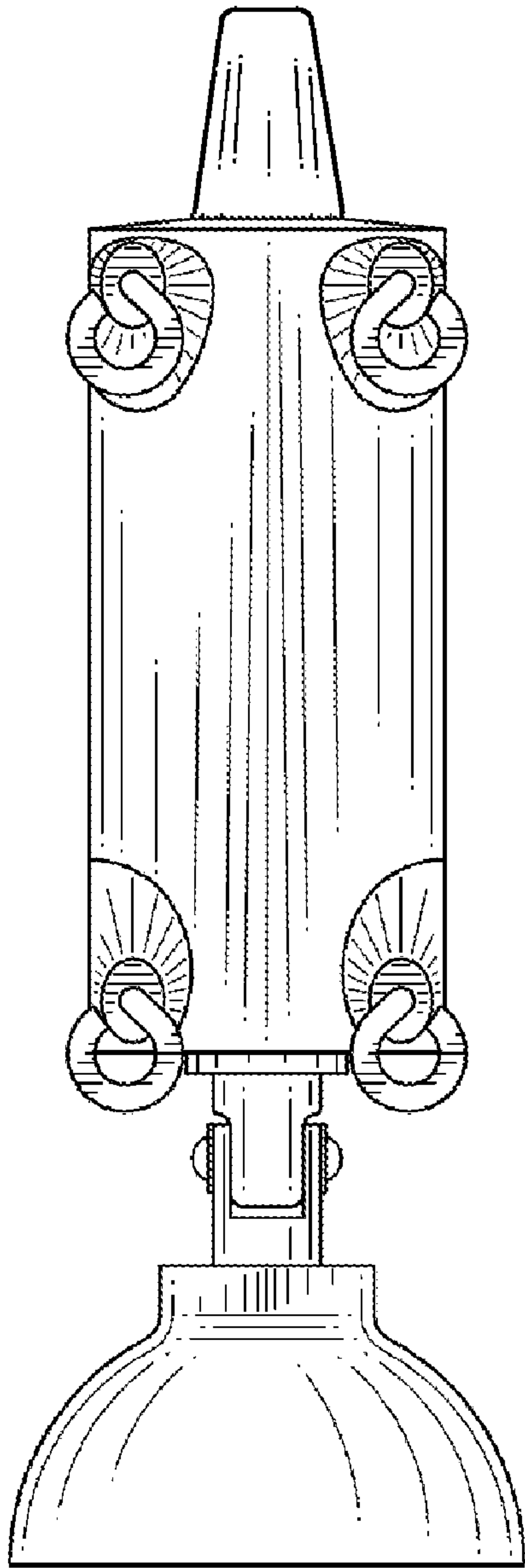


Fig. 21

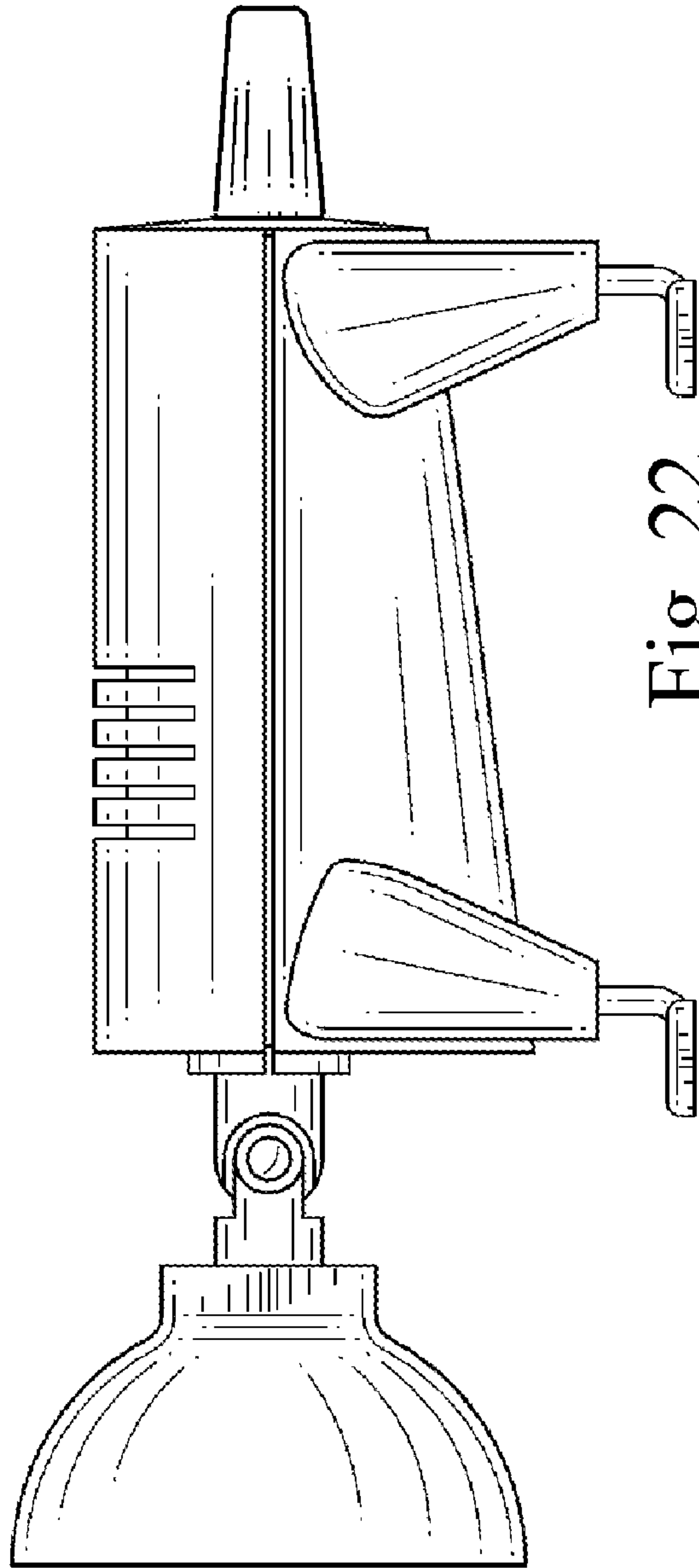


Fig. 22

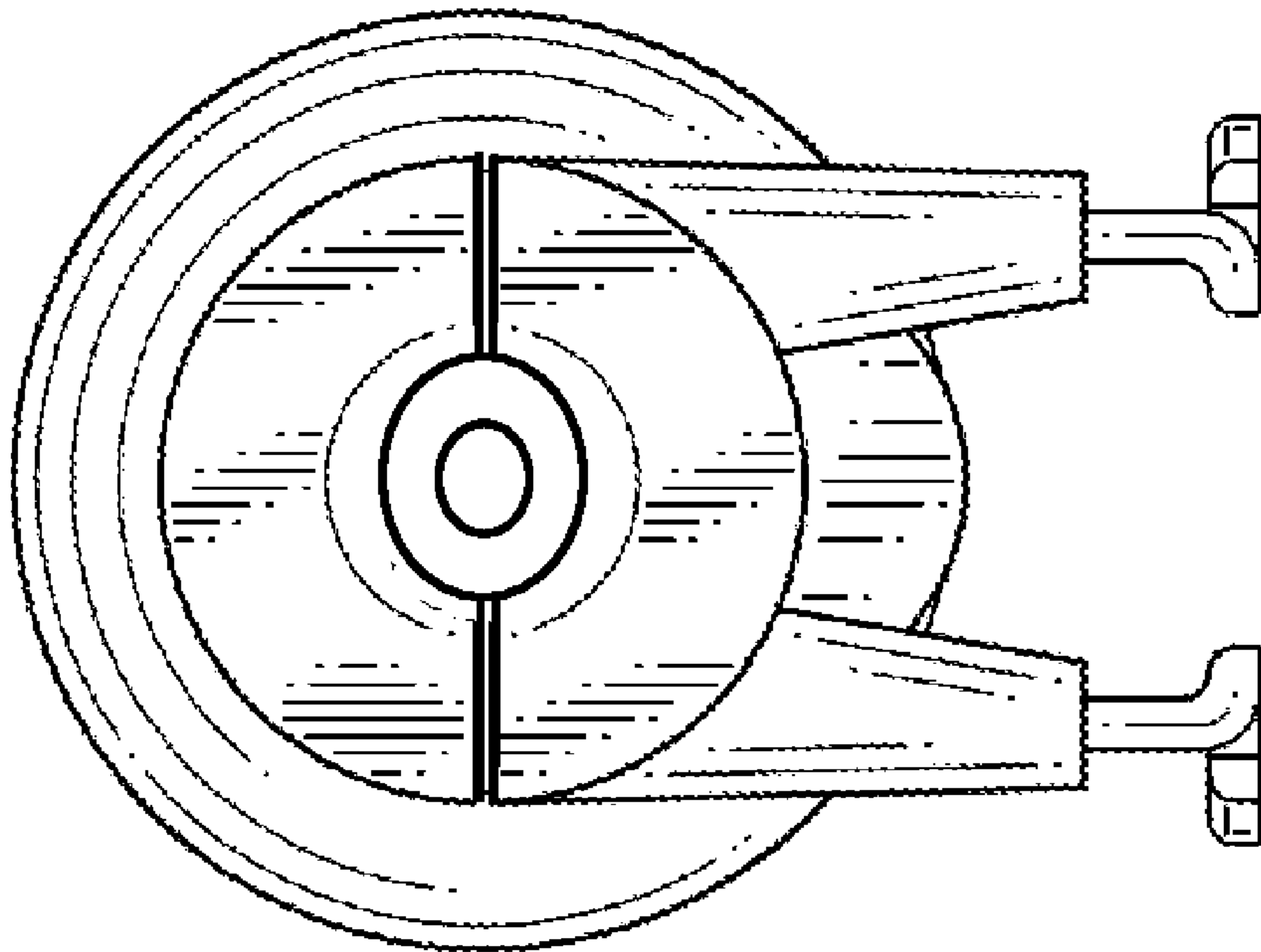


Fig. 24

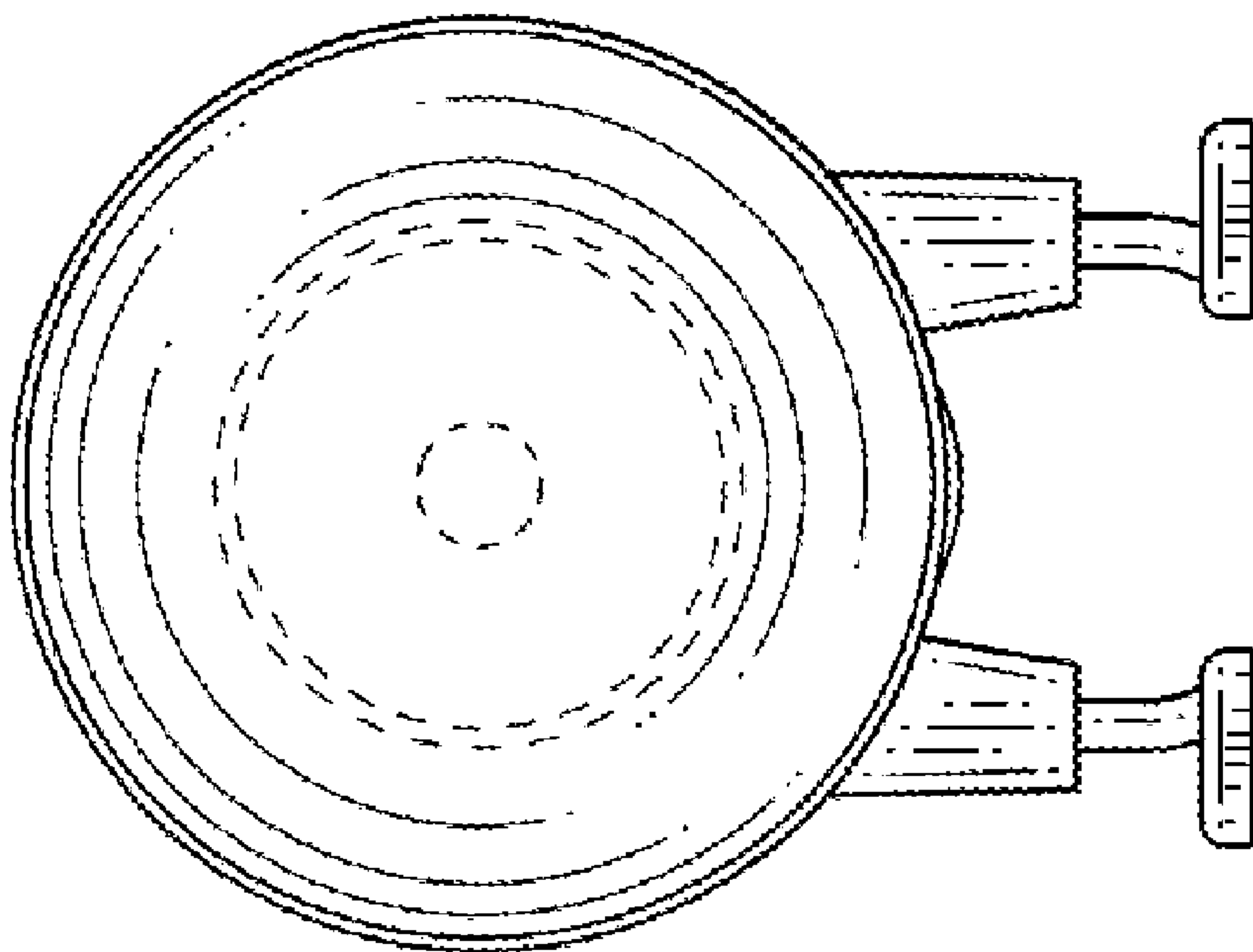


Fig. 23

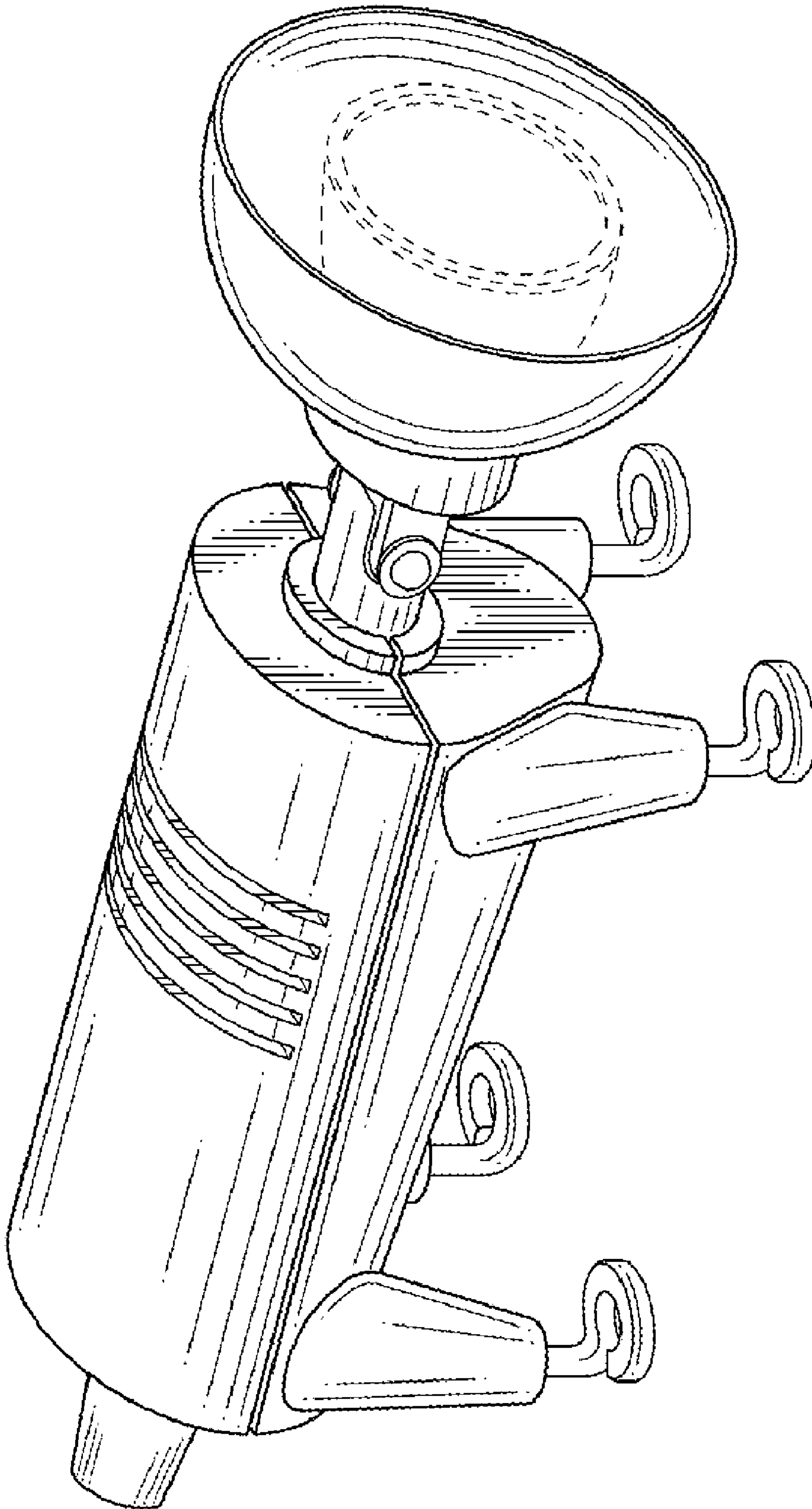


Fig. 25

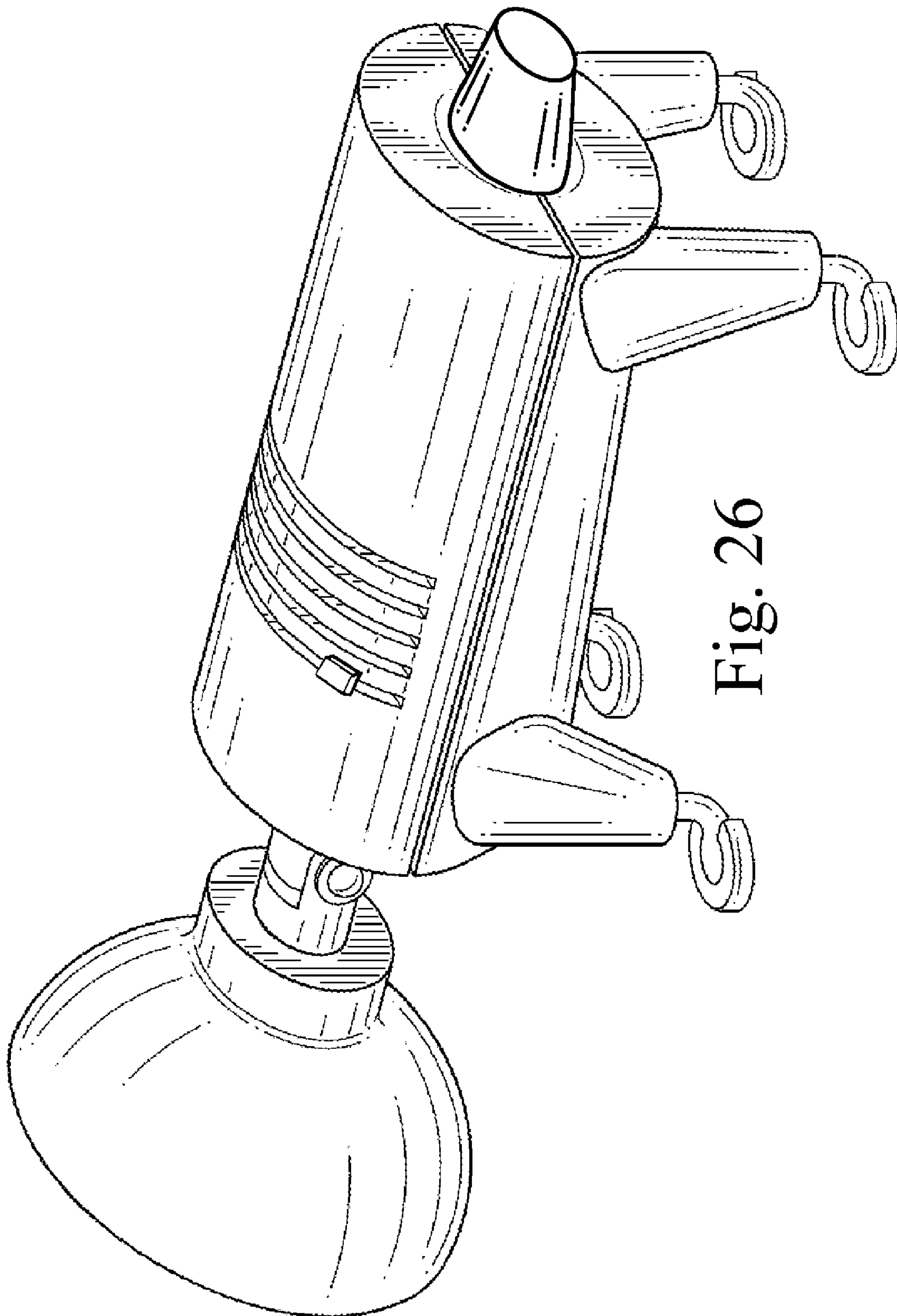


Fig. 26

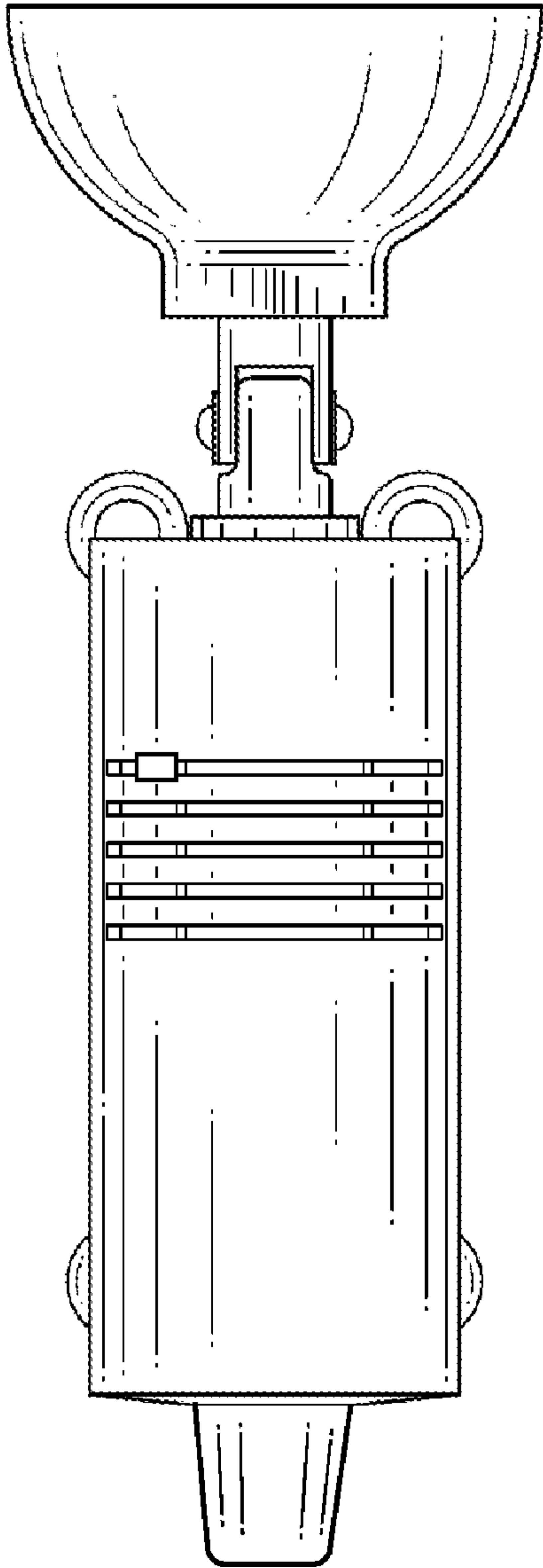


Fig. 27

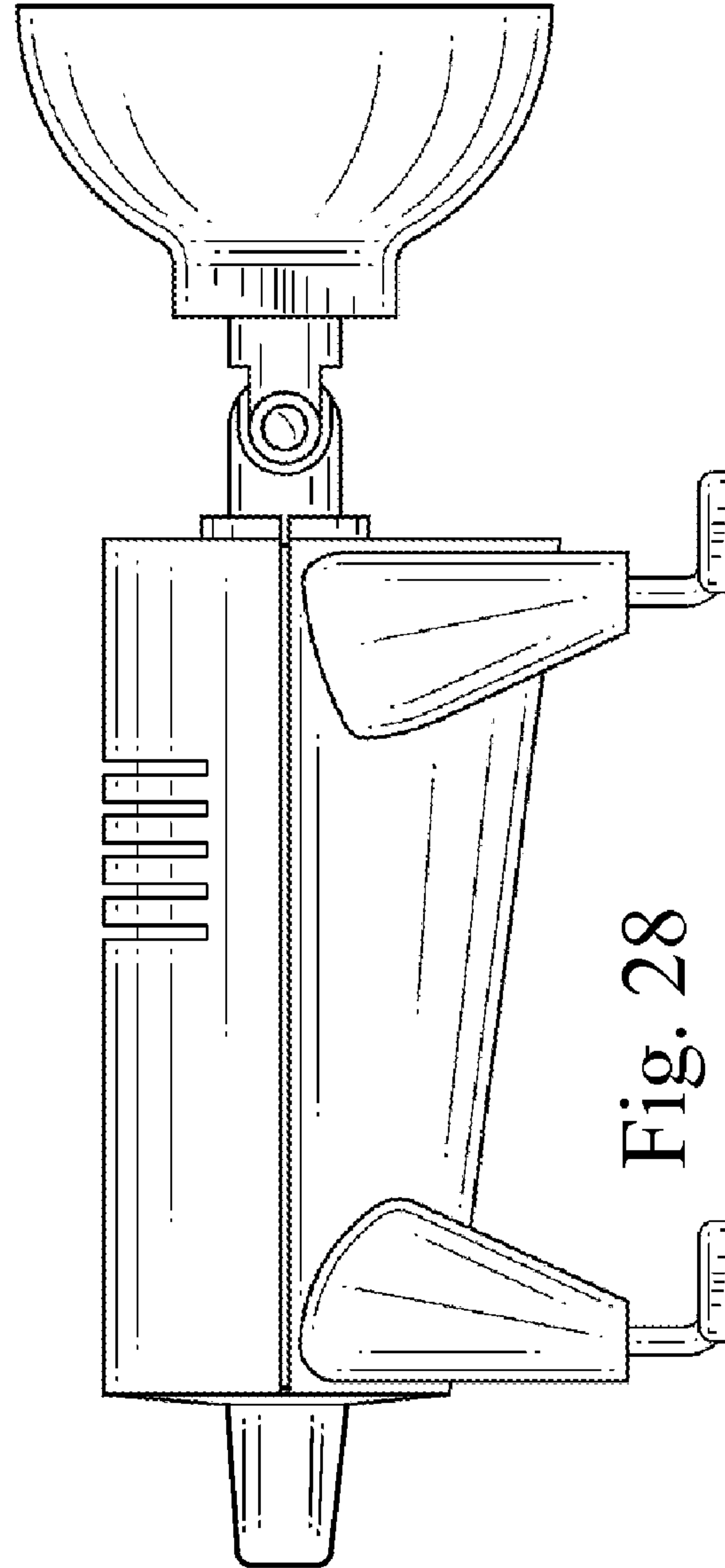


Fig. 28

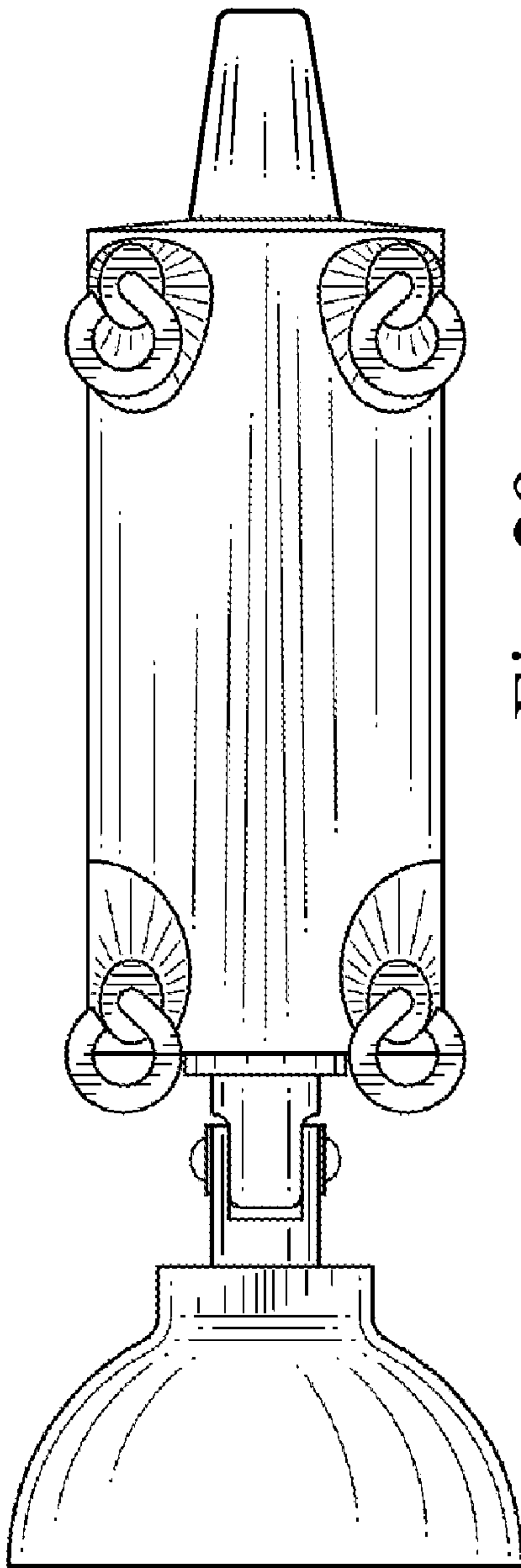


Fig. 29

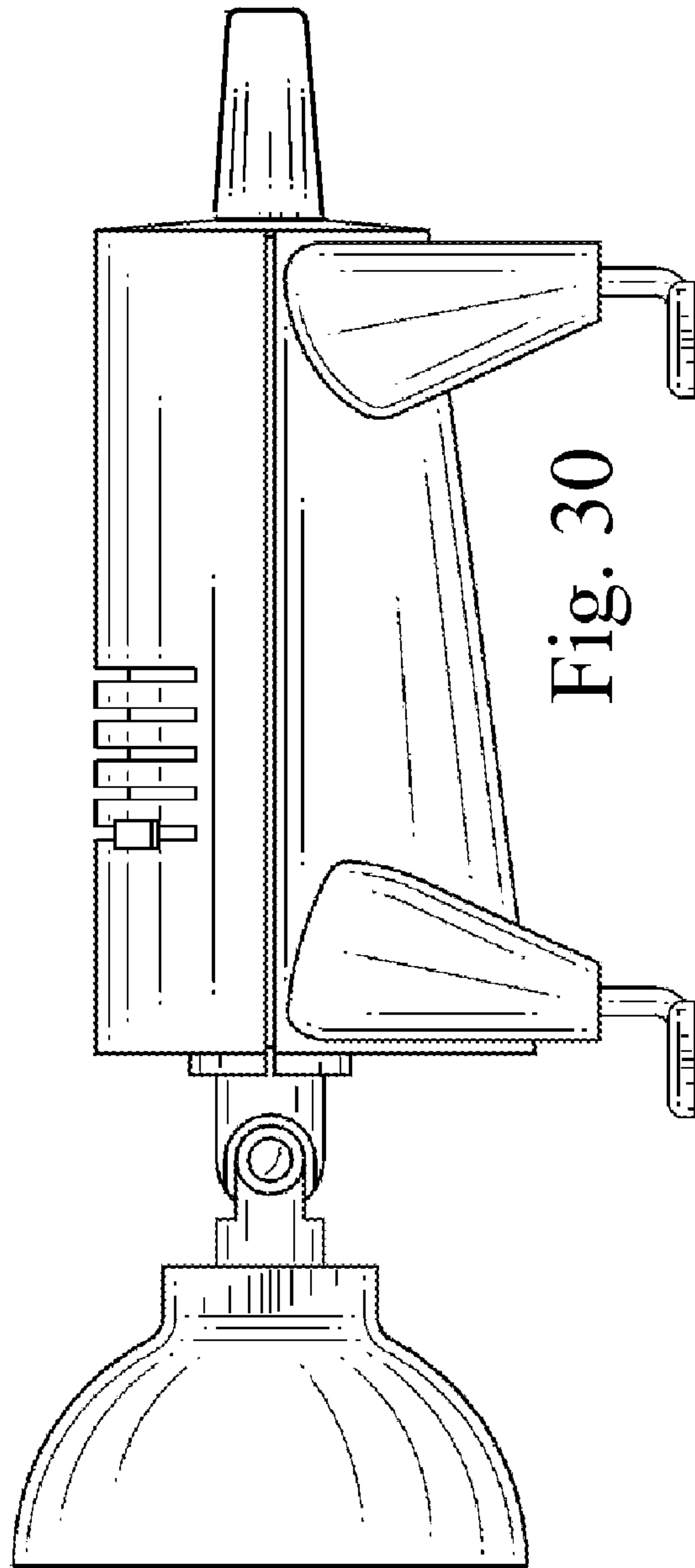


Fig. 30

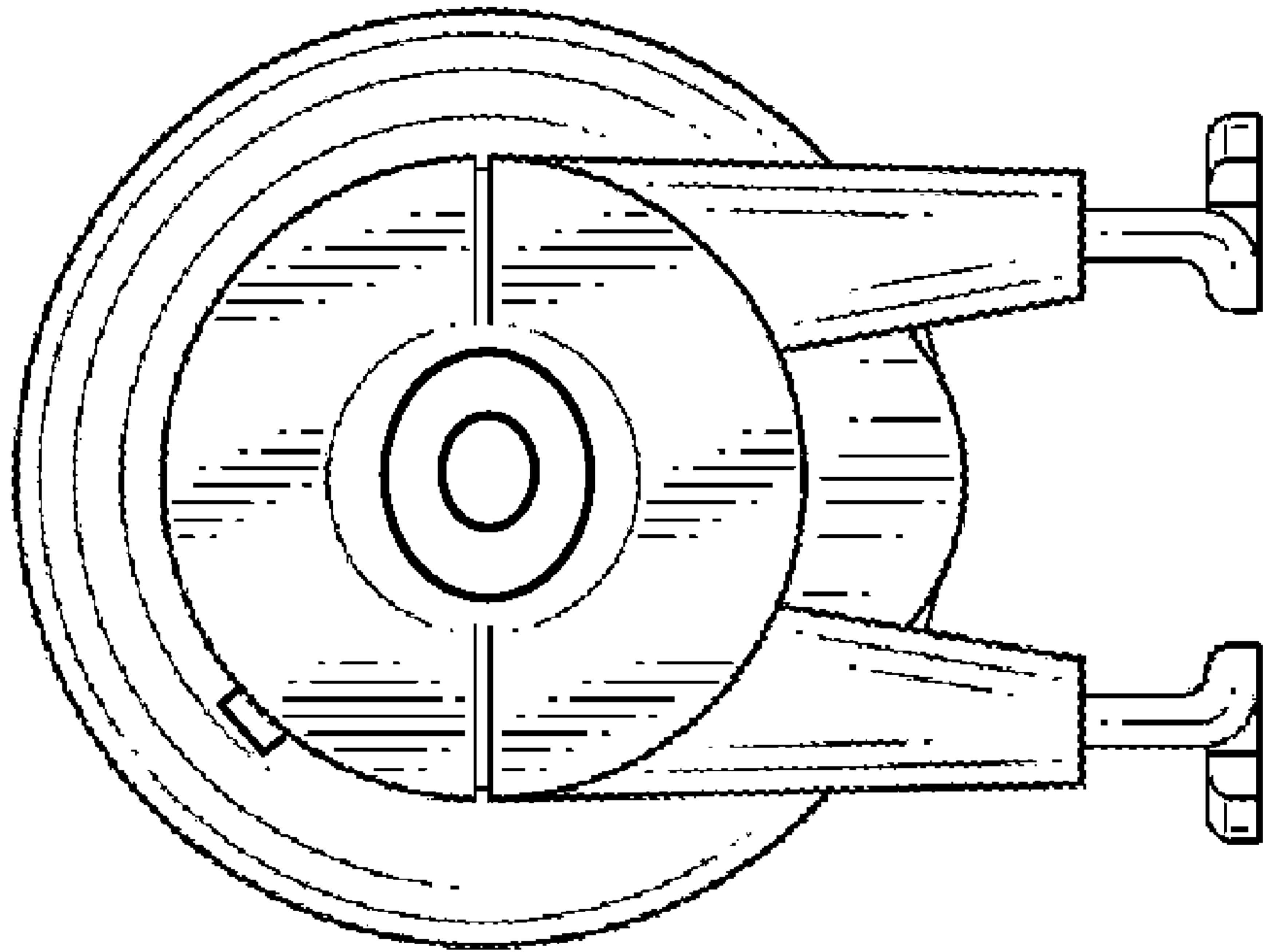


Fig. 32

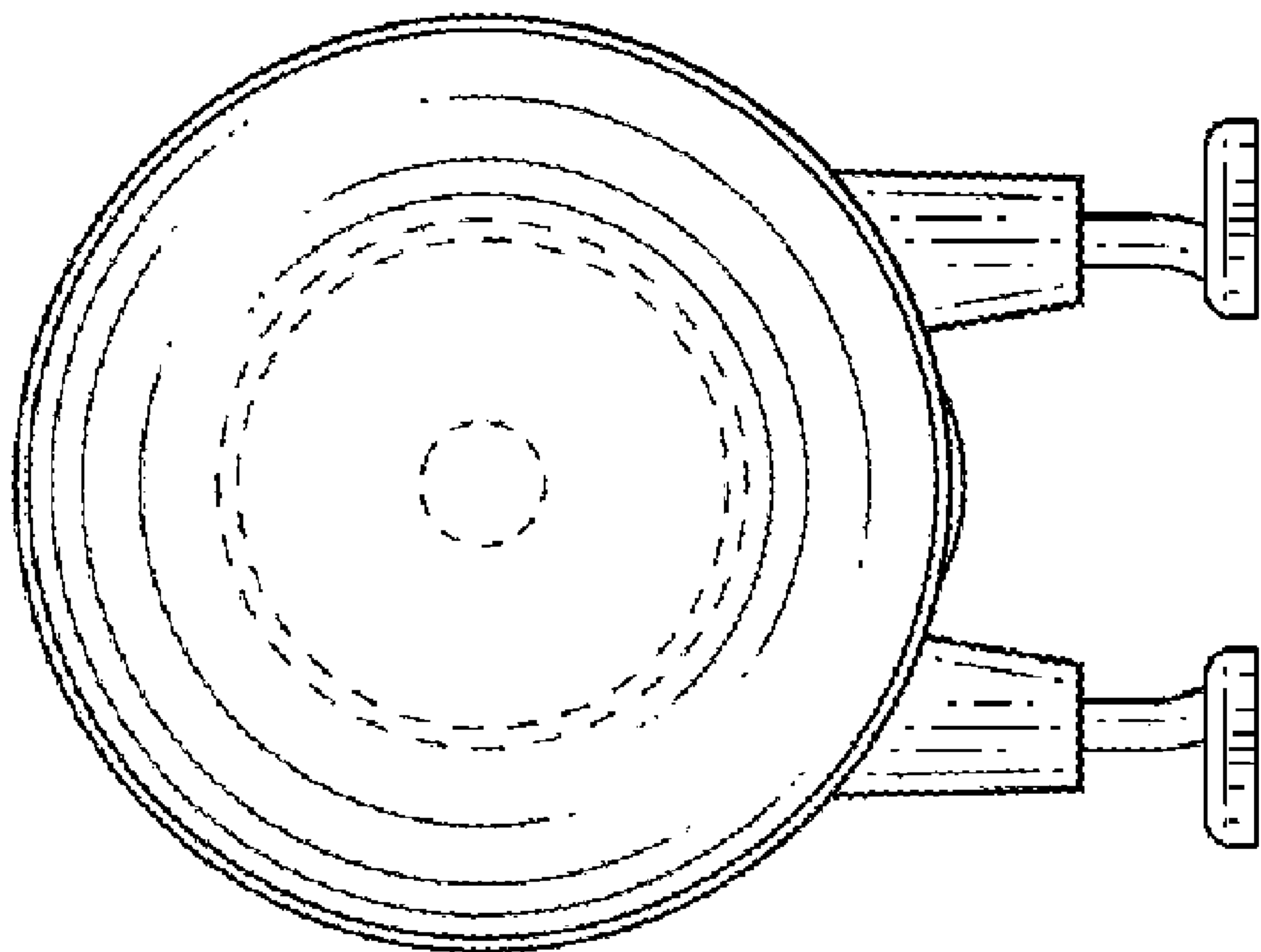


Fig. 31