



US00D544130S

(12) **United States Design Patent**
Hargreaves

(10) **Patent No.:** **US D544,130 S**

(45) **Date of Patent:** **** Jun. 5, 2007**

(54) **FOUR LAMP CAPACITY LOW PROFILE LIGHT FIXTURE**

(75) **Inventor:** **Craig Hargreaves**, Vancouver, WA (US)

(73) **Assignee:** **IP Holdings, LLC**, Vancouver, WA (US)

(**) **Term:** **14 Years**

(21) **Appl. No.:** **29/219,921**

(22) **Filed:** **Dec. 27, 2004**

(51) **LOC (8) Cl.** **26-03**

(52) **U.S. Cl.** **D26/76; D26/78**

(58) **Field of Classification Search** D26/75-78, D26/73, 118; 362/1, 2, 147, 217, 218, 219, 362/221-224, 294, 345, 373, 614, 805, 806, 362/807

See application file for complete search history.

(56) **References Cited**

U.S. PATENT DOCUMENTS

1,410,945	A	*	3/1922	Mayfield	52/521
D123,768	S	*	12/1940	Scribner	D26/78
D125,001	S	*	2/1941	Klingsick	D26/78
D128,049	S	*	7/1941	Kurtz et al.	D26/78
D133,216	S	*	7/1942	Parlato	D26/78
2,327,552	A	*	8/1943	Poehling	362/227
2,379,798	A	*	7/1945	Guth	362/225
D186,329	S	*	10/1959	Guth, Jr.	D26/78
D202,648	S	*	10/1965	Meyer et al.	D26/78
3,836,765	A	*	9/1974	Ritzow et al.	362/223
3,860,829	A	*	1/1975	Fabbri	307/66
4,342,072	A	*	7/1982	Guritz et al.	362/222
5,025,356	A	*	6/1991	Gawad	362/221

5,089,940	A	*	2/1992	Lanzarone et al.	362/101
5,113,328	A	*	5/1992	Foster et al.	362/223
5,479,327	A	*	12/1995	Chen	362/222
D430,688	S	*	9/2000	Plunk	D26/76
D497,026	S	*	10/2004	Hand	D26/78
D521,172	S	*	5/2006	Chen	D26/76

OTHER PUBLICATIONS

New Wave T5 High Output Fluorescent Grow Light 4ft 4 Lampfrom Bustan Urban Gardening Essentials. Found online at bustan.com on Dec. 16, 2006.*

* cited by examiner

Primary Examiner—Clare E Hefflin

(74) *Attorney, Agent, or Firm*—Robert J. Ireland

(57) **CLAIM**

The ornamental design for a four lamp capacity low profile light fixture, as shown and described.

DESCRIPTION

FIG. 1 is a perspective view of a four lamp capacity low profile light fixture, and according to the new and unique design;

FIG. 2 is; a front view of the four lamp capacity low profile light fixture

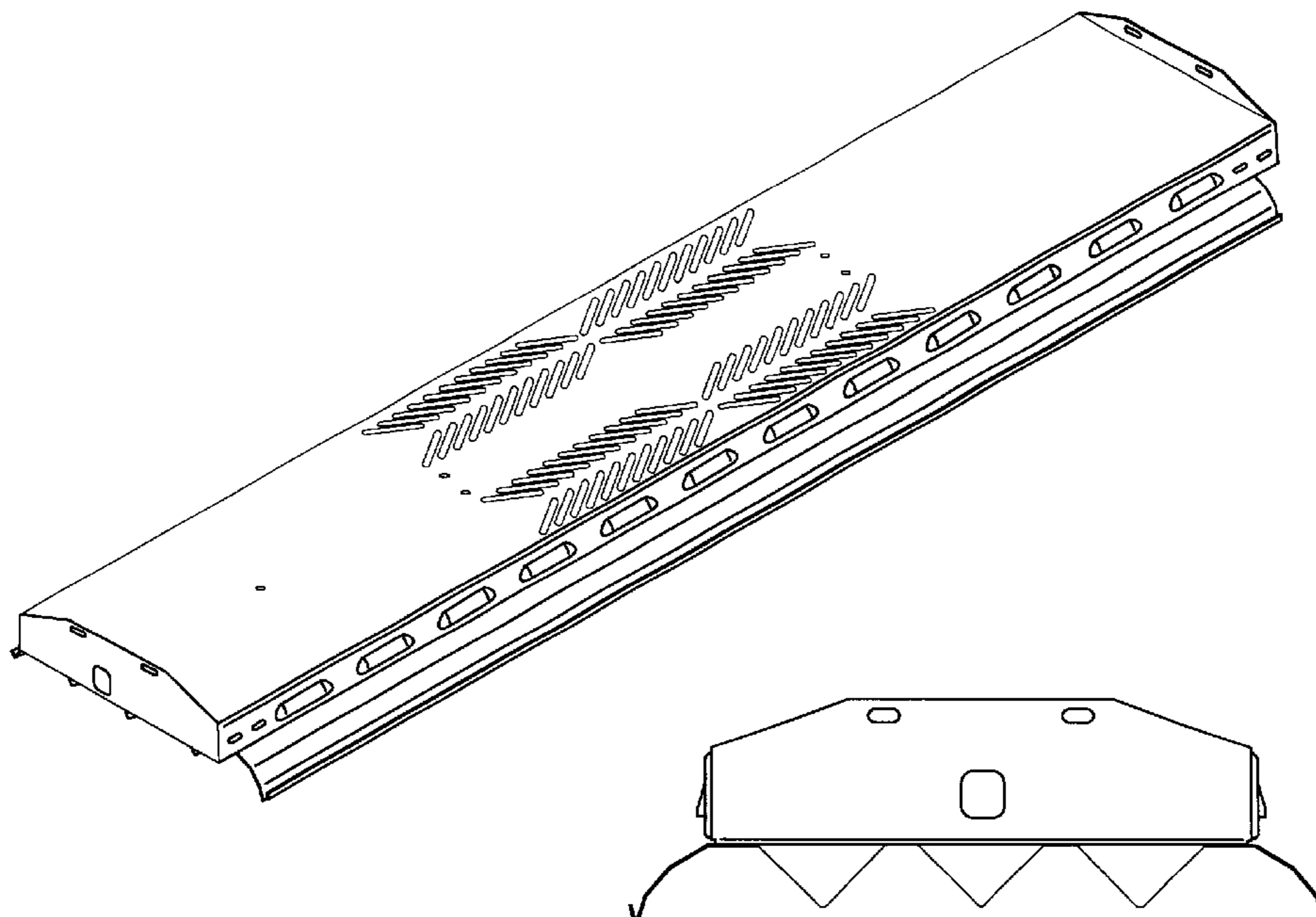
FIG. 3 is a back view of the four lamp capacity low profile light fixture;

FIG. 4 is a side view of the four lamp capacity low profile light fixture, the opposite side being a mirror image thereof;

FIG. 5 is a top view of the four lamp capacity low profile light fixture; and,

FIG. 6 is a bottom view of the four lamp capacity low profile light fixture.

1 Claim, 6 Drawing Sheets



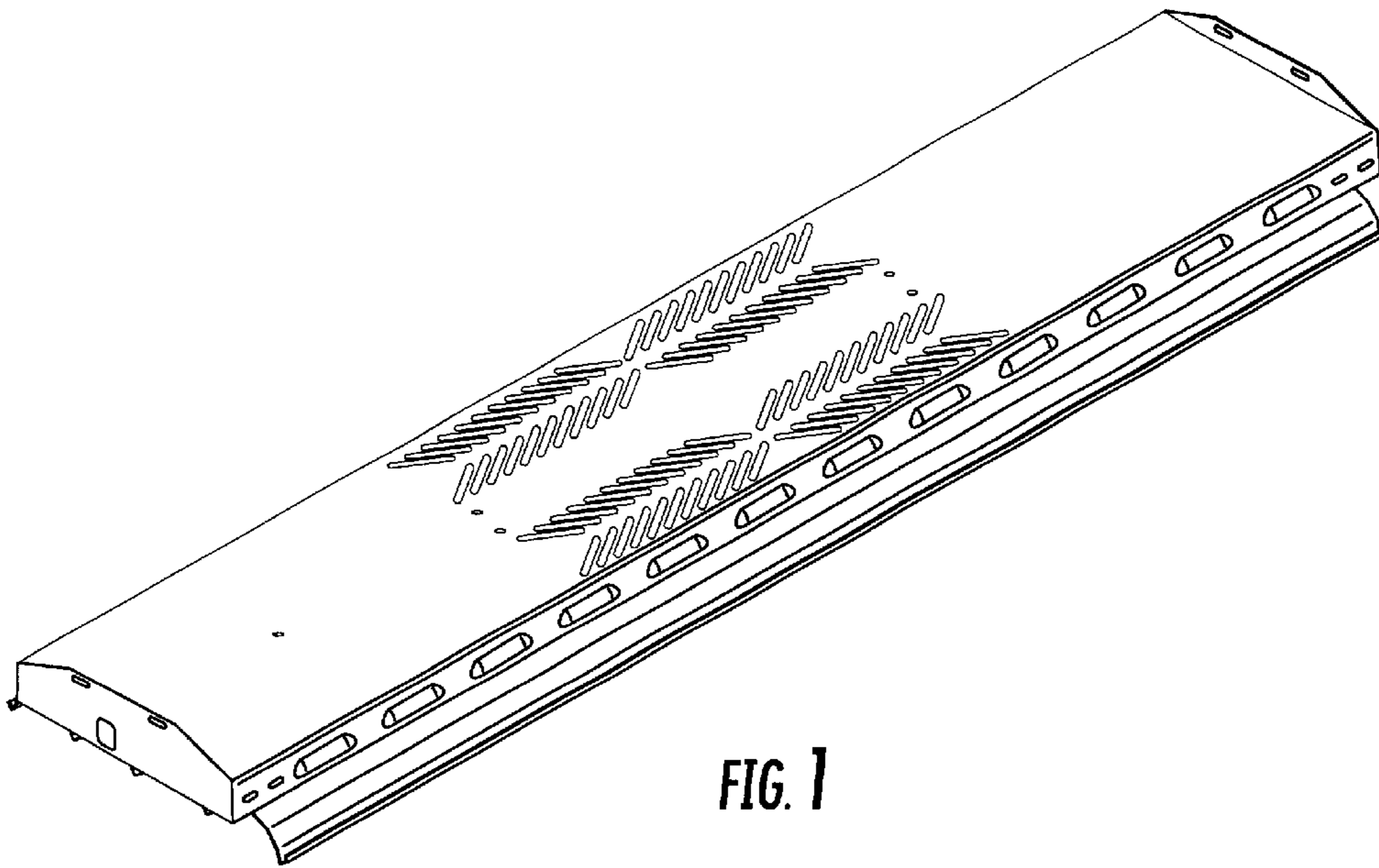


FIG. 1

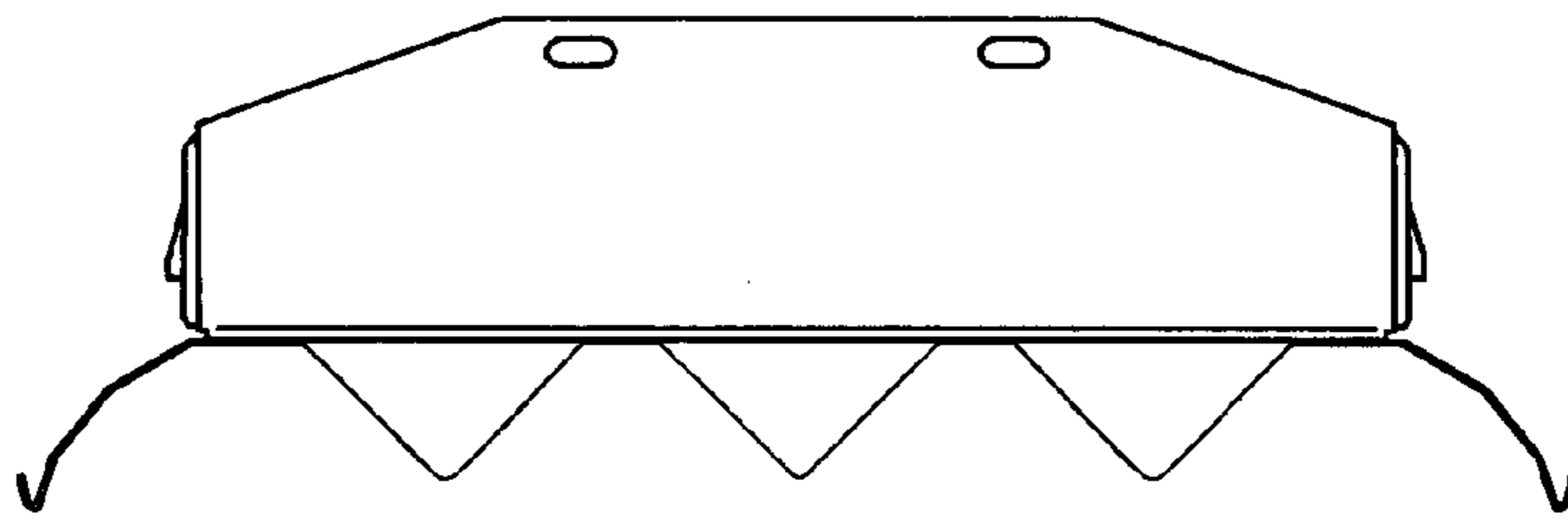


FIG. 2

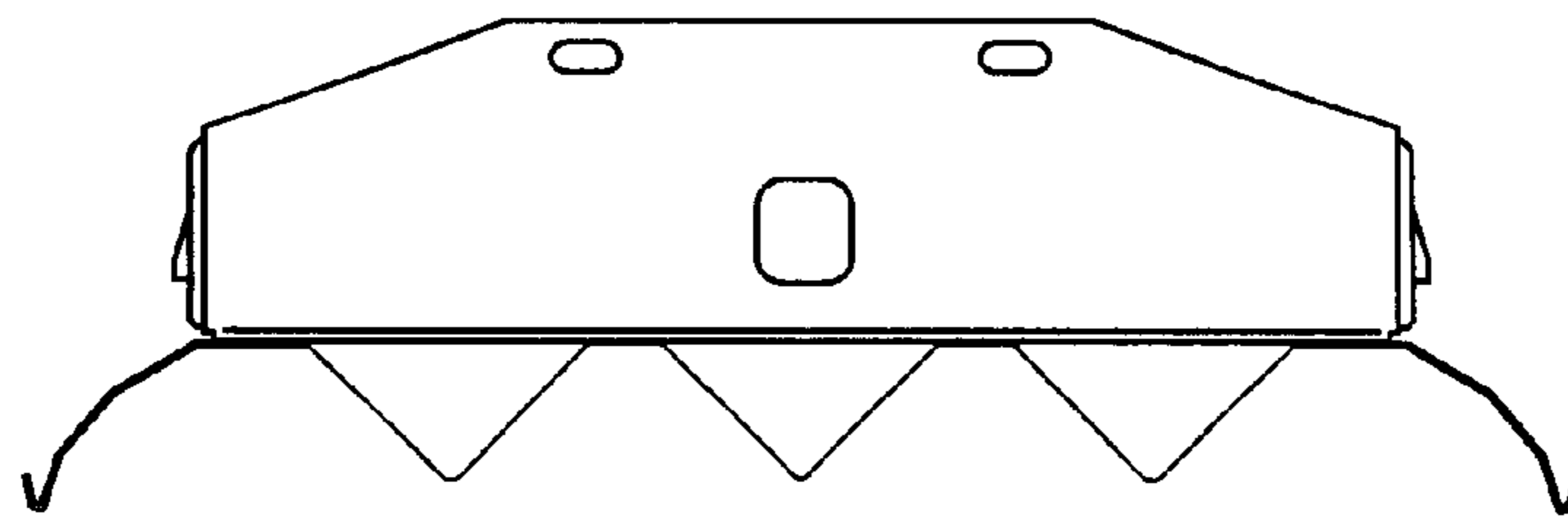


FIG. 3

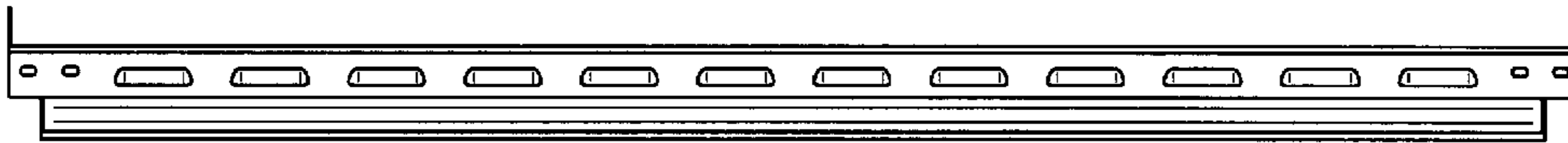


FIG. 4

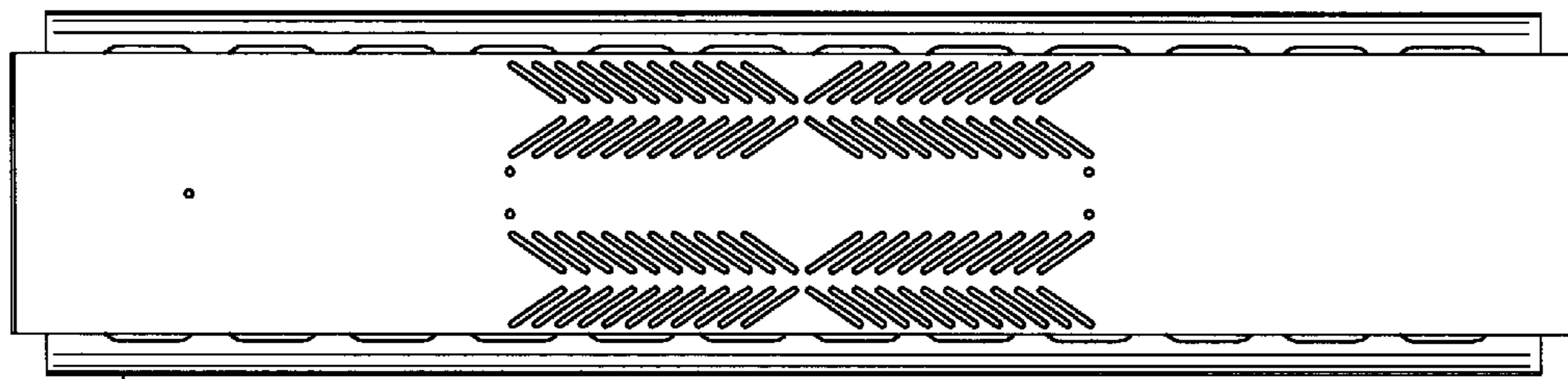


FIG. 5

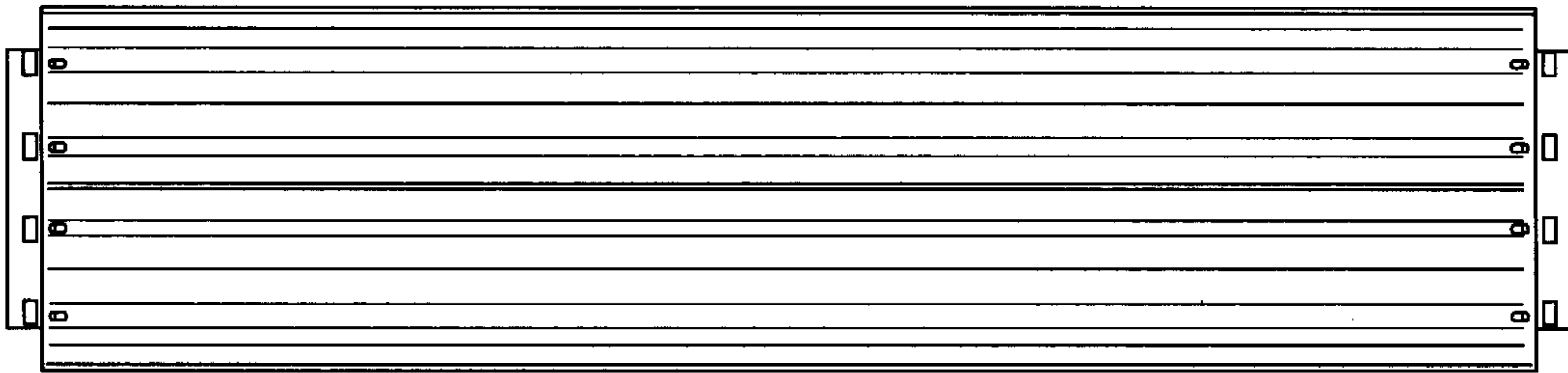


FIG. 6