

US00D544128S

(12) **United States Design Patent**
Carro

(10) **Patent No.:** **US D544,128 S**

(45) **Date of Patent:** **** Jun. 5, 2007**

(54) **DOWNLIGHT LAMP**

(75) Inventor: **Gabriel Carro**, Valencia (ES)

(73) Assignee: **Antares Iluminacion S.A.** (ES)

(**) Term: **14 Years**

(21) Appl. No.: **29/248,974**

(22) Filed: **Sep. 13, 2006**

(30) **Foreign Application Priority Data**

Mar. 14, 2006 (IT) 2006 O 000014

(51) **LOC (8) Cl.** **26-05**

(52) **U.S. Cl.** **D26/74; D26/63**

(58) **Field of Classification Search** D26/63-65,
D26/72, 75, 85-89, 118; 362/147, 148, 364-366
See application file for complete search history.

(56) **References Cited**

U.S. PATENT DOCUMENTS

2,802,933	A *	8/1957	Broadwin	362/366
2,922,030	A *	1/1960	Bobrick	362/366
4,623,956	A *	11/1986	Conti	362/148
5,457,617	A *	10/1995	Chan et al.	362/366
5,823,664	A *	10/1998	Demshki et al.	362/366
D410,295	S *	5/1999	Lueken et al.	D26/74

6,234,644	B1 *	5/2001	Kotovskey et al.	362/148
D472,337	S *	3/2003	Bernhart et al.	D26/63
D476,439	S *	6/2003	O'Rourke	D26/63
6,634,764	B2 *	10/2003	Kotovskey et al.	362/148
6,779,908	B1 *	8/2004	Ng	362/147
2001/0006462	A1 *	7/2001	Kotovskey et al.	362/364

* cited by examiner

Primary Examiner—Clare E Heflin

(74) *Attorney, Agent, or Firm*—McGlew & Tuttle, PC

(57) **CLAIM**

The ornamental design of the downlight lamp, as shown and described.

DESCRIPTION

FIG. 1 is a perspective view from below of my new downlight lamp design;

FIG. 2 is a perspective view from above thereof;

FIG. 3 is a front elevation view thereof, the rear elevation view being specular;

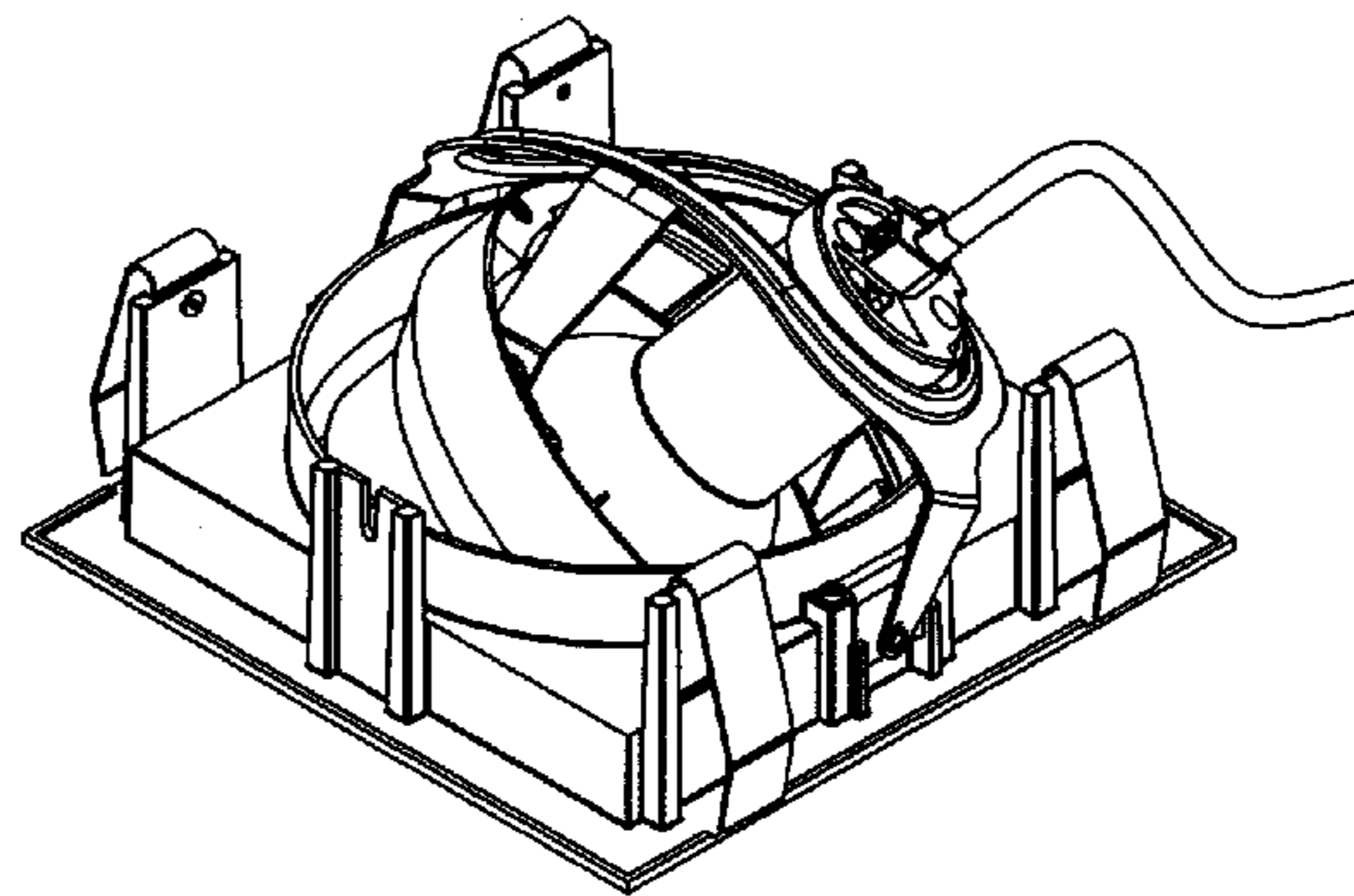
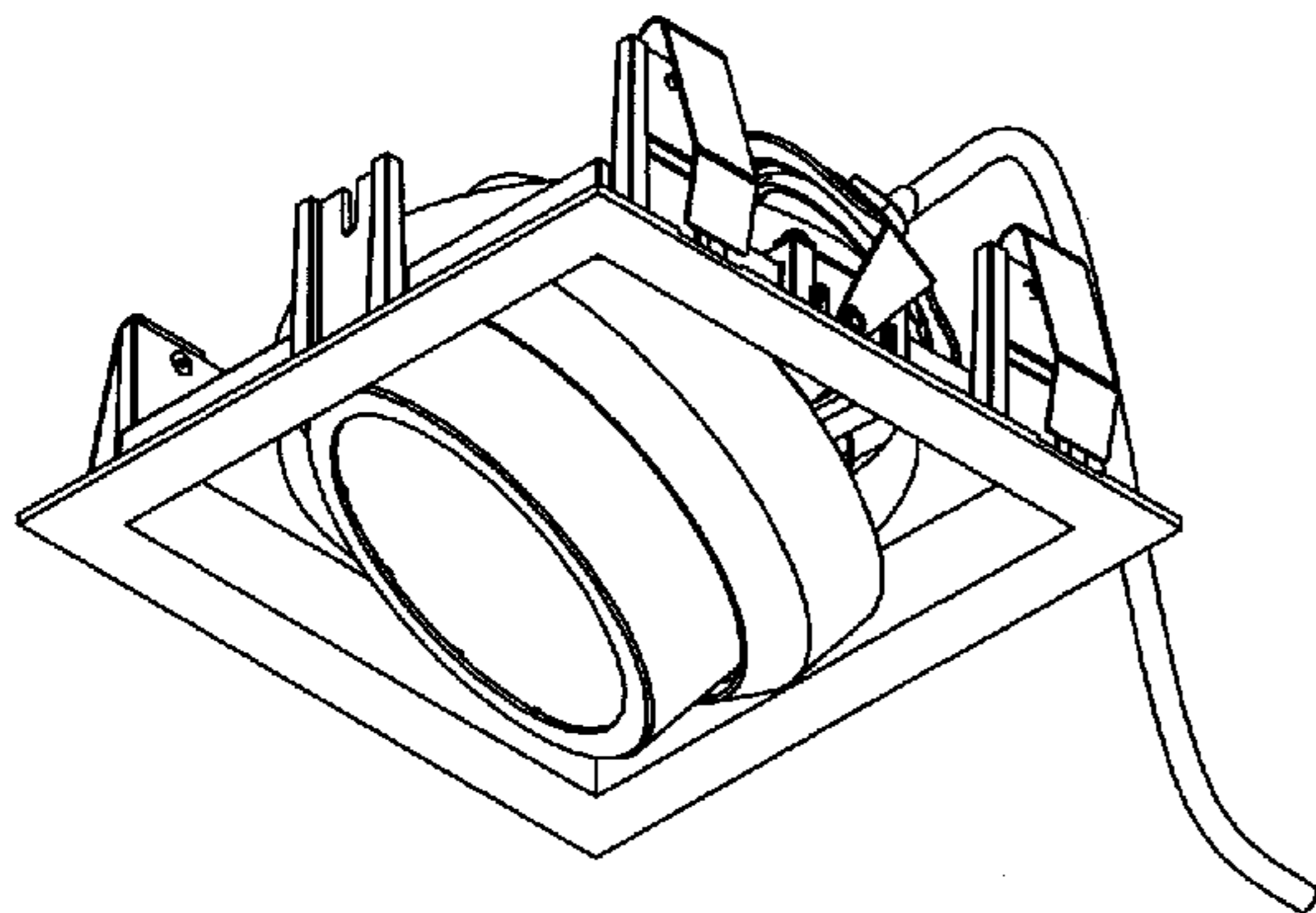
FIG. 4 is a bottom view thereof;

FIG. 5 is a top view thereof;

FIG. 6 is a right side view thereof; and,

FIG. 7 is a left side view thereof.

1 Claim, 3 Drawing Sheets



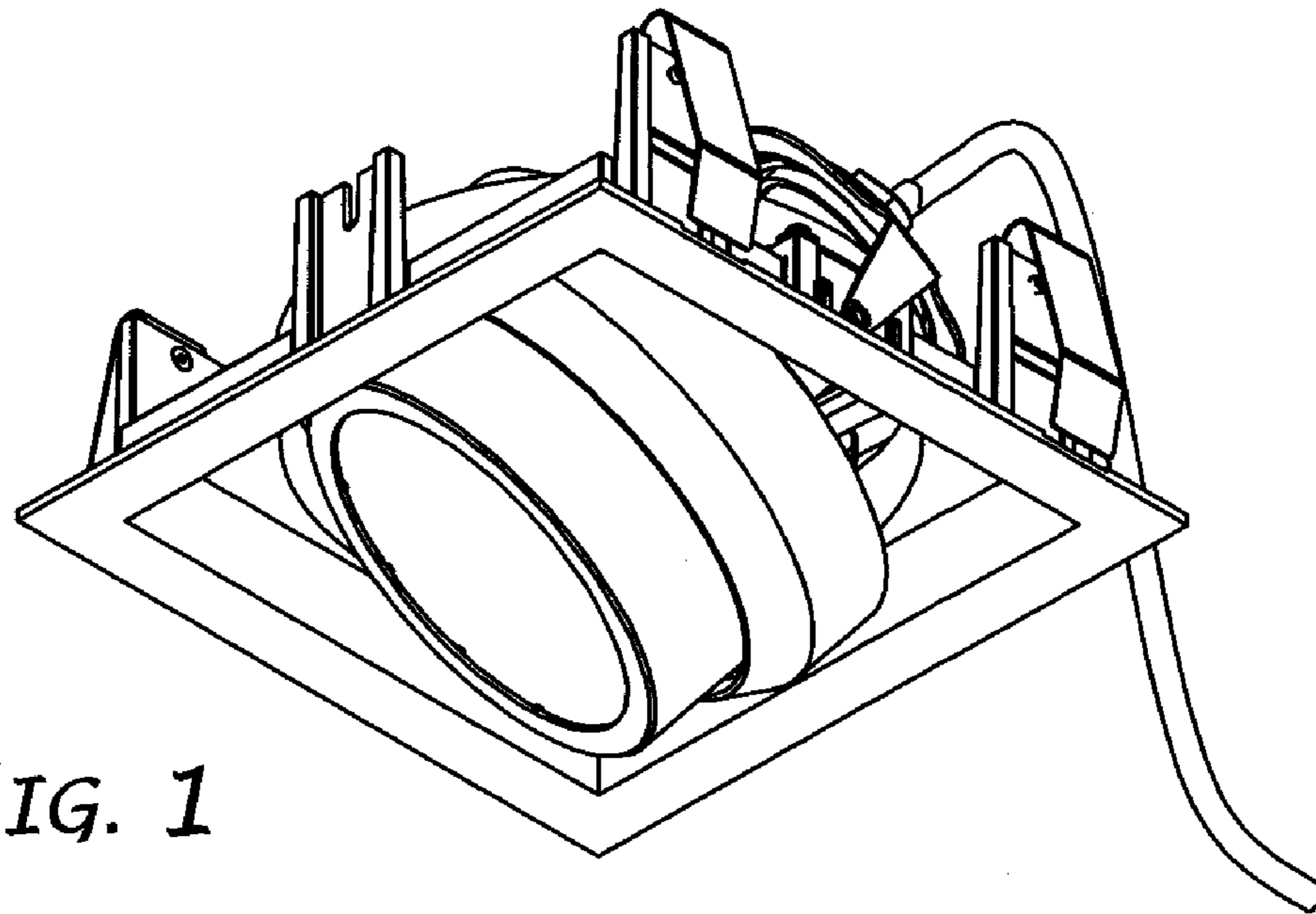


FIG. 1

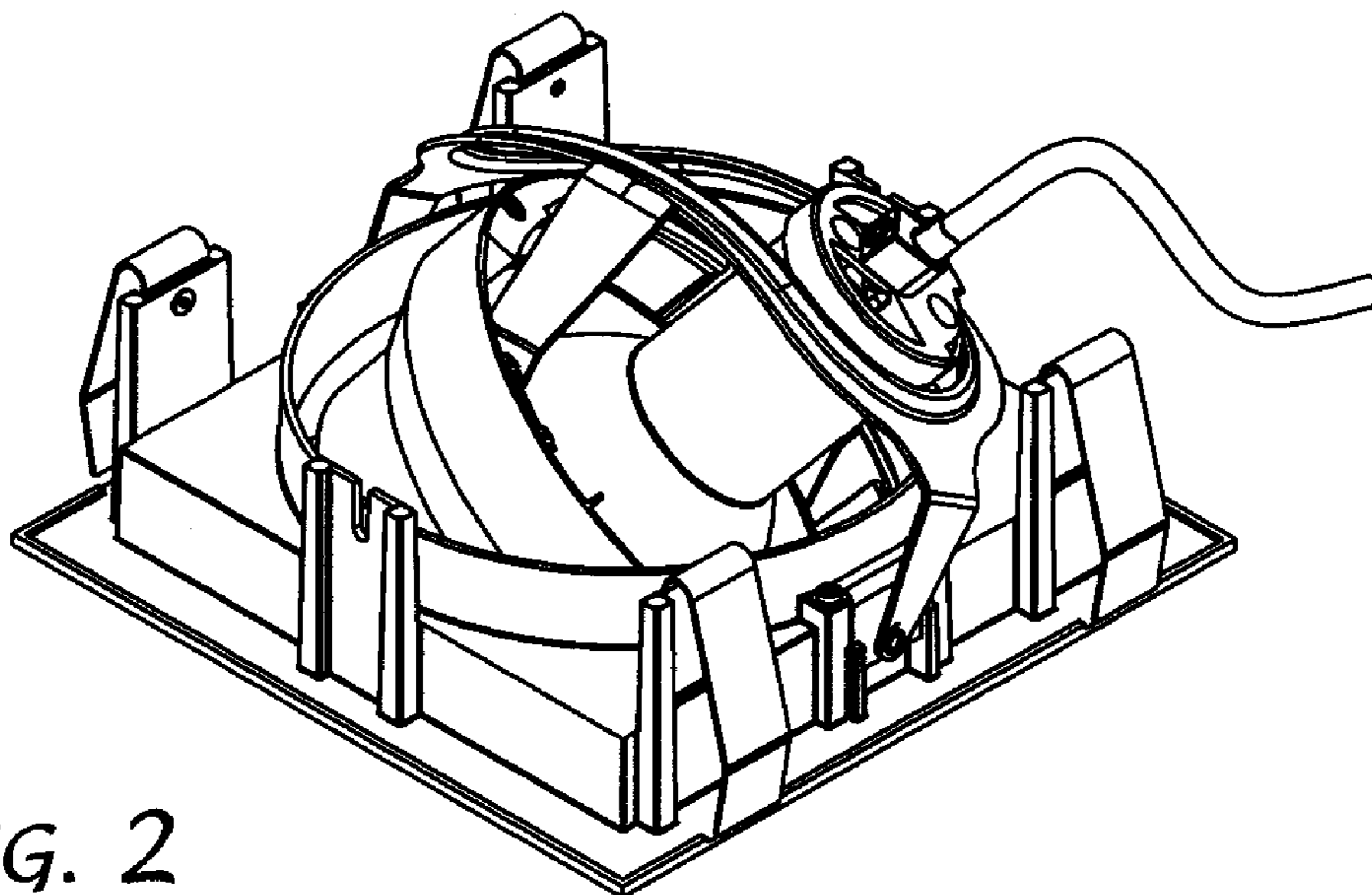


FIG. 2

FIG. 4

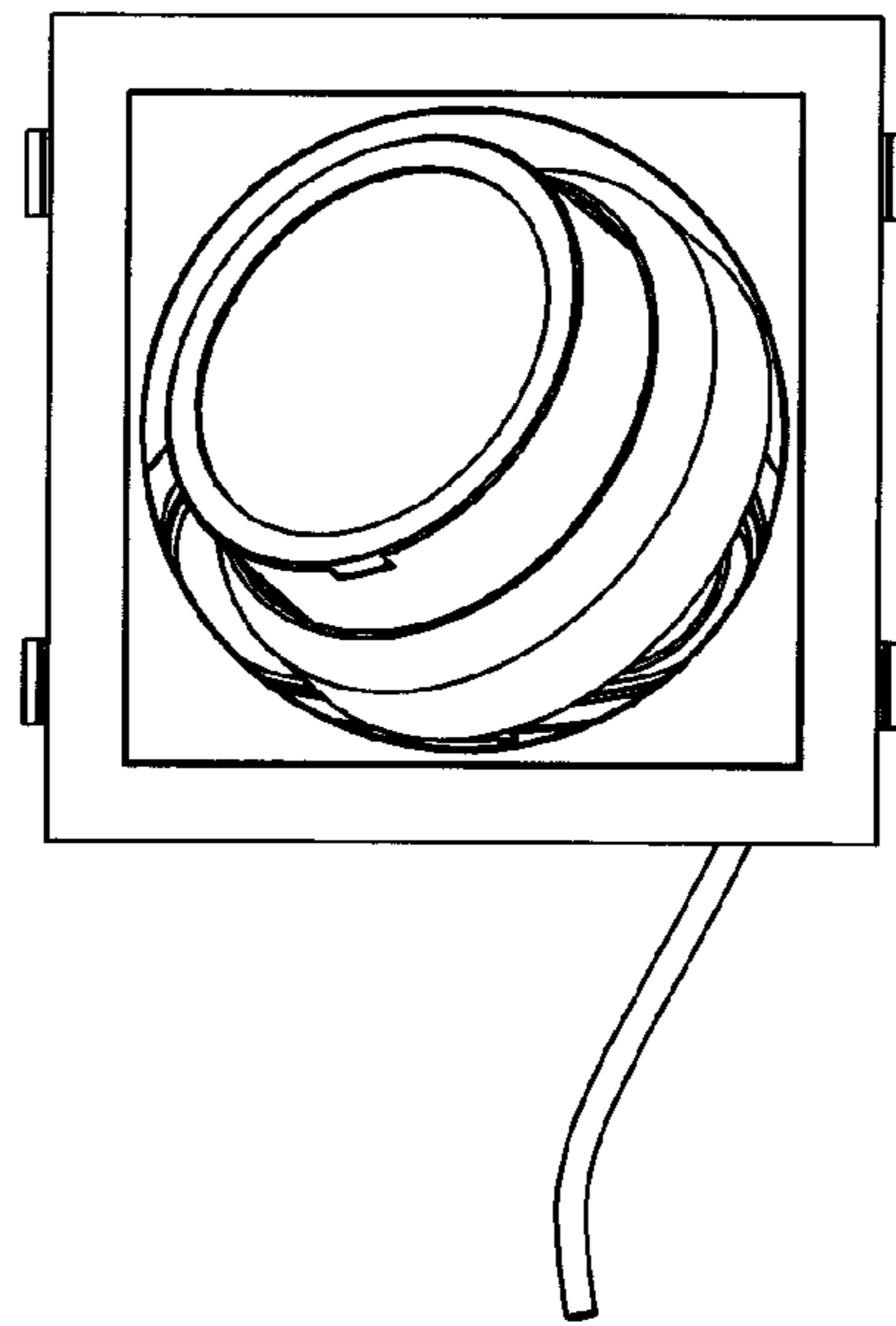


FIG. 3

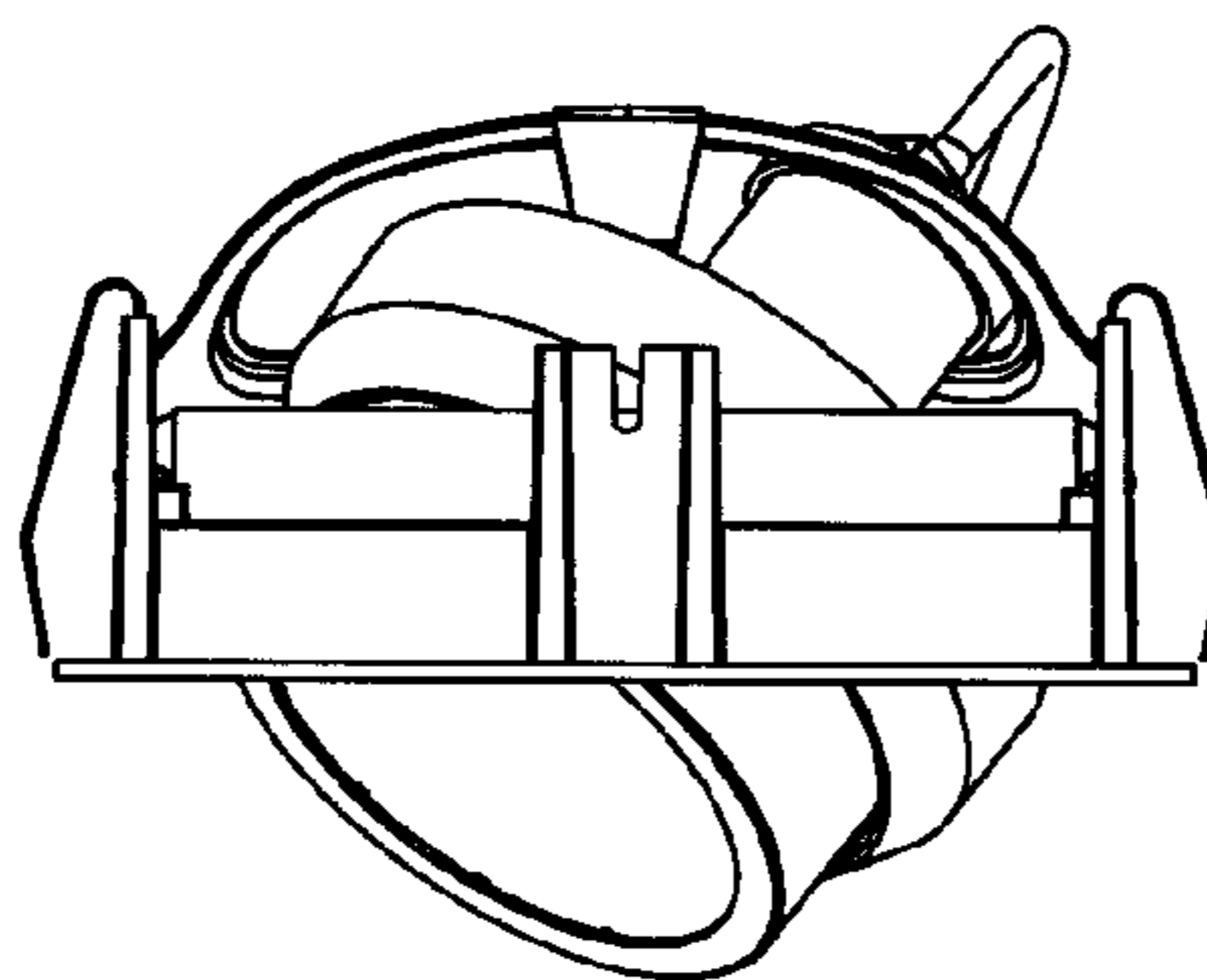
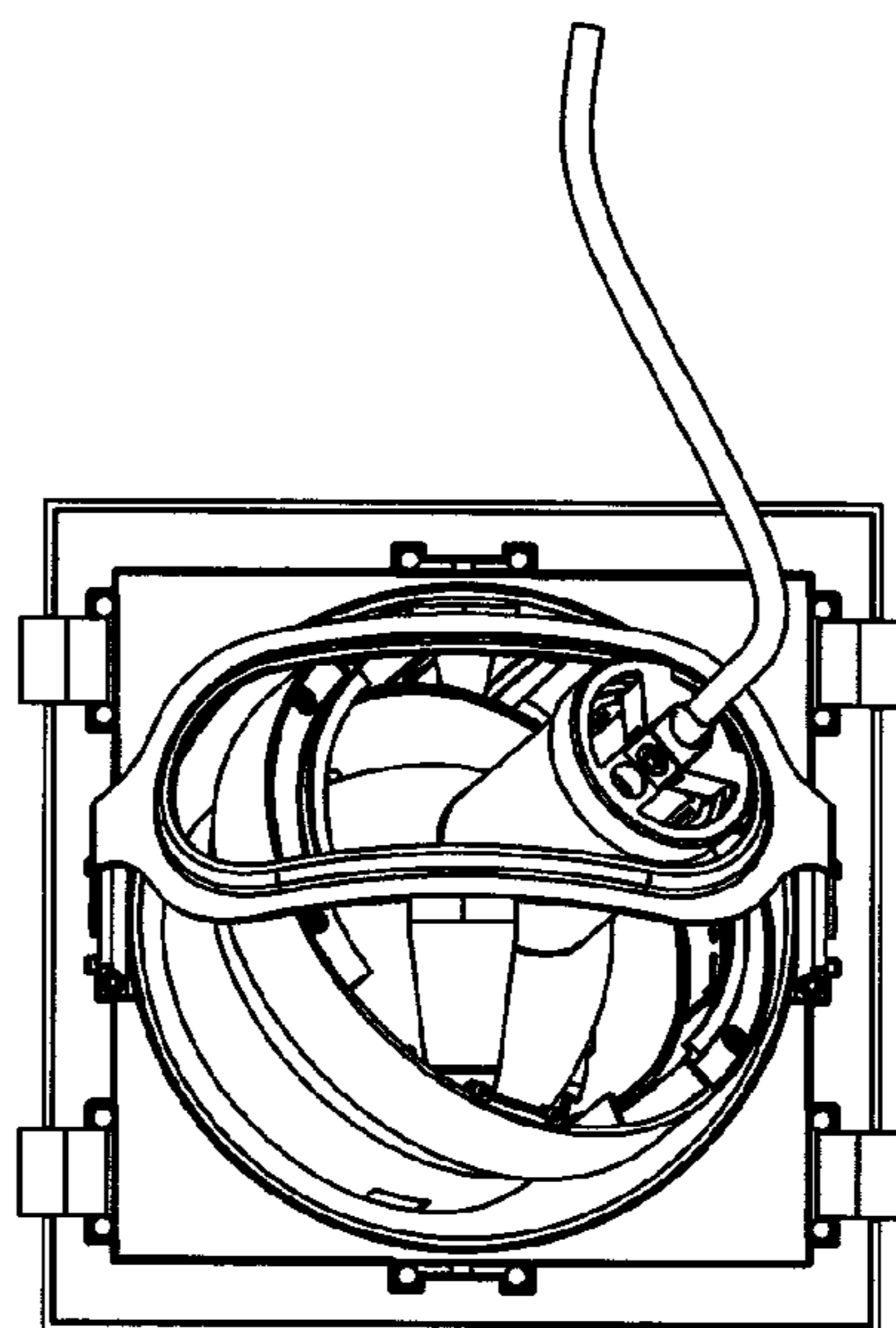


FIG. 5



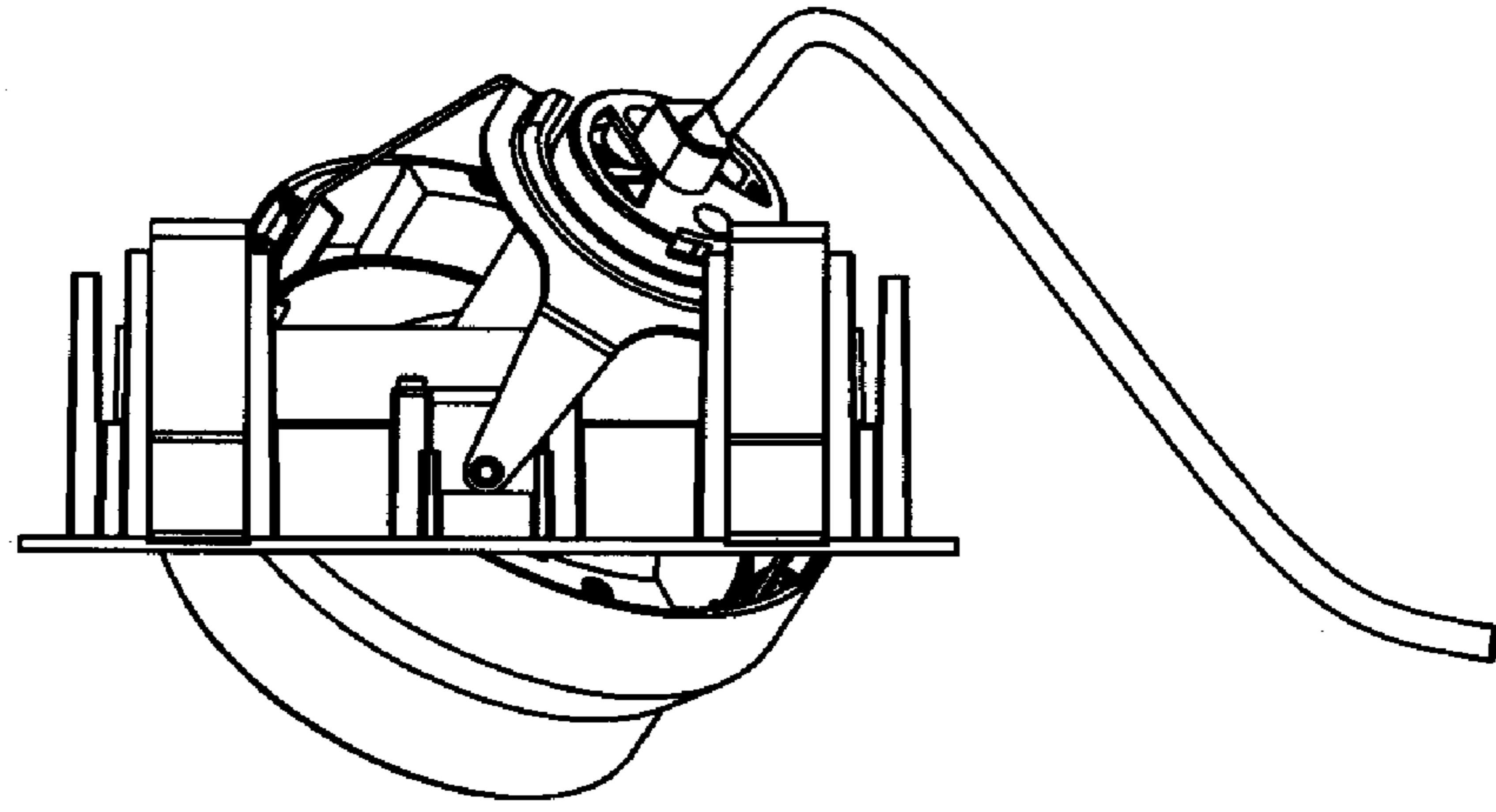


FIG. 6

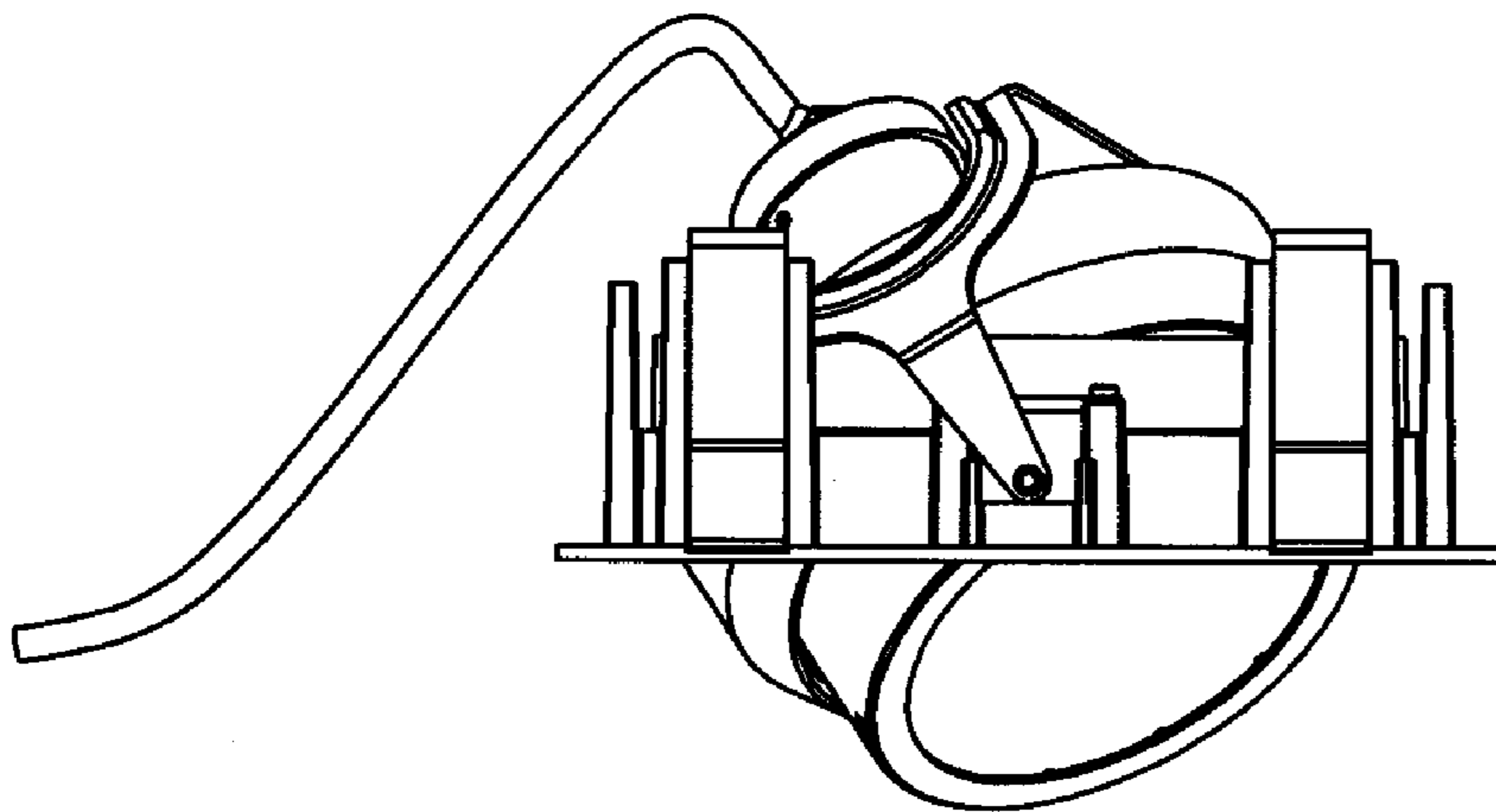


FIG. 7