

US00D544126S

(12) **United States Design Patent**
Stafford

(10) **Patent No.:** **US D544,126 S**
(45) **Date of Patent:** **** Jun. 5, 2007**

(54) **ILLUMINATED LIGHT**

(75) Inventor: **William Y. Stafford**, Minnetrista, MN
(US)

(73) Assignee: **Target Brands, Inc.**, Minneapolis, MN
(US)

(**) Term: **14 Years**

(21) Appl. No.: **29/214,478**

(22) Filed: **Oct. 4, 2004**

(51) **LOC (8) Cl.** **26-05**

(52) **U.S. Cl.** **D26/67; D26/76**

(58) **Field of Classification Search** **D26/67,**
D26/68, 72, 76, 85, 87, 92; D20/16, 41;
362/604, 632, 145, 147, 431, 812

See application file for complete search history.

(56) **References Cited**

U.S. PATENT DOCUMENTS

1,426,240	A	8/1922	Ziener	
D70,607	S	7/1926	Gerhart et al.	
1,629,946	A	5/1927	Angel	
1,904,192	A	4/1933	Benson	
2,260,082	A	10/1941	McCauley	
2,850,823	A	9/1958	Sauer	
3,116,027	A	12/1963	Kleppin	
4,264,945	A	4/1981	Ullman	
D331,198	S *	11/1992	Nickerson	D10/114
D350,369	S *	9/1994	Shafley	D20/10
5,416,997	A	5/1995	Dyment et al.	
5,560,131	A	10/1996	Gibson	
5,600,909	A	2/1997	Hooper	
D382,910	S *	8/1997	Greenfield	D20/17
D403,360	S *	12/1998	Cobb et al.	D20/41
D412,015	S	7/1999	Greenfield	
D423,164	S *	4/2000	McKeown et al.	D34/1
6,050,012	A	4/2000	Greenfield	

6,256,912	B1	7/2001	Gibson et al.	
6,450,657	B1	9/2002	Testa et al.	
D471,241	S *	3/2003	Spiller	D20/41
D471,934	S *	3/2003	Linko, Sr.	D20/41
D474,245	S *	5/2003	Abro	D20/41
D479,355	S *	9/2003	Dalton et al.	D26/67
6,682,204	B2	1/2004	Mullally et al.	
D529,217	S *	9/2006	Wood	D26/67

* cited by examiner

Primary Examiner—Clare E Heflin

(74) *Attorney, Agent, or Firm*—Dicke, Billig & Czaja,
P.L.L.C.

(57) **CLAIM**

The ornamental design for an illuminated light, as shown and described.

DESCRIPTION

FIG. 1 is a perspective view of an illuminated light according to a first embodiment of the invention.

FIG. 2 is a front view of an illuminated light according to an embodiment of the invention.

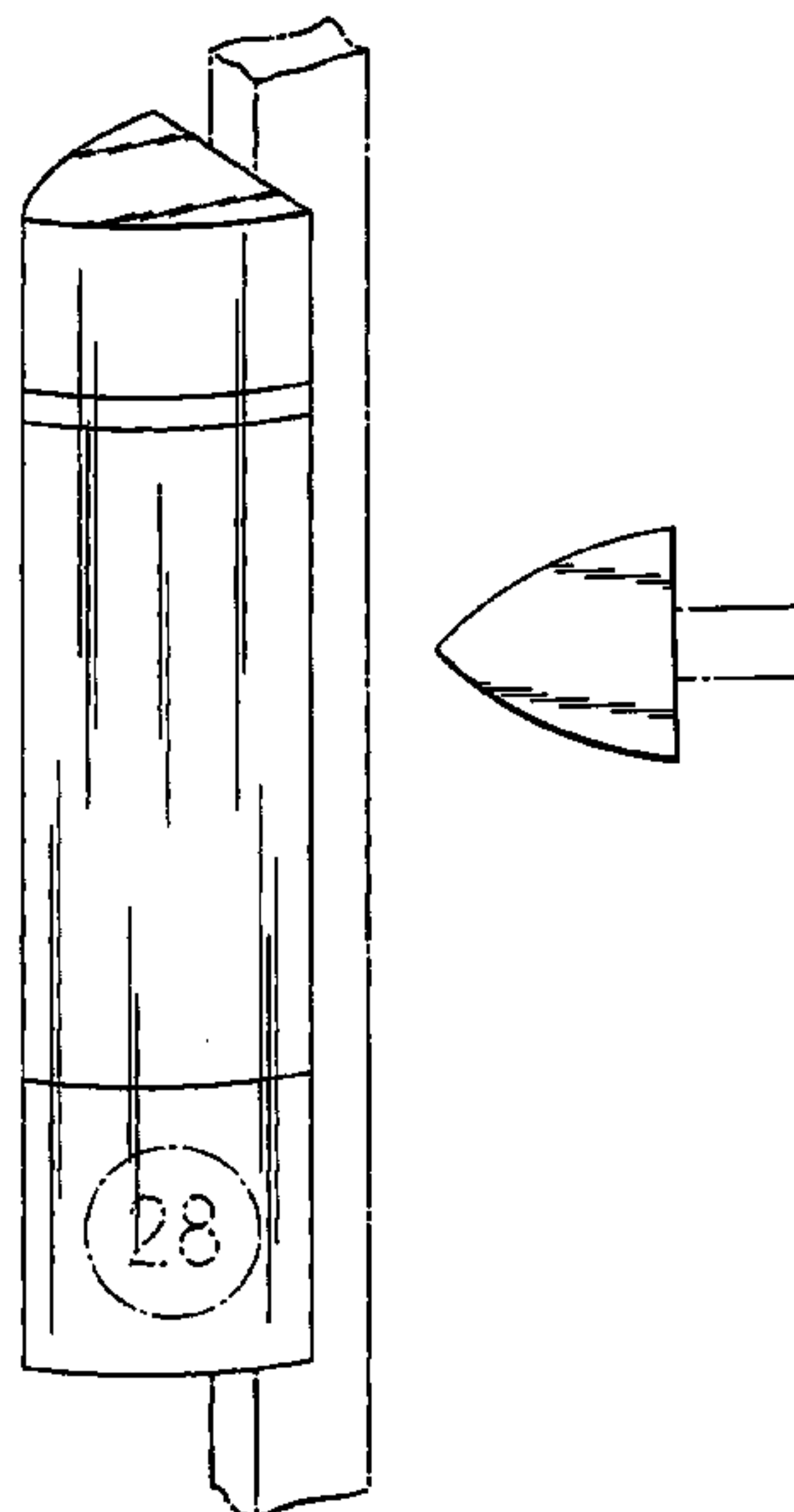
FIG. 3 is a rear view of an illuminated light according to an embodiment of the invention.

FIG. 4 is a right side view of an illuminated light according to an embodiment of the invention. The left side view of an illuminated light according to an embodiment of the invention is a mirror image of the right side view illustrated in FIG. 4.

FIG. 5 is a top view of an illuminated light according to an embodiment of the invention. The top view of an illuminated light according to an embodiment of the invention is identical to the top view illustrated in FIG. 5.

Features shown with broken lines in the figures described below form no part of the design to be patented.

1 Claim, 3 Drawing Sheets



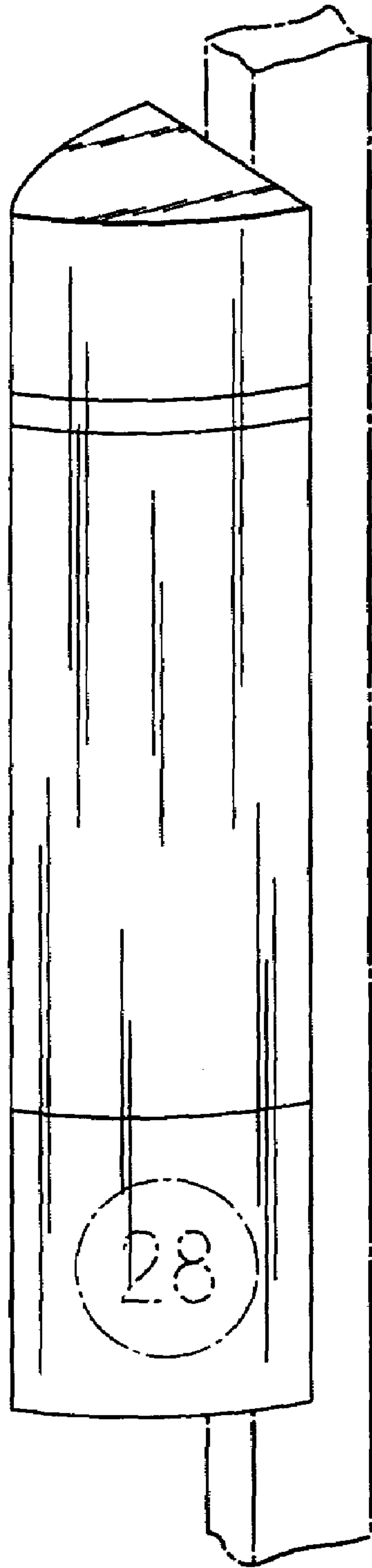


Fig. 1

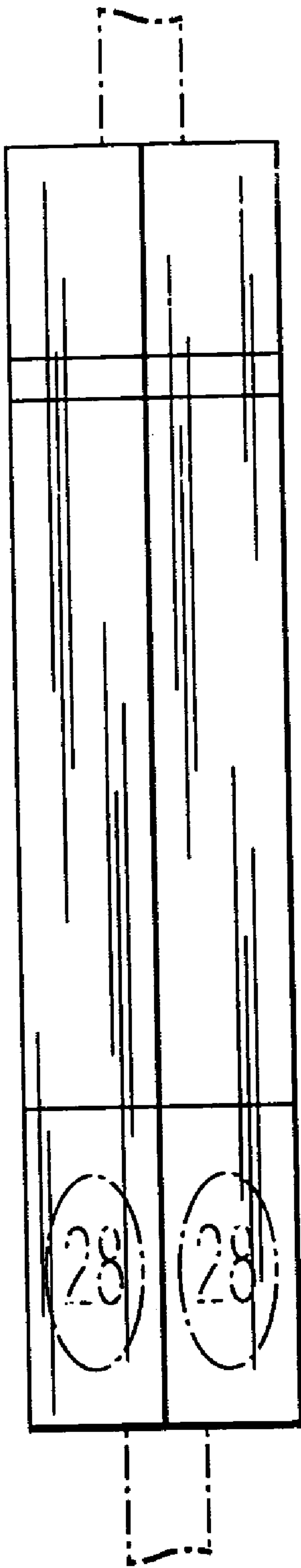


Fig. 2

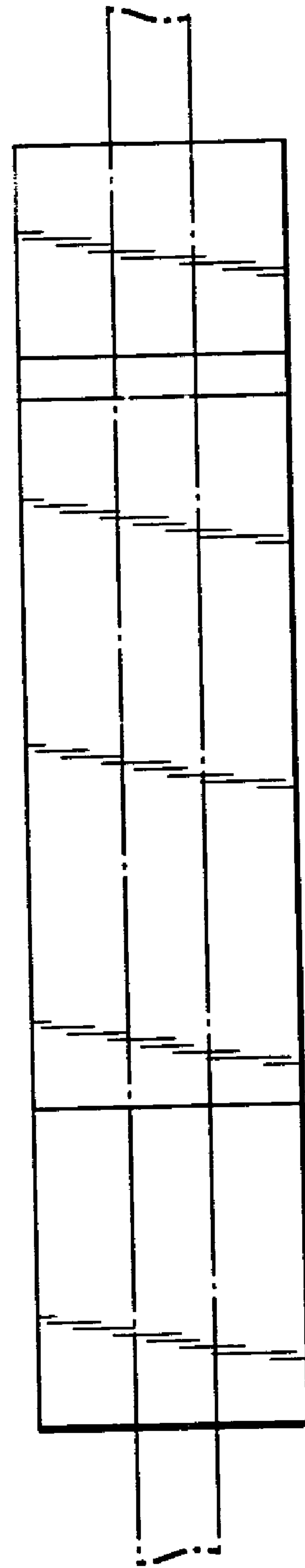


Fig. 3

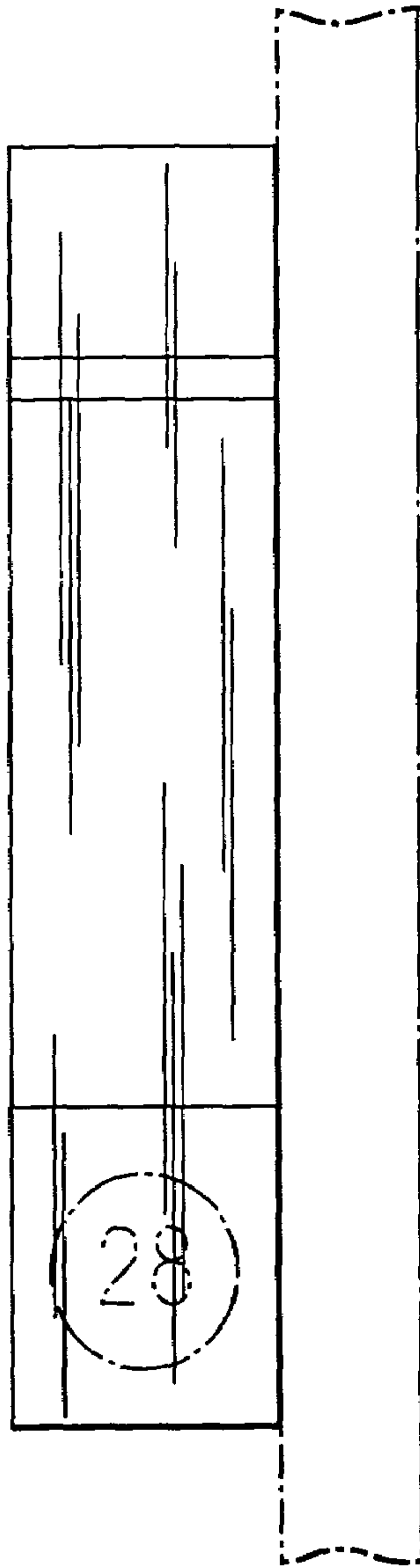


Fig. 4

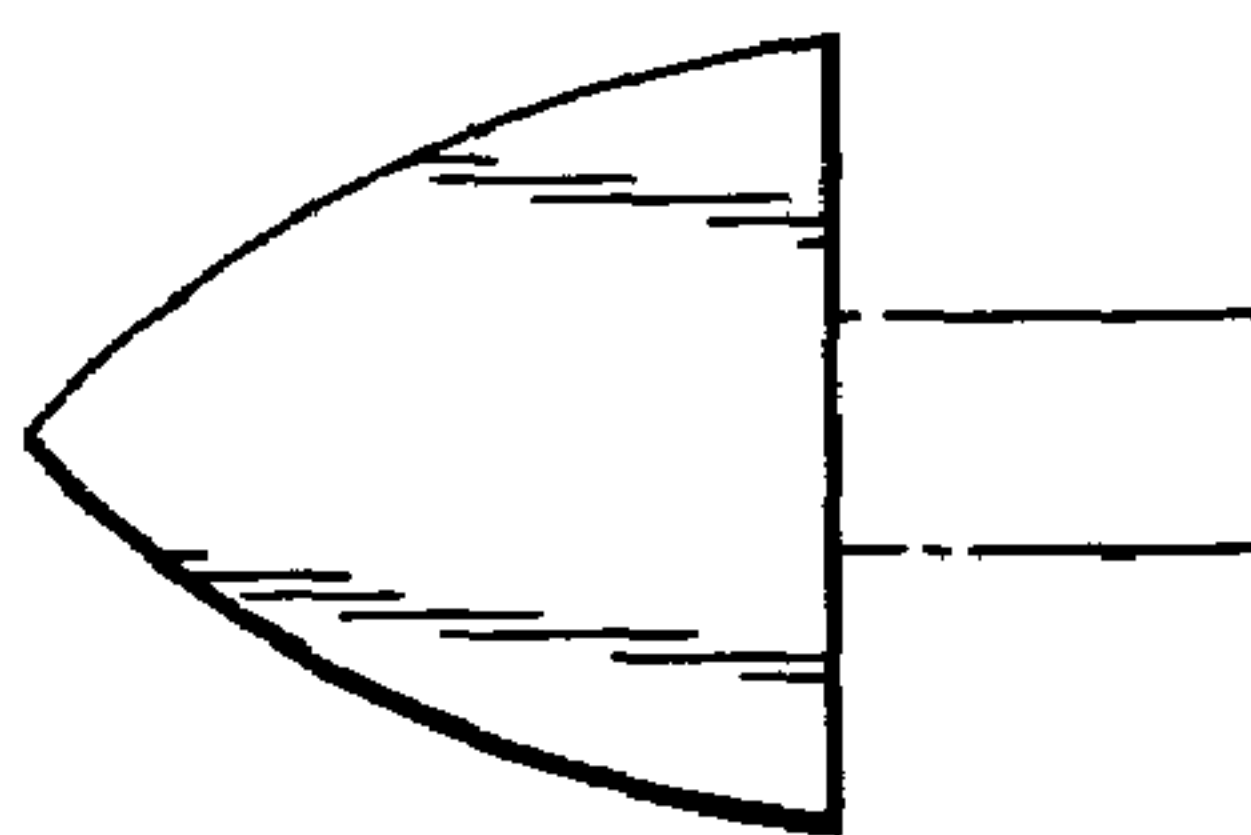


Fig. 5