



US00D544124S

(12) **United States Design Patent**
Chan

(10) **Patent No.:** **US D544,124 S**

(45) **Date of Patent:** **** Jun. 5, 2007**

(54) **CLIP-ON BOOKLIGHT**

(75) Inventor: **Yau Hon Chan**, Tuen Mun (HK)

(73) Assignee: **Polylink Hong Kong** (HK)

(**) Term: **14 Years**

(21) Appl. No.: **29/251,154**

(22) Filed: **Jan. 4, 2006**

(51) **LOC (8) Cl.** **26-05**

(52) **U.S. Cl.** **D26/60; D26/43**

(58) **Field of Classification Search** D26/37,
D26/43, 44, 60-63, 65; 362/98, 99, 109-114,
362/191, 197, 198, 287, 427, 396
See application file for complete search history.

(56) **References Cited**

U.S. PATENT DOCUMENTS

D427,703 S	*	7/2000	Chan	D26/60
D448,104 S	*	9/2001	Weitzman et al.	D26/65
6,361,184 B1	*	3/2002	Hallgrimsson et al.	362/427
6,808,289 B2	*	10/2004	Reed	362/198

D498,322 S	*	11/2004	Schnell	D26/60
D509,012 S	*	8/2005	Chan	D26/60
D529,651 S	*	10/2006	Chan	D26/60
D531,339 S	*	10/2006	Lee et al.	D26/60

* cited by examiner

Primary Examiner—Clare E Heflin

(74) *Attorney, Agent, or Firm*—Lilling & Lilling, PLLC;
Bruce E. Lilling; Sean Liam Kelleher

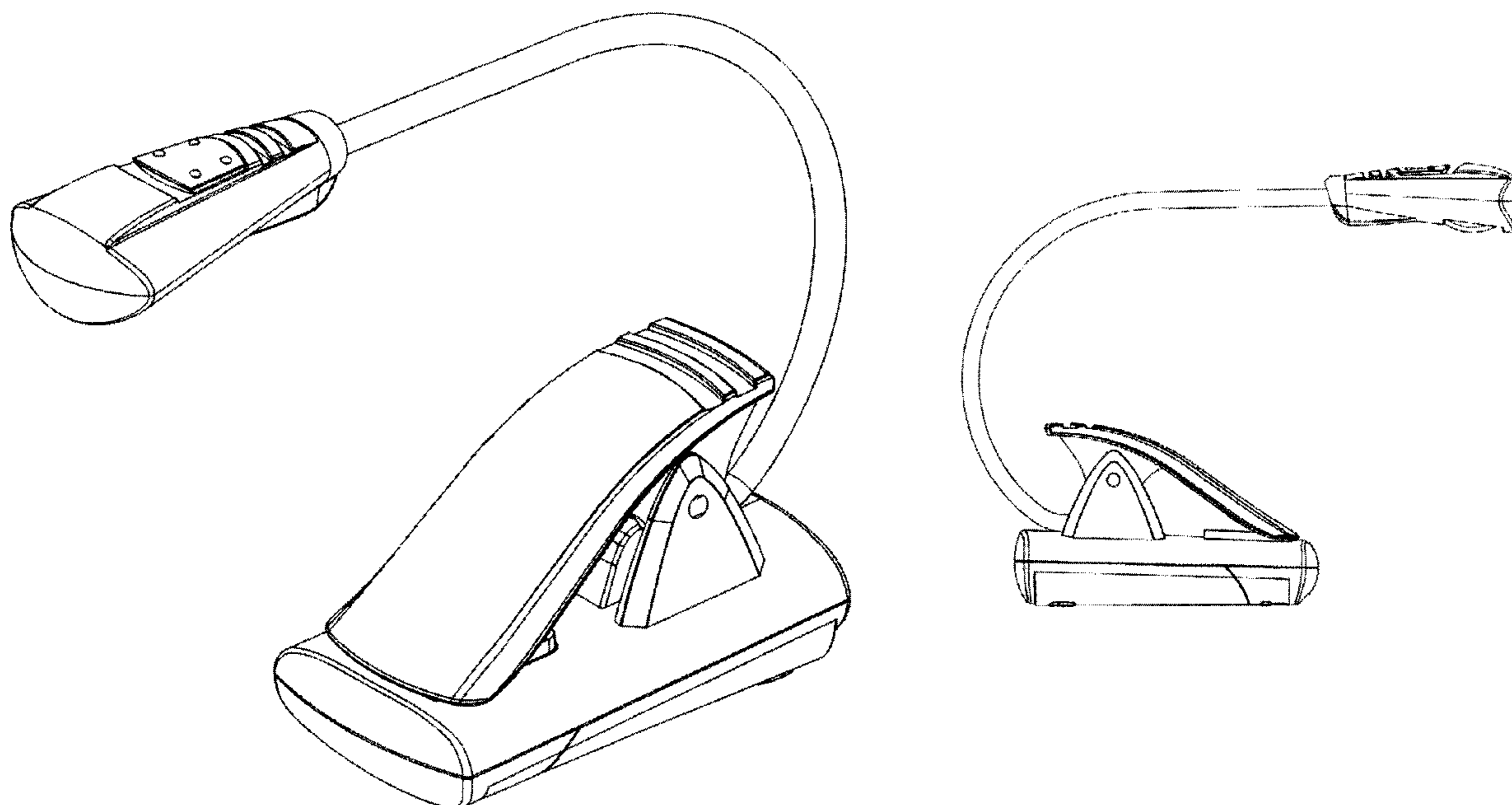
(57) **CLAIM**

The ornamental design for a clip-on booklight, as shown and described.

DESCRIPTION

FIG. 1 is a perspective view of my new and novel design; FIG. 2 is a left-side view of my new and novel design, the right-side view being a mirror image thereof; FIG. 3 is a bottom view of my new and novel design; FIG. 4 is a top view of my new and novel design; FIG. 5 is a front view of my new and novel design; and, FIG. 6 is a rear side view of my new and novel design.

1 Claim, 3 Drawing Sheets



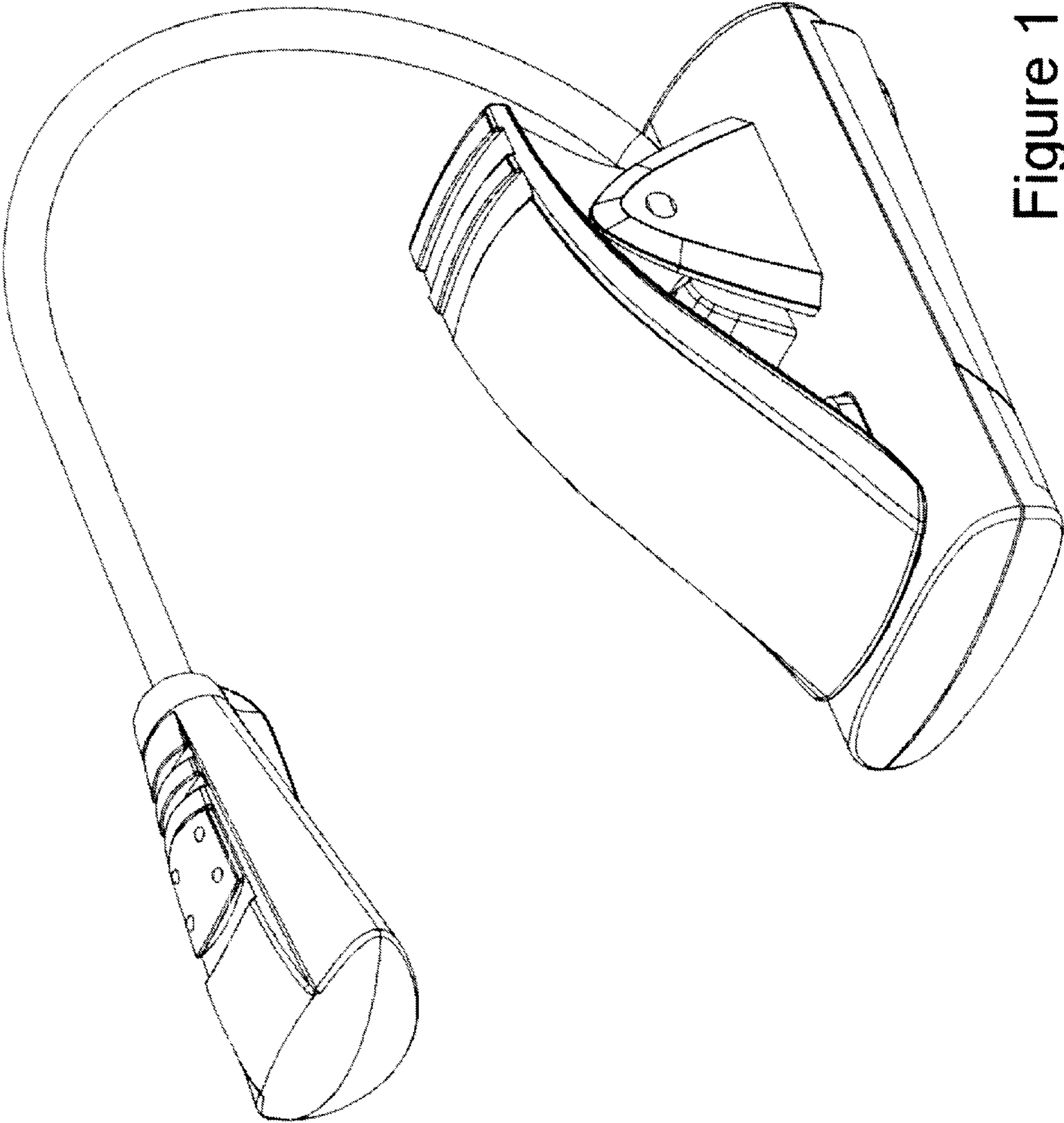


Figure 1

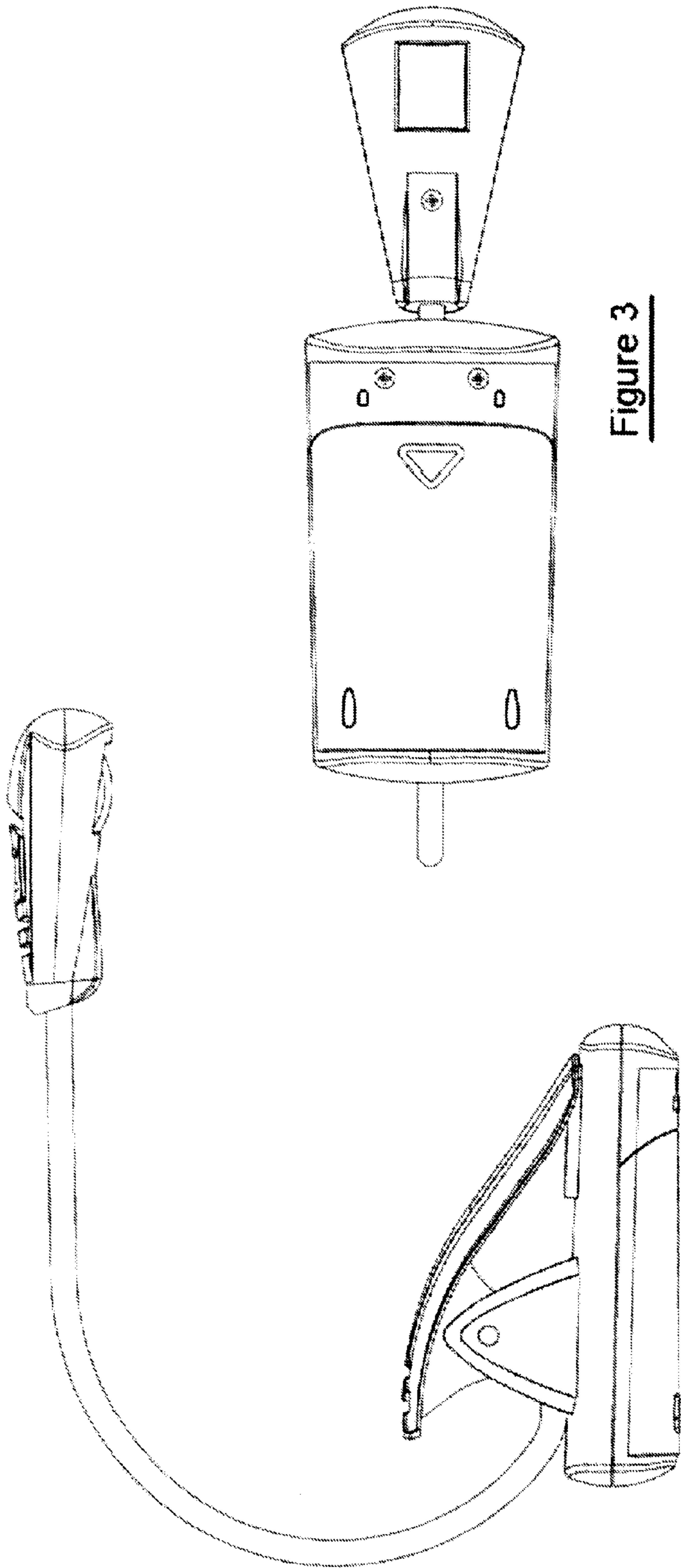


Figure 2

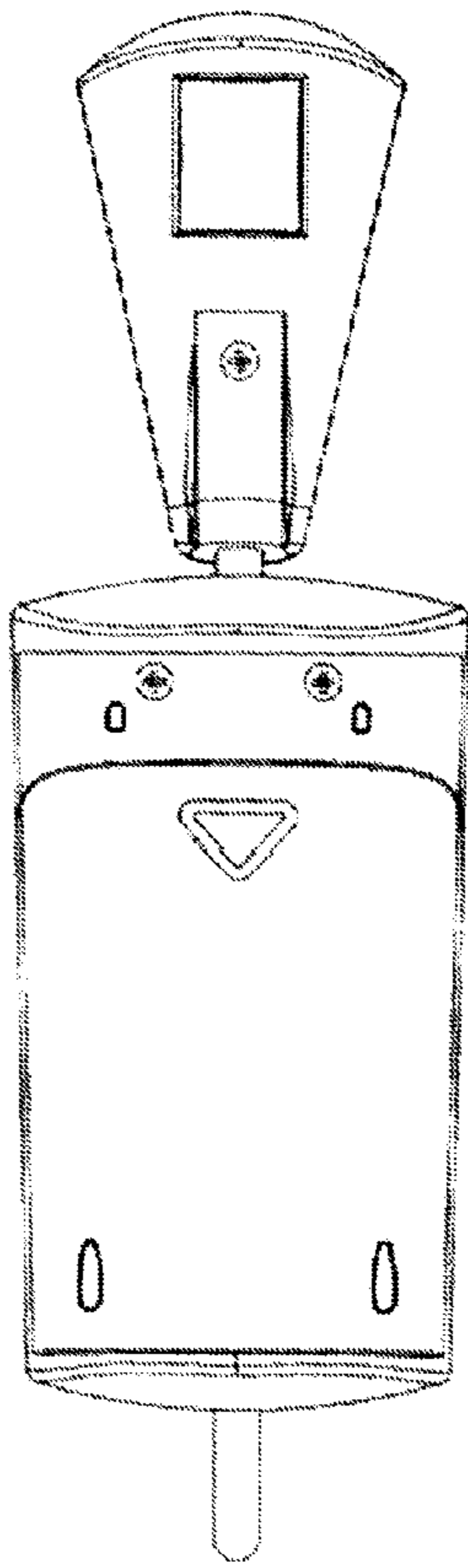


Figure 3

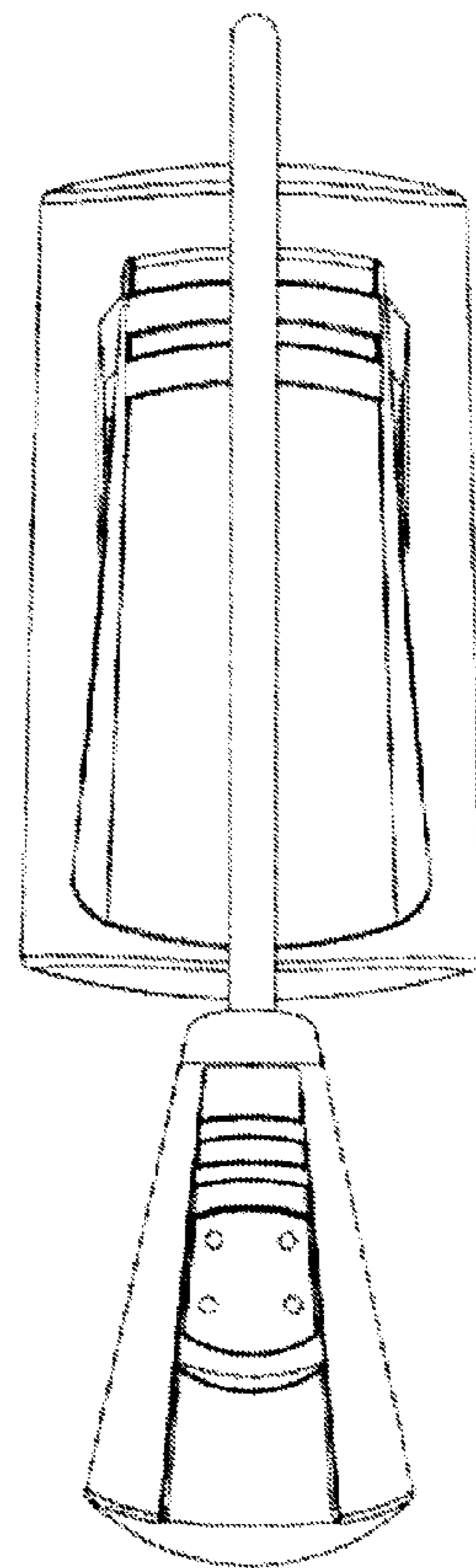


Figure 4

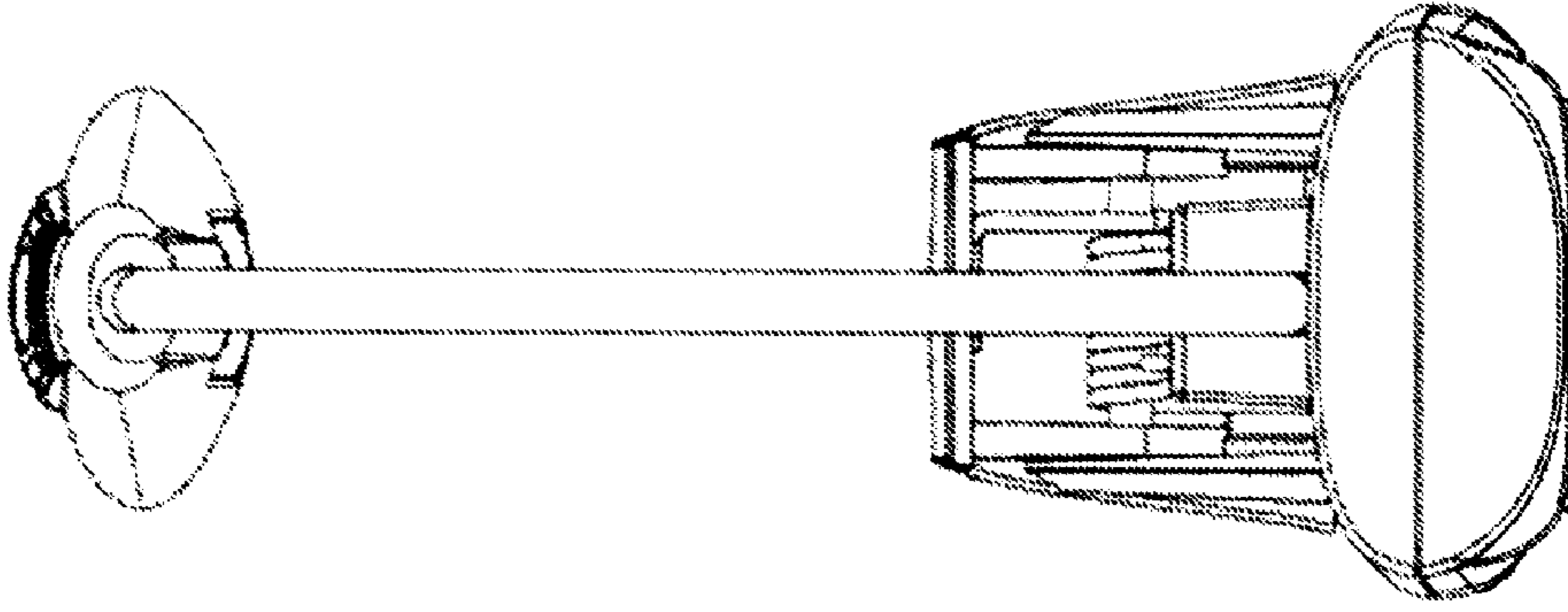


Figure 6

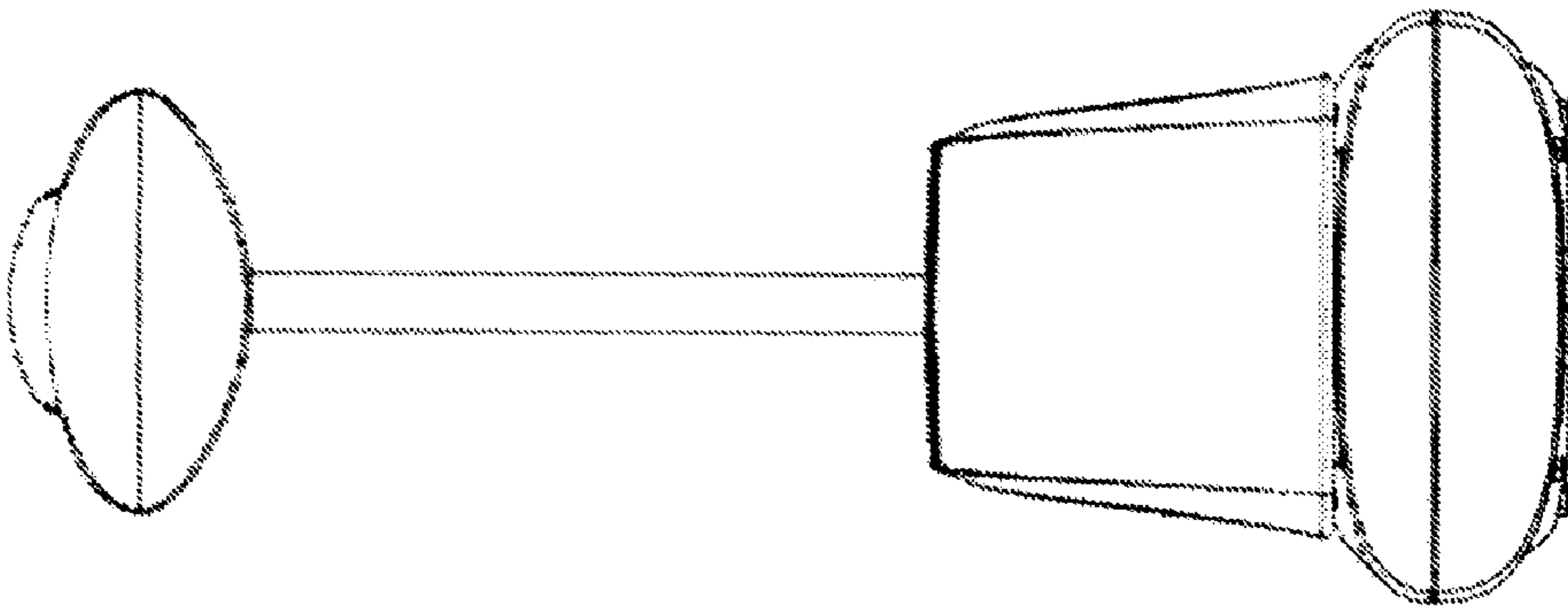


Figure 5