



US00D544122S

(12) **United States Design Patent**
Yuen

(10) **Patent No.:** **US D544,122 S**

(45) **Date of Patent:** **** Jun. 5, 2007**

(54) **SEARCHLIGHT WITH ELECTRO-OPTICAL
COLD LIGHT EMITTING FEATURE**

D508,579 S * 8/2005 Kim et al. D26/46
D520,165 S * 5/2006 Yuen D26/46
D531,336 S * 10/2006 Yuen D26/46

(76) Inventor: **Se Kit Yuen**, 6/F, Yau Lee Centre, 45
Hoi Yuen Road, Kwun Tong, Kowloon
(HK)

* cited by examiner

Primary Examiner—Marcus A. Jackson

(74) *Attorney, Agent, or Firm*—Akerman Senterfitt

(**) Term: **14 Years**

(57) **CLAIM**

(21) Appl. No.: **29/259,501**

The ornamental design of a searchlight with electro-optical cold light emitting feature, as shown and described.

(22) Filed: **May 9, 2006**

(30) **Foreign Application Priority Data**

Apr. 13, 2006 (HK) 0600976

(51) **LOC (8) Cl.** **26-02**

(52) **U.S. Cl.** **D26/46**

(58) **Field of Classification Search** D26/37-50;
362/157, 158, 171-174, 183-208

See application file for complete search history.

DESCRIPTION

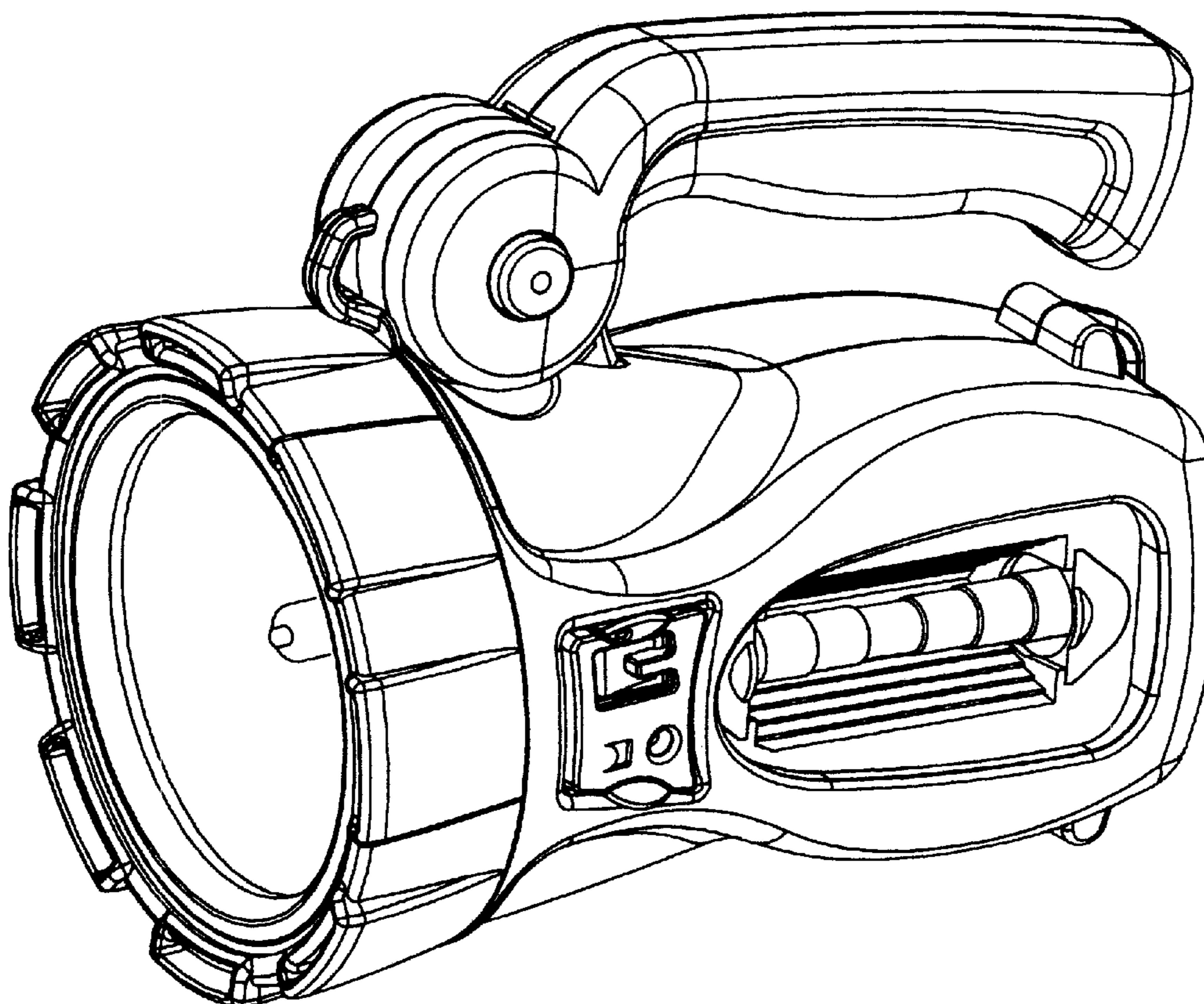
FIG. 1 is a perspective view of the searchlight with electro-optical cold light emitting feature;
FIG. 2 is a front view thereof;
FIG. 3 is a rear view thereof;
FIG. 4 is a left side view thereof;
FIG. 5 is a right side view thereof
FIG. 6 is a top view thereof;
FIG. 7 is a bottom view thereof; and,
FIG. 8 is an alteration view of the searchlight with electro-optical cold light emitting feature.

(56) **References Cited**

U.S. PATENT DOCUMENTS

D430,323 S * 8/2000 Yuen D26/46
D443,708 S * 6/2001 Lynch et al. D26/46

1 Claim, 5 Drawing Sheets



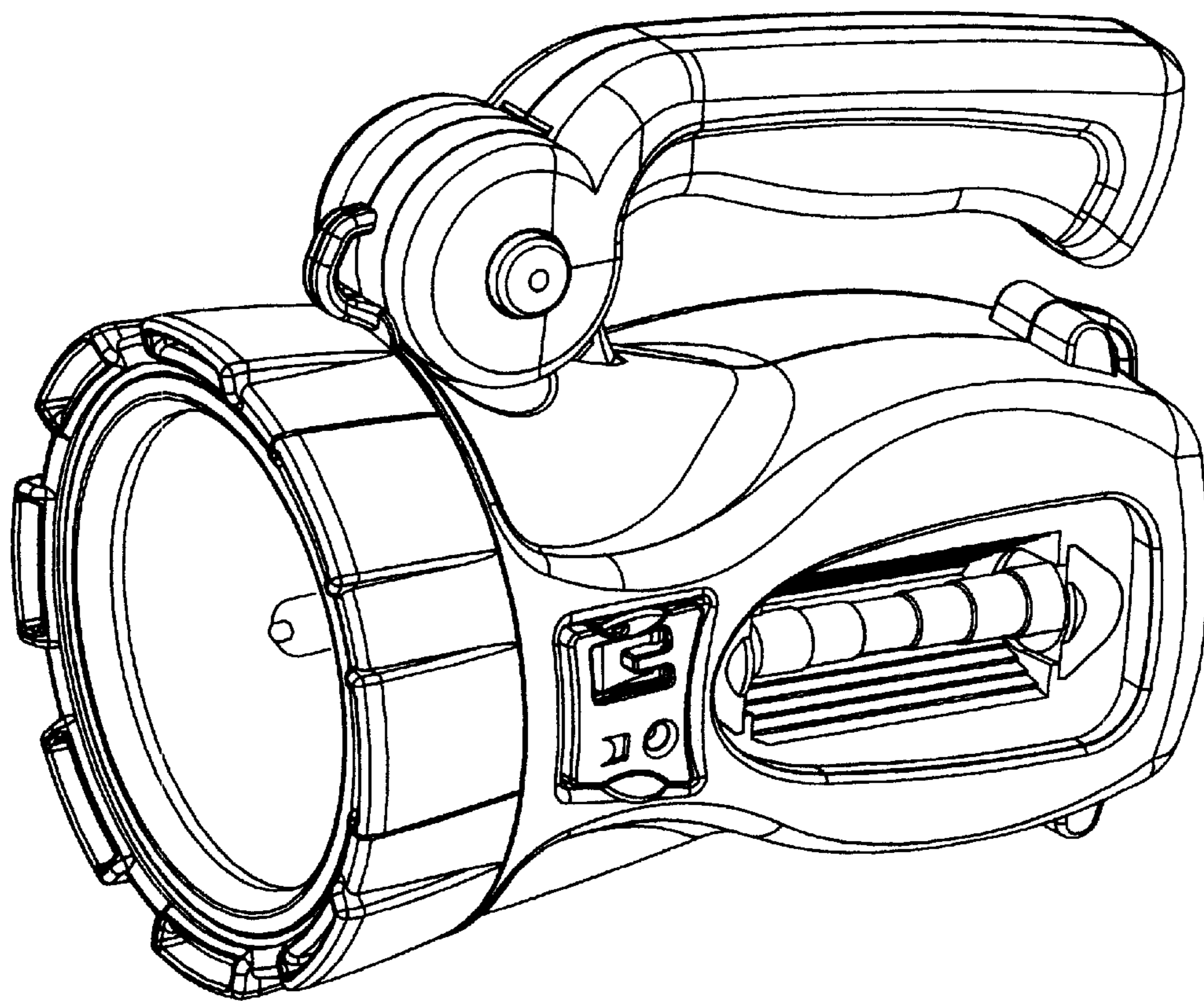


FIG. 1

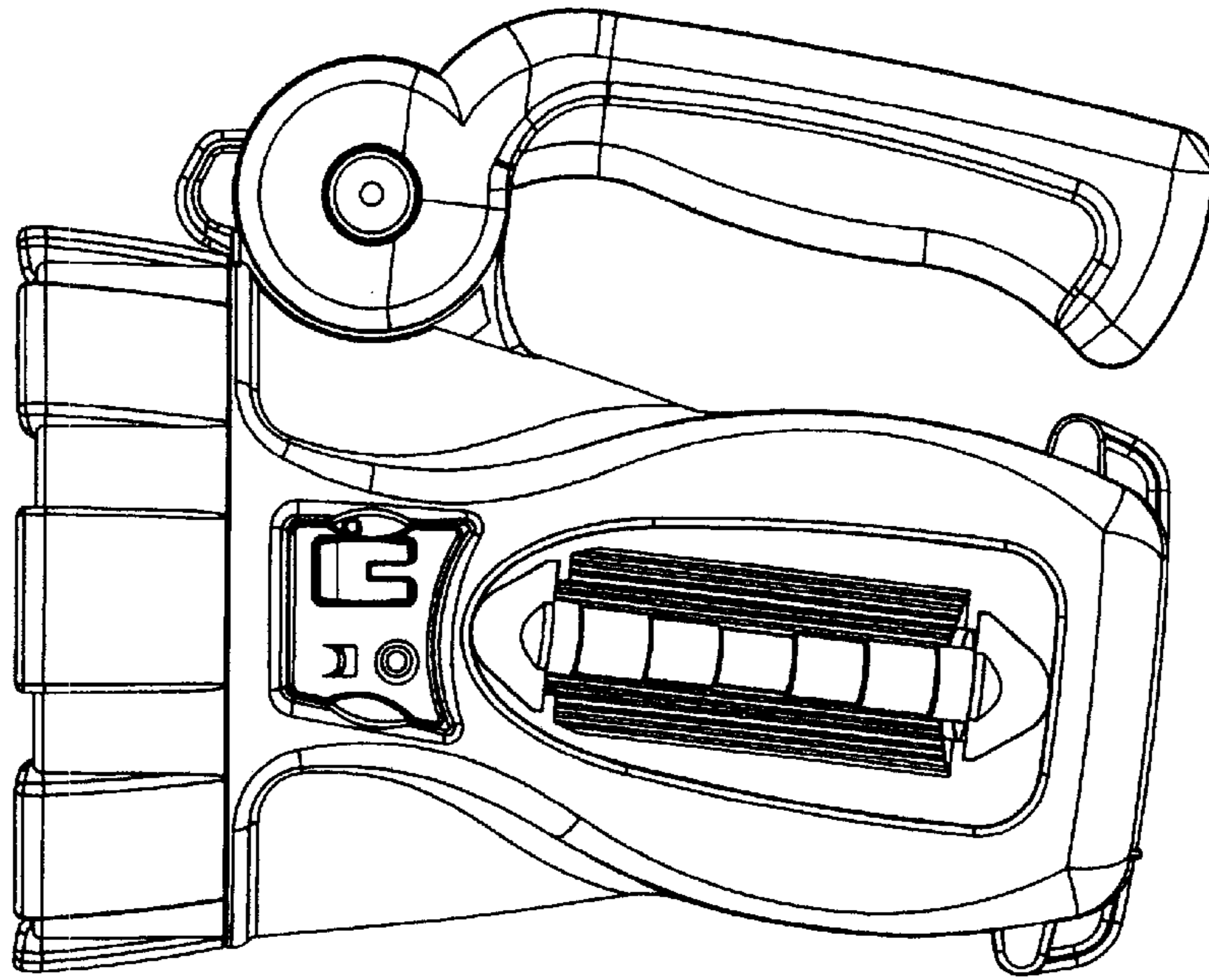


FIG. 2

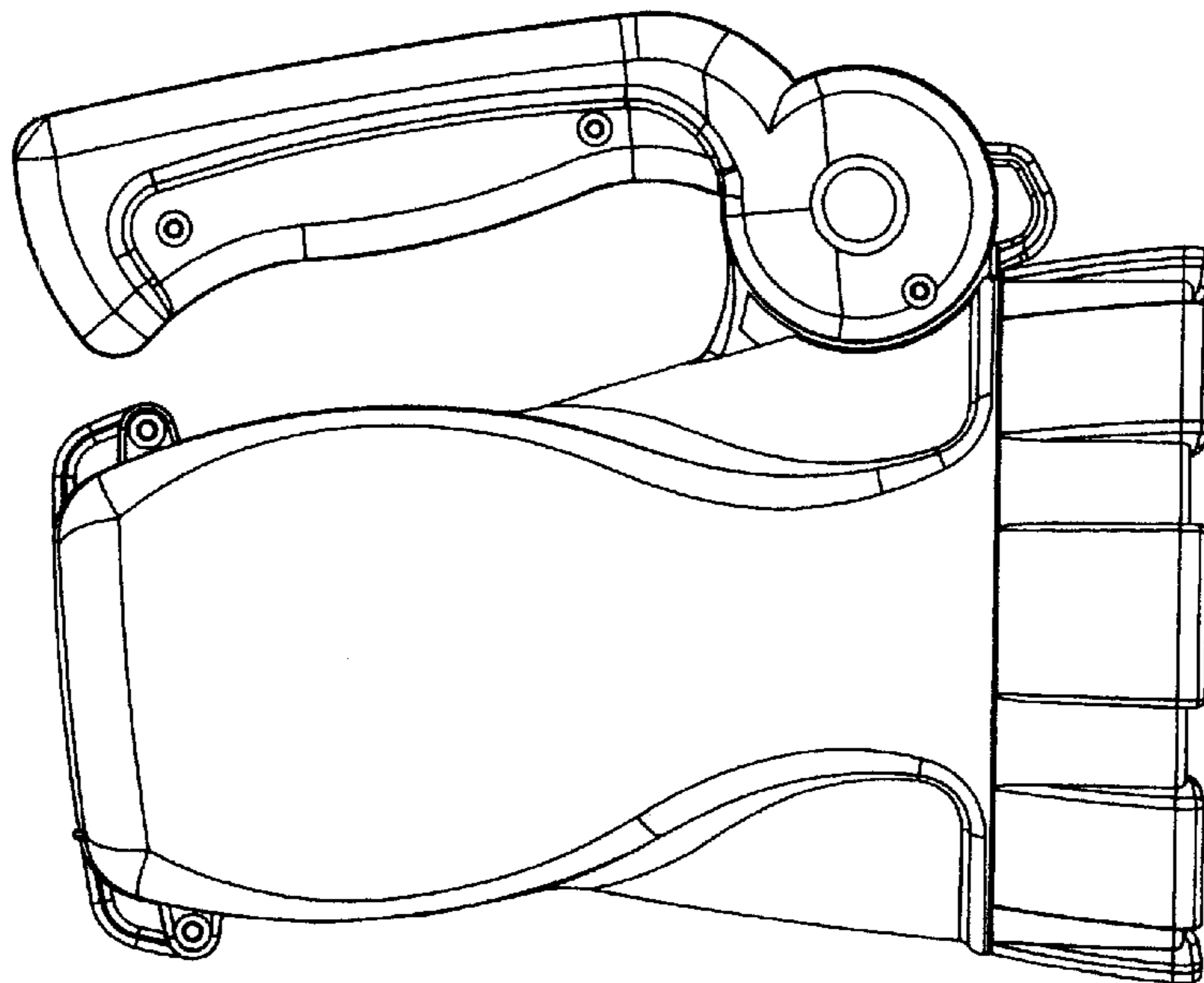


FIG. 3

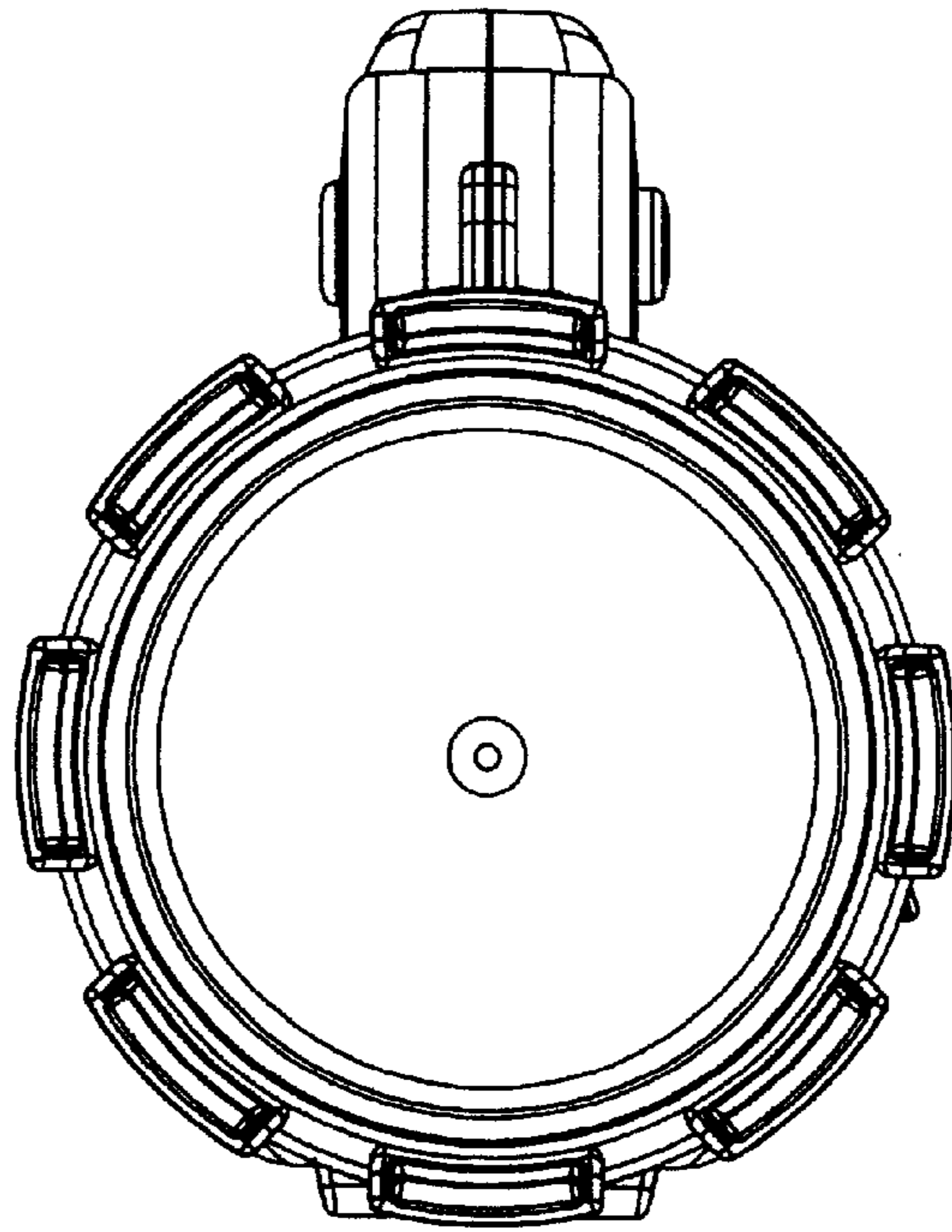


FIG. 4

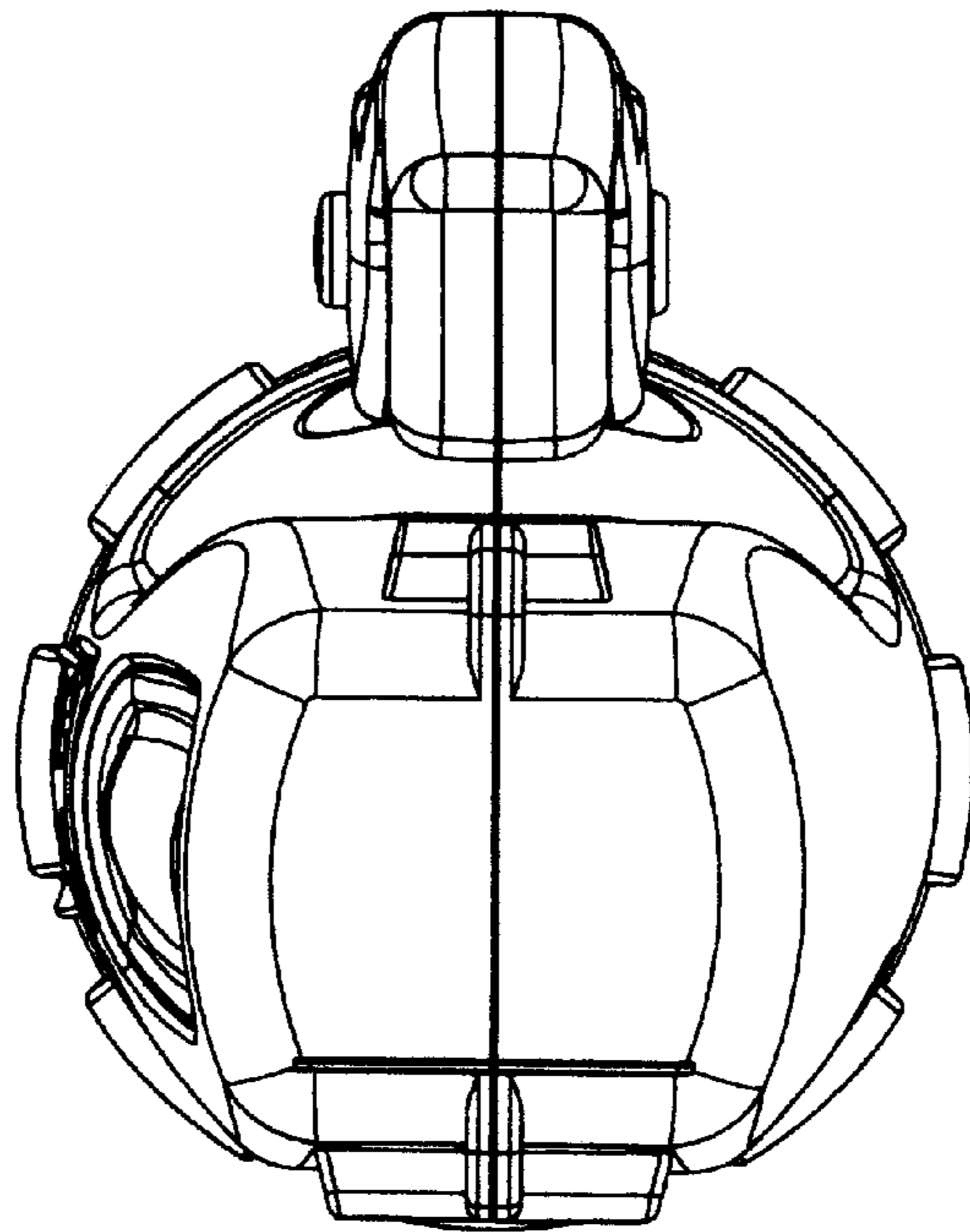


FIG. 5

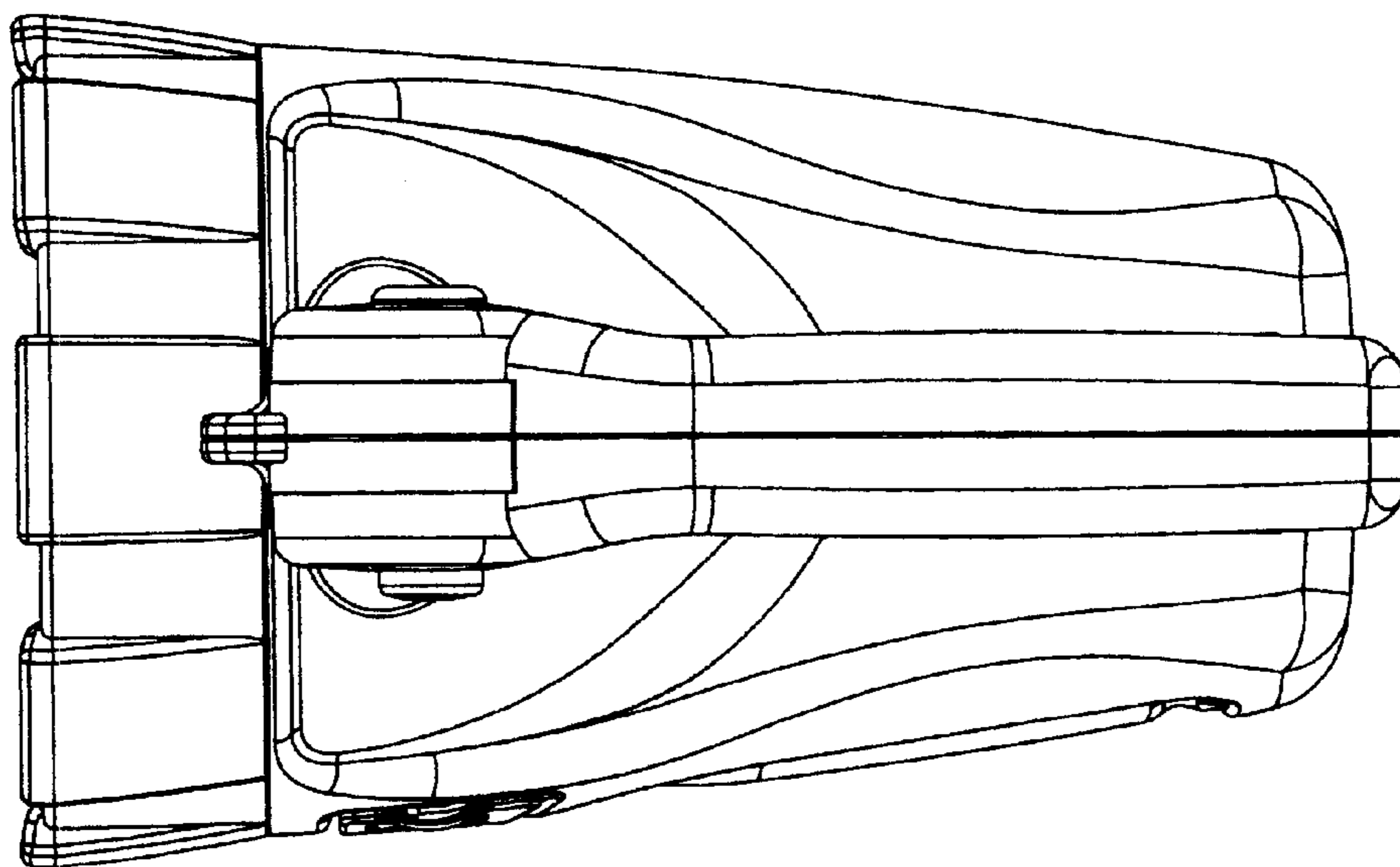


FIG. 6

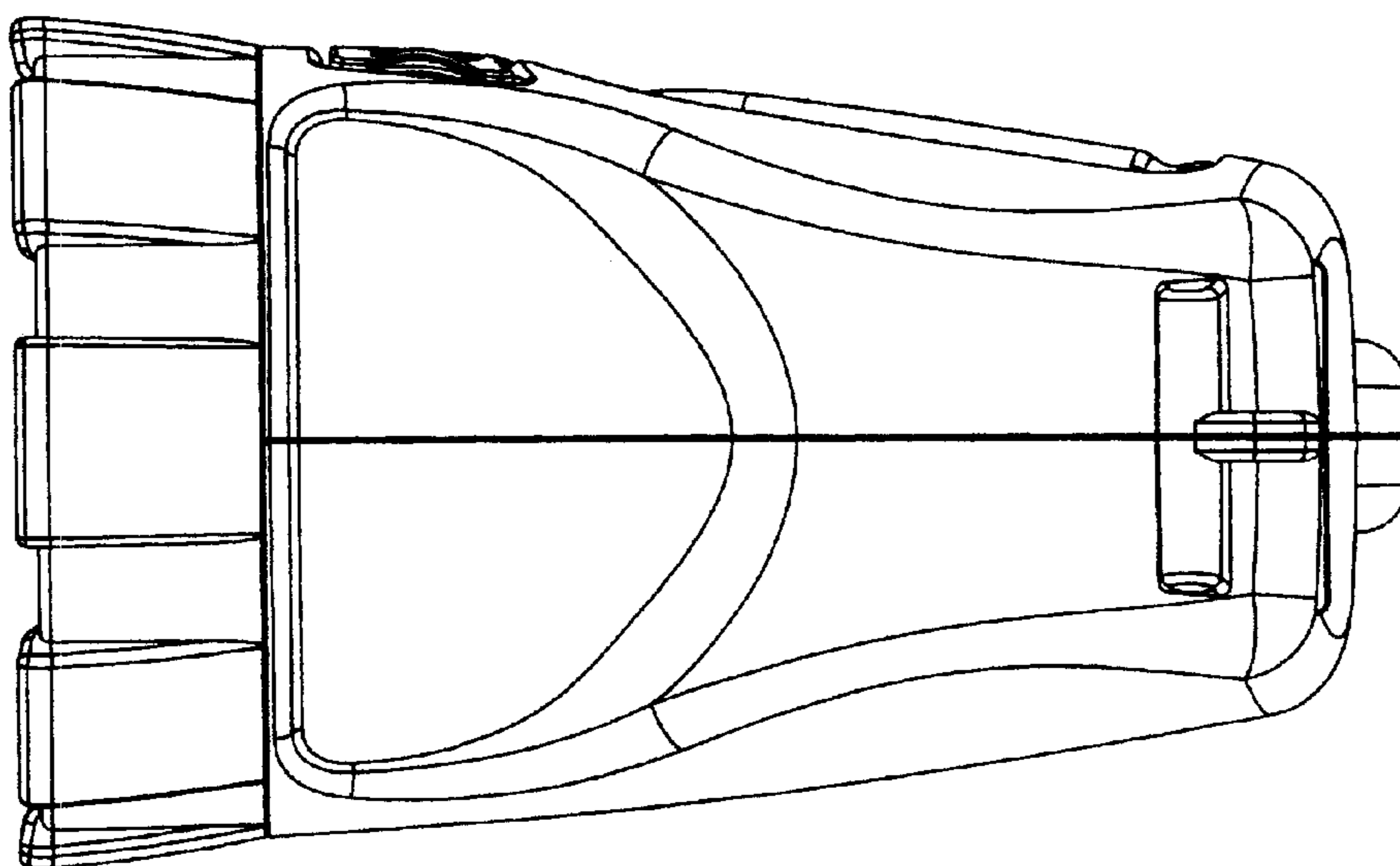


FIG. 7

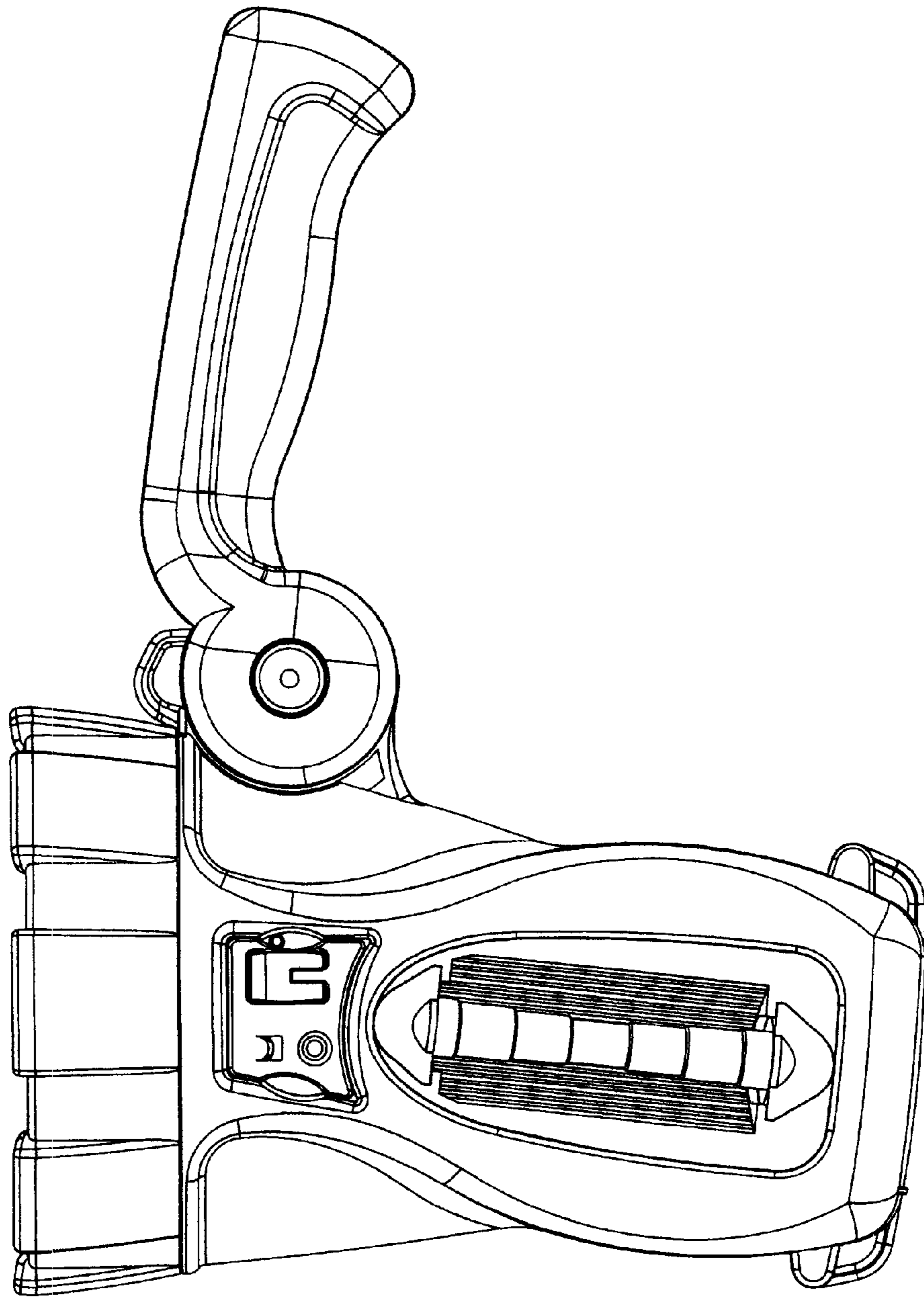


FIG. 8