



US00D544120S

(12) **United States Design Patent**
Matthews et al.

(10) **Patent No.:** **US D544,120 S**

(45) **Date of Patent:** **** Jun. 5, 2007**

(54) **FLASHLIGHT**

(75) Inventors: **John W. Matthews**, Newport Beach, CA (US); **Paul Y. Kim**, Santa Ana, CA (US)

(73) Assignee: **Surefire, LLC**, Fountain Valley, CA (US)

(**) Term: **14 Years**

(21) Appl. No.: **29/265,744**

(22) Filed: **Sep. 6, 2006**

(51) **LOC (8) Cl.** **26-02**

(52) **U.S. Cl.** **D26/37**

(58) **Field of Classification Search** D26/37,
D26/38, 46, 48, 49, 50, 51, 52; 362/157,
362/158, 171-174, 178, 183, 196, 199, 201,
362/202, 203, 204, 205, 208, 266, 116, 119
See application file for complete search history.

(56) **References Cited**

U.S. PATENT DOCUMENTS

D265,594 S *	7/1982	Mann	D26/37
D308,258 S	5/1990	Kung-kit et al.		
D414,887 S *	10/1999	McDonald et al.	D26/46
D417,022 S *	11/1999	Chiu	D26/49
D419,254 S *	1/2000	Chiu	D26/49
D445,926 S *	7/2001	Cheong	D26/37
D468,851 S	1/2003	Galli		
D479,013 S	8/2003	Galli		
D489,469 S *	5/2004	Liou	D26/37
6,840,653 B2	1/2005	Galli		

D504,529 S *	4/2005	Vickers et al.	D26/37
D517,230 S *	3/2006	Ho	D26/37
D521,667 S *	5/2006	Chean	D26/37
D526,730 S *	8/2006	Galli	D26/37
7,140,746 B2 *	11/2006	Chen	362/199

OTHER PUBLICATIONS

Laser Products, "The Model 3DL Infra-Red Flashlight", advertisement, prior to 2004.

* cited by examiner

Primary Examiner—Ian Simmons

Assistant Examiner—Carissa Fitts

(74) *Attorney, Agent, or Firm*—David Weiss

(57) **CLAIM**

The ornamental design for a flashlight, as shown and described.

DESCRIPTION

FIG. 1 is a left side perspective view of a flashlight showing my new design;

FIG. 2 is a left side elevation view thereof;

FIG. 3 is a top view thereof, the bottom view being a mirror image;

FIG. 4 is a right side elevation view thereof;

FIG. 5 is a front view thereof; and,

FIG. 6 is a rear view thereof.

The dashed lines in FIGS. 1-4 and 6 are shown for illustrative purposes and form no part of the claimed design.

1 Claim, 2 Drawing Sheets

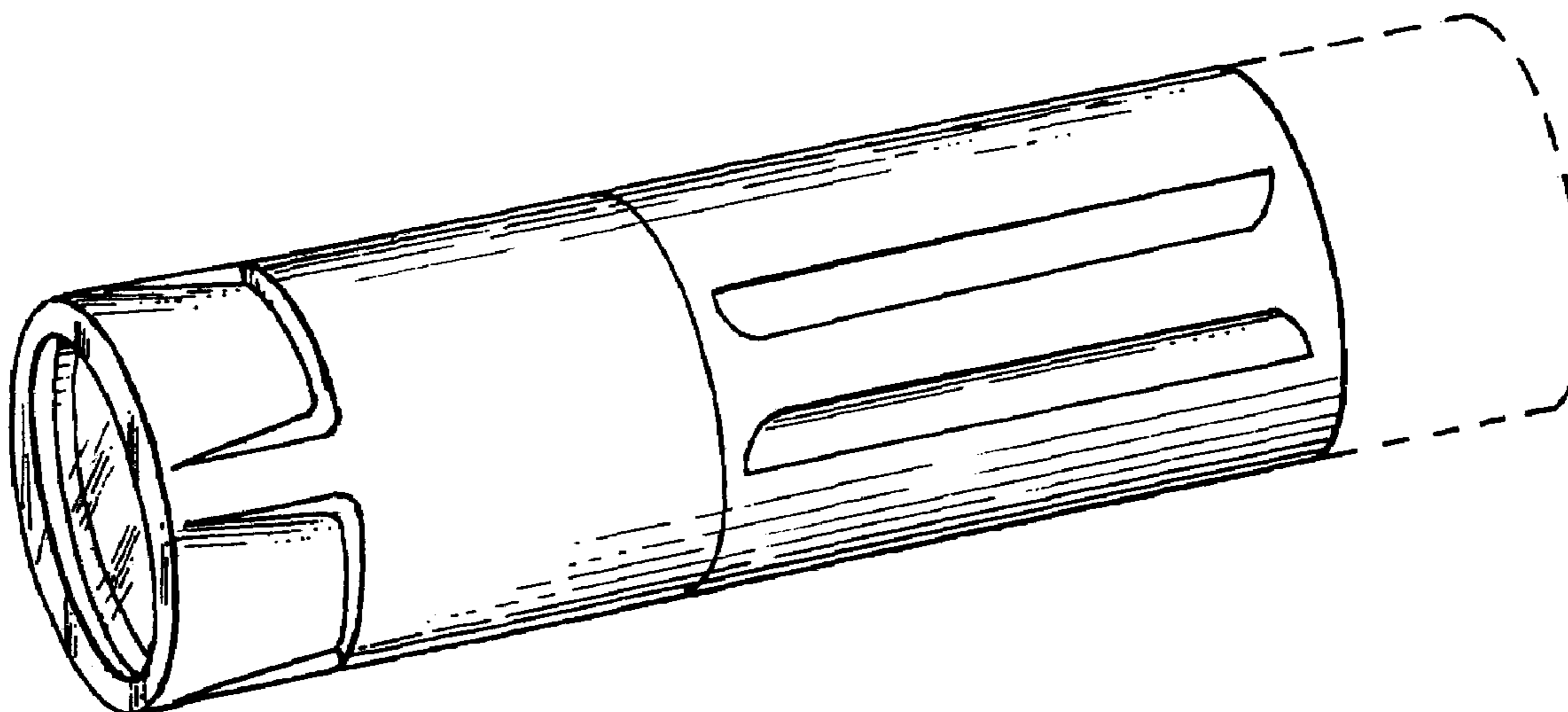


Fig. 1.

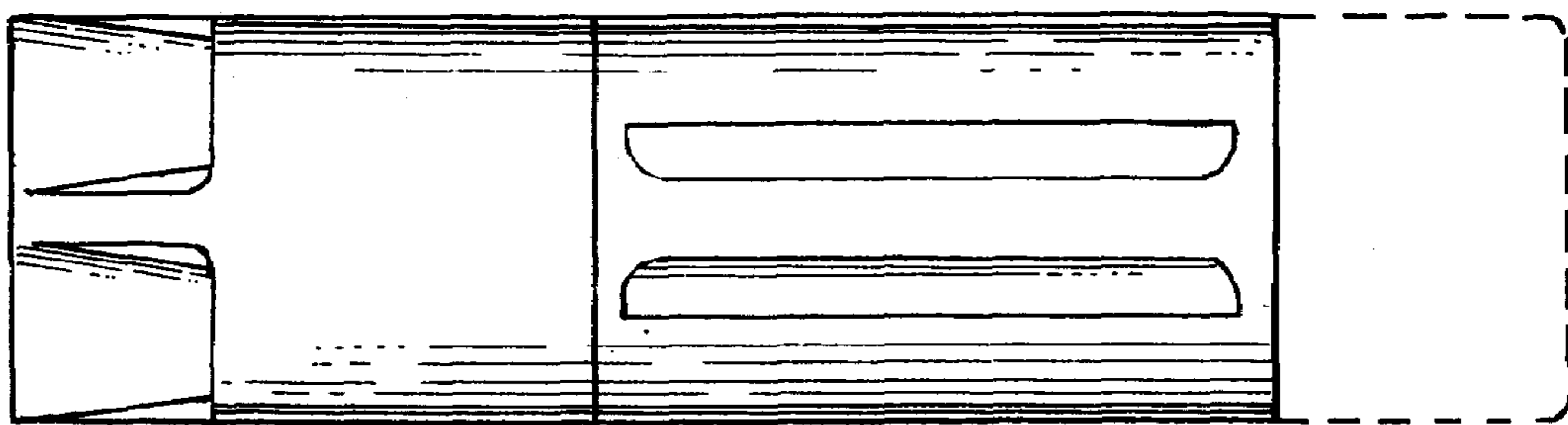
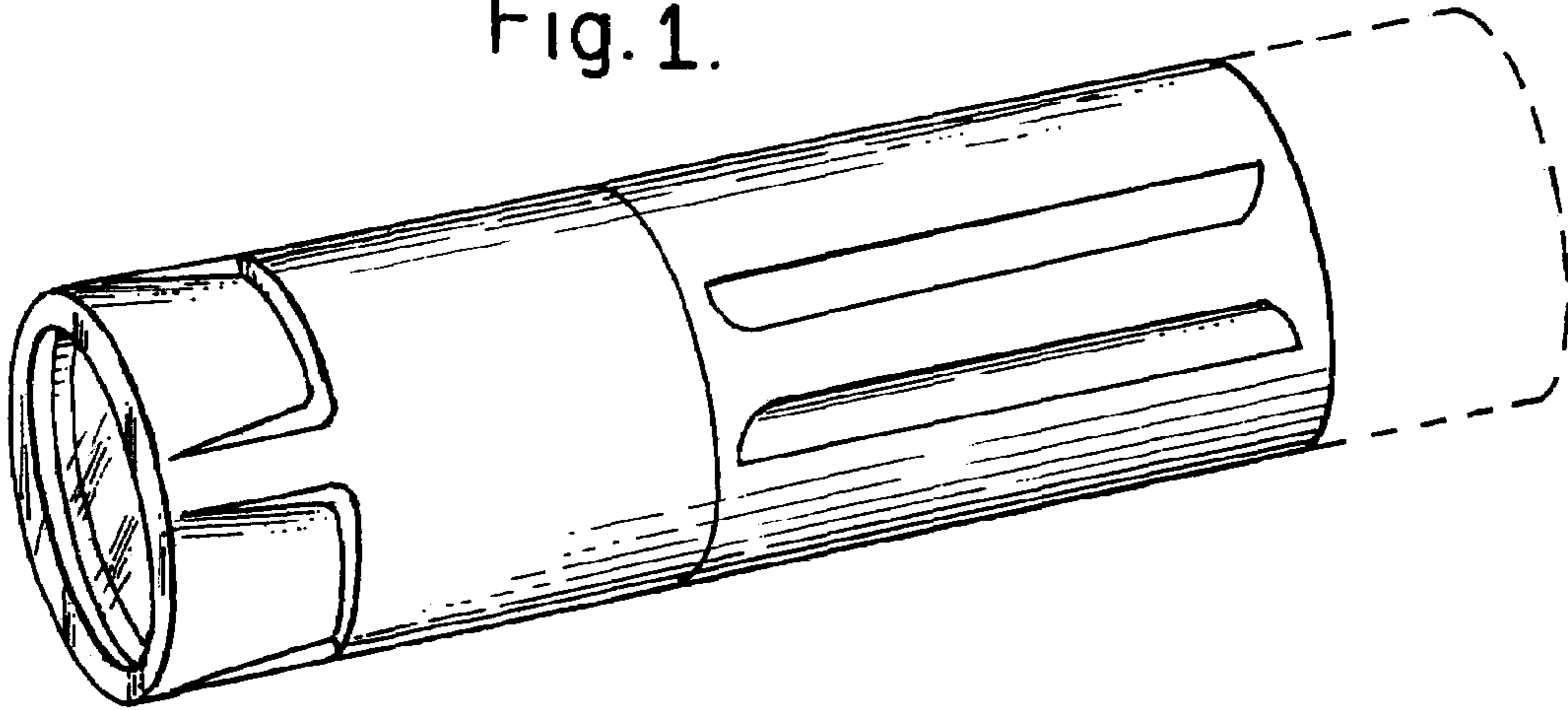


Fig. 2.

Fig. 3.

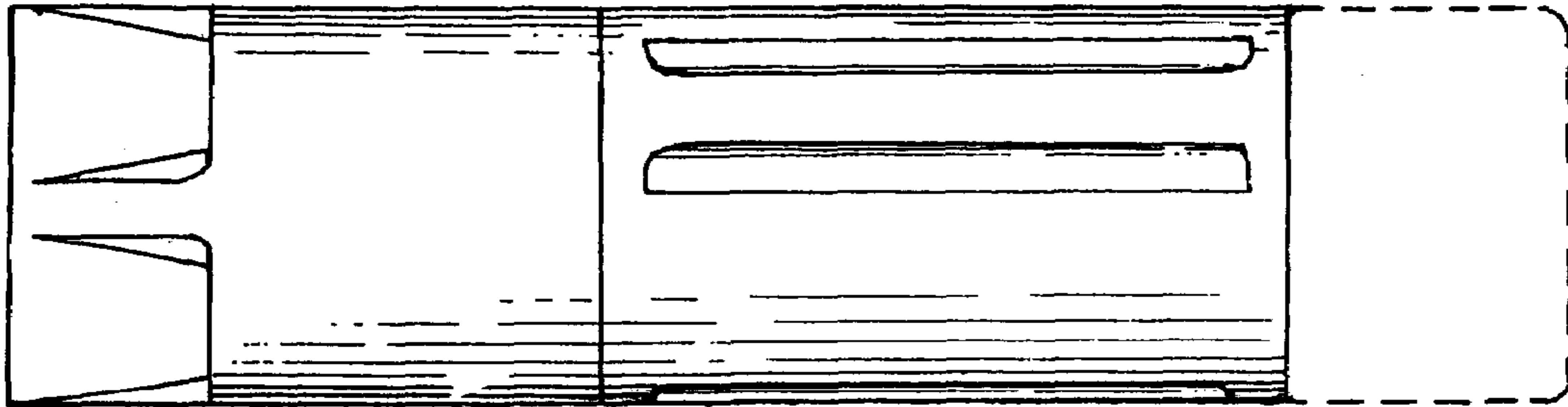


Fig. 4.

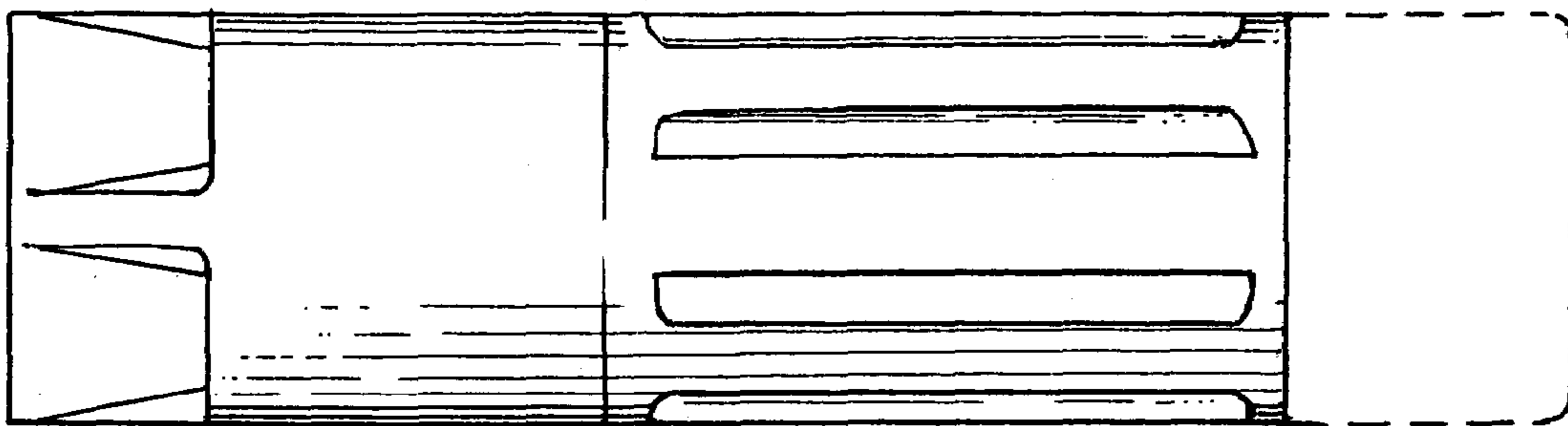


Fig. 5.

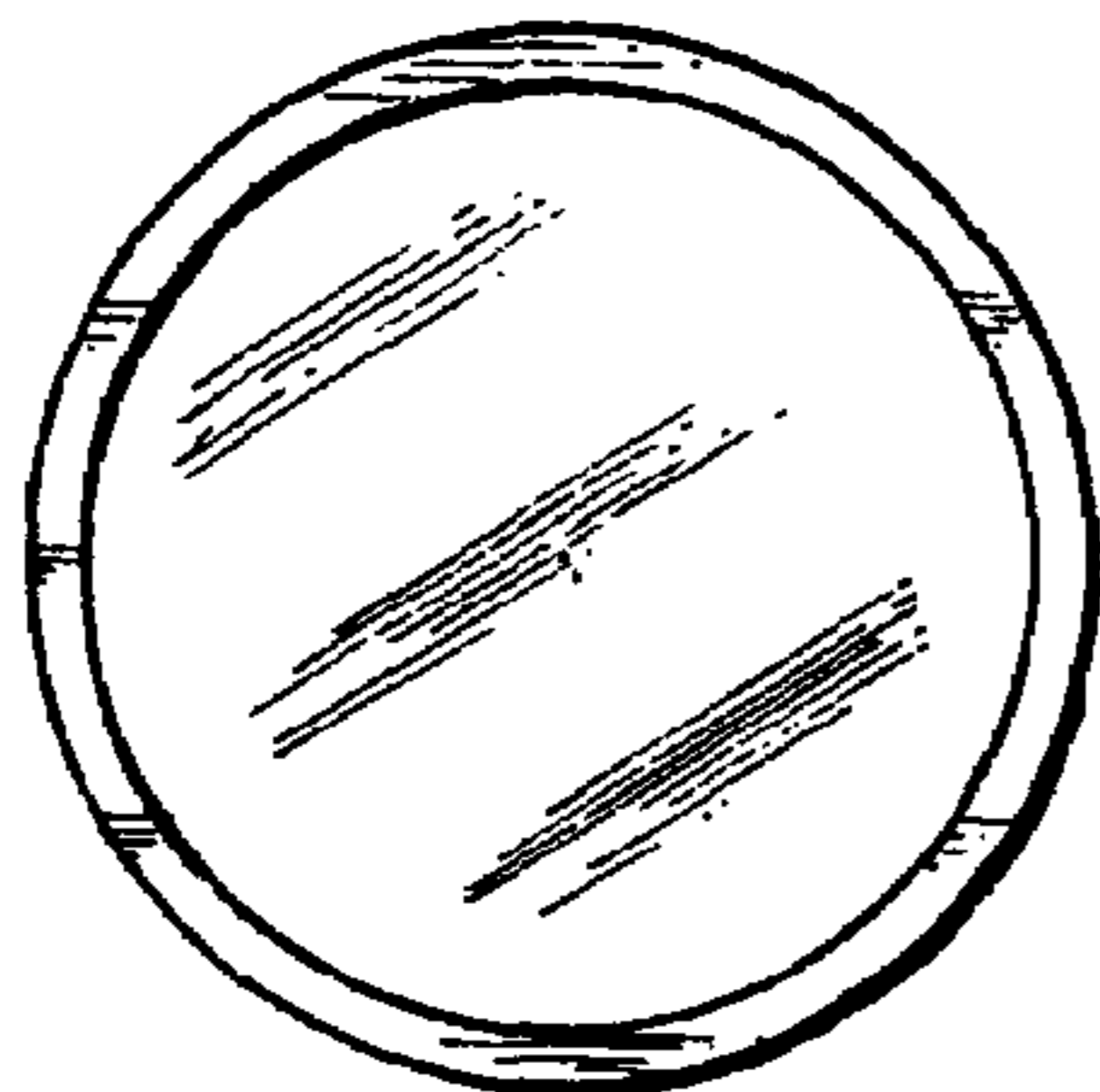


Fig. 6.

