

US00D544117S

(12) **United States Design Patent**
Coushaine

(10) **Patent No.:** **US D544,117 S**
(45) **Date of Patent:** **** Jun. 5, 2007**

(54) **PORTABLE LAMP**

(75) Inventor: **Charles M. Coushaine**, Rindge, NH
(US)

(73) Assignee: **Osram Sylvania, Inc.**, Danvers, MA
(US)

(**) Term: **14 Years**

(21) Appl. No.: **29/248,418**

(22) Filed: **Aug. 15, 2006**

Related U.S. Application Data

(63) Continuation of application No. 29/235,674, filed on
Aug. 4, 2005.

(51) **LOC (8) Cl.** **26-02**

(52) **U.S. Cl.** **D26/37**

(58) **Field of Classification Search** D26/80,
D26/93, 36, 40, 65, 74, 104, 128, 24, 51,
D26/72, 118, 120, 124, 35, 39, 37, 49, 85,
D26/86, 102, 108, 112, 152; D13/179, 180;
D10/114, 115, 116; 362/640, 352, 362, 331,
362/611, 612, 613, 11, 186, 641, 644, 267,
362/334, 335, 340, 350, 363, 517, 189, 173,
362/184, 200, 243, 800, 321, 545, 153.1,
362/105

See application file for complete search history.

(56) **References Cited**

U.S. PATENT DOCUMENTS

| | | | |
|--------------|---------|----------|---------------|
| D99,105 S | 3/1936 | Arenberg | |
| D104,233 S | 4/1937 | Arenberg | |
| D128,125 S | 5/1941 | Rutledge | |
| D207,930 S * | 6/1967 | Kotler | D10/111 |
| D215,481 S | 10/1969 | Dawson | |
| D341,441 S | 11/1993 | Shapiro | |
| D341,442 S | 11/1993 | Shapiro | |

| | | | |
|-------------------|---------|--------------------|-----------------|
| D431,307 S | 9/2000 | Zelina, Jr. et al. | |
| D443,713 S * | 6/2001 | Benensohn | D26/72 |
| 6,288,498 B1 | 9/2001 | Cheng | |
| 6,367,949 B1 * | 4/2002 | Pederson | 362/240 |
| D475,802 S | 6/2003 | Homann | |
| D476,105 S | 6/2003 | Alsobrook | |
| D482,486 S | 11/2003 | Demers | |
| 6,641,283 B1 | 11/2003 | Bohler | |
| D484,270 S | 12/2003 | Yiu | |
| 6,659,632 B2 * | 12/2003 | Chen | 362/545 |
| 6,877,875 B2 * | 4/2005 | Yu et al. | 362/105 |
| D519,233 S * | 4/2006 | Yuen | D26/37 |
| D523,982 S * | 6/2006 | Doong | D26/49 |
| 2003/0137838 A1 * | 7/2003 | Rizkin et al. | 362/240 |
| 2006/0104054 A1 * | 5/2006 | Coman | 362/153.1 |
| 2006/0176703 A1 | 8/2006 | Cayton et al. | |
| 2006/0250789 A1 * | 11/2006 | Coushaine | 362/157 |

* cited by examiner

Primary Examiner—Ian Simmons

Assistant Examiner—Carissa Fitts

(74) *Attorney, Agent, or Firm*—Sterne, Kessler, Goldstein &
Fox P.L.L.C.

(57) **CLAIM**

The ornamental design for a portable lamp, as shown and
described.

DESCRIPTION

FIG. 1 is a perspective view of a portable lamp showing a
new design;

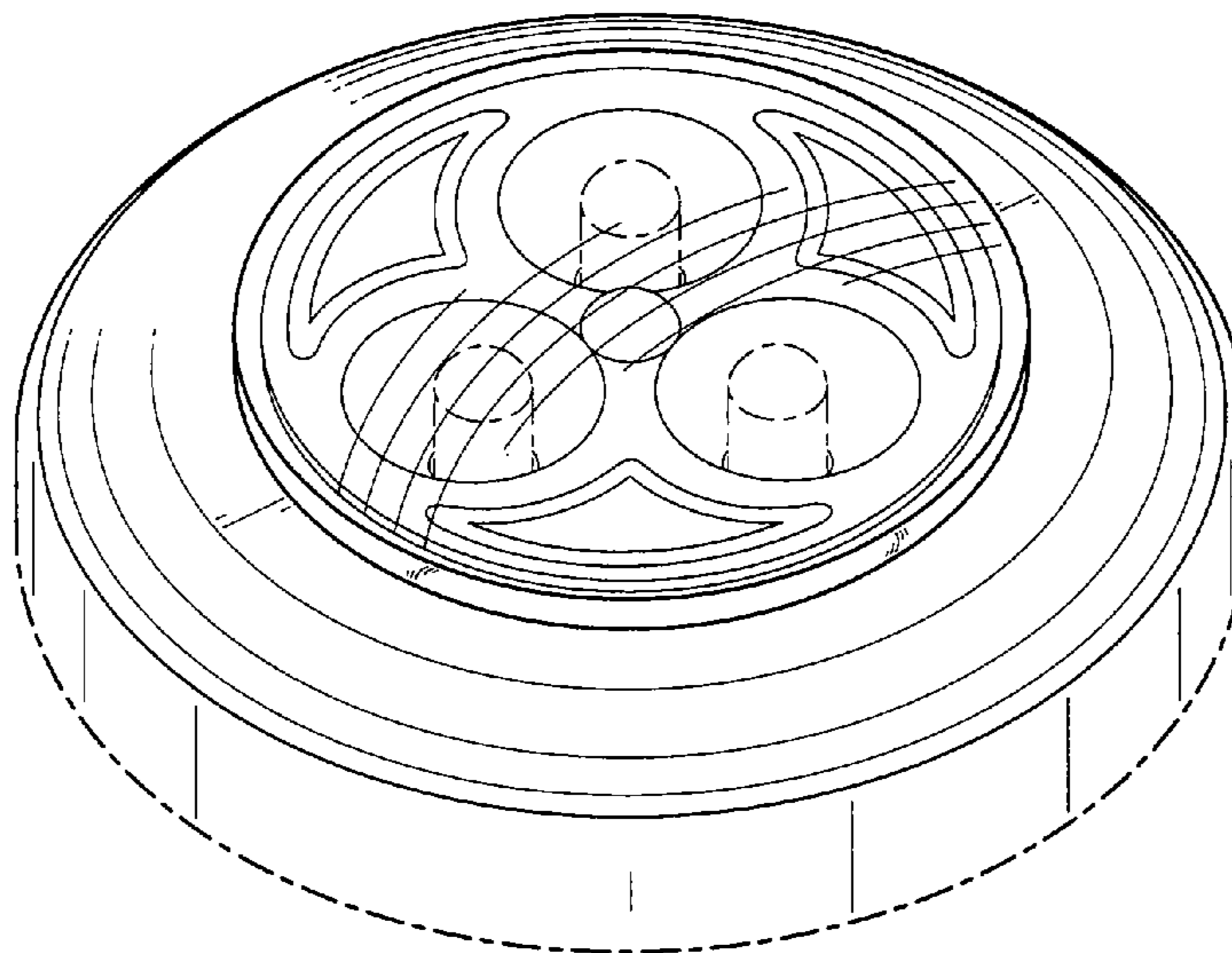
FIG. 2 is a top view thereof;

FIG. 3 is a side view thereof, the opposite view being a
mirror image thereof; and,

FIG. 4 is an exploded perspective view thereof.

The broken line showing is included for the purpose of
illustrating only and forms no part of the claimed design.

1 Claim, 4 Drawing Sheets



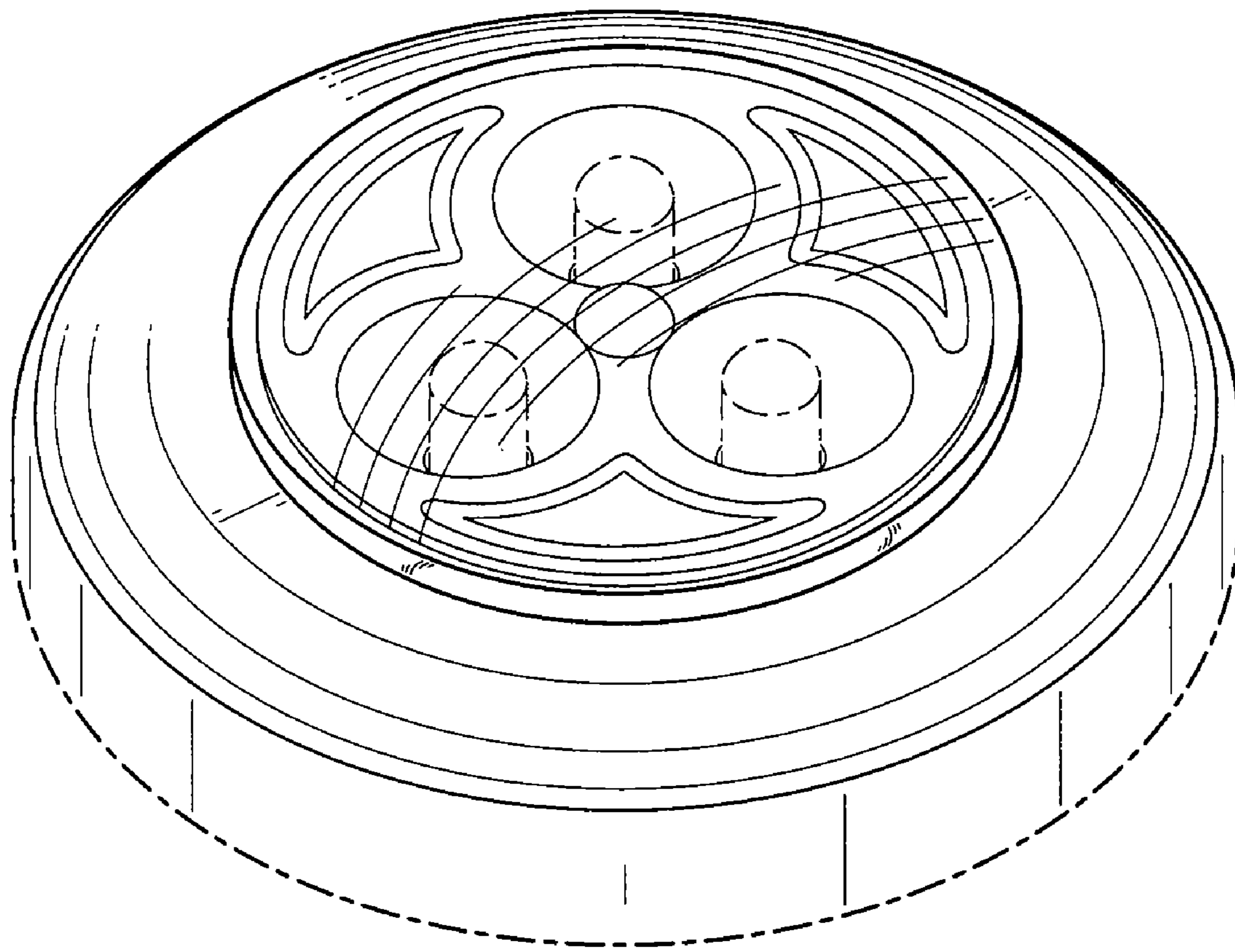


FIG. 1

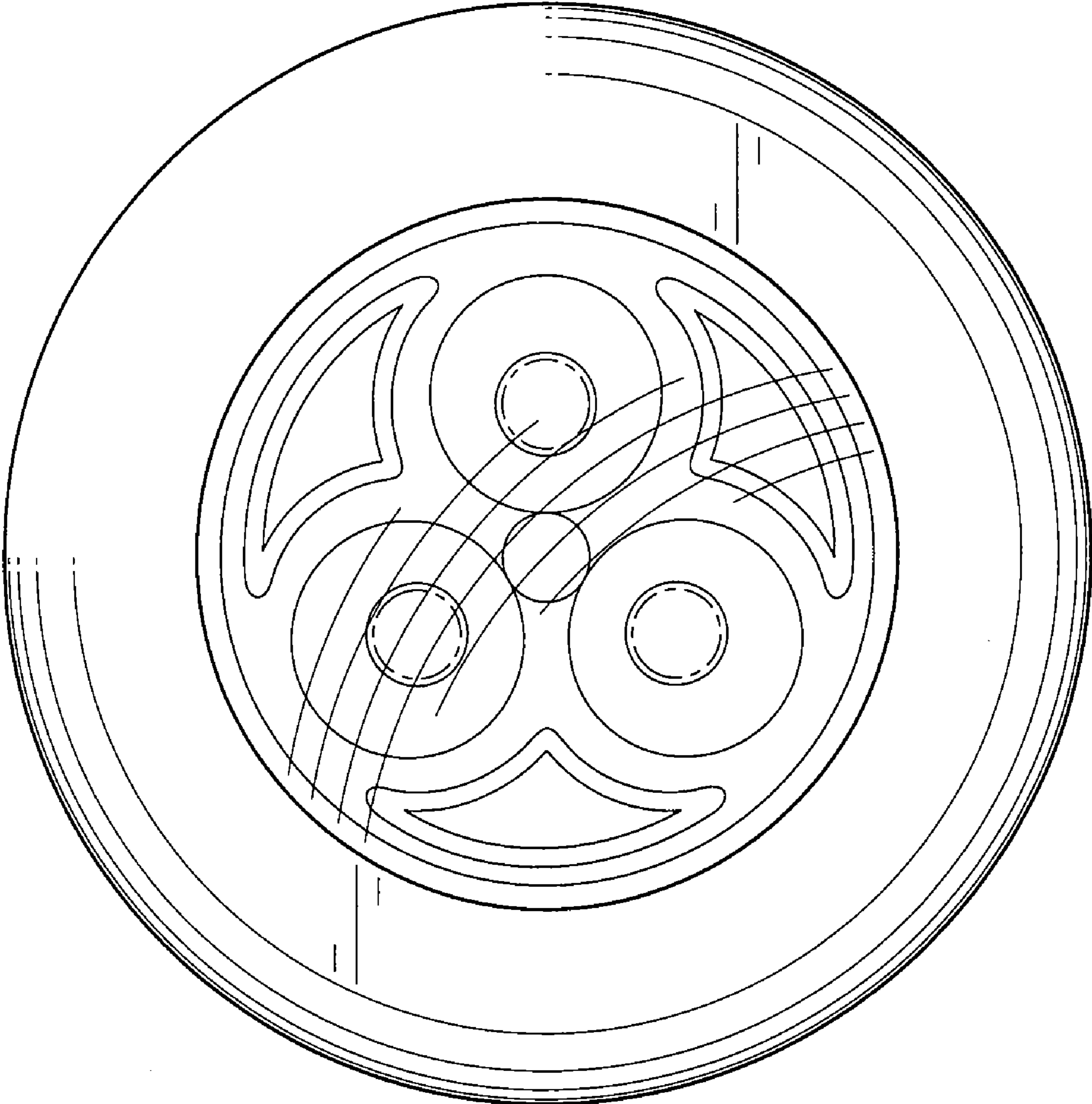


FIG. 2

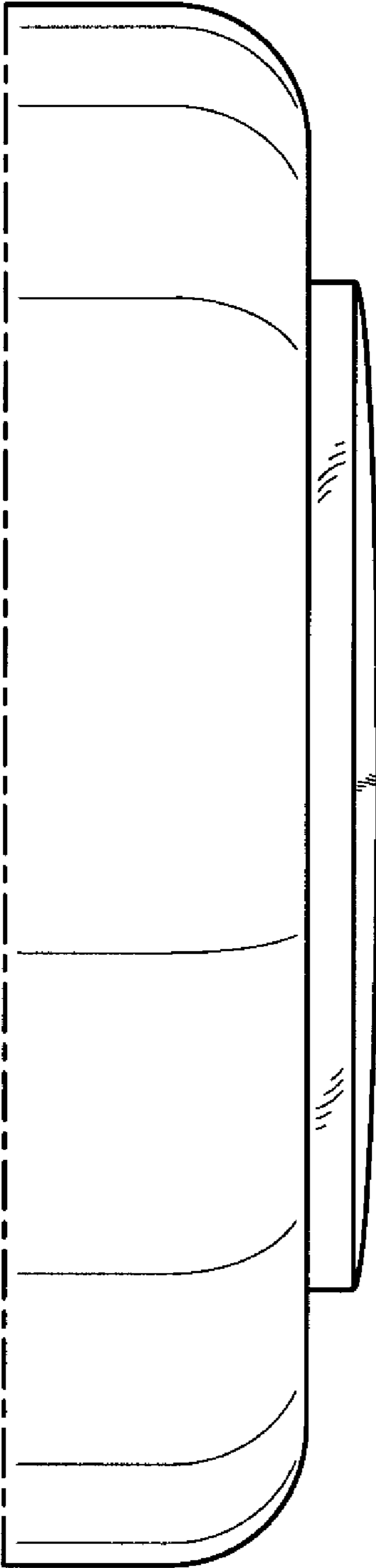


FIG. 3

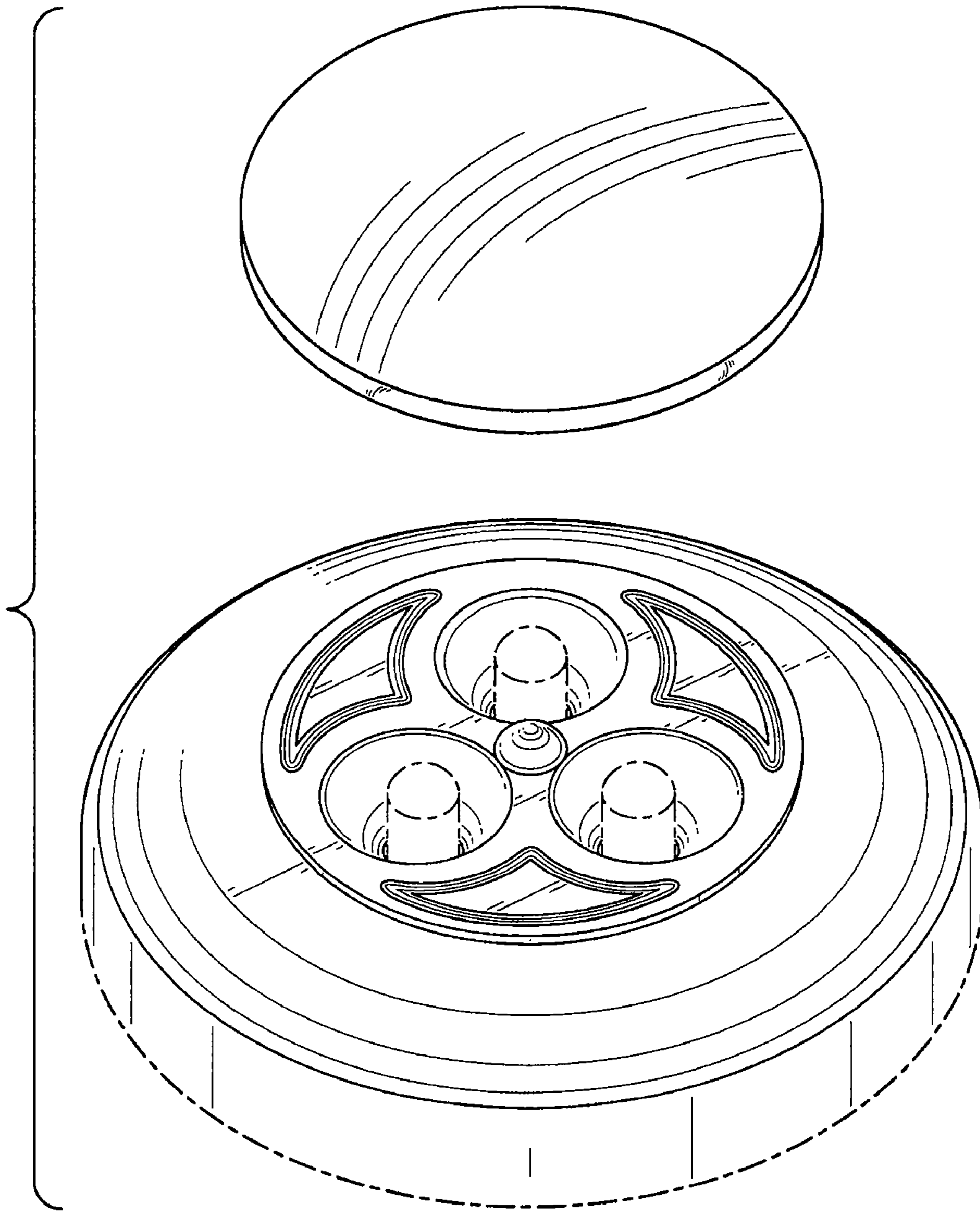


FIG. 4