



US00D544115S

(12) **United States Design Patent**  
**Petzl**

(10) **Patent No.:** **US D544,115 S**

(45) **Date of Patent:** **\*\* Jun. 5, 2007**

(54) **HEADLAMP**

(75) Inventor: **Paul Petzl**, Barraux (FR)

(73) Assignee: **Zedel**, Crolles (FR)

(\*\*) Term: **14 Years**

(21) Appl. No.: **29/269,641**

(22) Filed: **Dec. 6, 2006**

(30) **Foreign Application Priority Data**

Jun. 6, 2006 (EM) ..... 000543228-0001

(51) **LOC (8) Cl.** ..... **26-06**

(52) **U.S. Cl.** ..... **D26/28**

(58) **Field of Classification Search** ..... D26/28-36;  
362/459-468, 475-478, 485-487

See application file for complete search history.

(56) **References Cited**

**U.S. PATENT DOCUMENTS**

D470,257 S *	2/2003	Byggmatar	.....	D26/28
D471,658 S *	3/2003	Byggmatar	.....	D26/28
D492,804 S *	7/2004	Horowitz	.....	D26/28
D508,138 S *	8/2005	Yamaguchi et al.	.....	D26/28
D520,656 S *	5/2006	Shiu	.....	D26/28

\* cited by examiner

*Primary Examiner*—Marcus A. Jackson

(74) *Attorney, Agent, or Firm*—Oliff & Berridge, PLC

(57) **CLAIM**

The ornamental design for a headlamp, as shown and described.

**DESCRIPTION**

FIG. 1 is a perspective view of a headlamp;

FIG. 2 is a top view thereof;

FIG. 3 is a front view thereof;

FIG. 4 is a right-side view thereof;

FIG. 5 is a left-side view thereof;

FIG. 6 is a rear view thereof;

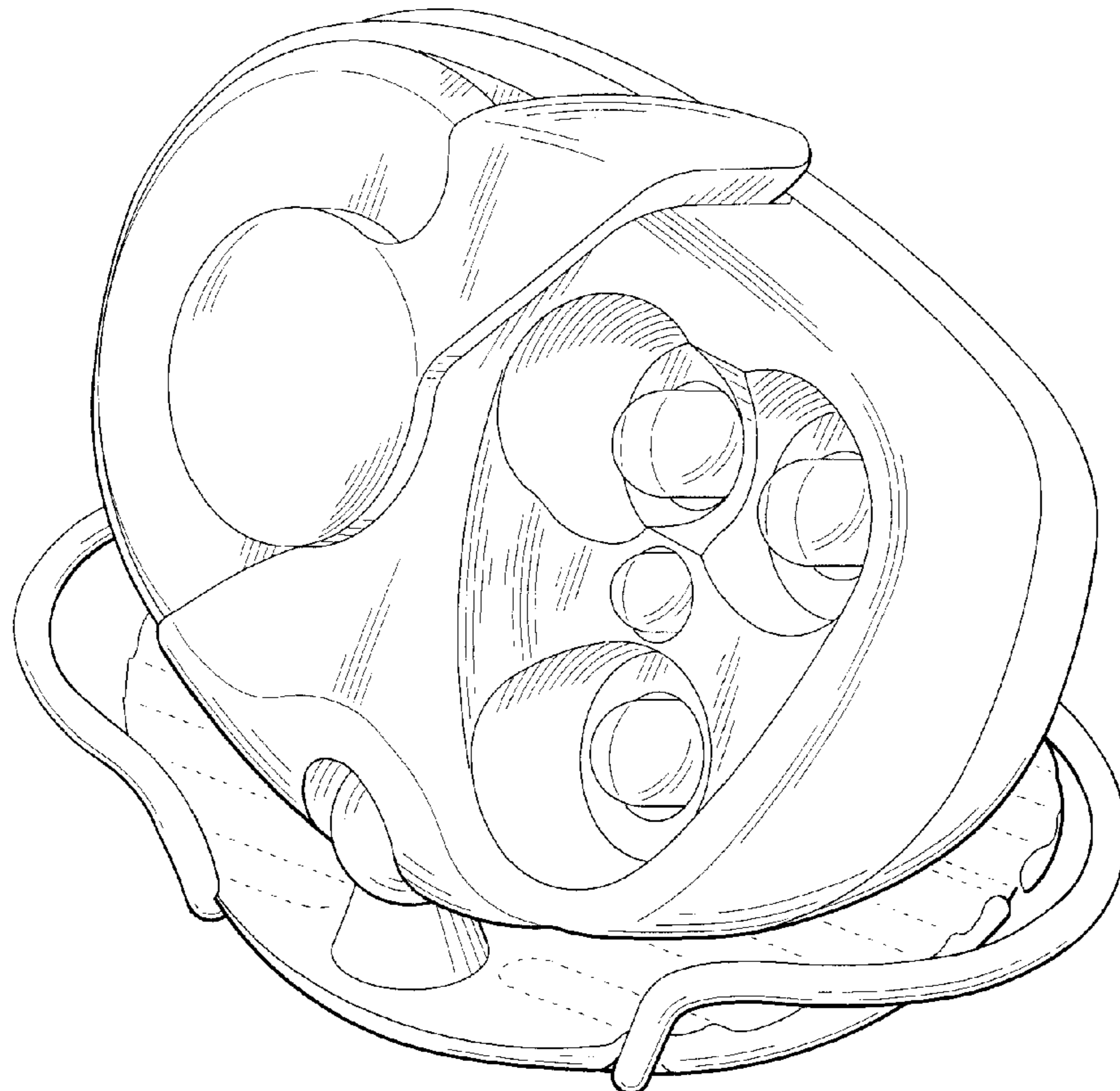
FIG. 7 is a bottom view thereof;

FIG. 8 is a front perspective view with the headlamp extended; and,

FIG. 9 is a rear perspective view with the headlamp extended.

The broken lines are for illustrative purposes only and form no part of the claimed design.

**1 Claim, 6 Drawing Sheets**



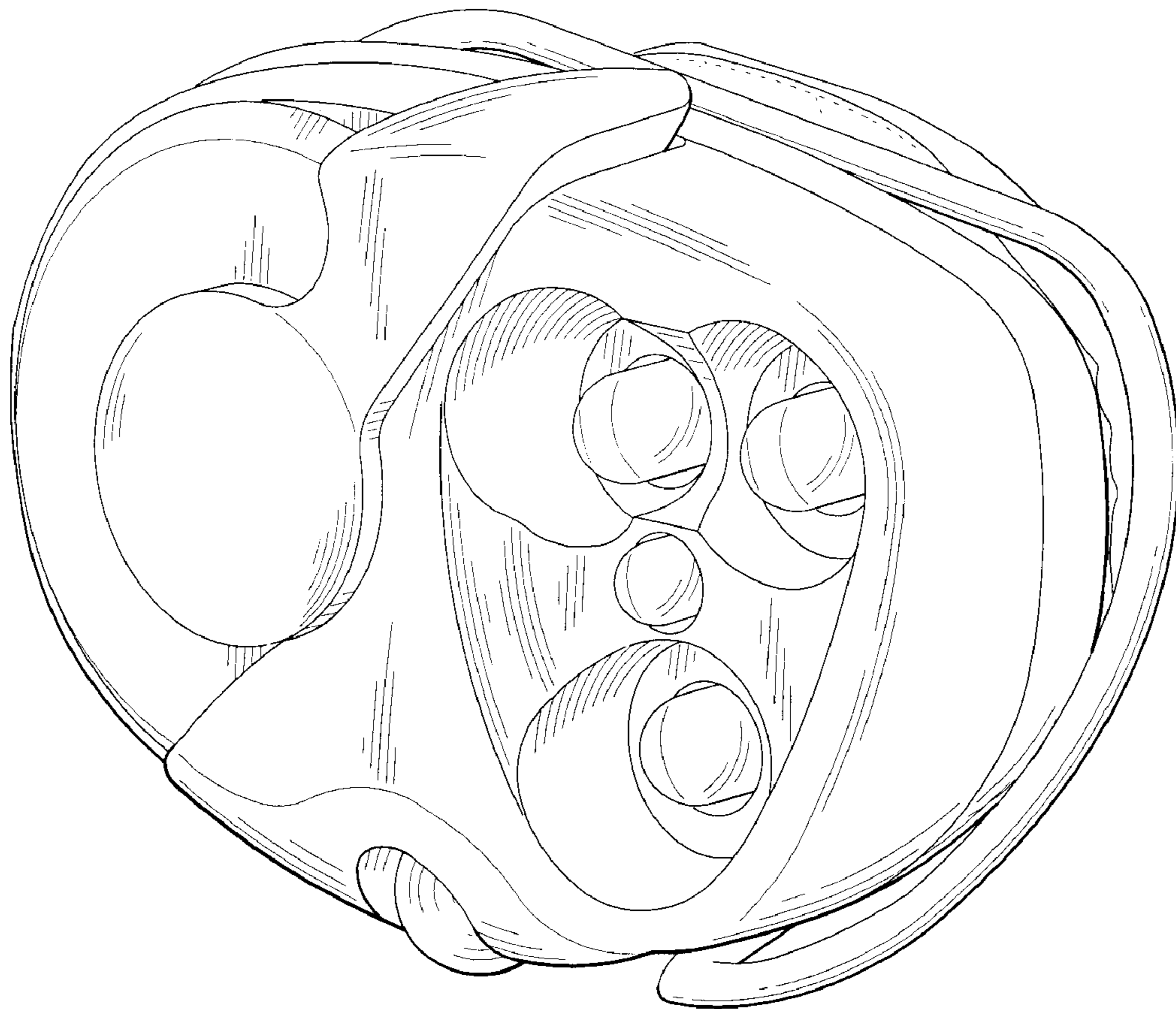


FIG. 1

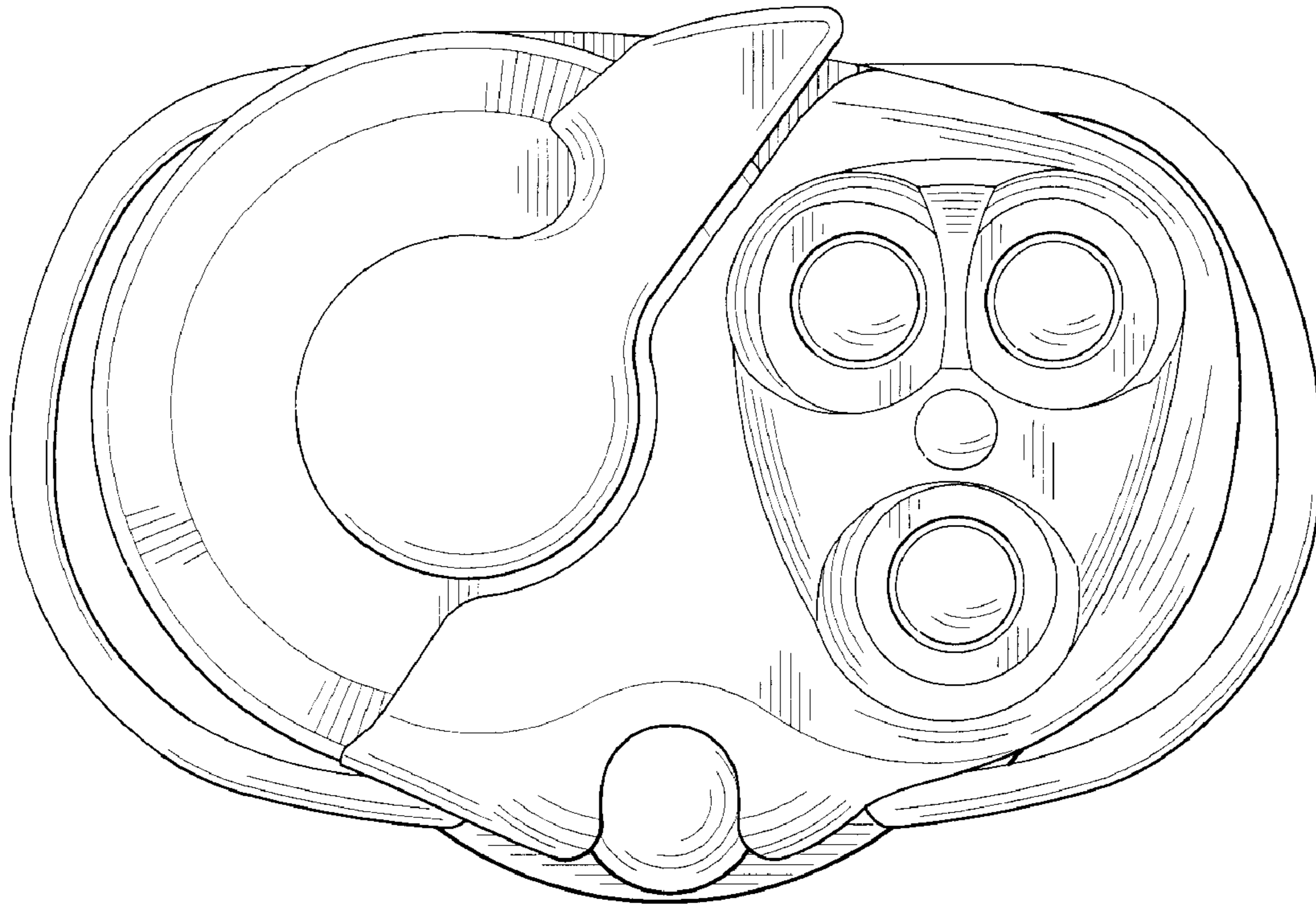


FIG. 2

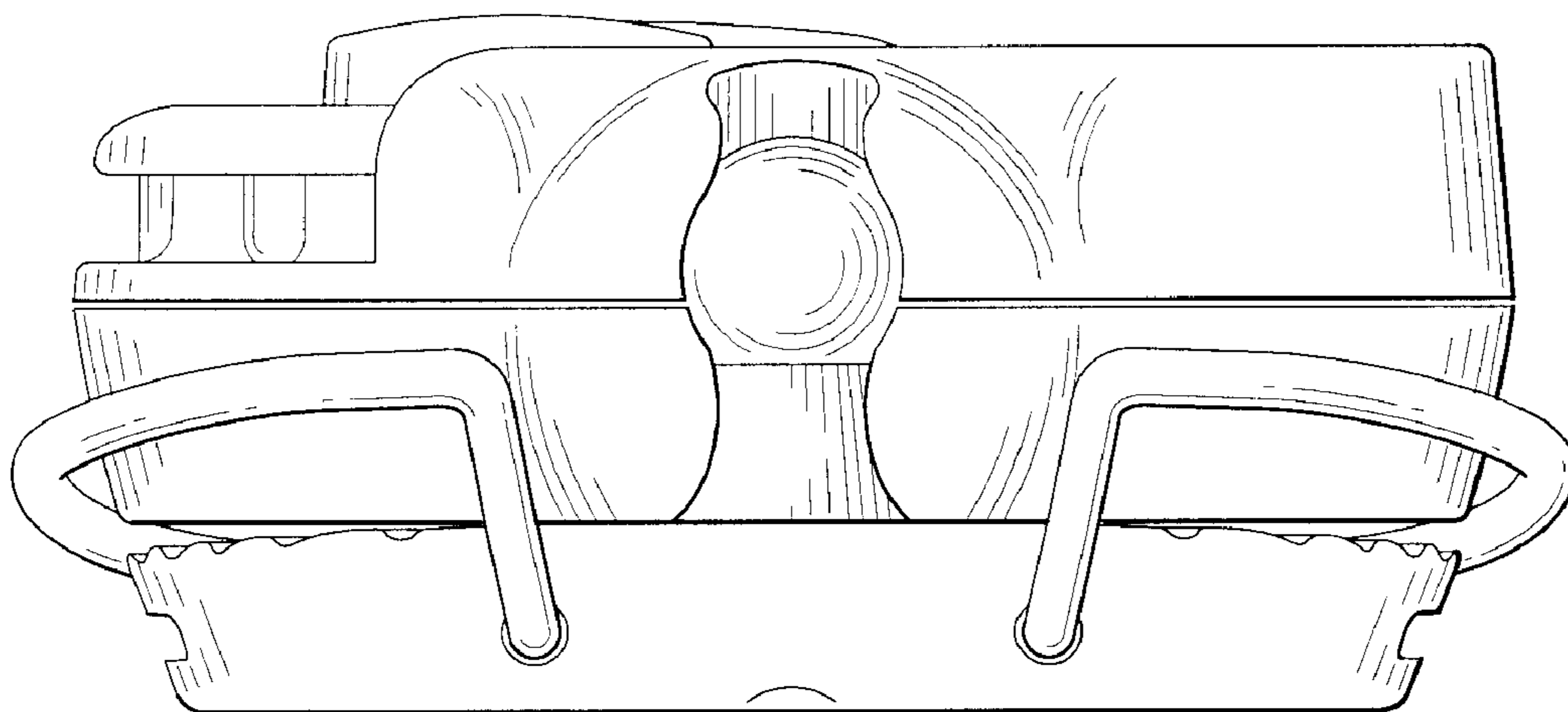


FIG. 3

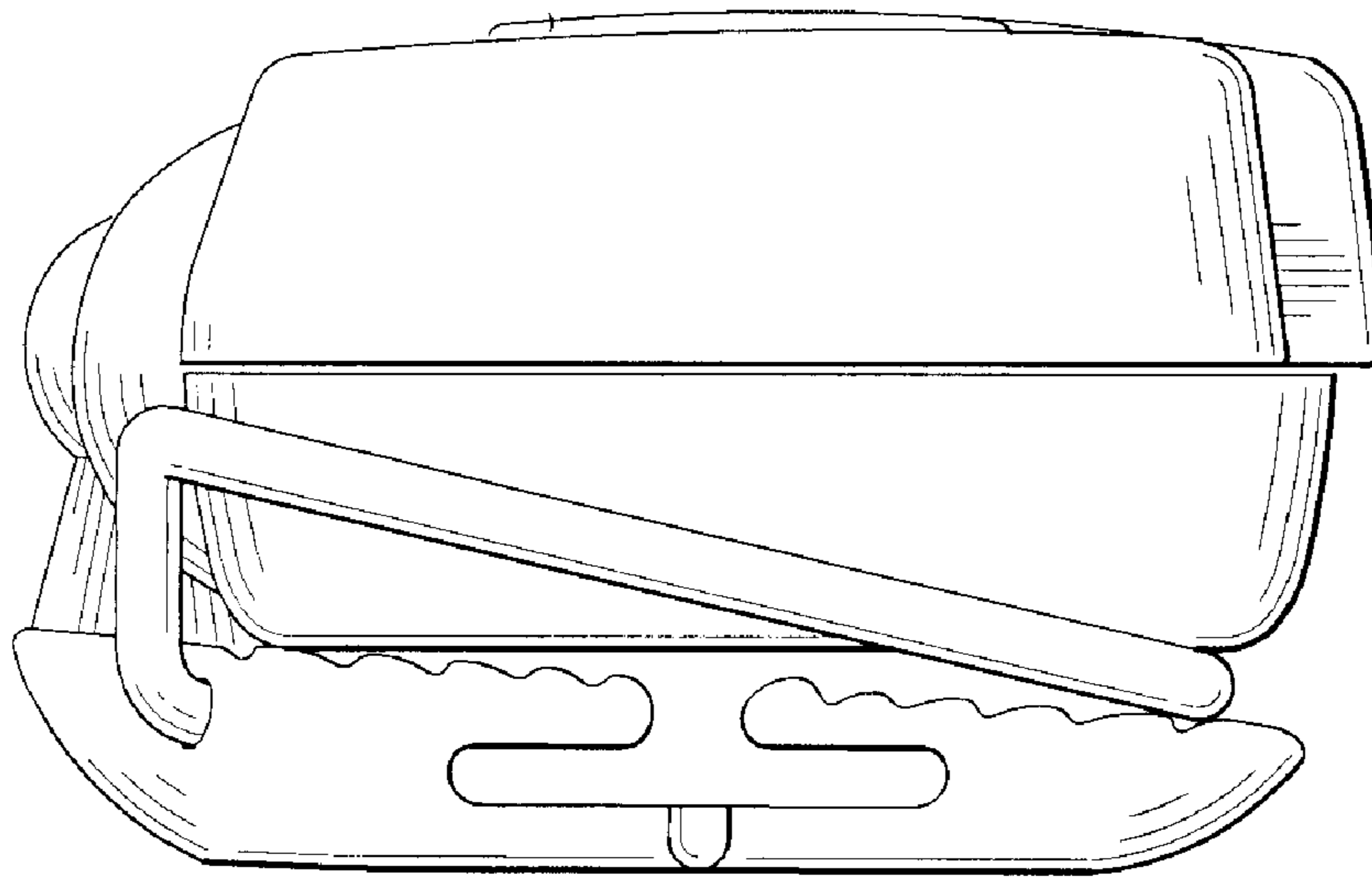


FIG. 4

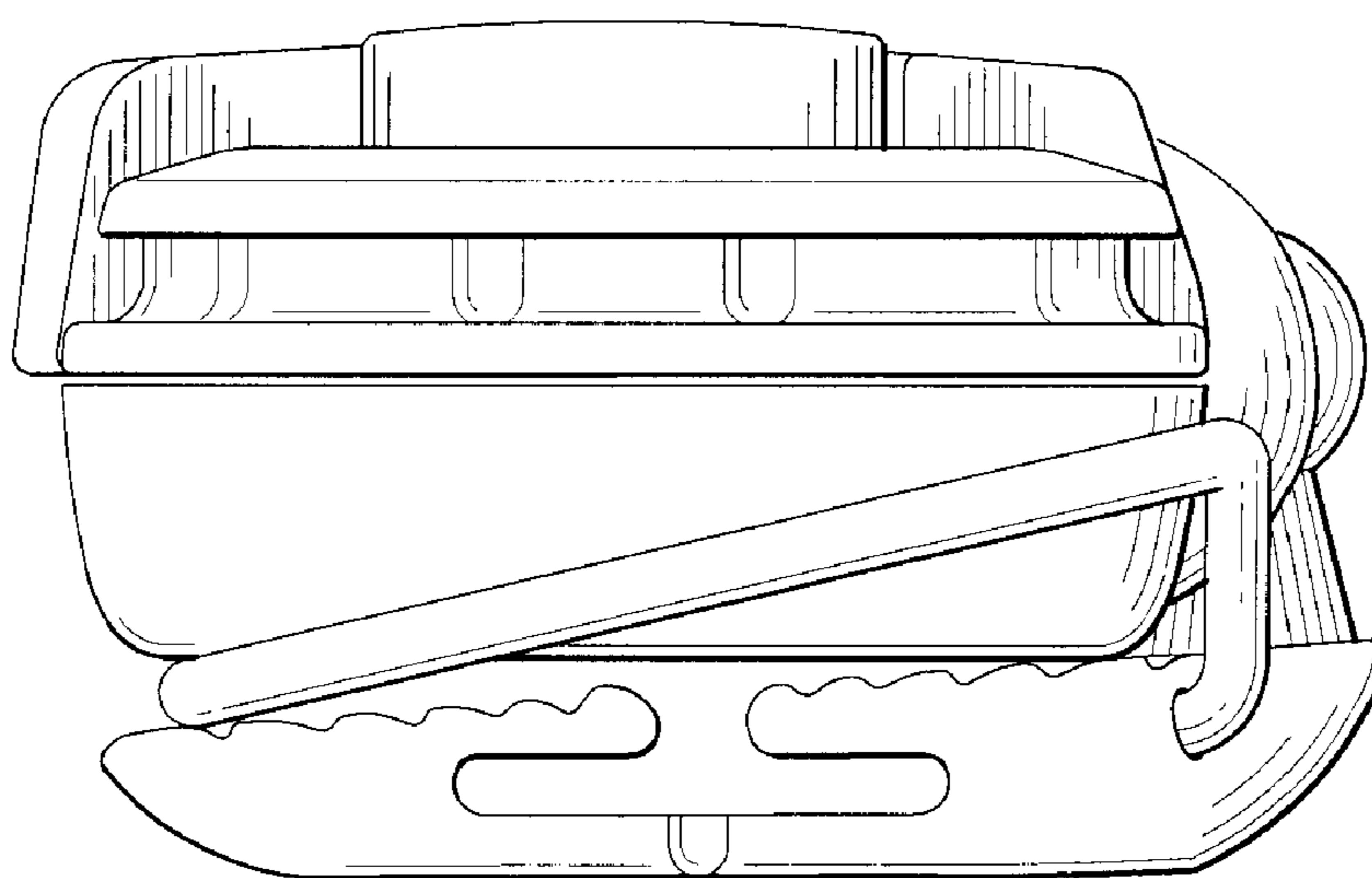


FIG. 5

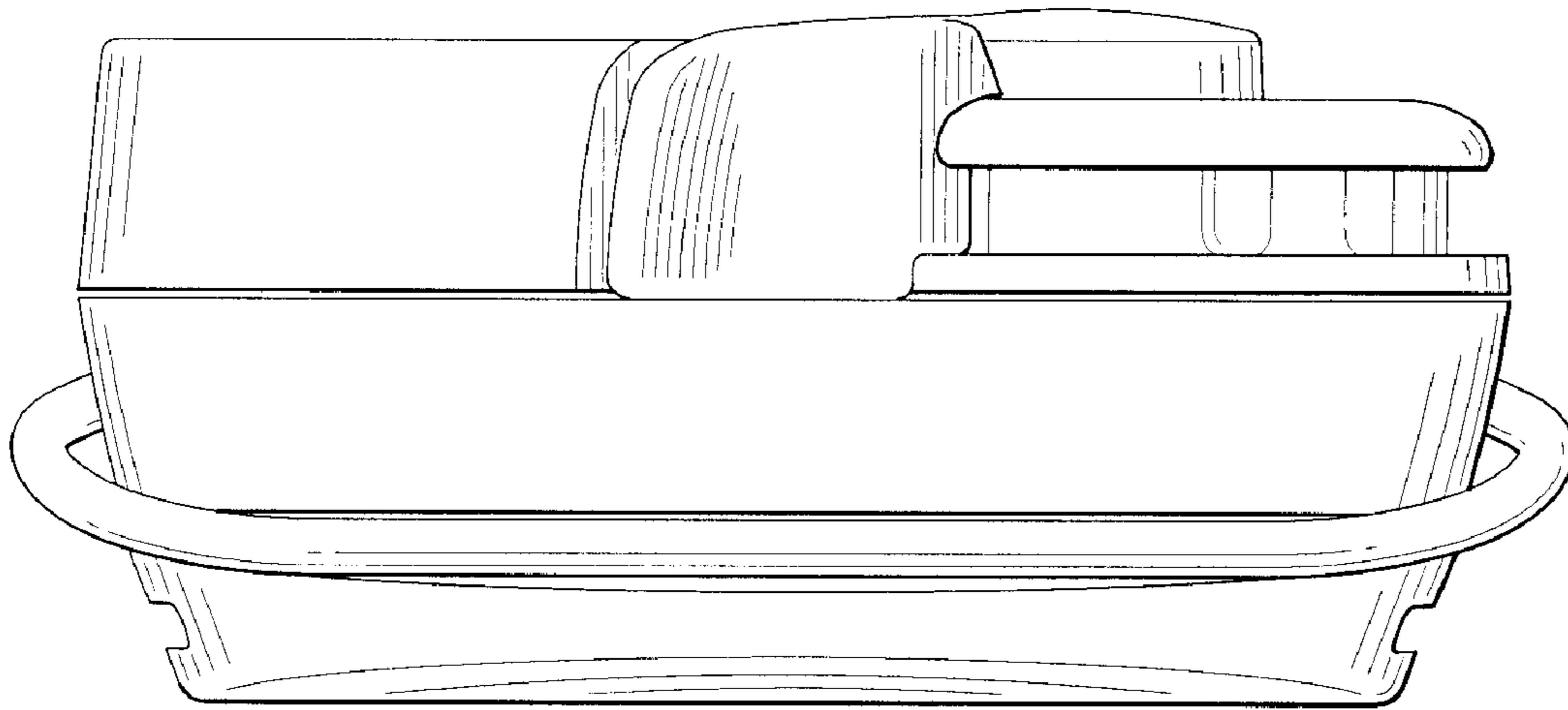


FIG. 6

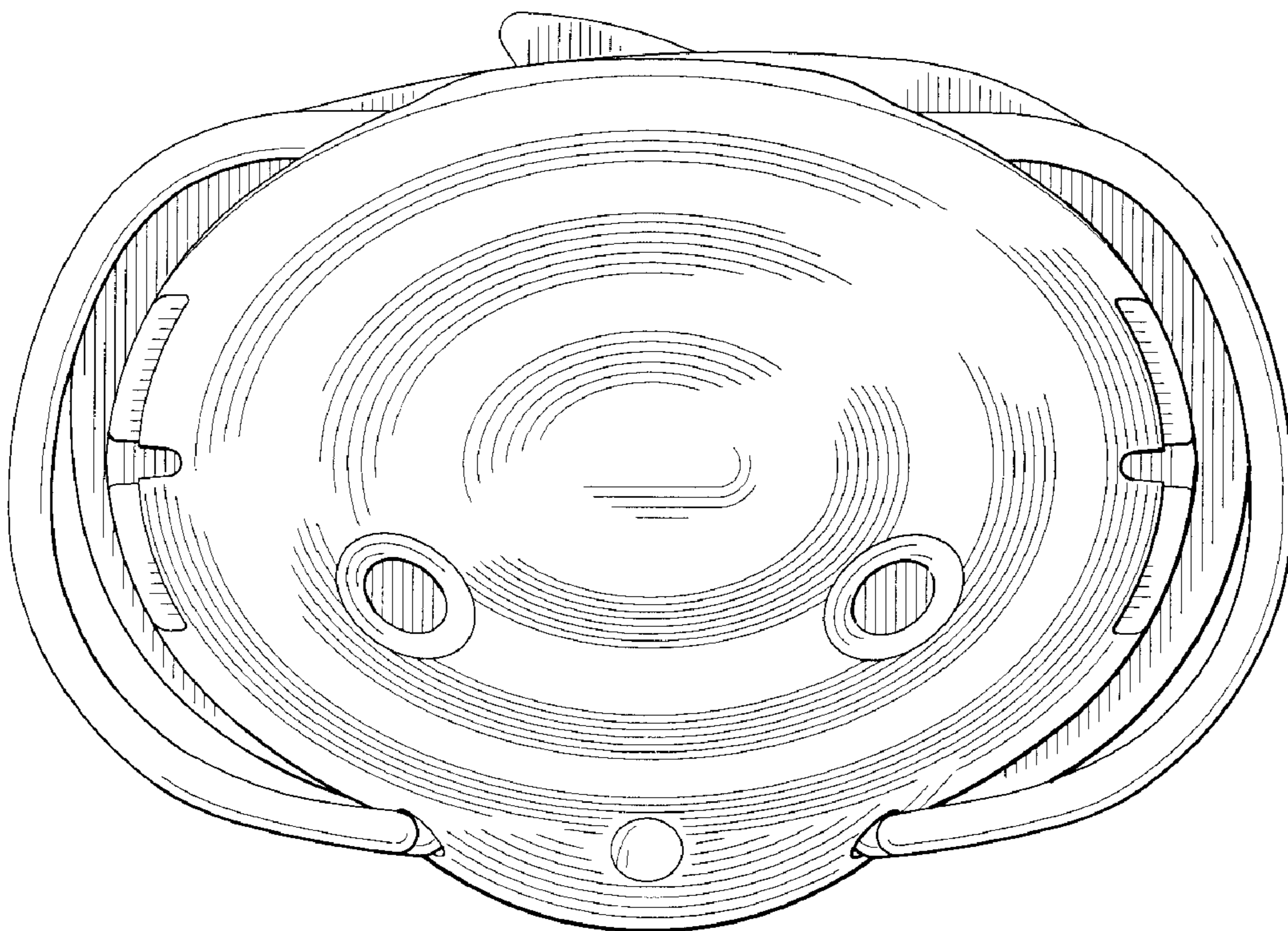


FIG. 7

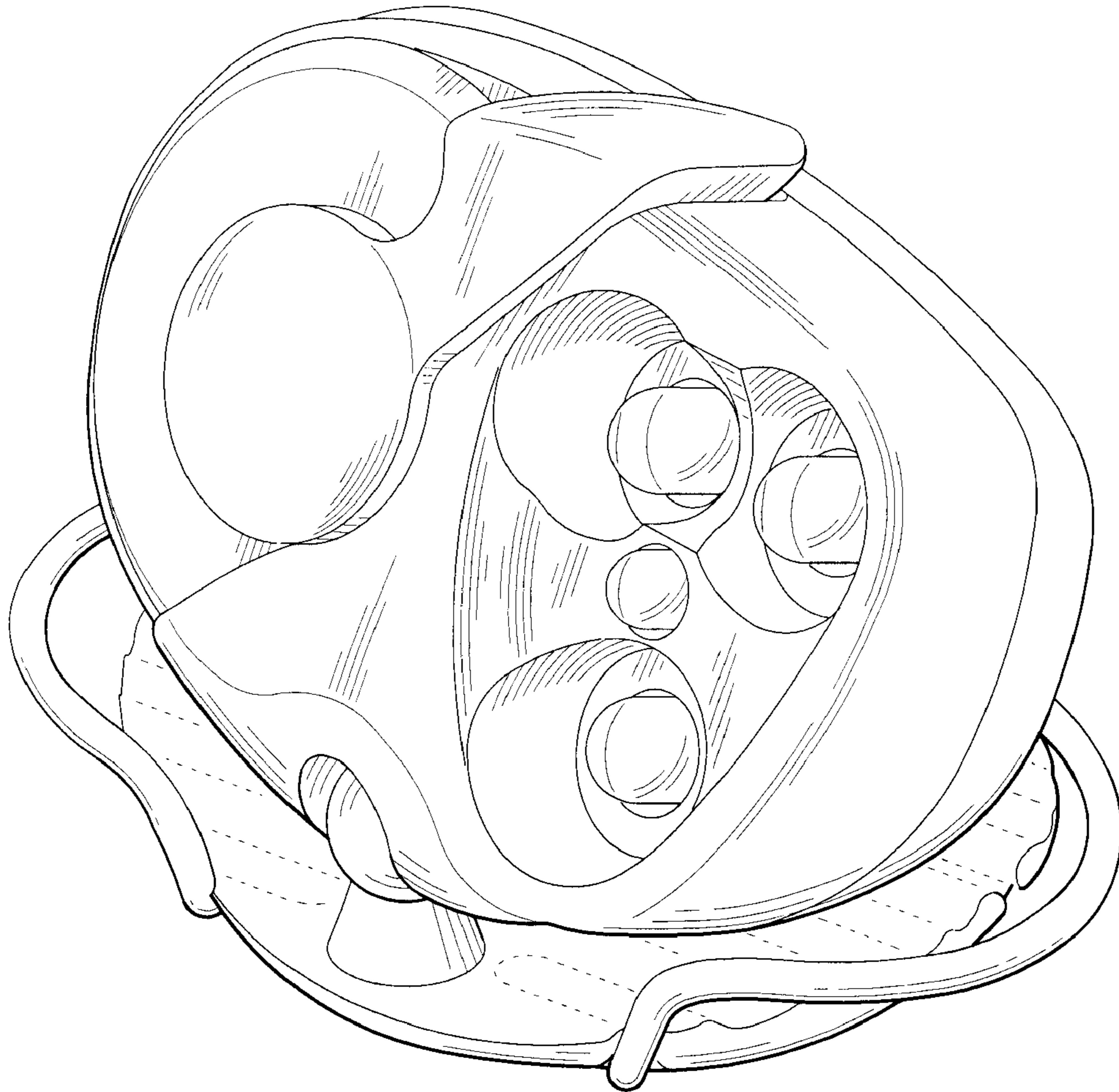


FIG. 8

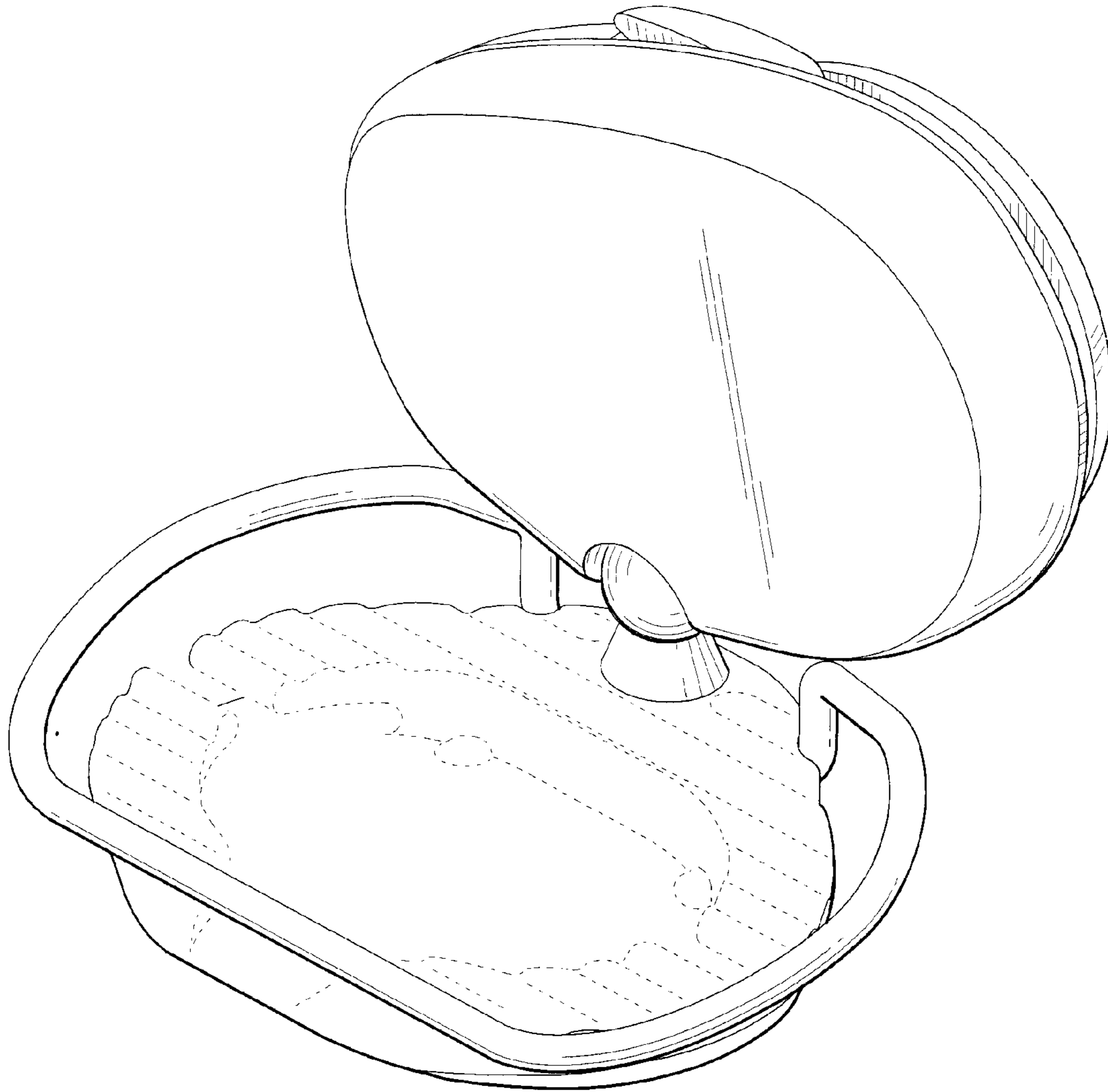


FIG. 9