

US00D544114S

(12) **United States Design Patent**
Ohta

(10) **Patent No.:** **US D544,114 S**

(45) **Date of Patent:** **** Jun. 5, 2007**

(54) **FRONT COMBINATION LAMP FOR AN
AUTOMOBILE**

D528,681 S * 9/2006 Nakahara D26/28
D528,687 S * 9/2006 Kato D26/28
D529,208 S * 9/2006 Ikeda D26/28

(75) Inventor: **Fumito Ohta**, Wako (JP)

* cited by examiner

(73) Assignee: **Honda Motor Co., Ltd.**, Tokyo (JP)

Primary Examiner—Marcus A. Jackson

(**) Term: **14 Years**

(74) *Attorney, Agent, or Firm*—Westerman, Hattori, Daniels
& Adrian, LLP.

(21) Appl. No.: **29/263,979**

(57) **CLAIM**

(22) Filed: **Aug. 2, 2006**

The ornamental design for, a front combination lamp for an automobile, as shown and described.

(30) **Foreign Application Priority Data**

DESCRIPTION

Feb. 6, 2006 (JP) 2006-002527

(51) **LOC (8) Cl.** **26-06**

FIG. 1 is a front elevation view of a front combination lamp for an automobile, showing our new design;

(52) **U.S. Cl.** **D26/28**

FIG. 2 is a top plan view thereof;

(58) **Field of Classification Search** D26/28-36;
362/459-468, 475-478, 485-487
See application file for complete search history.

FIG. 3 is a right side elevation view thereof; and,

FIG. 4 is a perspective view thereof.

The broken lines are for illustrative purposes only and form no part of the claimed design.

(56) **References Cited**

U.S. PATENT DOCUMENTS

D528,231 S * 9/2006 Ikeda D26/28

1 Claim, 4 Drawing Sheets

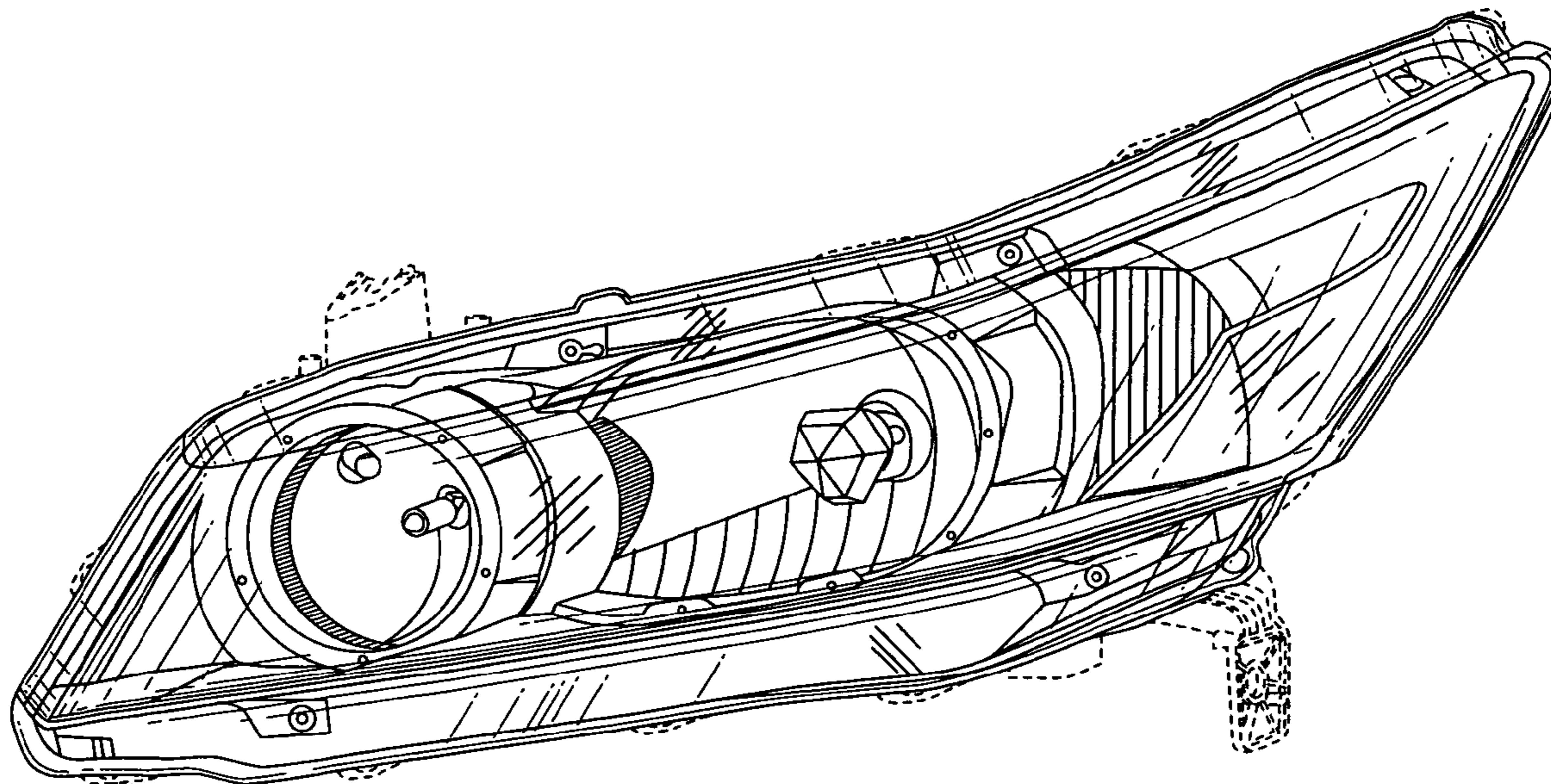


Fig. 1

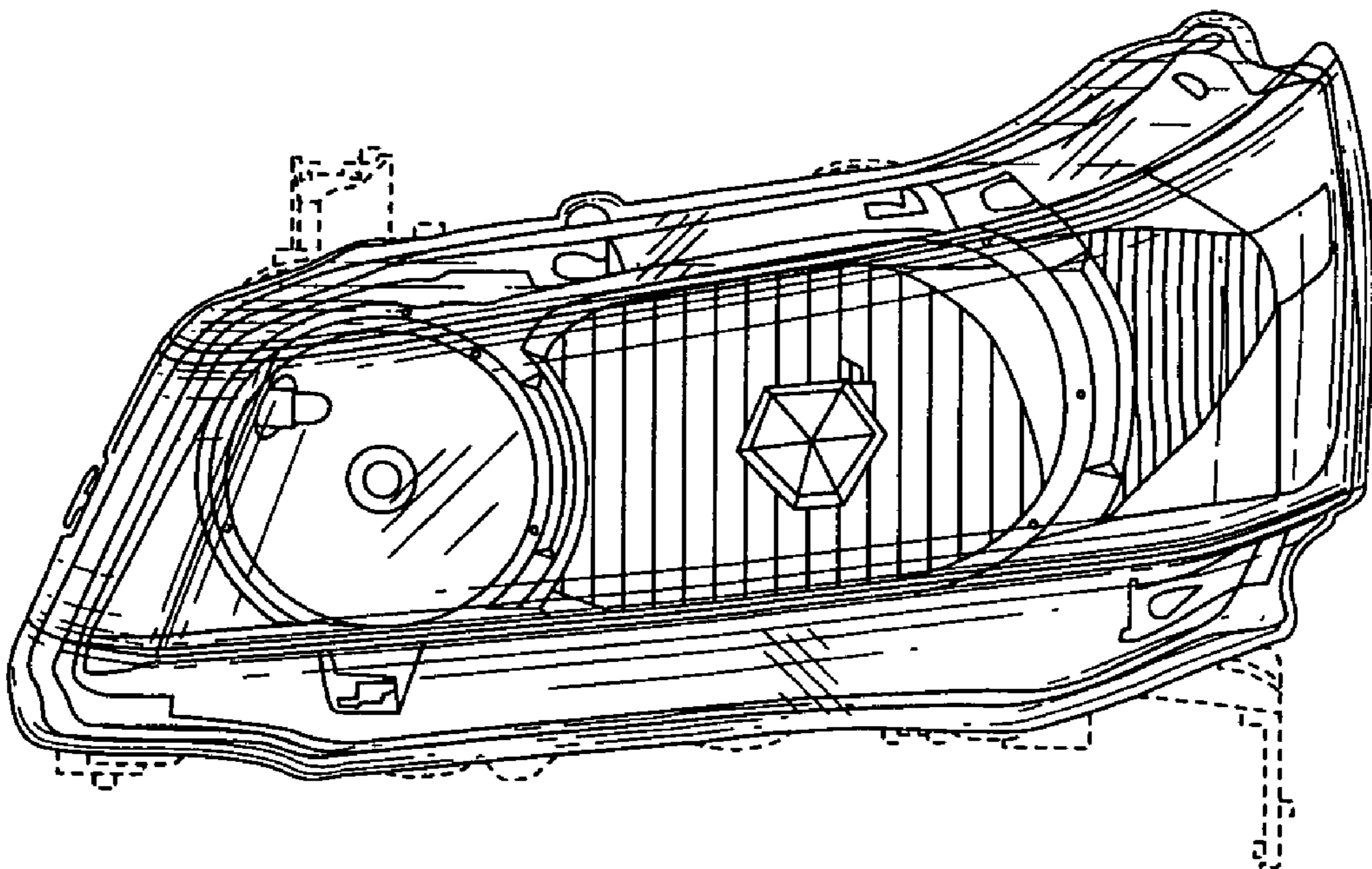


Fig. 2

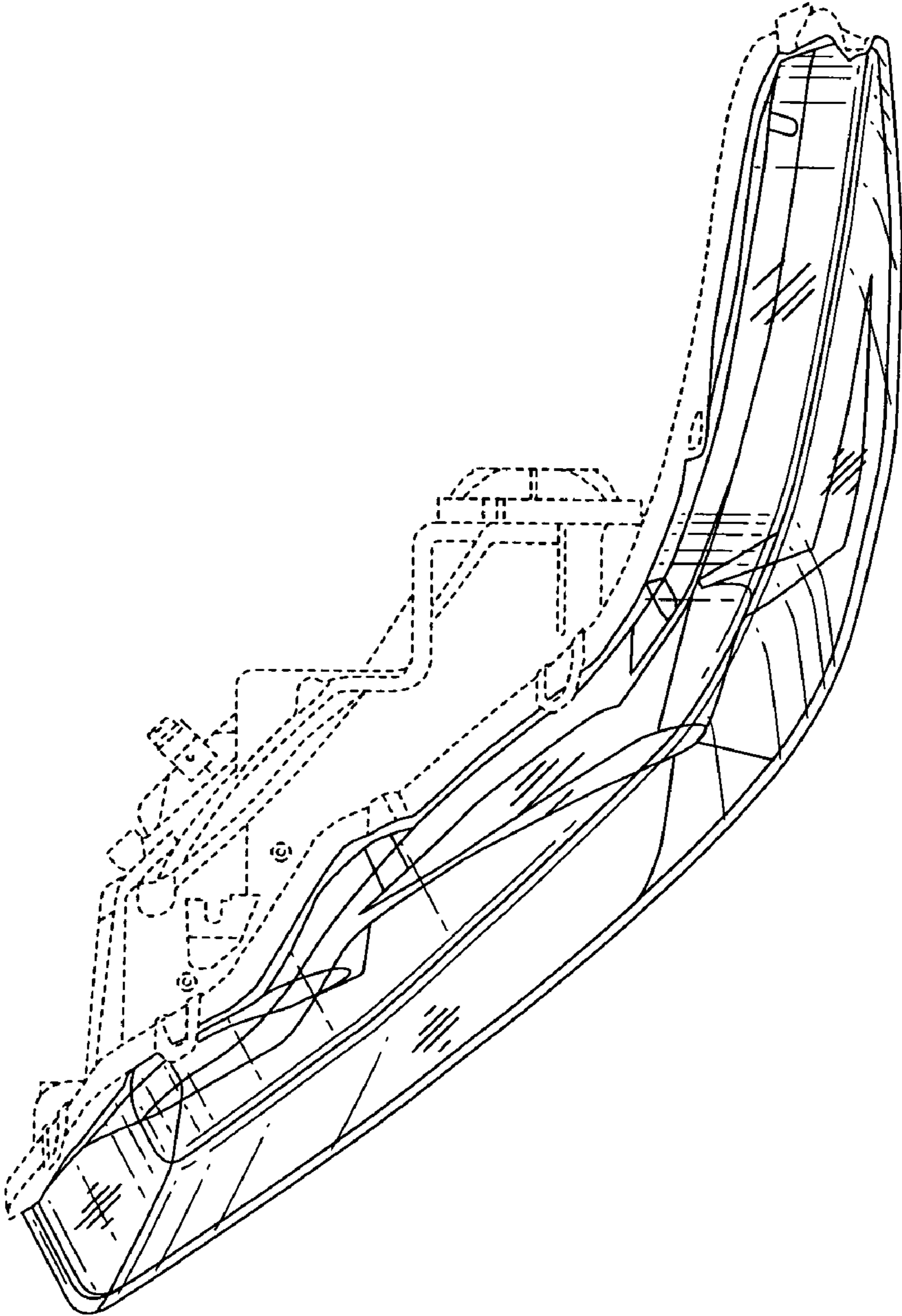


Fig. 3

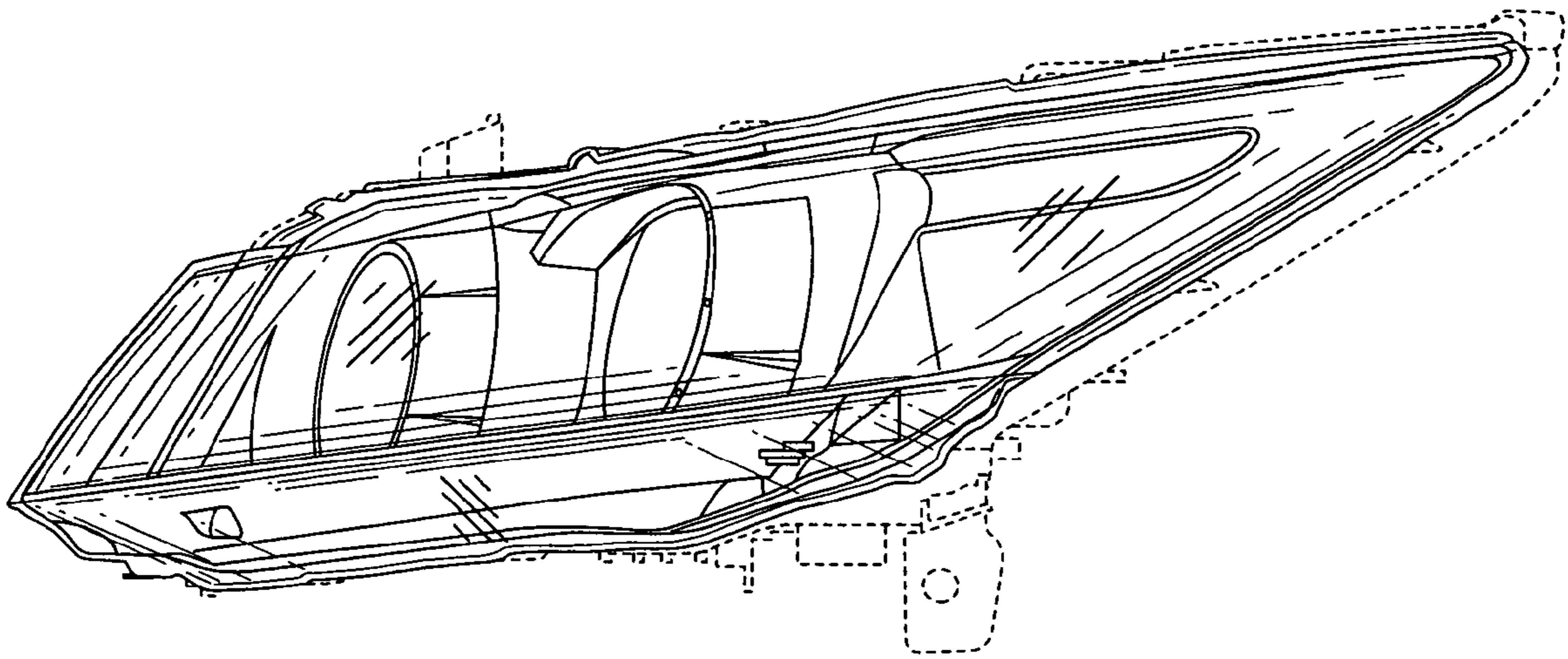


Fig. 4

