



US00D544110S

(12) **United States Design Patent**
Hooker et al.

(10) **Patent No.:** **US D544,110 S**
(45) **Date of Patent:** **** Jun. 5, 2007**

(54) **LED LAMP**

(75) Inventors: **James Hooker**, Birchgrove (GB); **Jan Leunis**, Oirschot (NL); **Raymond Berg**, Lisse (NL)

(73) Assignee: **Flowil International Lighting (Holding) B.V.** (NL)

(**) Term: **14 Years**

(21) Appl. No.: **29/266,106**

(22) Filed: **Sep. 14, 2006**

(51) **LOC (8) Cl.** **26-02**

(52) **U.S. Cl.** **D26/2**

(58) **Field of Classification Search** D26/1-4;
313/313, 315, 317, 318, 493; 315/52, 53,
315/56, 57, 58

See application file for complete search history.

(56) **References Cited**

U.S. PATENT DOCUMENTS

D523,825 S * 6/2006 Egawa D13/180
D535,039 S * 1/2007 Sorokin D26/24

* cited by examiner

Primary Examiner—Marcus A. Jackson

(74) *Attorney, Agent, or Firm*—The Webb Law Firm

(57) **CLAIM**

The ornamental design for a LED lamp, as shown and described herein.

DESCRIPTION

FIG. 1 is a front perspective view of an LED lamp showing the new design;

FIG. 2 is a back perspective view of the design shown in FIG. 1;

FIG. 3 is an side elevational view of the design shown in FIG. 1;

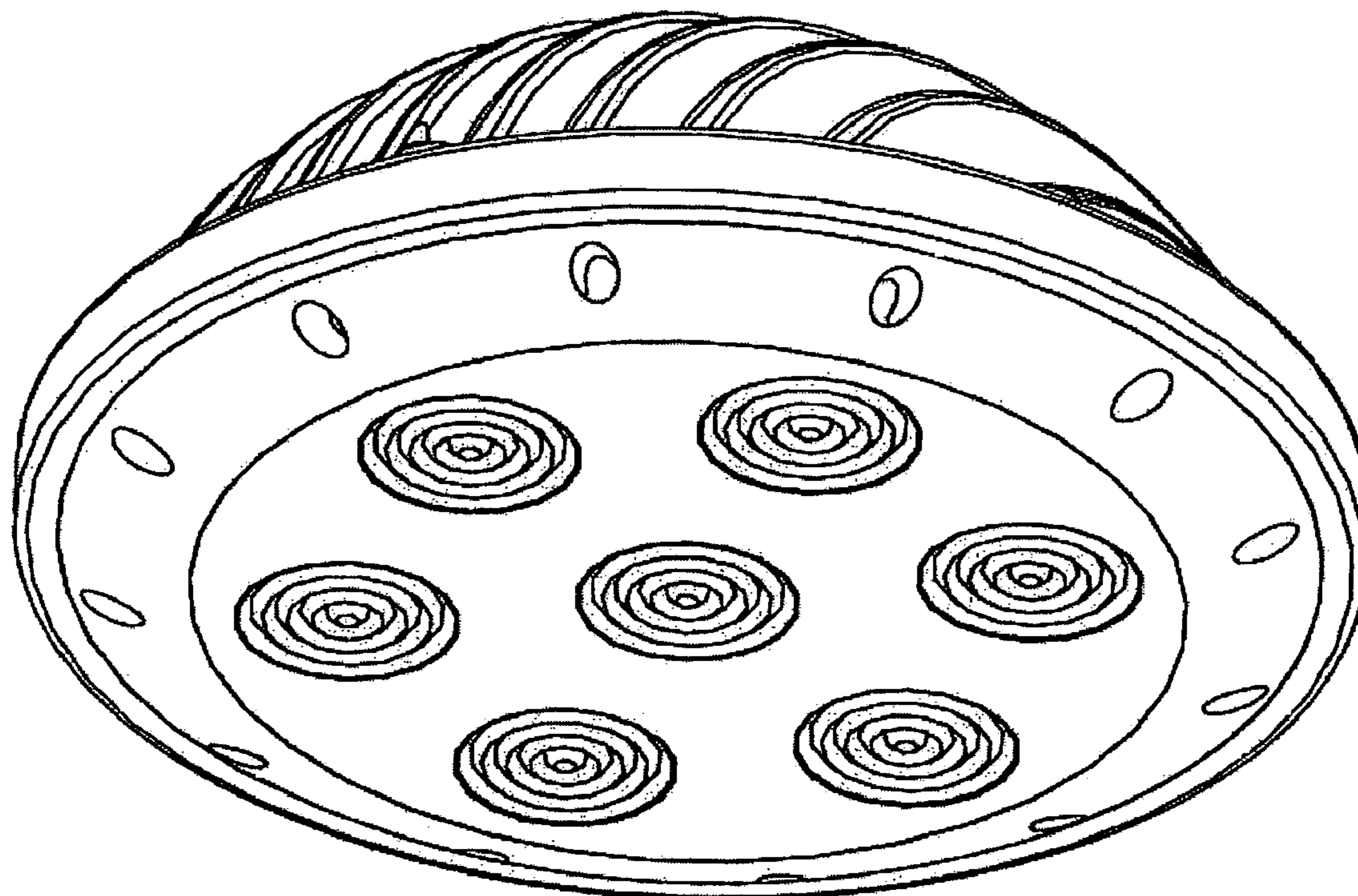
FIG. 4 is a top elevational view of the design shown in FIG. 1;

FIG. 5 is a back plan view of the design shown in FIG. 1; and,

FIG. 6 is a front plan view of the design shown in FIG. 1.

It is to be understood that the size of the LED lamp may vary.

1 Claim, 6 Drawing Sheets



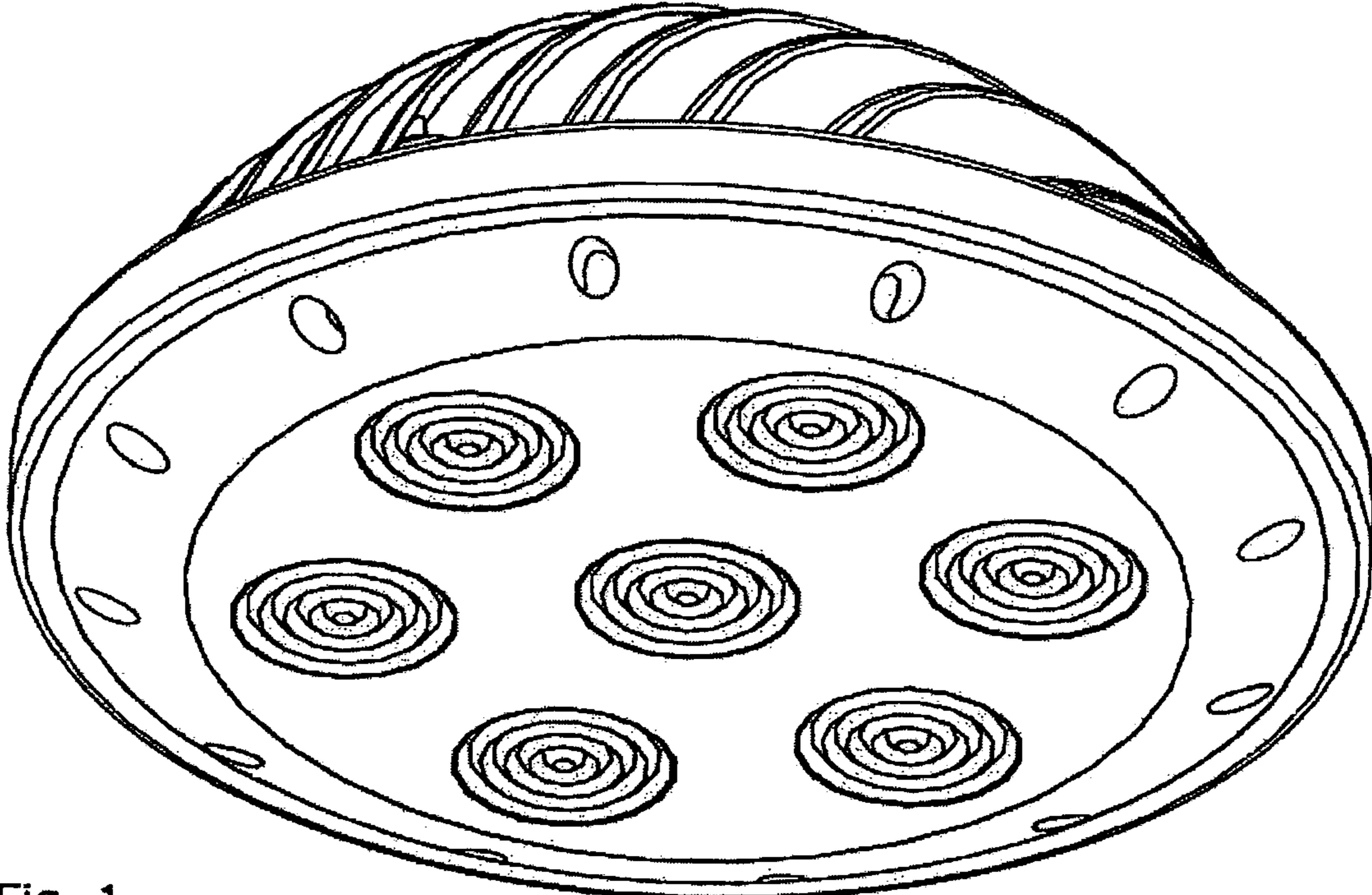


Fig. 1

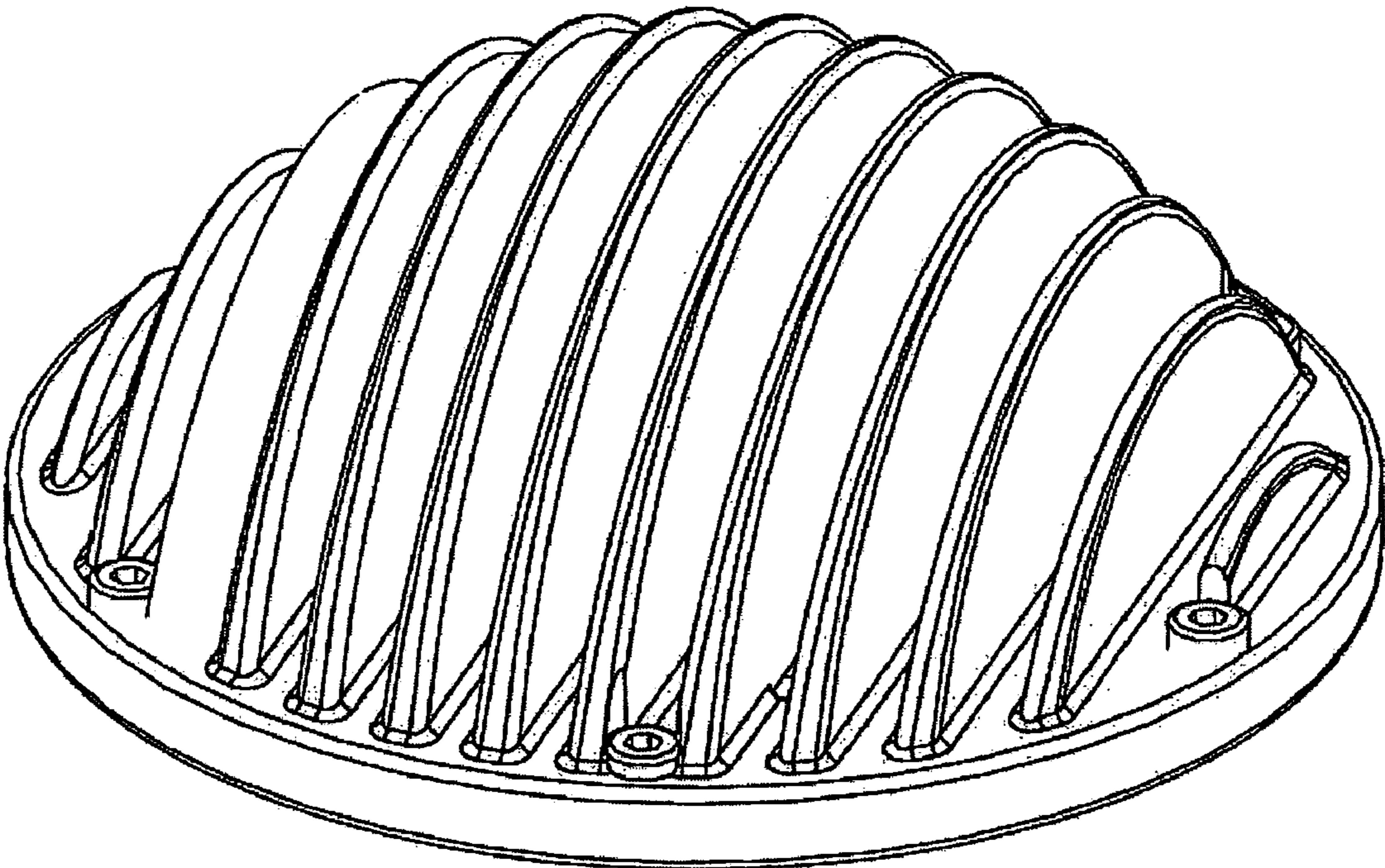


Fig. 2

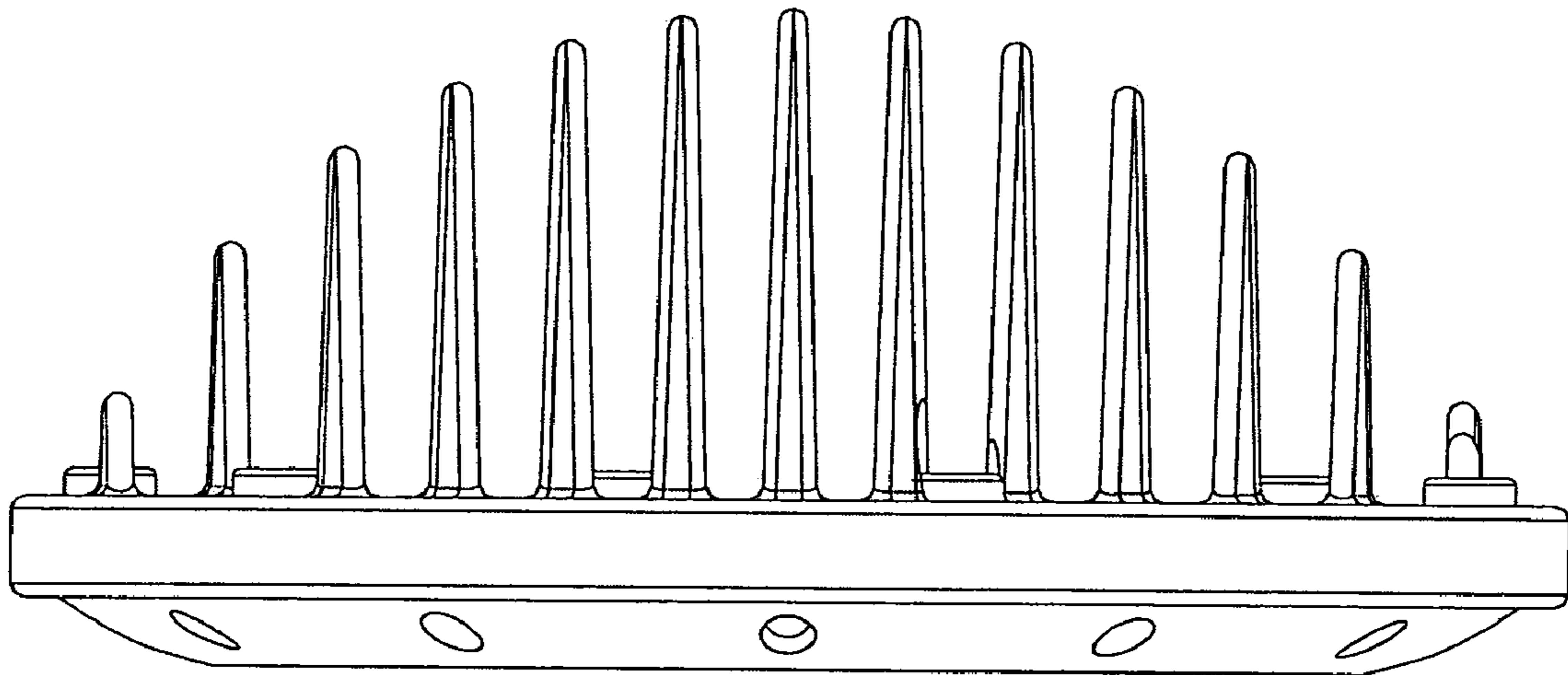


Fig. 3

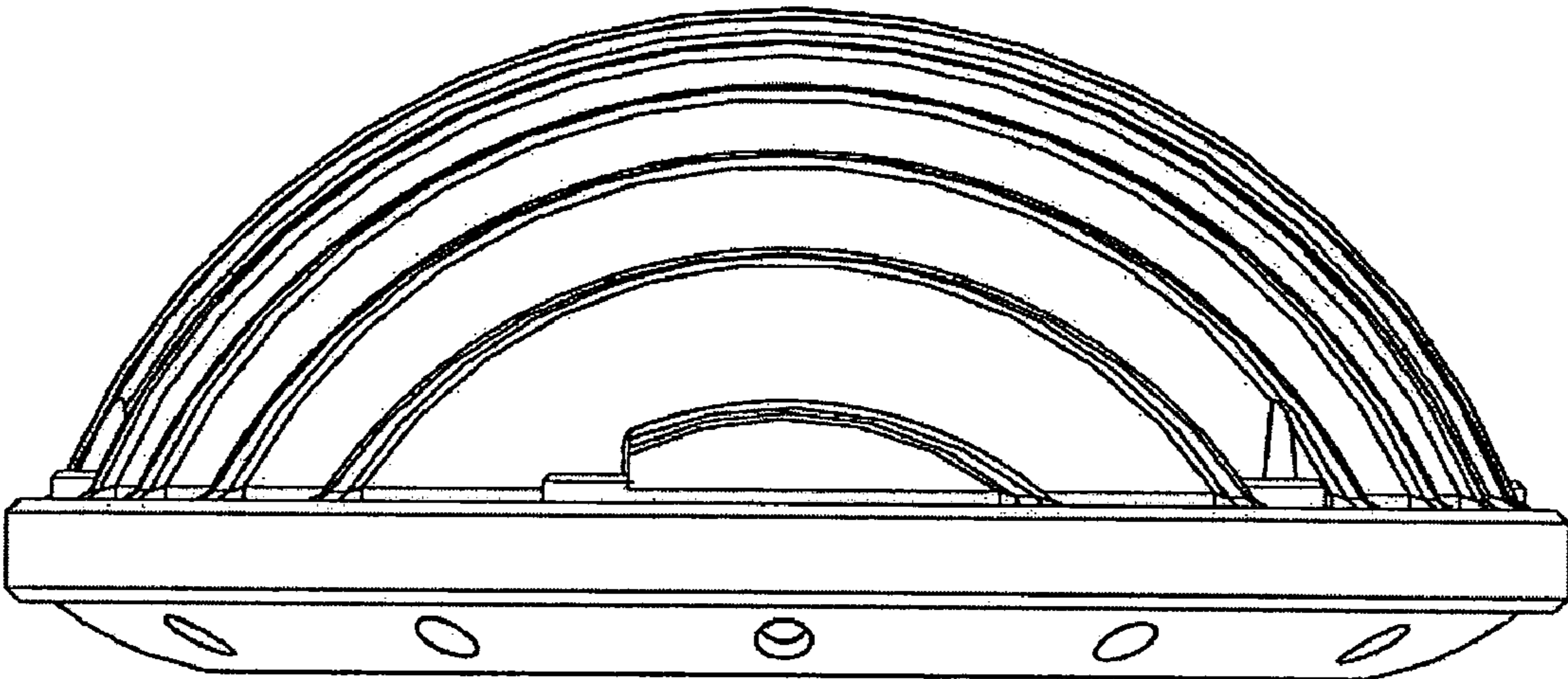


Fig. 4

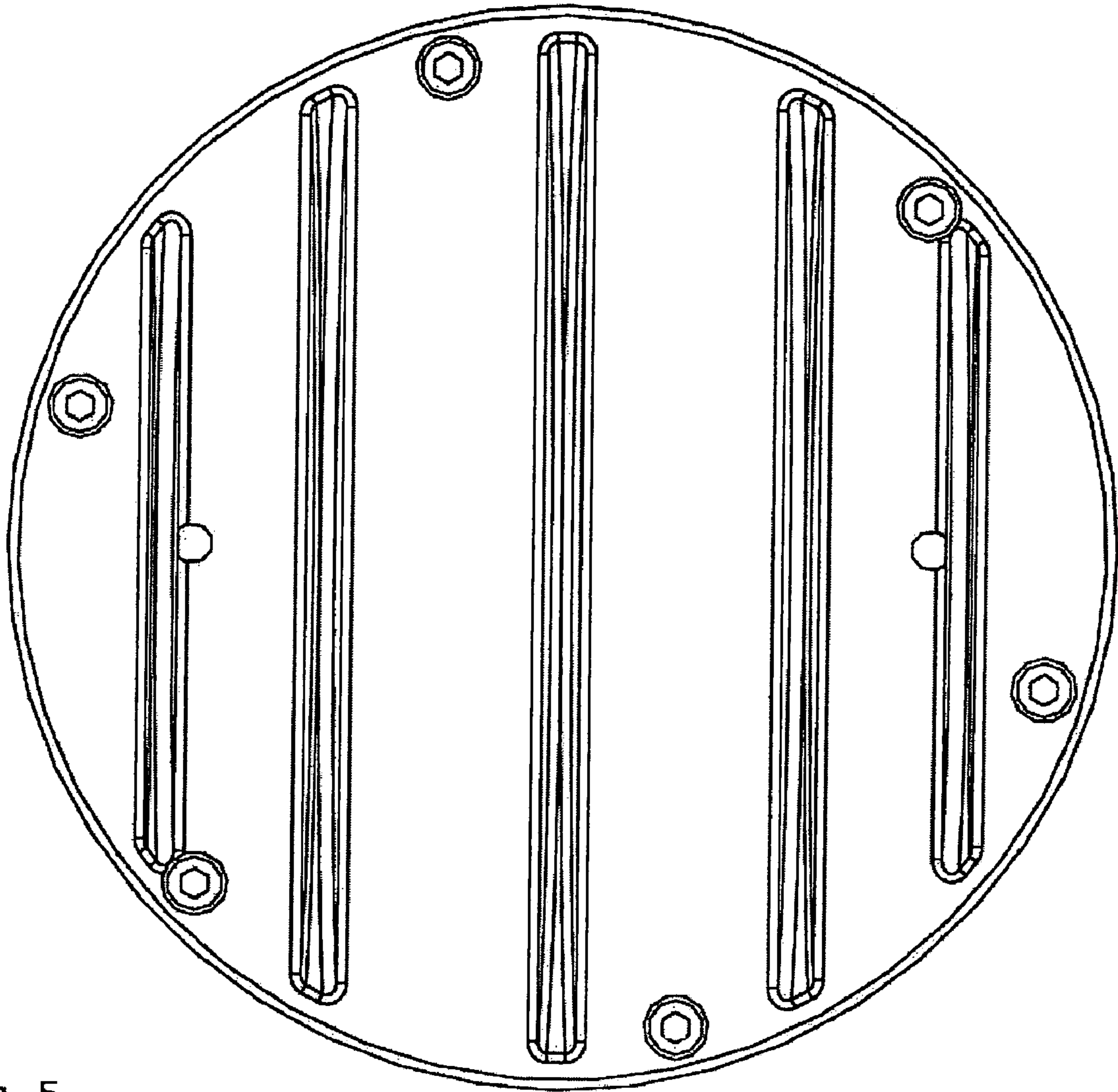


Fig. 5

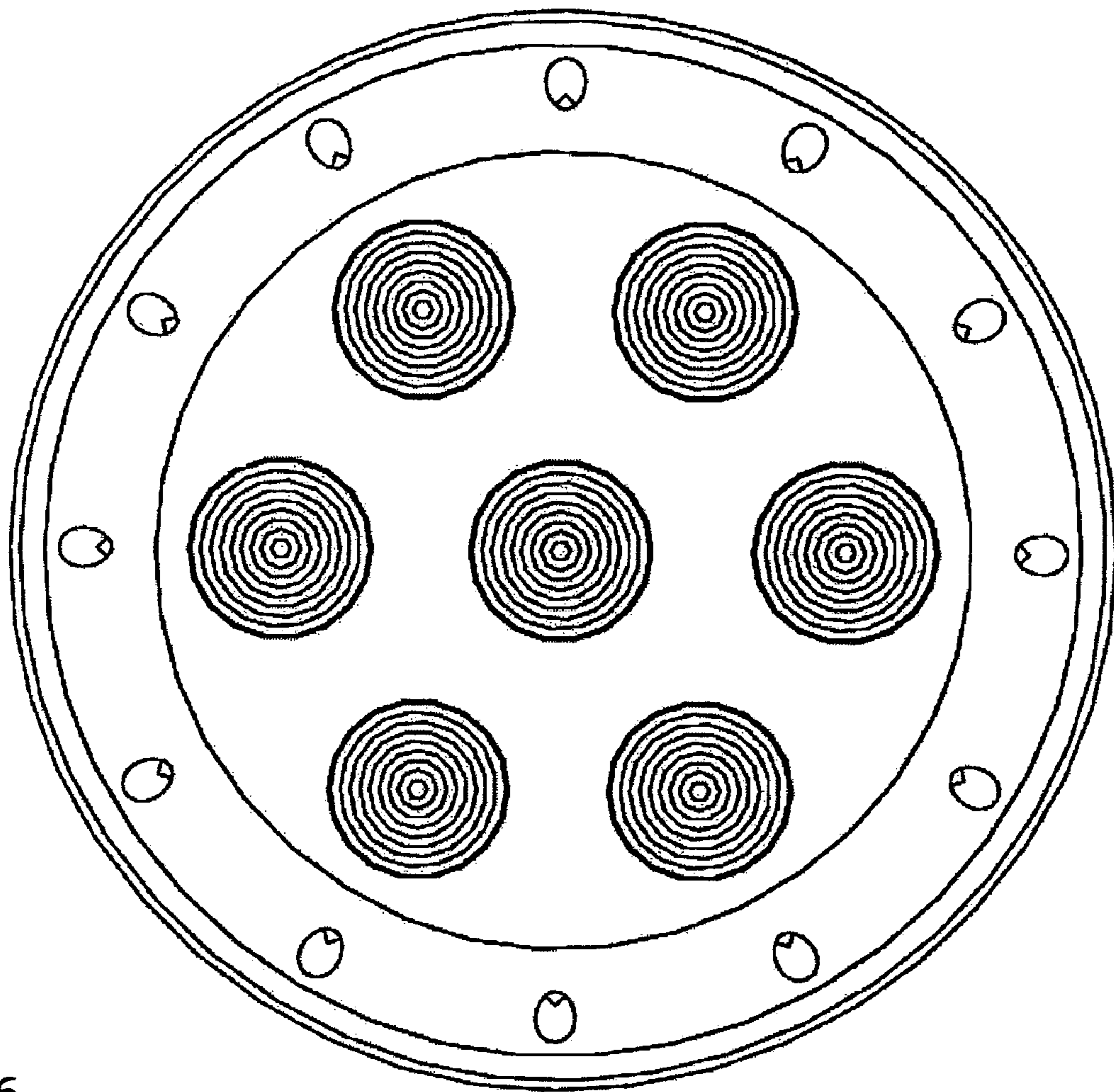


Fig. 6