



US00D544107S

(12) **United States Design Patent**  
**Timothy**

(10) **Patent No.:** **US D544,107 S**  
(45) **Date of Patent:** **\*\* Jun. 5, 2007**

(54) **BALUSTER SHOE**

(75) Inventor: **E. Erik Timothy**, Apollo Beach, FL  
(US)

(73) Assignee: **Nationwide Industries, Inc.**, Tampa,  
FL (US)

(\*\*) Term: **14 Years**

(21) Appl. No.: **29/249,977**

(22) Filed: **Oct. 27, 2006**

(51) **LOC (8) Cl.** ..... **25-01**

(52) **U.S. Cl.** ..... **D25/133**

(58) **Field of Classification Search** ..... D25/133,  
D25/38, 43, 39, 126; 52/720.2, 721.5, 736.3,  
52/736.4, 737.4, 737.5, 146, 170; 256/59,  
256/65.01, 68, 72, 65.02, 65.04, 65.08, 65.11,  
256/65.15, 65.16

See application file for complete search history.

(56) **References Cited**

**U.S. PATENT DOCUMENTS**

4,038,802 A \* 8/1977 Bajorek et al. .... 52/720.02  
D443,937 S \* 6/2001 Prokop ..... D25/133  
D503,813 S \* 4/2005 Steffes et al. .... D25/133

\* cited by examiner

*Primary Examiner*—Doris Clark

(74) *Attorney, Agent, or Firm*—George R. McGuire; Bond,  
Schoeneck & King, PLLC

(57) **CLAIM**

The ornamental design for a baluster shoe, shown and  
described.

**DESCRIPTION**

FIG. 1 is a perspective view of a baluster shoe shown in its  
intended use of fixing a baluster to a railing, with the baluster  
and railing shown in phantom for environmental purposes  
only and forming no part of the claimed invention;

FIG. 2 is a first side elevation view thereof;

FIG. 3 is a front elevation view thereof

FIG. 4 is a rear elevation view thereof;

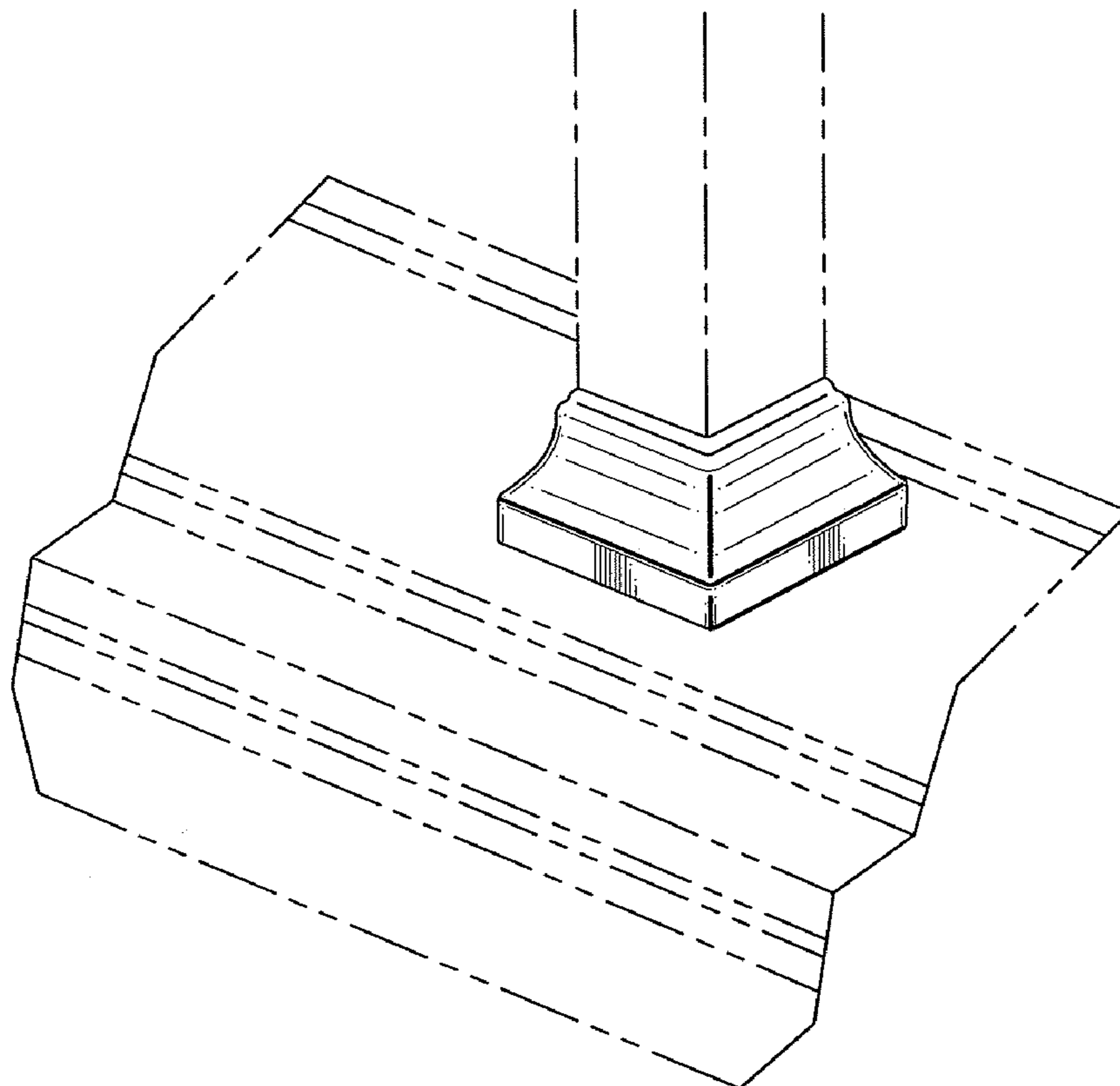
FIG. 5 is a second side elevation view thereof

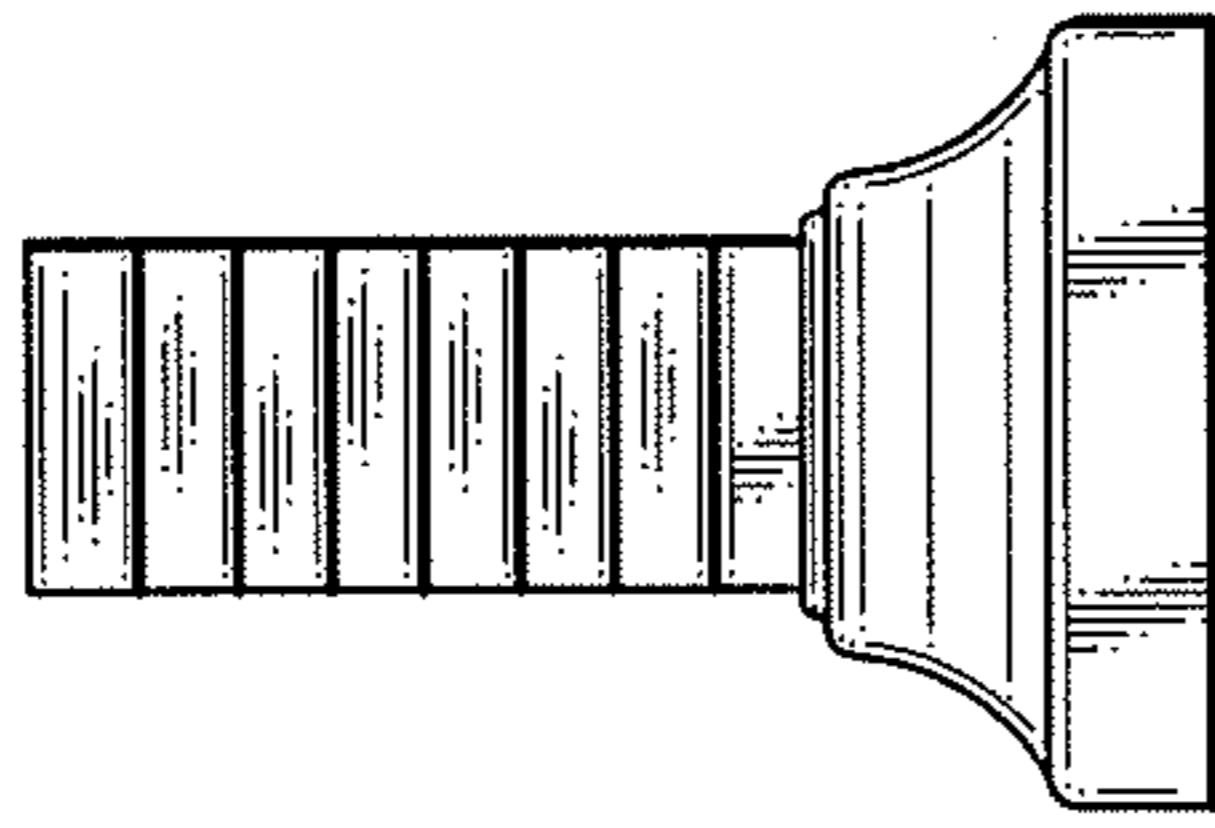
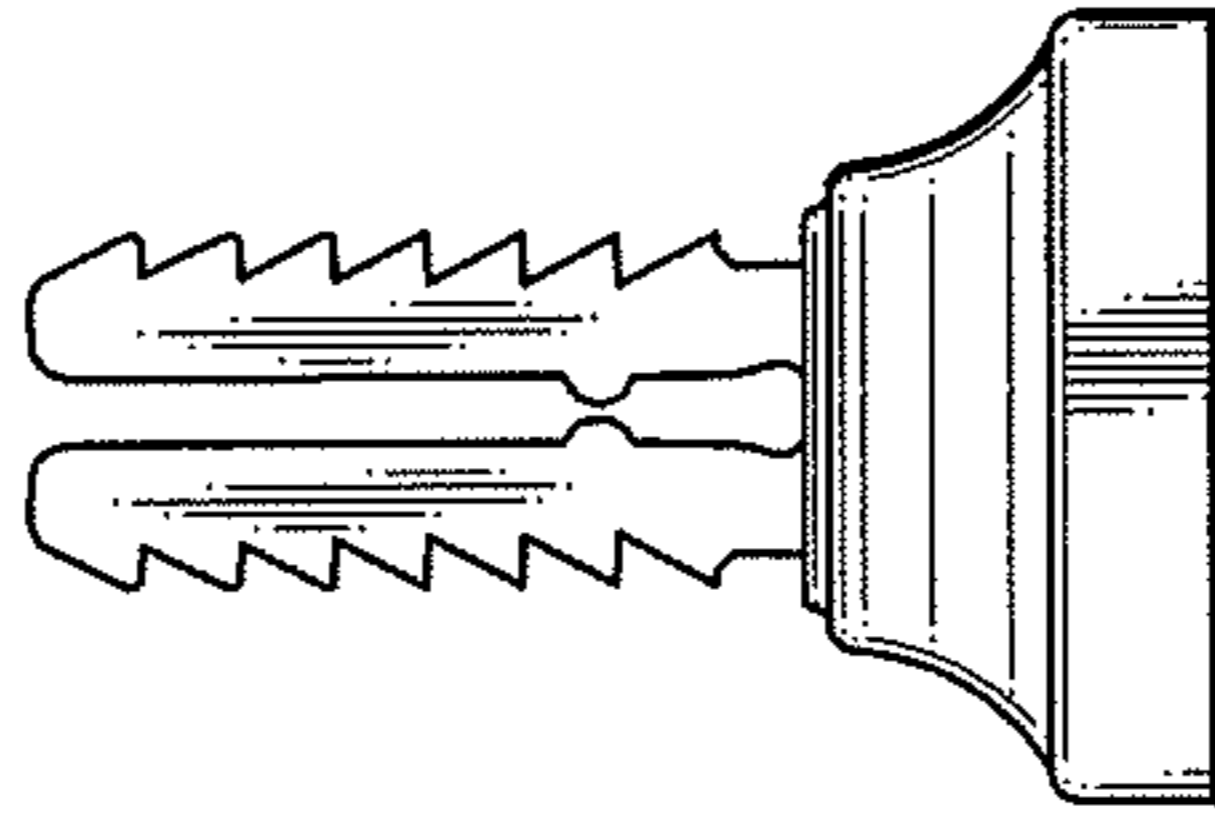
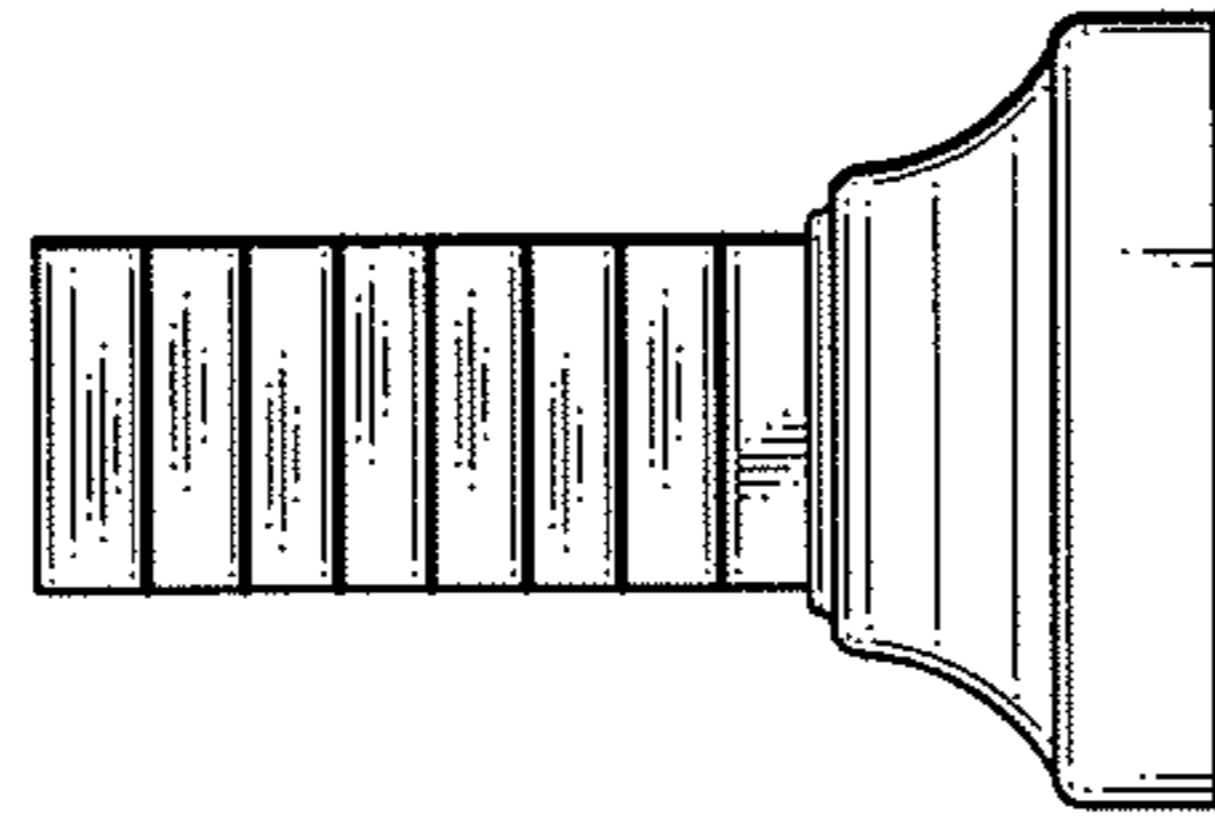
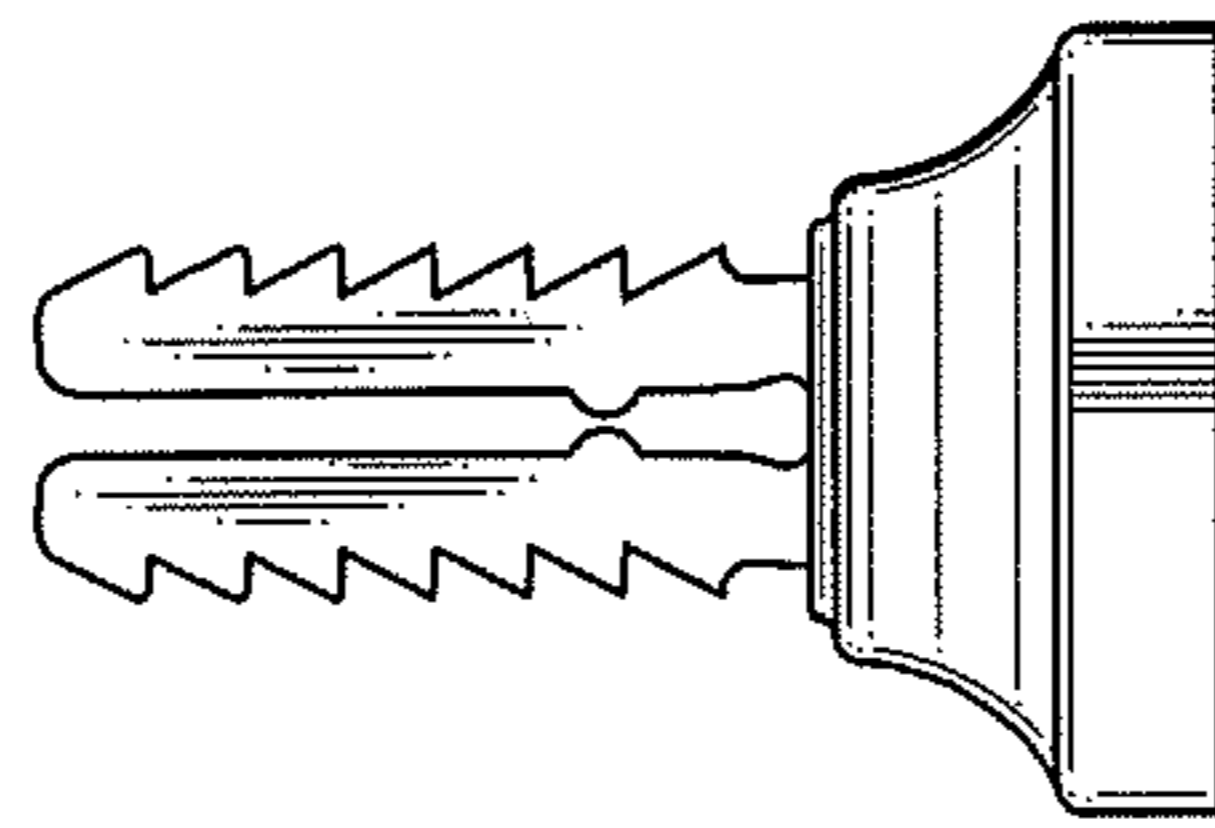
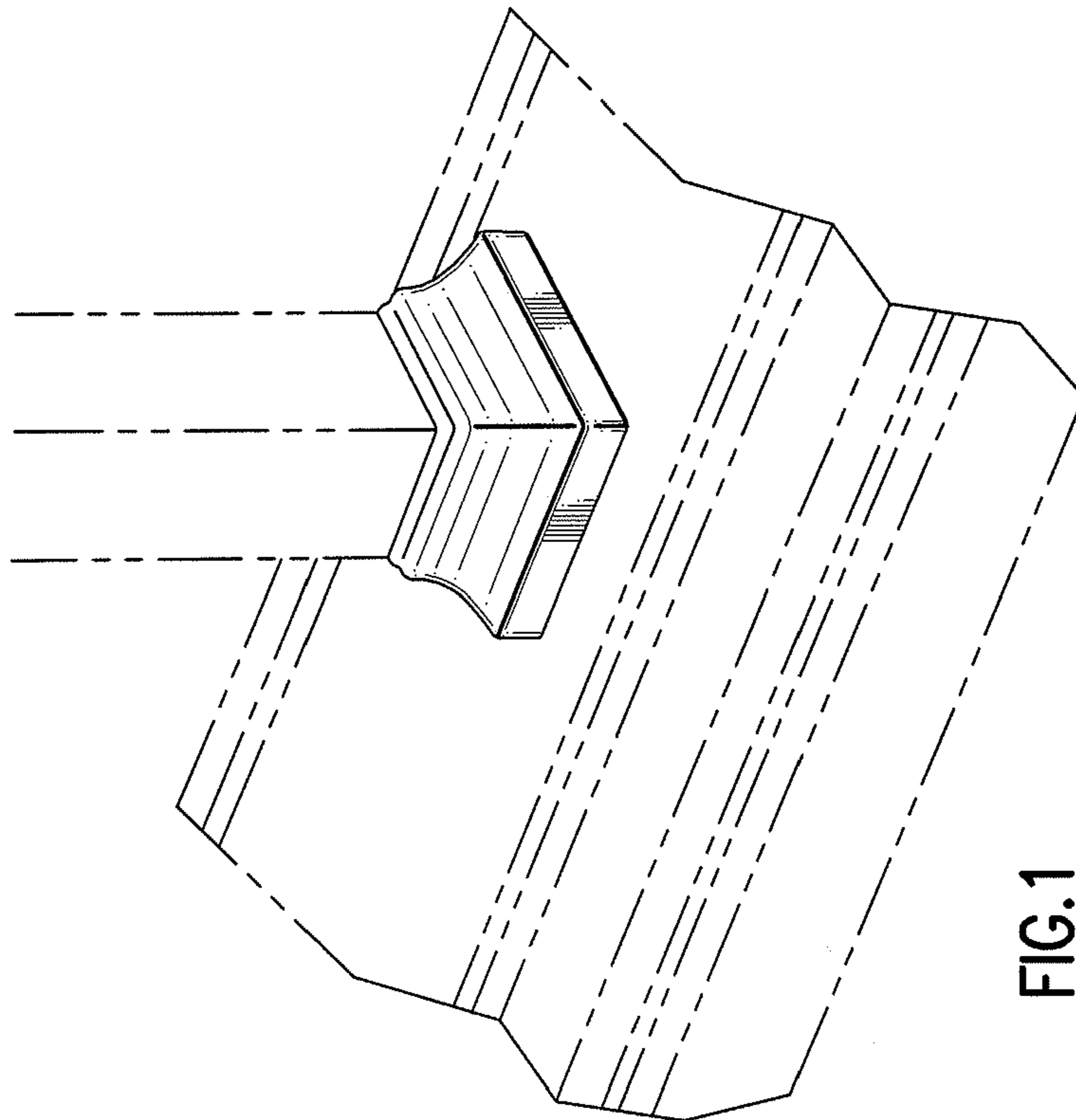
FIG. 6 is a top plan view thereof;

FIG. 7 is a bottom plan view thereof with the webbing  
shown in phantom for illustrative purpose only and forming  
no part of the claimed invention; and,

FIG. 8 is a perspective view of the baluster shoe.

**1 Claim, 2 Drawing Sheets**





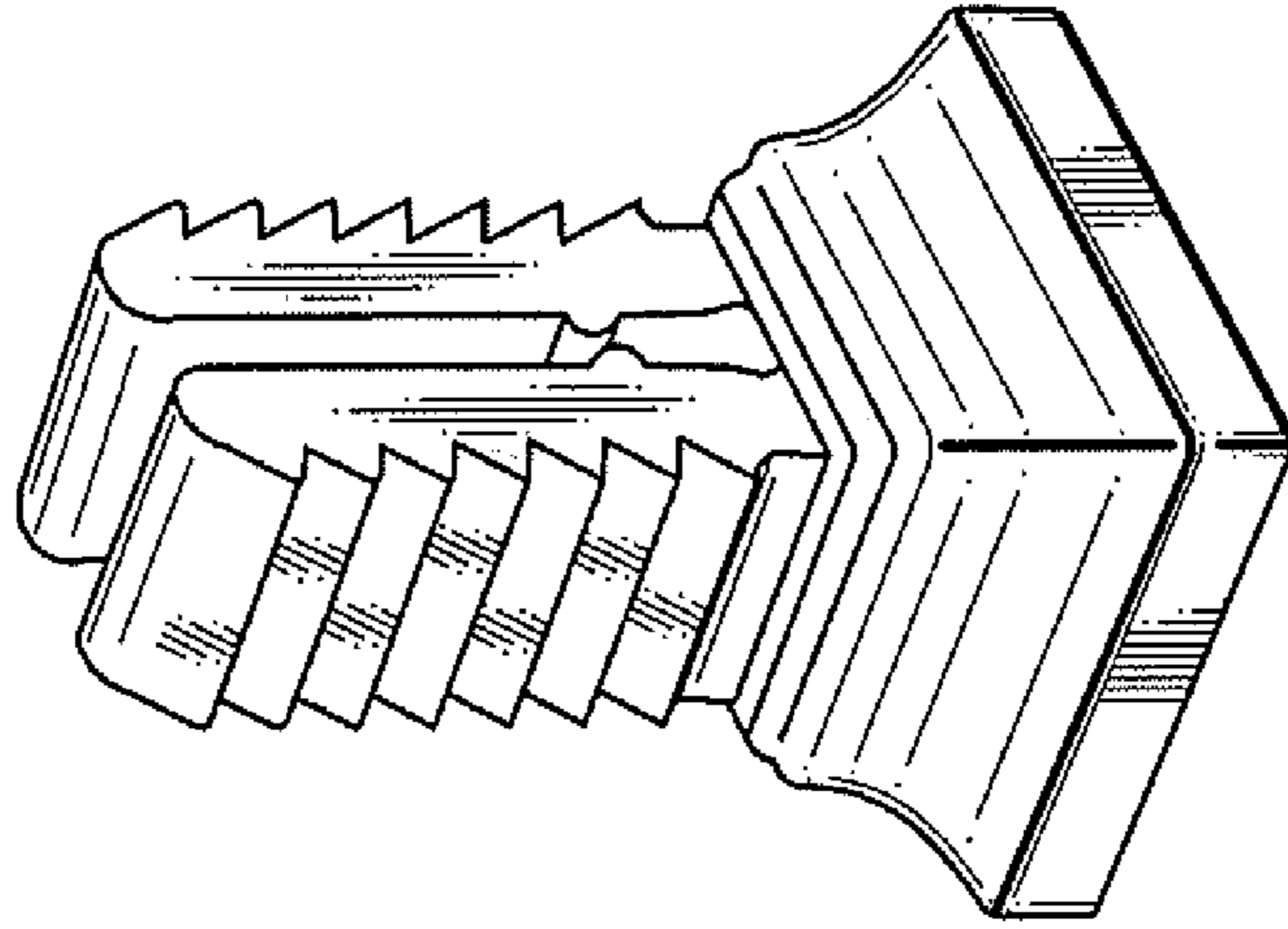


FIG. 8

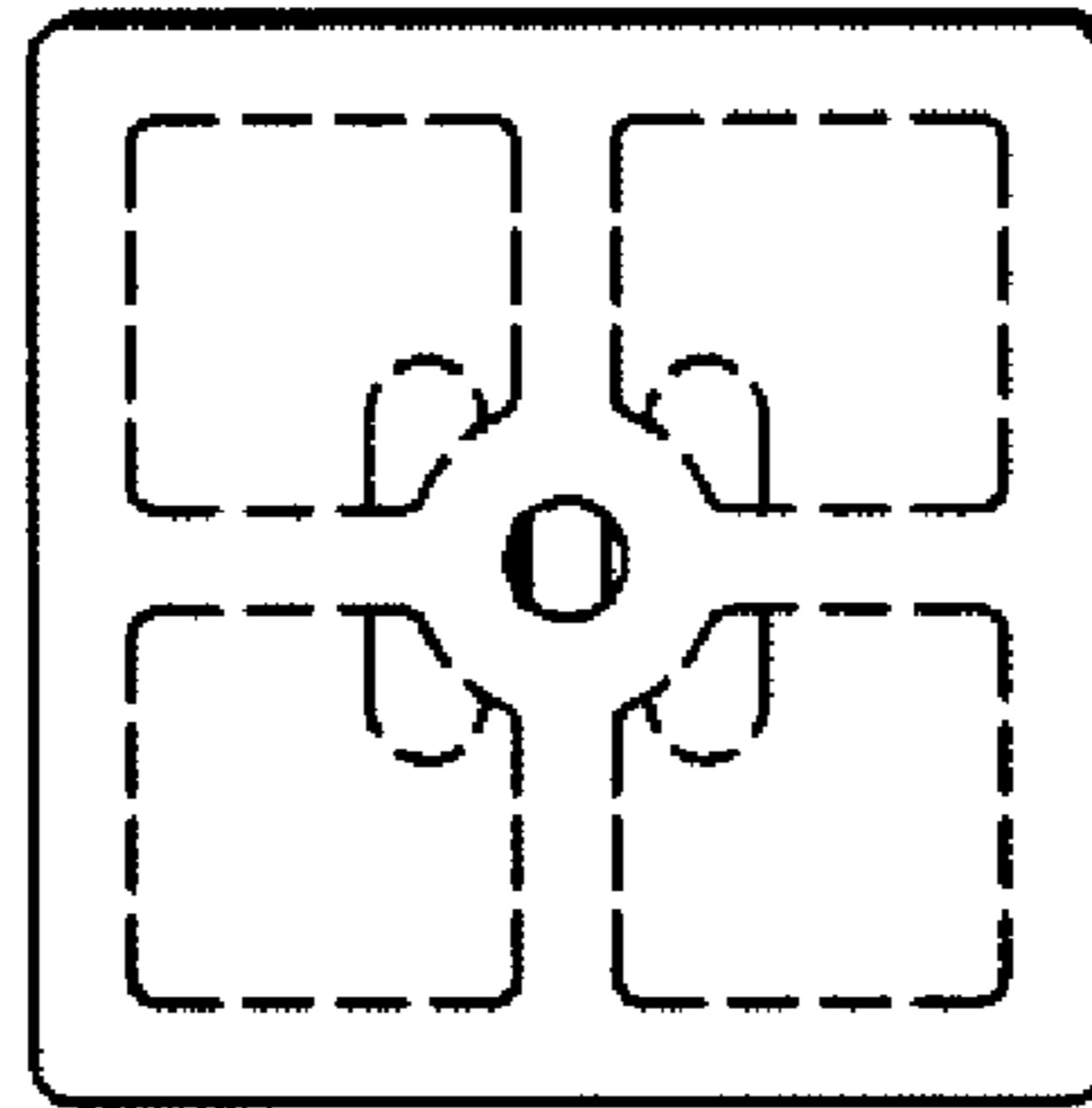


FIG. 7

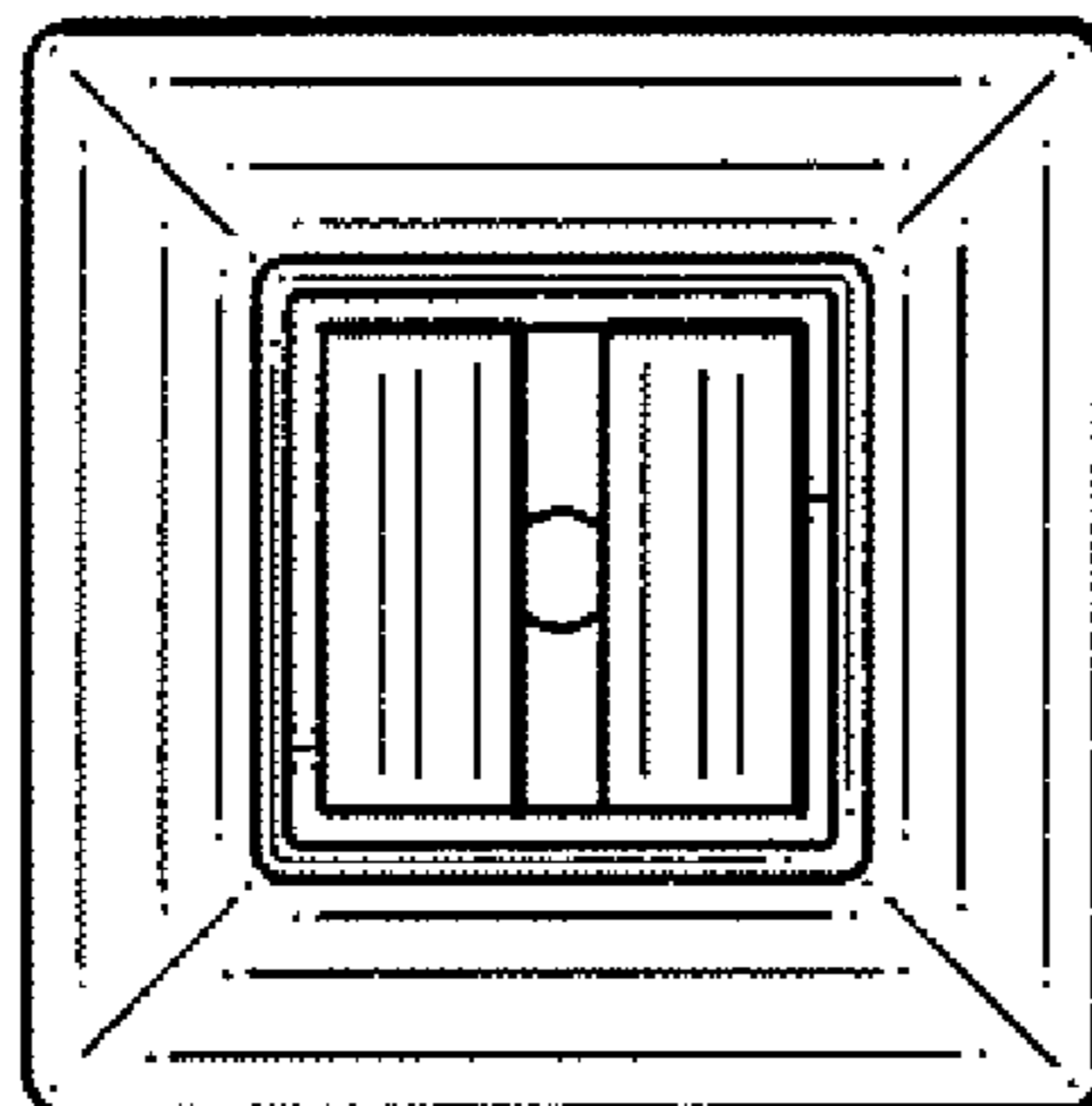


FIG. 6