



US00D544106S

(12) **United States Design Patent** (10) **Patent No.:** **US D544,106 S**
Timothy (45) **Date of Patent:** **** Jun. 5, 2007**

(54) **BALUSTER SHOE**

(75) Inventor: **E. Erik Timothy**, Apollo Beach, FL (US)

(73) Assignee: **Nationwide Industries, Inc.**, Tampa, FL (US)

(**) Term: **14 Years**

(21) Appl. No.: **29/249,976**

(22) Filed: **Oct. 27, 2006**

(51) **LOC (8) Cl.** **25-01**

(52) **U.S. Cl.** **D25/133**

(58) **Field of Classification Search** D25/133,
D25/38, 43, 39, 126; 52/720.2, 721.5, 736.3,
52/736.4, 737.4, 737.5, 146, 170; 256/59,
256/65.01, 68, 72, 65.02, 65.04, 65.08, 65.11,
256/65.15, 65.16

See application file for complete search history.

(56) **References Cited**

U.S. PATENT DOCUMENTS

4,038,802 A *	8/1977	Bajorek et al.	52/720.2
D443,937 S *	6/2001	Prokop	D25/133
D503,813 S *	4/2005	Steffes et al.	D25/133

* cited by examiner

Primary Examiner—Doris Clark
(74) *Attorney, Agent, or Firm*—George R. McGuire; Bond, Schoeneck & King, PLLC

(57) **CLAIM**

The ornamental design for a baluster shoe, shown and described.

DESCRIPTION

FIG. 1 is a perspective view of a baluster shoe shown in its intended use of fixing a baluster to a stair railing, with the baluster and stair railing shown in phantom for environmental purposes only and forming no part of the claimed invention;

FIG. 2 is a first side elevation view thereof;

FIG. 3 is a front elevation view thereof

FIG. 4 is a rear elevation view thereof;

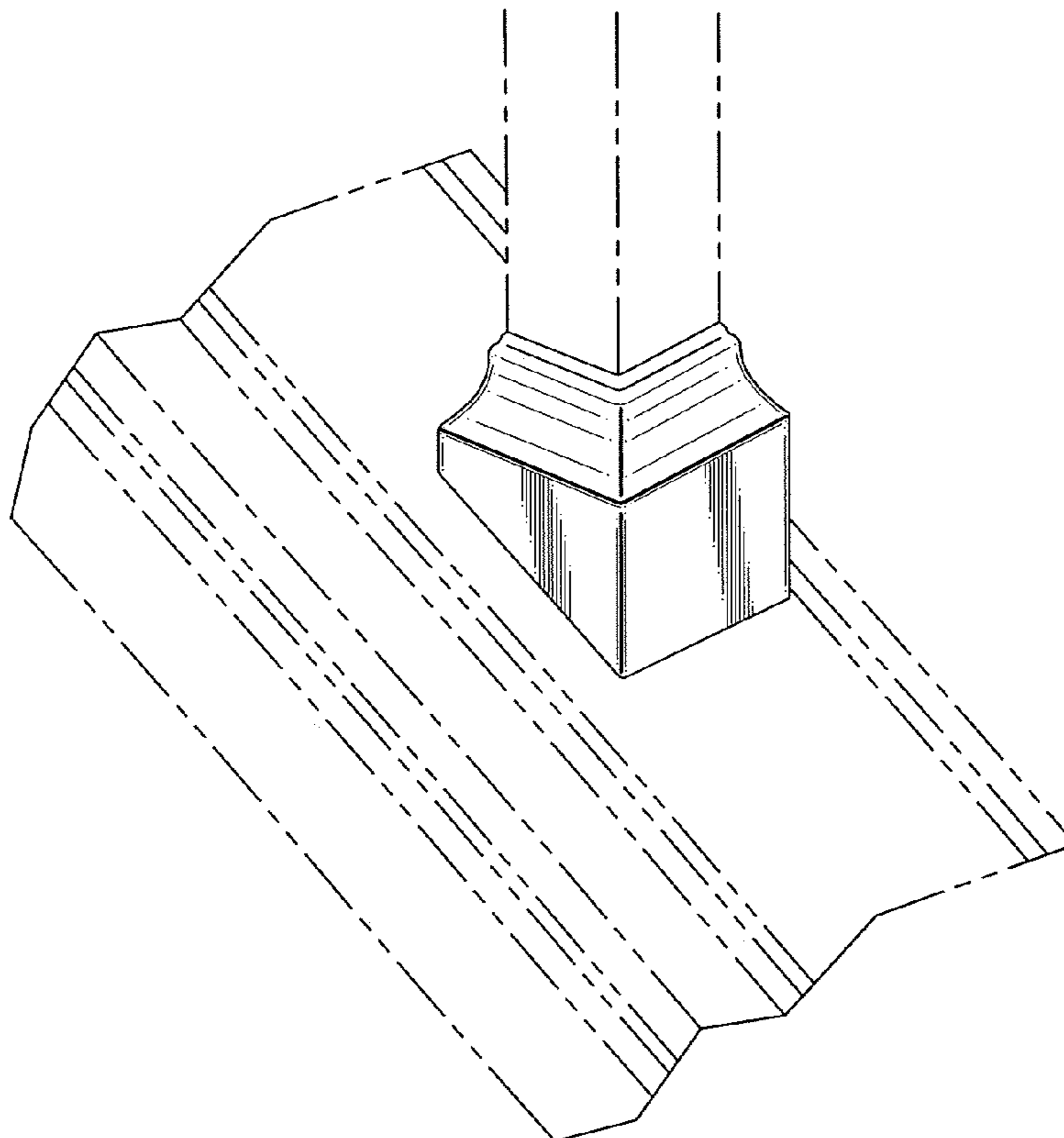
FIG. 5 is a second side elevation view thereof

FIG. 6 is a top plan view thereof;

FIG. 7 is a bottom plan view thereof with the webbing shown in phantom for illustrative purpose only and forming no part of the claimed invention; and,

FIG. 8 is a perspective view of the baluster shoe.

1 Claim, 2 Drawing Sheets



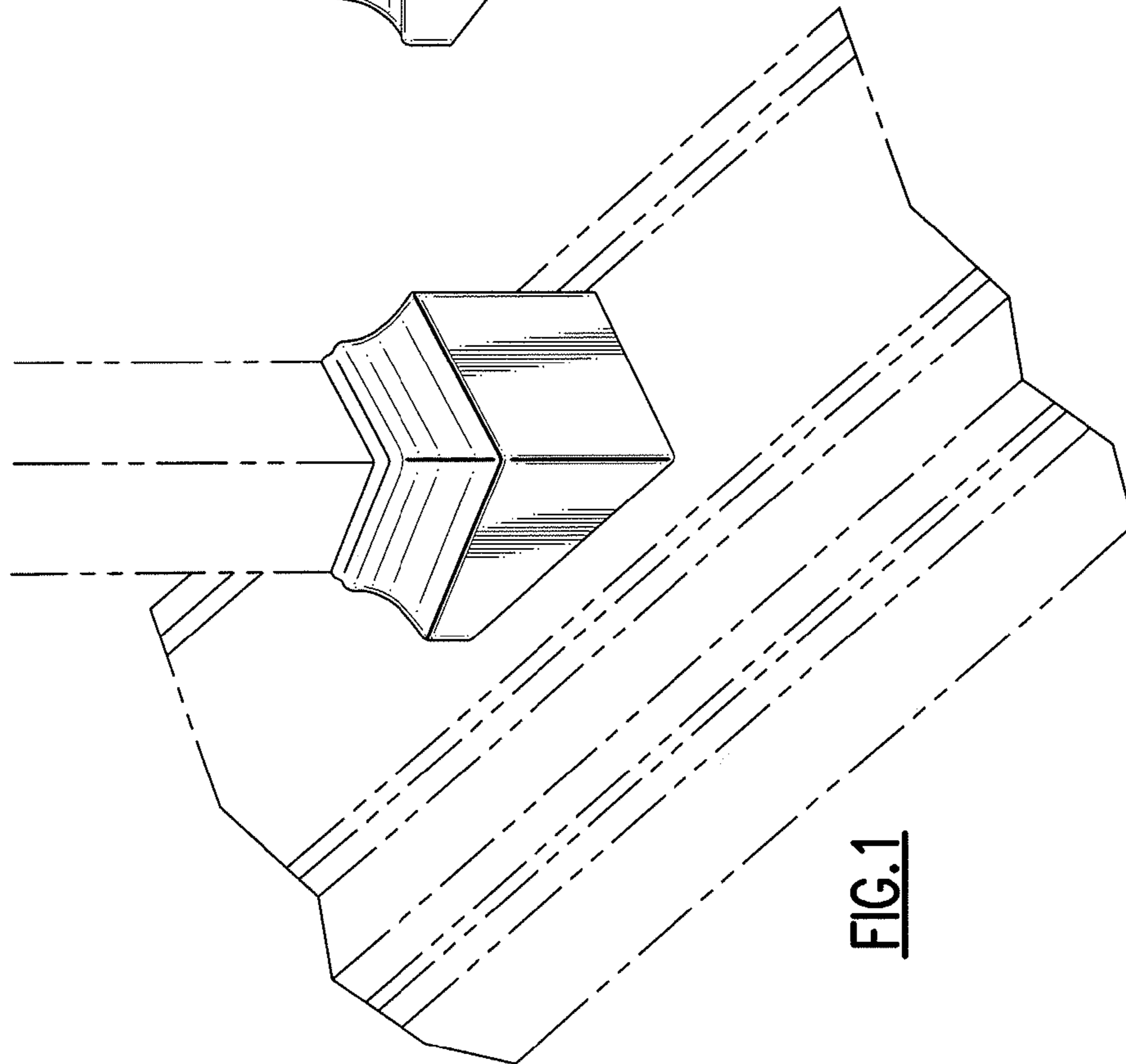


FIG.1

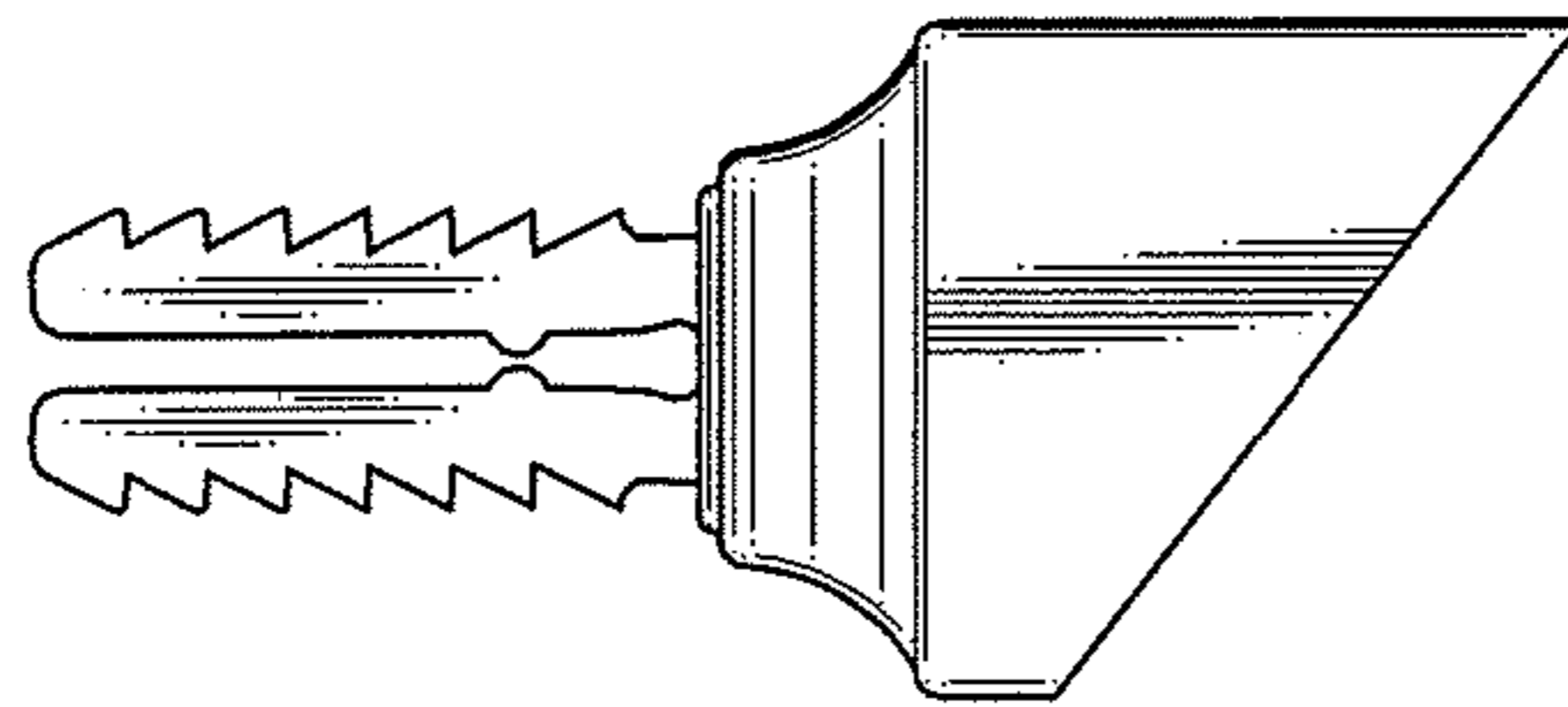


FIG.3

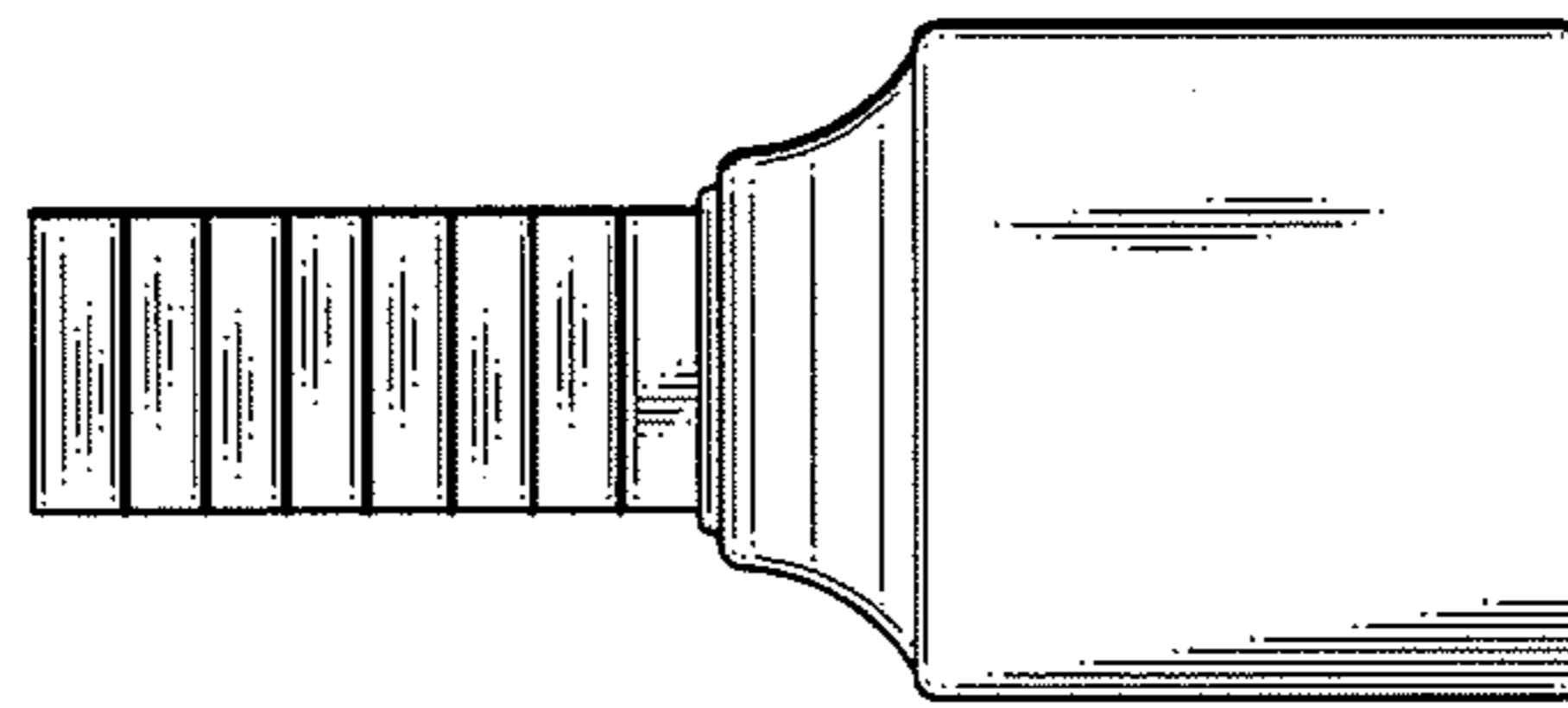


FIG.2

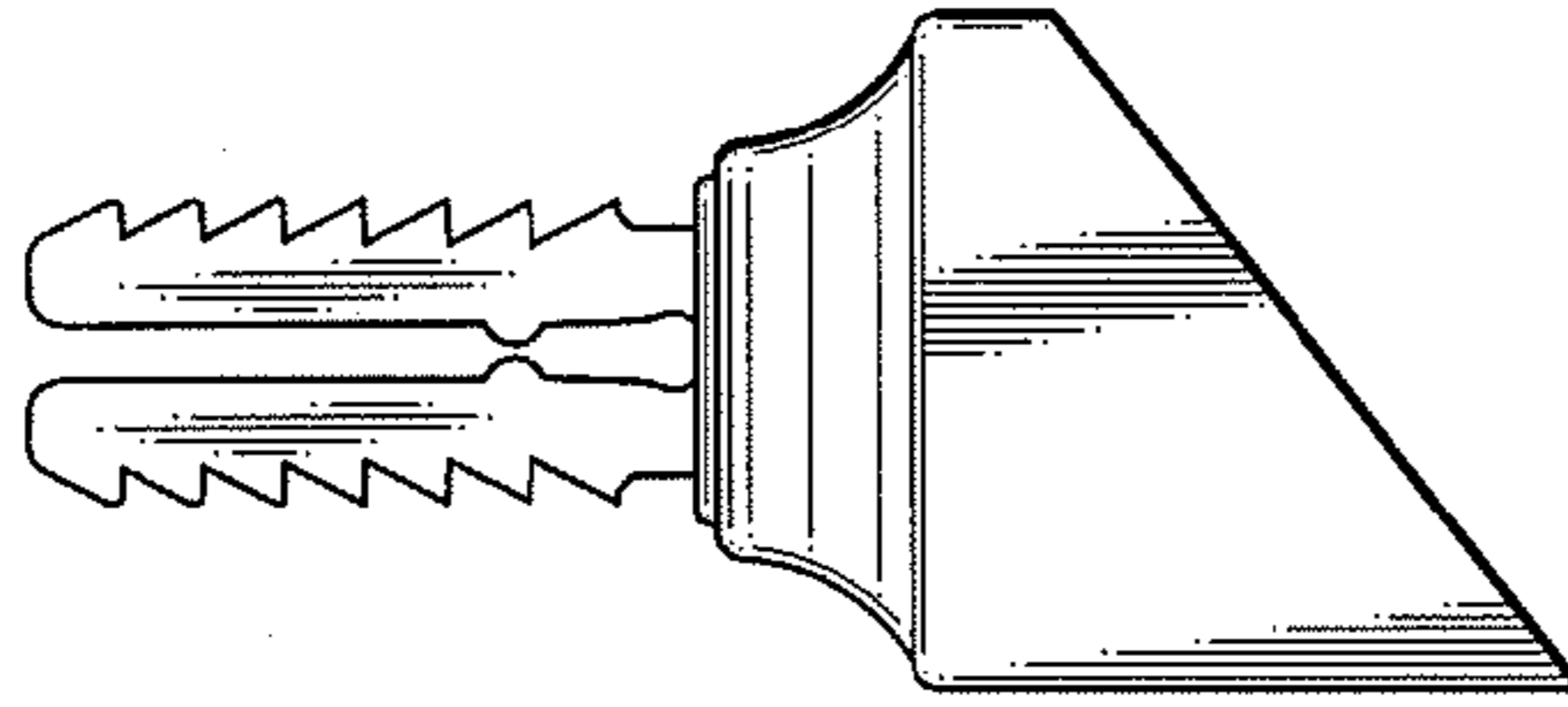


FIG.4

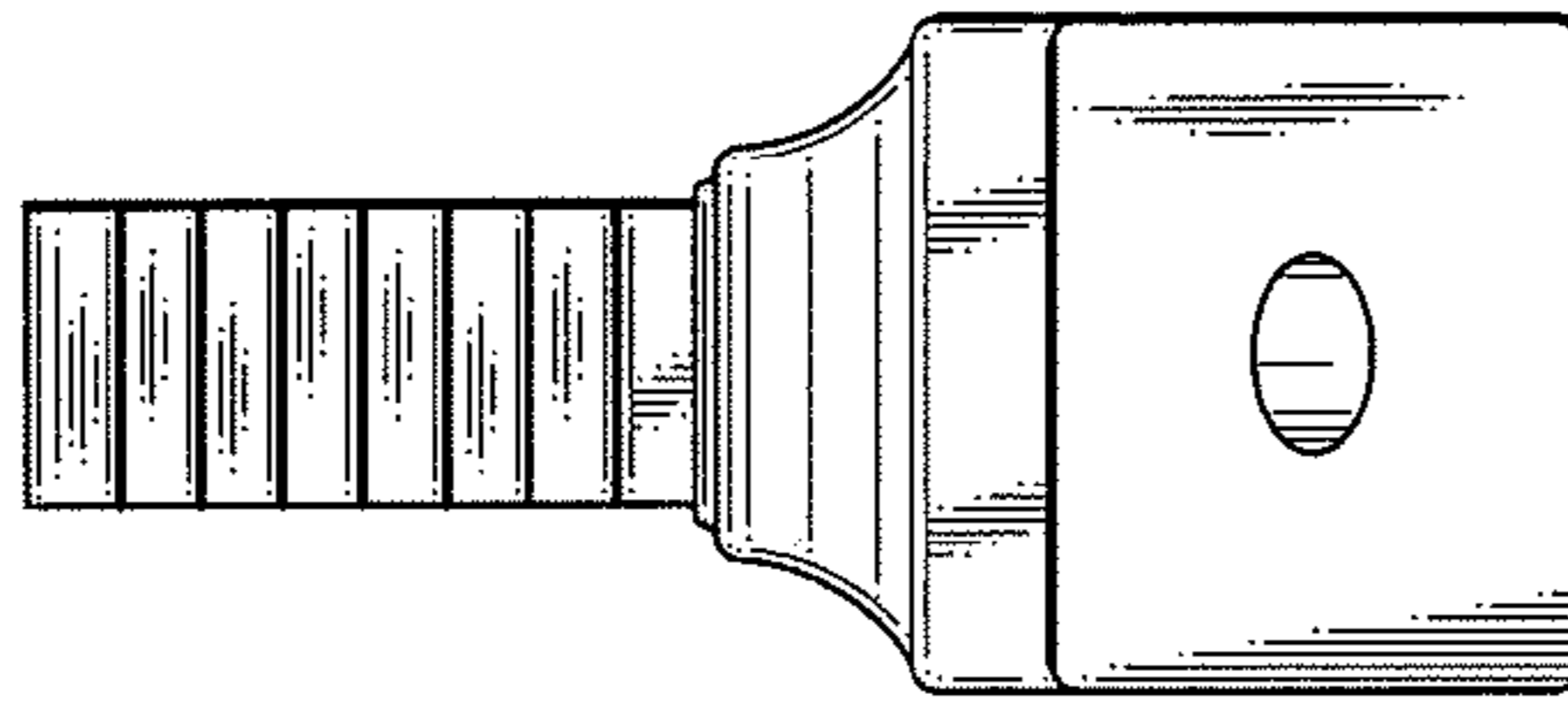


FIG.5

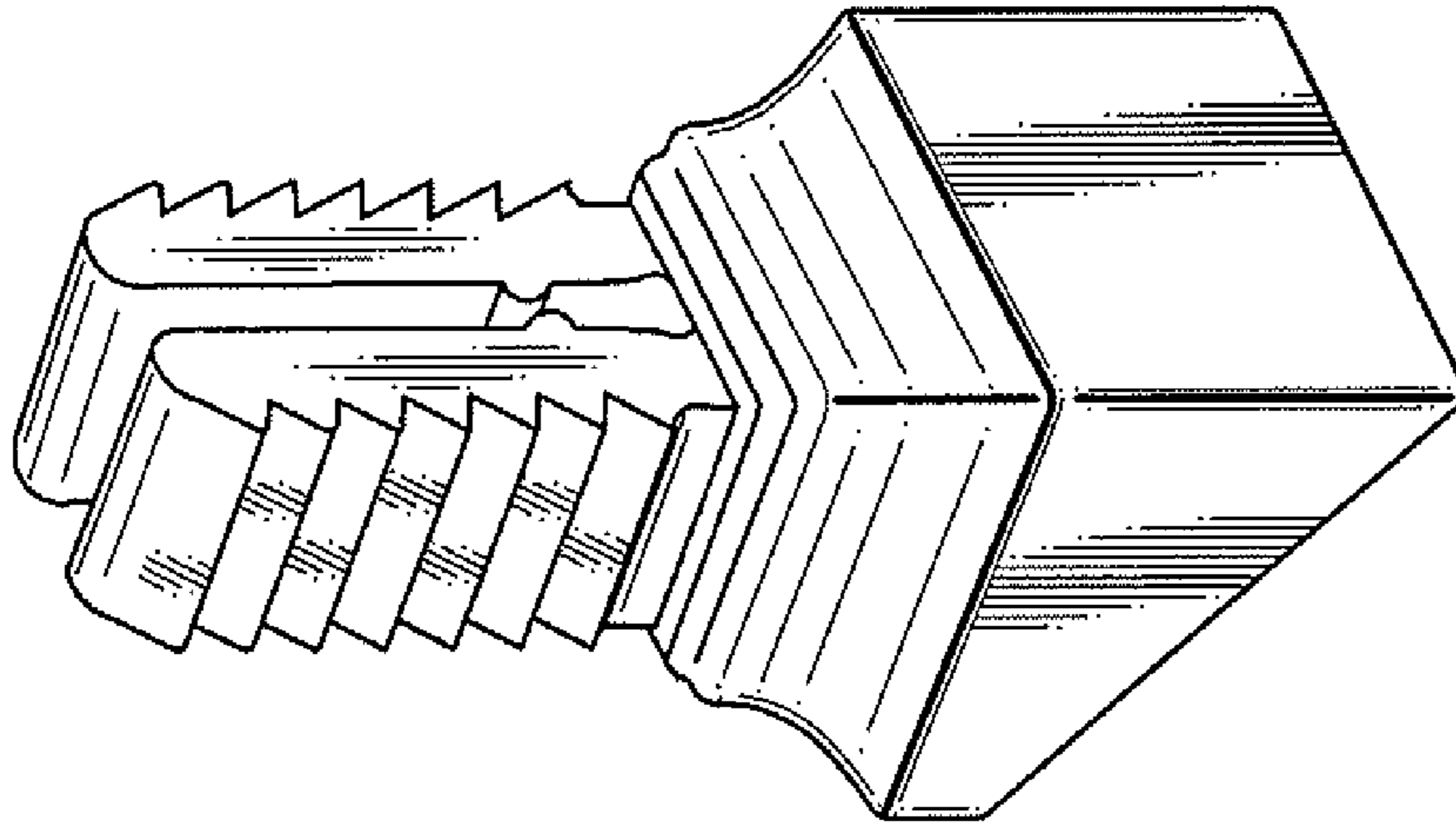


FIG. 8

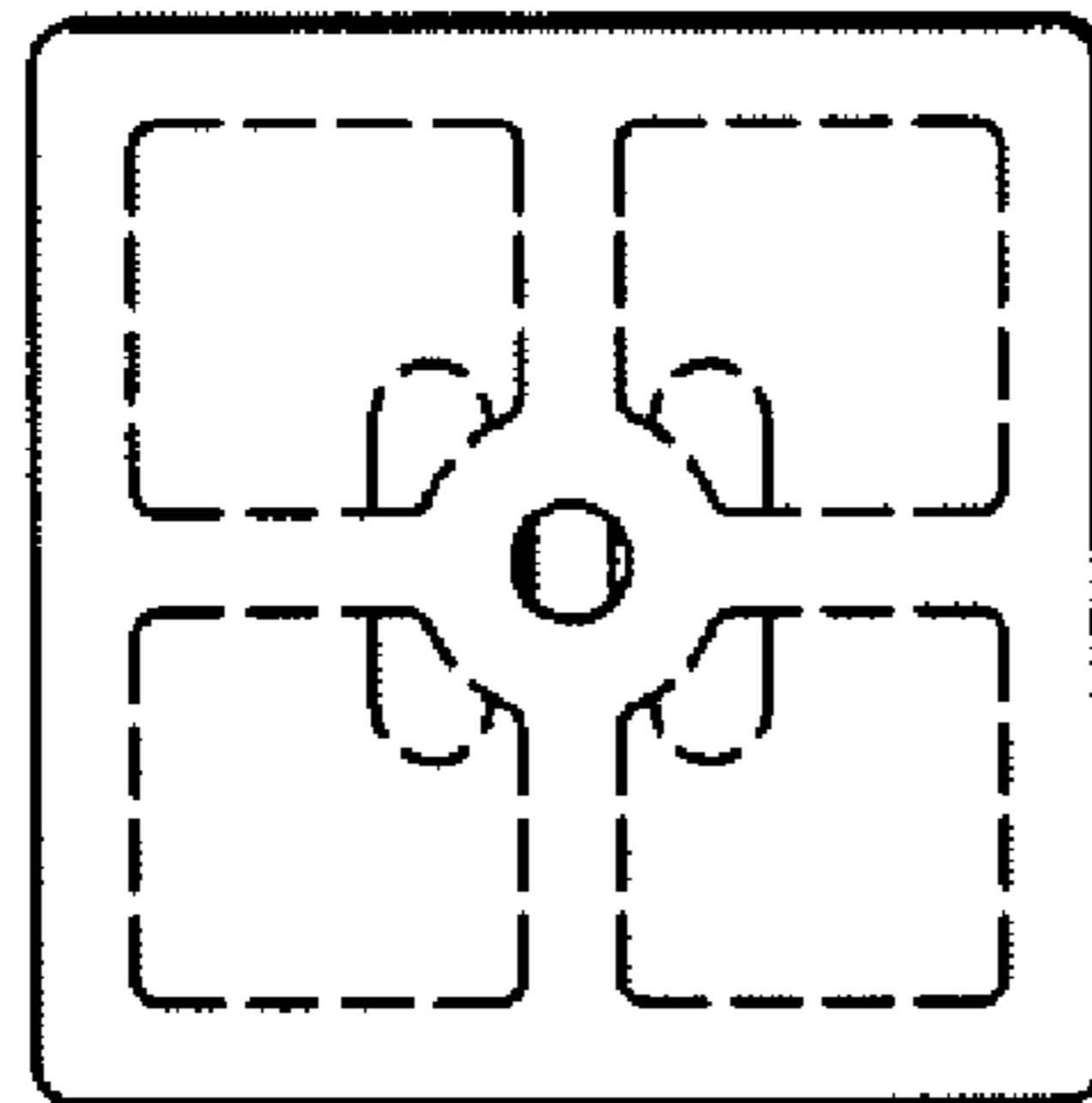


FIG. 7

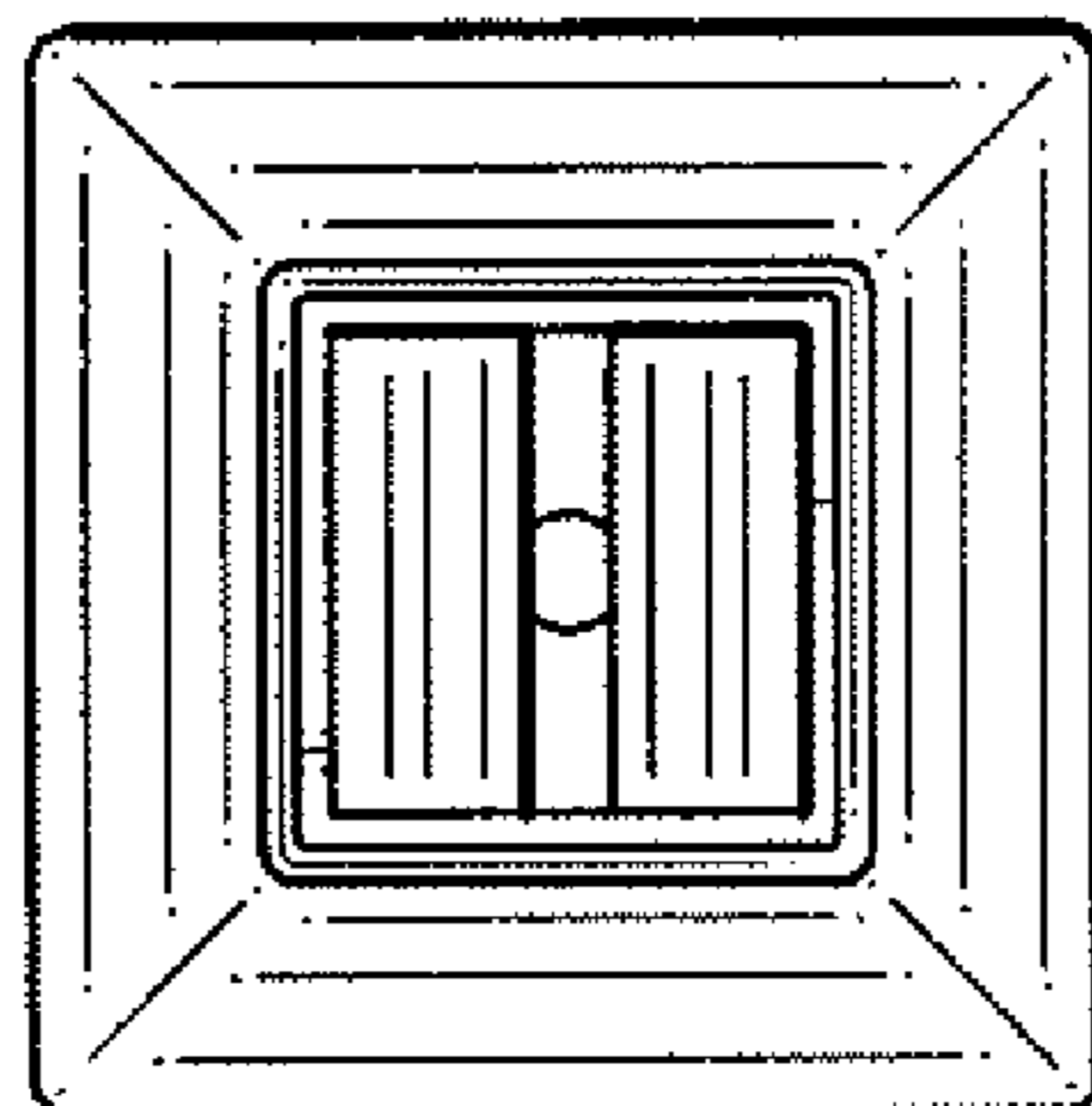


FIG. 6