



US00D544103S

(12) **United States Design Patent** (10) **Patent No.:** **US D544,103 S**  
**Meziere** (45) **Date of Patent:** **\*\* Jun. 5, 2007**

(54) **BLOOD OR PLASMA TREATMENT APPARATUS**

6,994,781 B2 \* 2/2006 Cork et al. .... 210/96.1

**FOREIGN PATENT DOCUMENTS**

(75) Inventor: **Cyril Meziere**, Bron (FR)  
(73) Assignee: **Gambro Lundia AB**, Lund (SE)  
(\*\*) Term: **14 Years**

EM 000323522-0001 6/2005  
EM 000015870-0001 10/2005  
WO DM/030677 9/1994  
WO DM/051905 5/2000

**OTHER PUBLICATIONS**

(21) Appl. No.: **29/246,419**  
(22) Filed: **Apr. 10, 2006**

Althin, "DrakeWillock System 1000," Aug. 1996.  
Althin, "Tina—Your New Co-Worker."  
Baxter, "Baxter HD Arena. Friendly by Design," 2004.  
BBraun, "Dialog Hemodialysis System," Mar. 2003.  
BBraun, "Dialog+ Hemodialysis System," 2004.  
Cordis Dow Corp, "Seratron Dialysis Control System," Oct. 1979.  
Fresenius, "Fresenius Computer Modeling System 08, CMS 08," (Machine in use prior Nov. 21, 1999).  
Fresenius, "Haemodialysis Machines: 4008 H/S," Mar. 2005.  
Fresenius, "Haemodialysis: 5008 Therapy System."  
Gambro, "AK 95 Simplicity," Jun. 2000 (Machine in use prior Nov. 21, 1999).  
Gambro, "AK 200 Reliability," Jun. 2000.  
Gambro, "AK 200 Ultra Pioneering," Jun. 2000.

(30) **Foreign Application Priority Data**

Oct. 10, 2005 (EM) ..... 000412630

(51) **LOC (8) Cl.** ..... **24-01**  
(52) **U.S. Cl.** ..... **D24/216**  
(58) **Field of Classification Search** ..... D24/107,  
D24/169, 183-187, 216-234; D34/19; 210/96.1,  
210/321.65, 321.71, 232, 645-646; 600/475-476;  
604/4.01, 29, 34, 66, 83

See application file for complete search history.

(Continued)

(56) **References Cited**

**U.S. PATENT DOCUMENTS**

D352,106 S \* 11/1994 Fanney et al. .... D24/185  
5,641,144 A 6/1997 Hendrickson et al.  
5,679,245 A 10/1997 Manica  
D389,916 S \* 1/1998 DiPerna et al. .... D24/169  
5,762,805 A 6/1998 Truitt et al.  
5,776,345 A 7/1998 Truitt et al.  
D406,893 S \* 3/1999 Menhennett et al. .... D24/169  
D406,894 S \* 3/1999 Menhennett et al. .... D24/169  
5,910,252 A 6/1999 Truitt et al.  
6,036,858 A \* 3/2000 Carlsson et al. .... 210/232  
6,143,181 A \* 11/2000 Falkvall et al. .... 210/646  
D438,952 S \* 3/2001 Cimino et al. .... D24/107  
D446,860 S 8/2001 Meziere et al.  
D446,861 S 8/2001 Meziere et al.  
D486,915 S \* 2/2004 Warschewske et al. .... D24/185  
D497,462 S \* 10/2004 Ryan ..... D34/19  
D503,981 S \* 4/2005 Fischer et al. .... D24/185  
6,899,691 B2 \* 5/2005 Bainbridge et al. .... 604/4.01  
D512,508 S \* 12/2005 Mesaros ..... D24/185

*Primary Examiner*—Louis Zarfaz  
*Assistant Examiner*—Mark Cavanna  
(74) *Attorney, Agent, or Firm*—Laura B. Arciniegas; Edna M. O'Connor; John R. Merkling

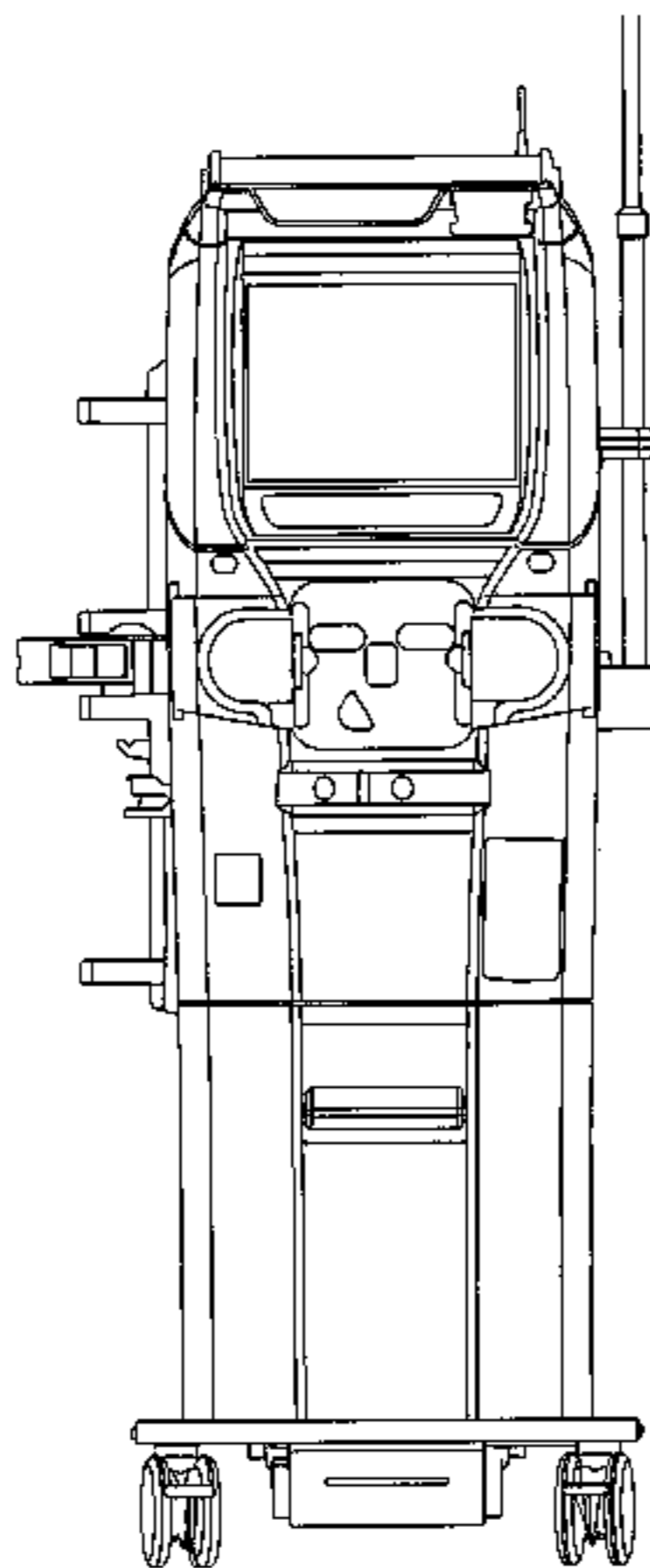
(57) **CLAIM**

The ornamental design for a blood or plasma treatment apparatus, substantially as shown and described.

**DESCRIPTION**

FIG. 1 is a front view of a blood or plasma treatment apparatus showing my new design;  
FIG. 2 is a left side view thereof;  
FIG. 3 is a right side view thereof;  
FIG. 4 is a rear view thereof; and,  
FIG. 5 is a top view thereof.

**1 Claim, 5 Drawing Sheets**



front view

OTHER PUBLICATIONS

Gambro Renal Products, "Centrysystem 3 +plus Dialysis Delivery Systems," 2000.

Gambro Renal Care Products, "COBE Centrysystem 3 Dialysis Control Unit: Operator's Manual," Section 1, pp. 1-1—1-63, May 1999.

Gambro, "CRRT Flexibility Leads to Optimized Treatments," 2005.

Gambro, "Leading the Way with the Prisma System," 2003.

Gambro, "The Phoenix Dialysis System," Oct. 2004.

Gambro, "The Phoenix Dialysis System and the Diascan Monitor," Dec. 2004.

Gambro, "PrismafleX: Anticipating Critical Care Needs," 2004.

Hospal, "Integra: The Hospal Vision Of The Future in Dialysis Monitoring," Oct. 1999.

Hospal, "Integra Alpha: The Hospal Vision Of The Future In Dialysis Monitoring," Mar. 1997.

Hospal, "Quantiscan: Automated Partial Dialysate Collection For Direct Dialysis Quantification," Oct. 1999.

NHS Procurement Directorate, Evaluation No. 32, "Haemodialysis Equipment: Fresenius CMS 08," Sep. 1990.

Nikkiso, "NIKKISO Hemodialysis System," 2006.

\* cited by examiner

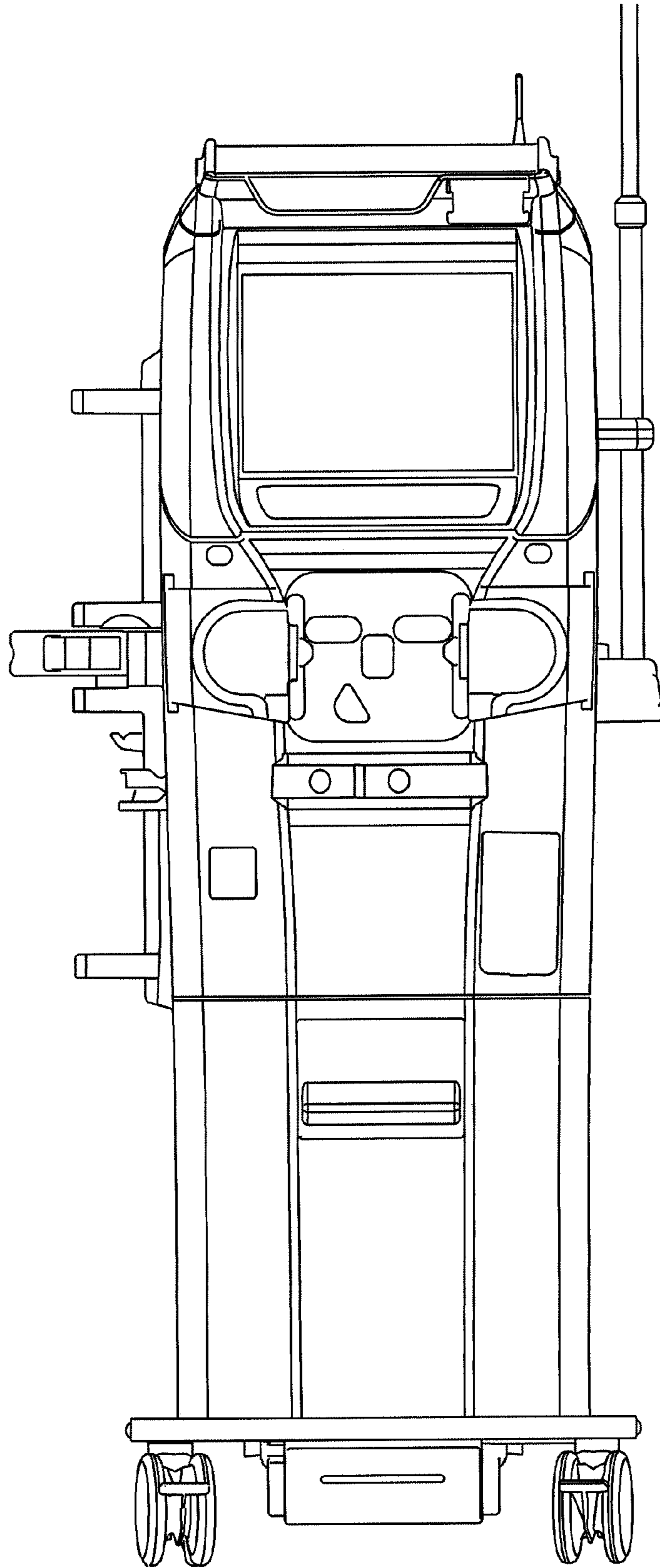


Figure 1 front view

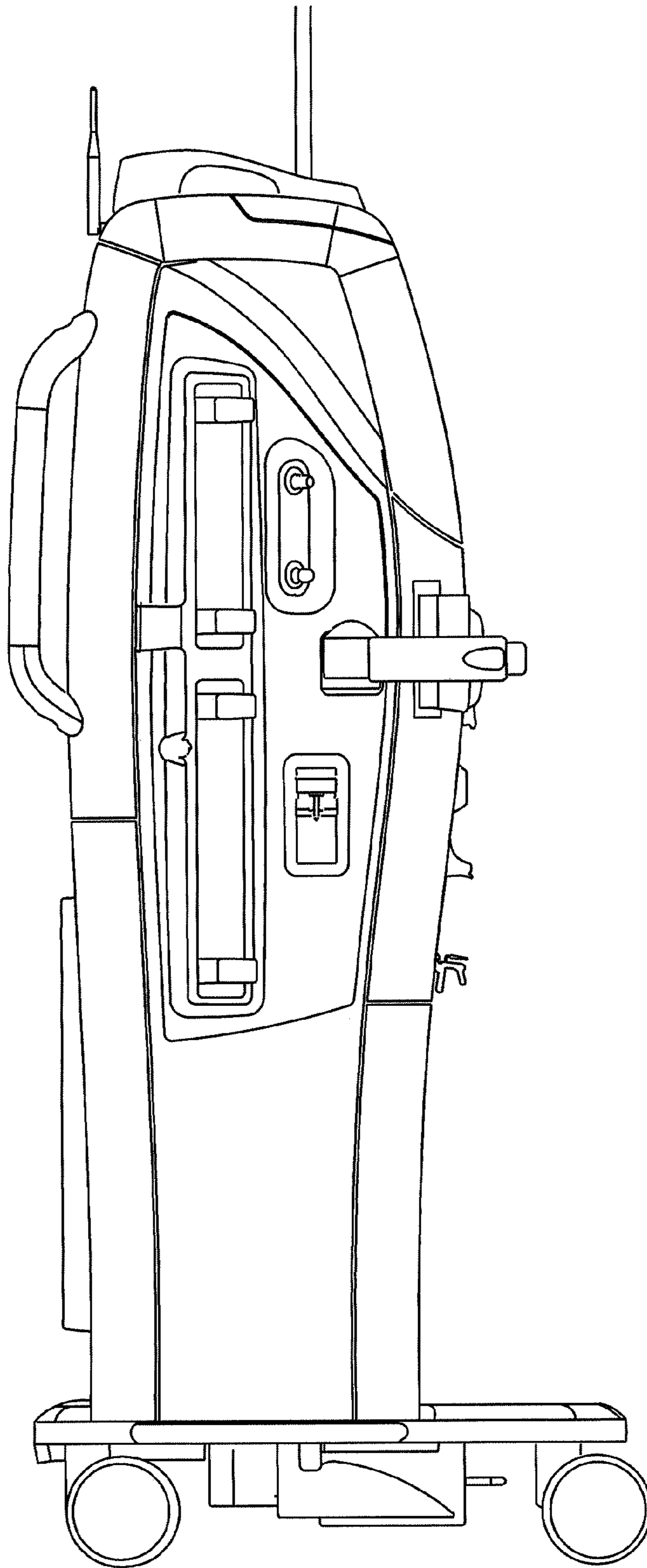


Figure 2 Left Side View

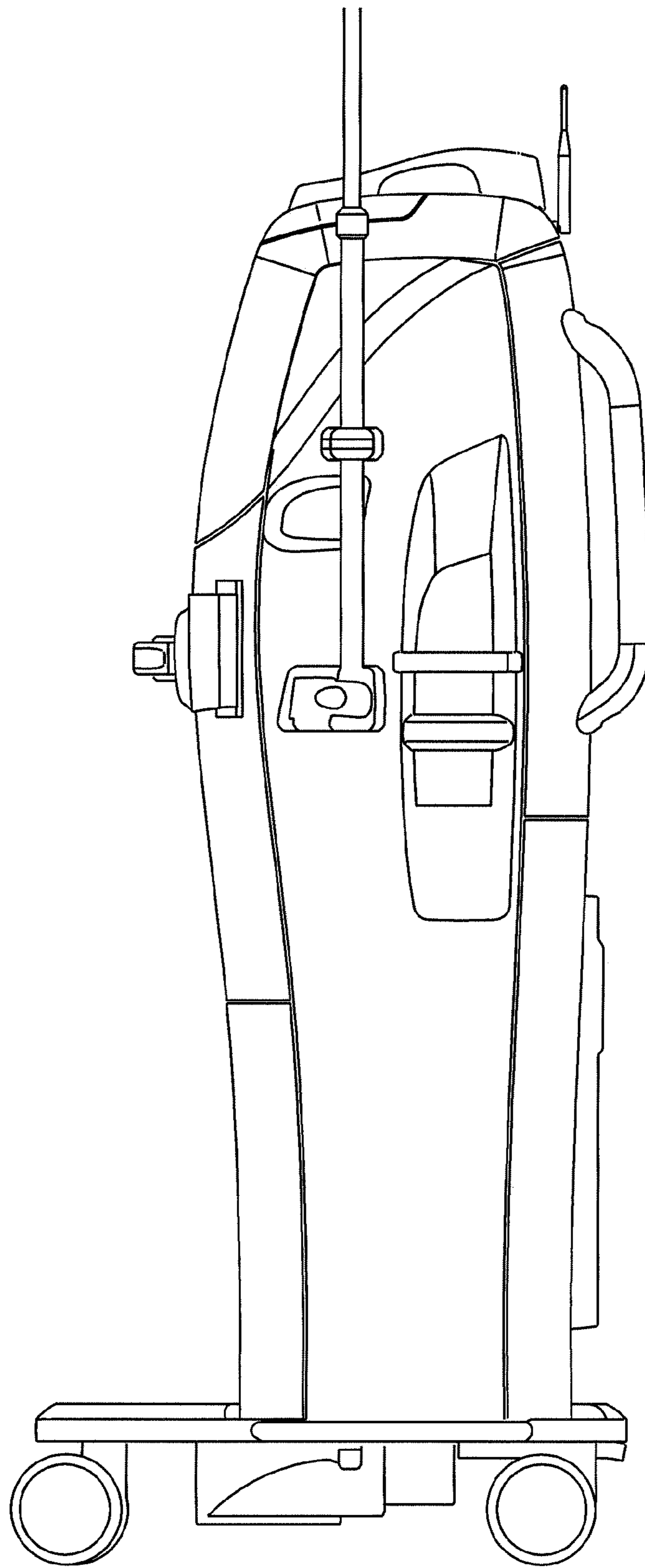


Figure 3 Side View right

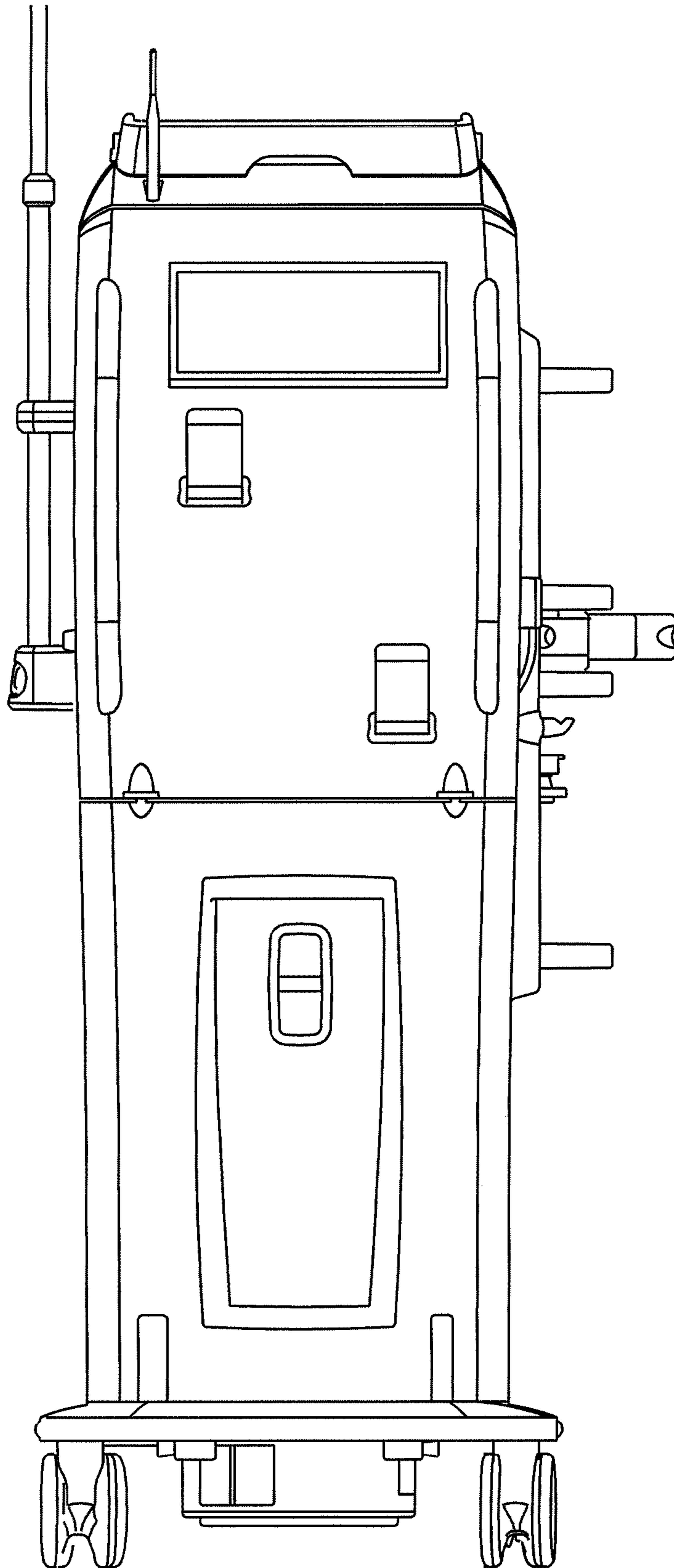


Figure 4 Back View

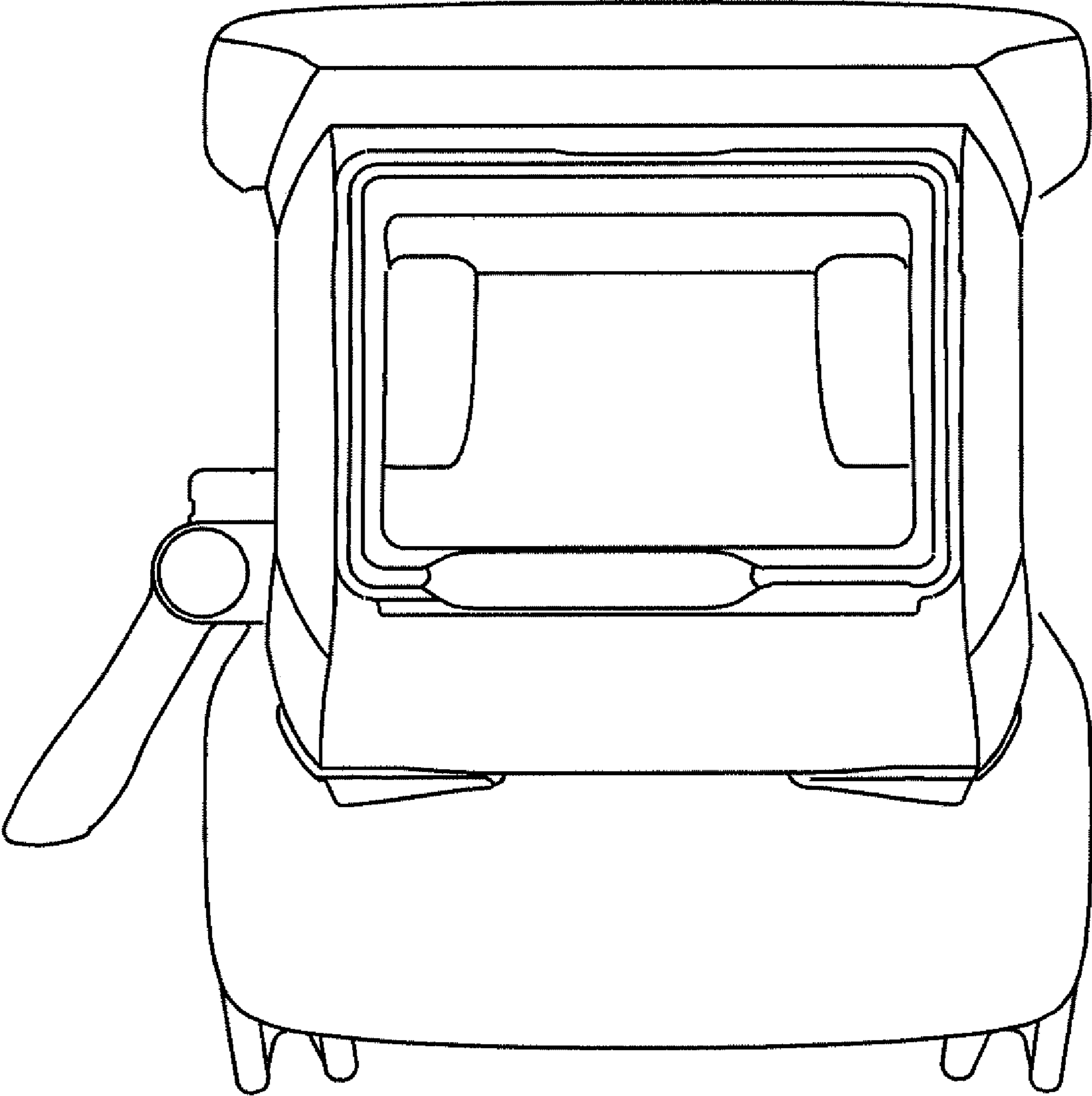


Figure 5 Top View