

US00D544099S

(12) **United States Design Patent**
Umeda et al.

(10) **Patent No.:** **US D544,099 S**
(45) **Date of Patent:** **** Jun. 5, 2007**

(54) **ELECTROCARDIOGRAPH**

JP D1164001 11/2002

(75) Inventors: **Masahiro Umeda**, Kyoto (JP);
Norihito Yamamoto, Shiga (JP);
Tadashi Koike, Kyoto (JP); **So**
Noguchi, Osaka (JP)

* cited by examiner

Primary Examiner—Louis S. Zarfaz
Assistant Examiner—Anhdao Doan
(74) *Attorney, Agent, or Firm*—Dickstein Shapiro LLP

(73) Assignee: **Omron Healthcare Co., Ltd.**, Kyoto
(JP)

(57) **CLAIM**

(**) Term: **14 Years**

The ornamental design for electrocardiograph, as shown and described.

(21) Appl. No.: **29/211,851**

DESCRIPTION

(22) Filed: **Aug. 24, 2004**

(30) **Foreign Application Priority Data**

Feb. 27, 2004 (JP) D2004-005954
Feb. 27, 2004 (JP) D2004-005955
Feb. 27, 2004 (JP) D2004-005956

FIG. 1 is a perspective view illustrating a first embodiment of our new design for an electrocardiograph;

FIG. 2 is a front elevational view of the electrocardiograph of FIG. 1;

FIG. 3 is a rear elevational view of the electrocardiograph of FIG. 1;

(51) **LOC (8) Cl.** **24-02**

(52) **U.S. Cl.** **D24/167**

(58) **Field of Classification Search** D24/167;
600/523, 508, 509, 513, 515, 528
See application file for complete search history.

FIG. 4 is a top plan view of the electrocardiograph of FIG. 1;

FIG. 5 is a bottom plan view of the electrocardiograph of FIG. 1;

FIG. 6 is a right side elevational view of the electrocardiograph of FIG. 1;

(56) **References Cited**

U.S. PATENT DOCUMENTS

5,002,062 A * 3/1991 Suzuki 600/509
D326,521 S * 5/1992 Sawada D24/167
D414,870 S * 10/1999 Saltzstein et al. D24/186
D470,590 S * 2/2003 Maeda et al. D24/167

FIG. 7 is a left side elevational view of the electrocardiograph of FIG. 1;

FIG. 8 is a bottom perspective view of the electrocardiograph of FIG. 1; and,

FIG. 9 is a perspective view of the electrocardiograph of FIG. 1 showing the connector covers removed.

FOREIGN PATENT DOCUMENTS

JP D1161602 11/2002

1 Claim, 7 Drawing Sheets

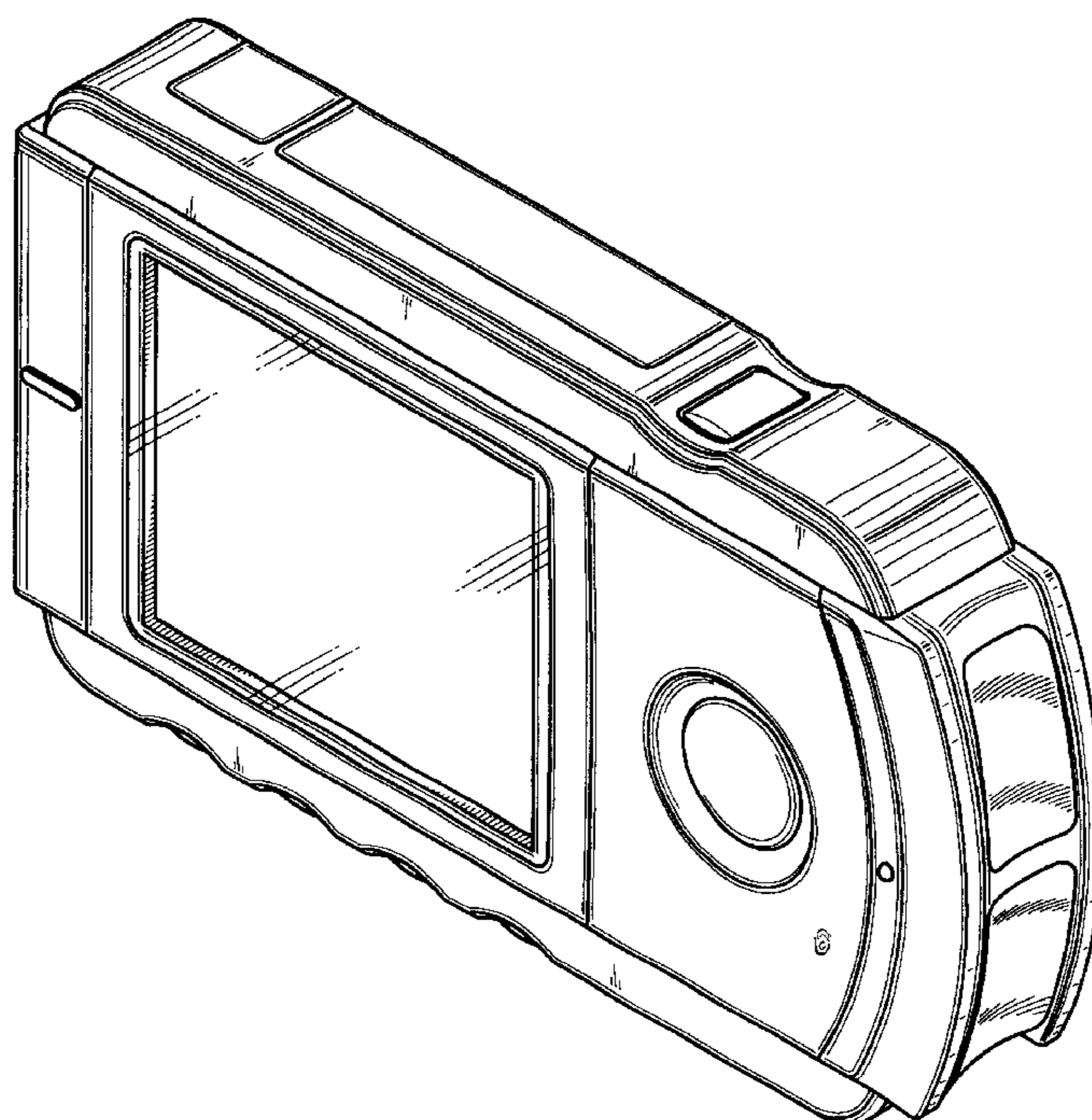


Fig. 1

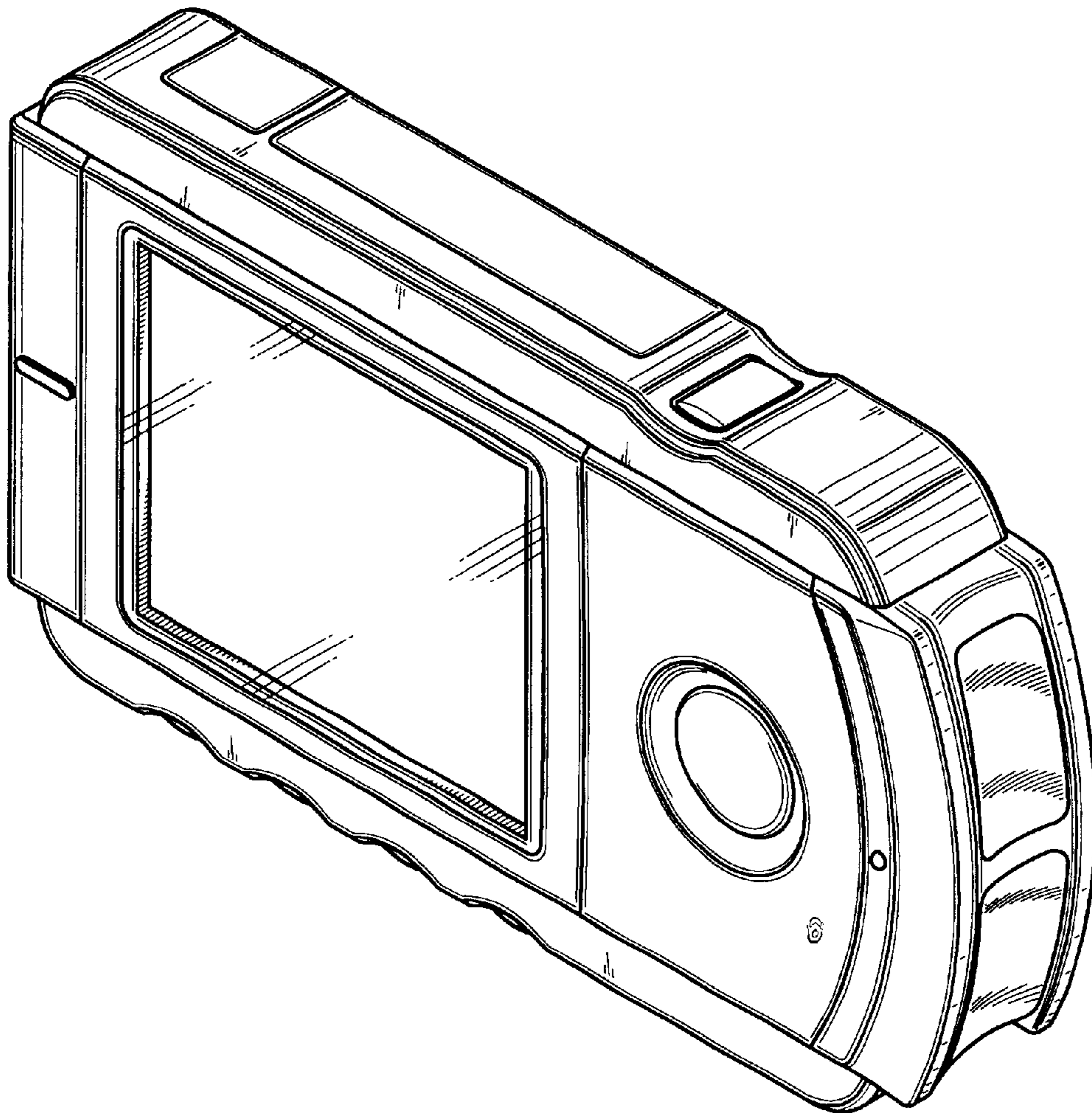


Fig. 2

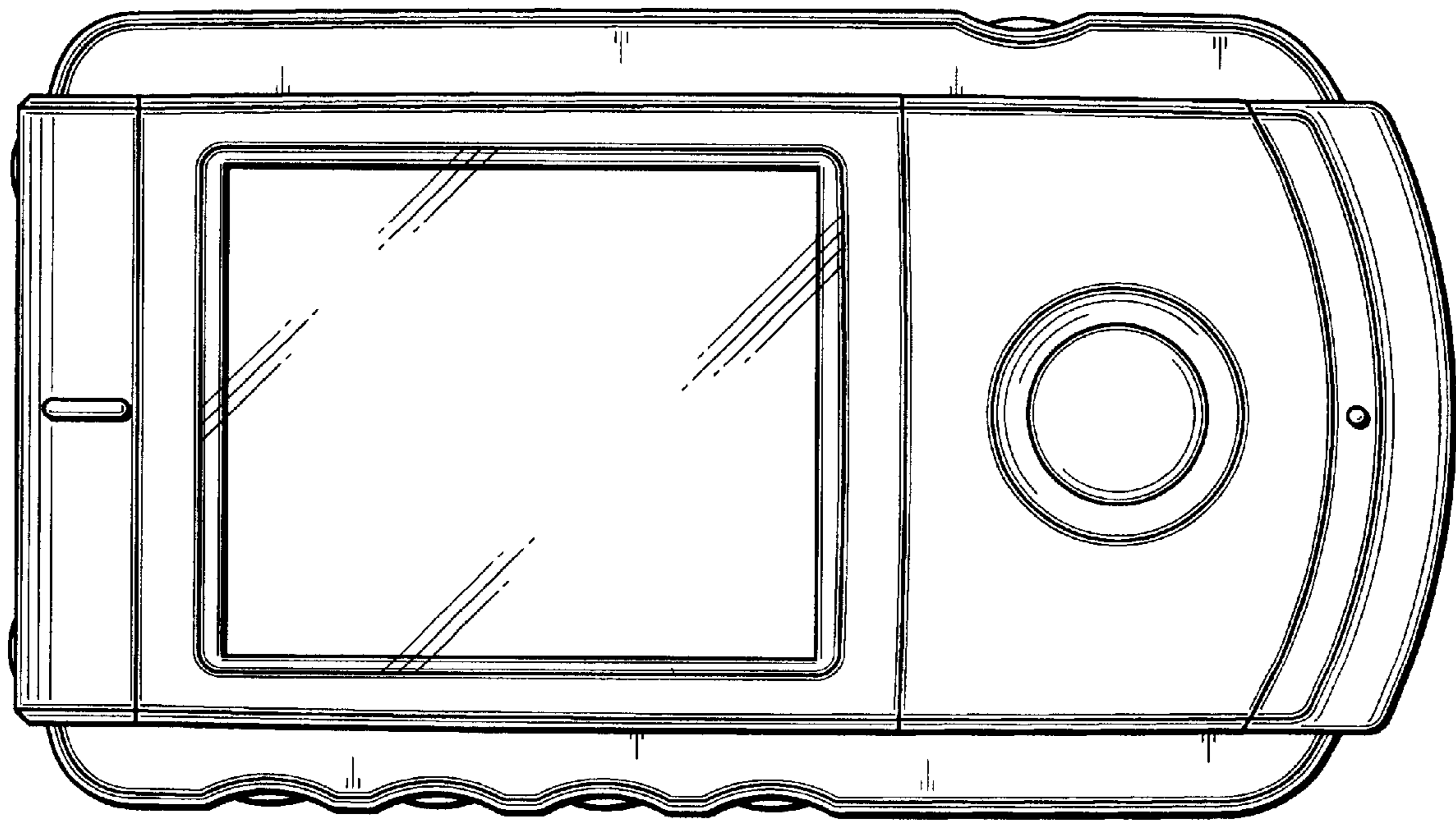


Fig. 3

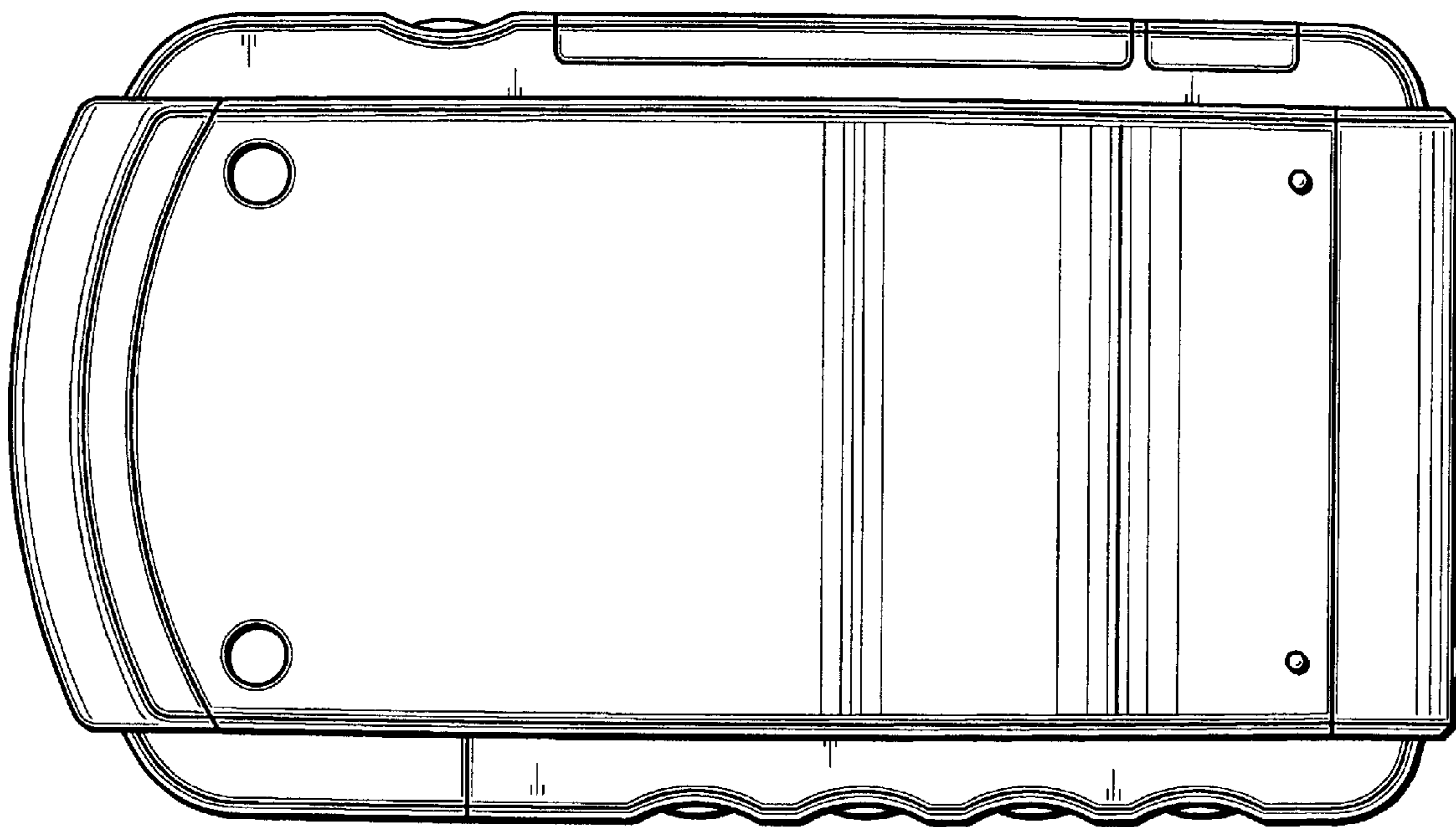


Fig. 4

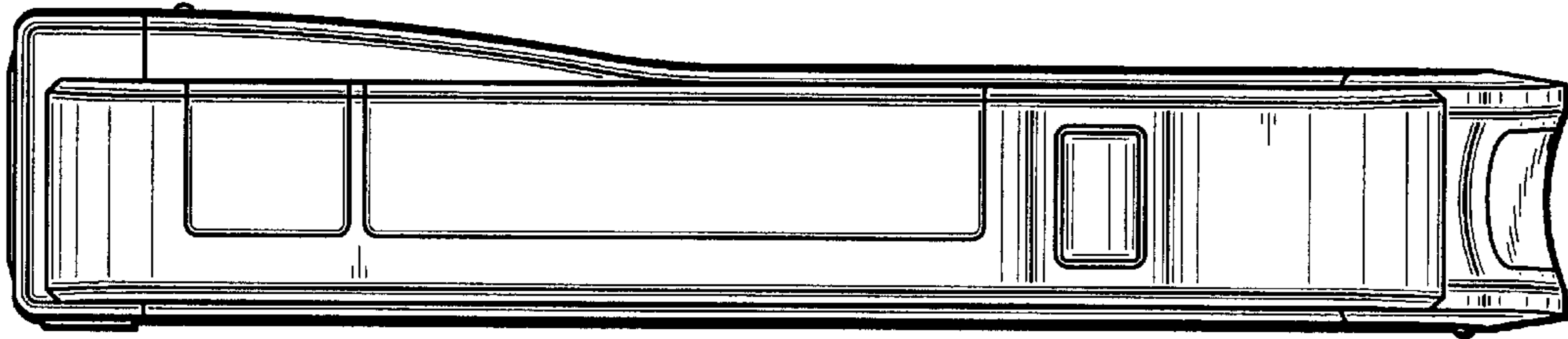


Fig. 5

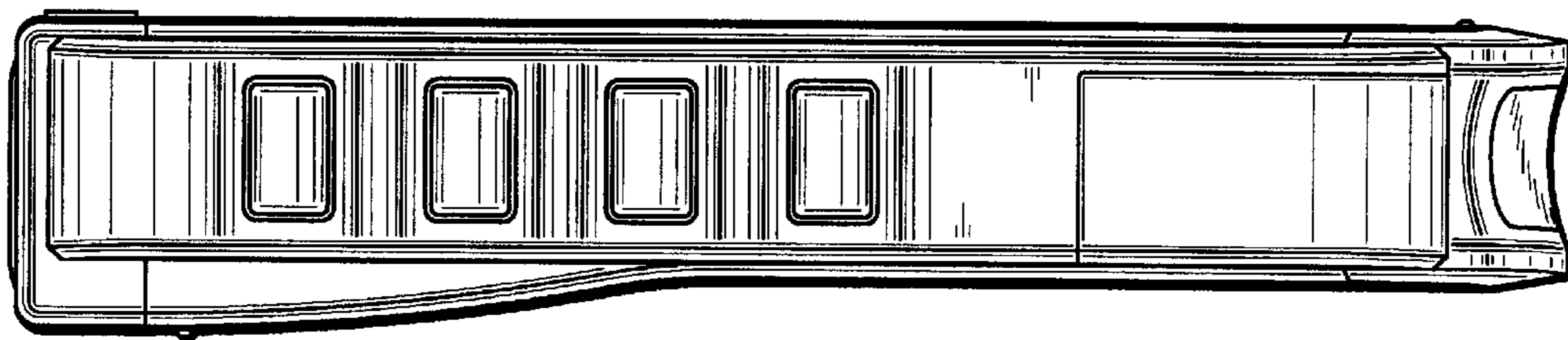


Fig. 6

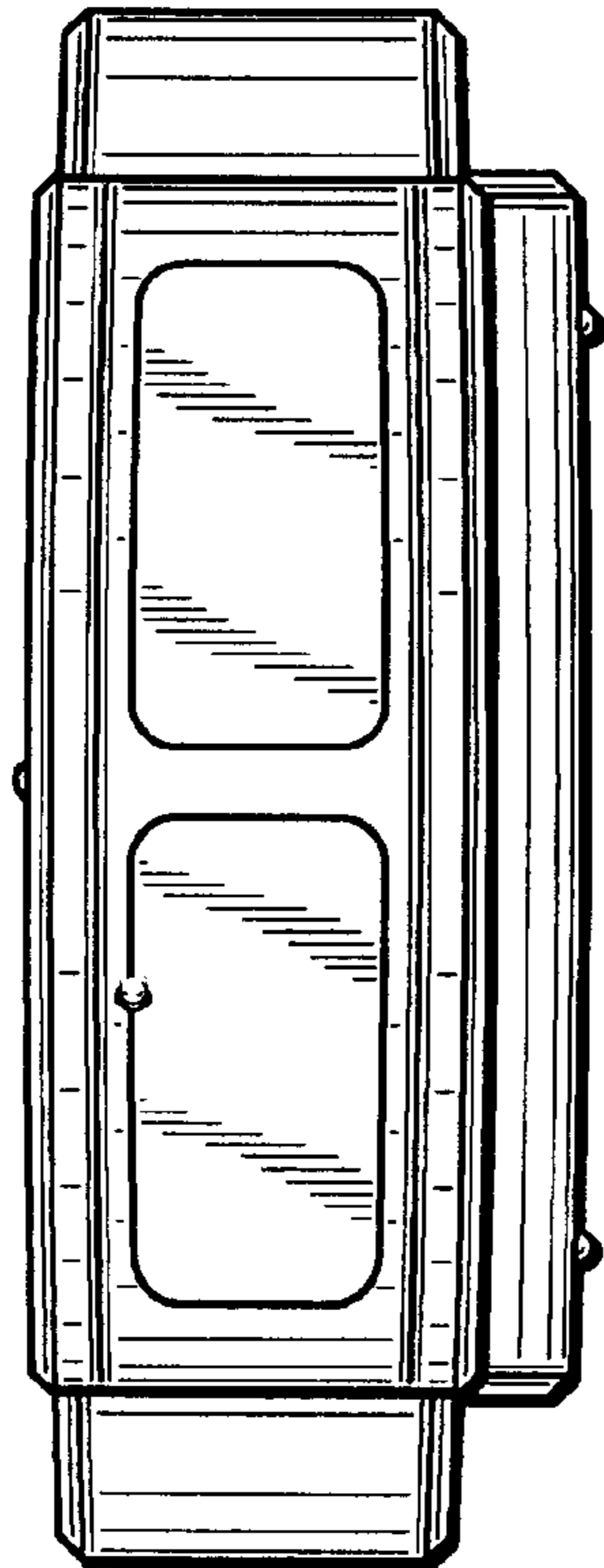


Fig. 7

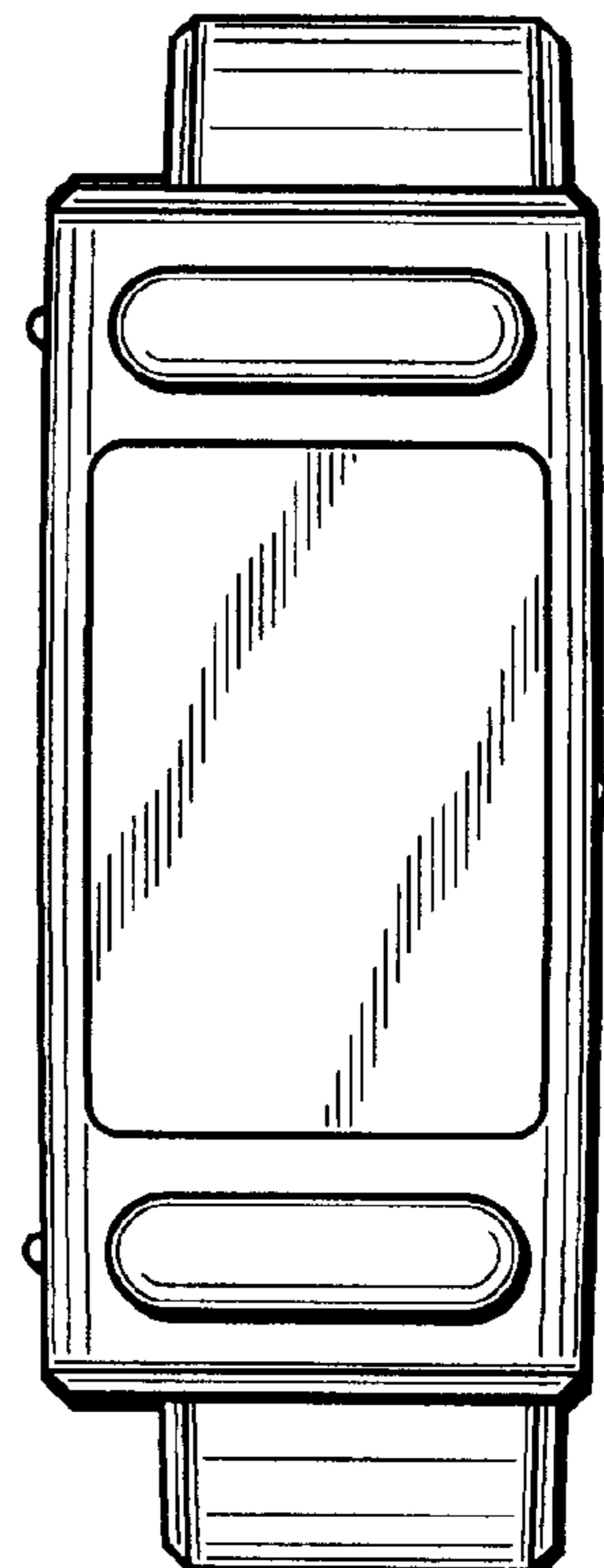


Fig. 8

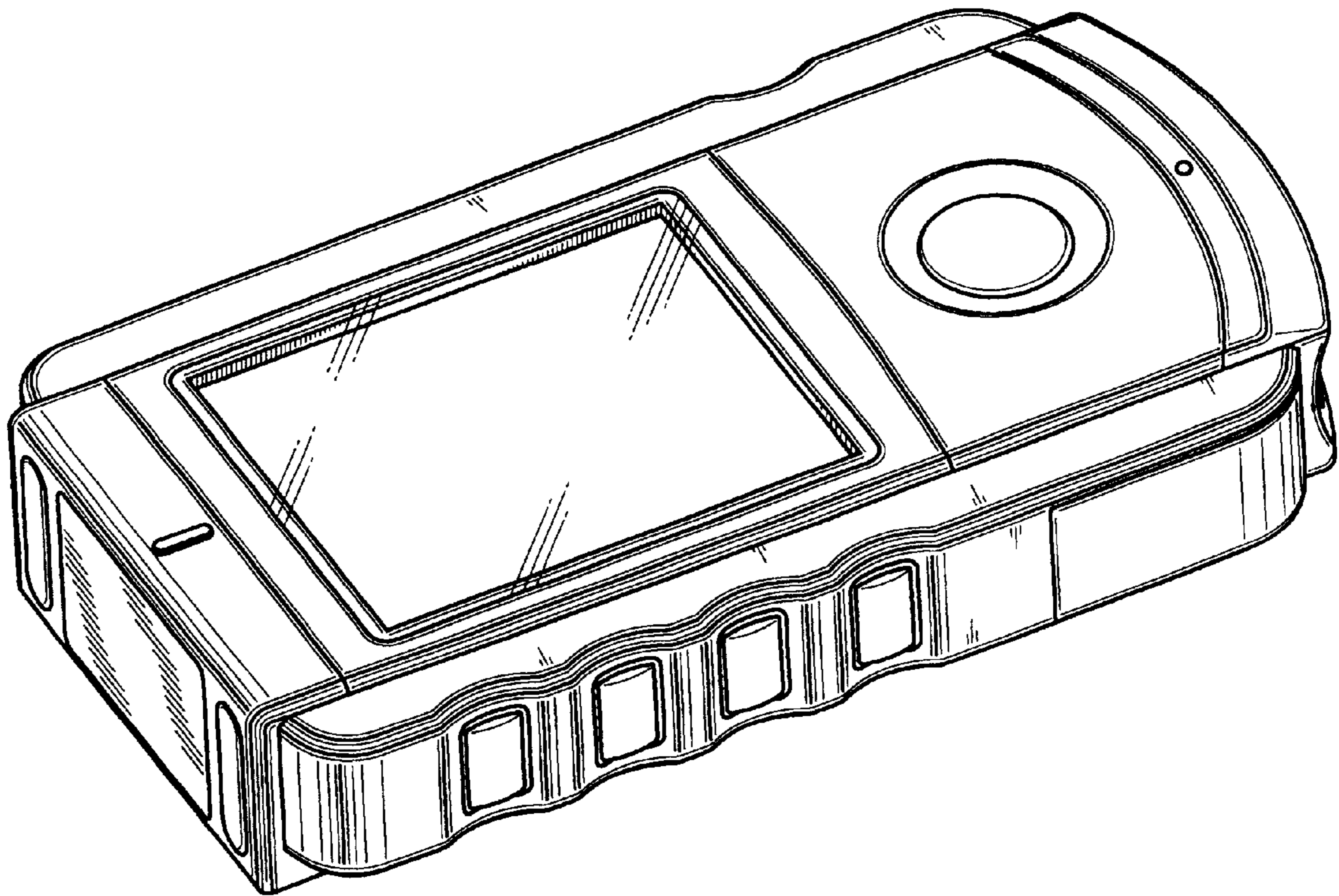


Fig. 9

