

US00D544098S

(12) **United States Design Patent** (10) **Patent No.:** **US D544,098 S**  
**Martynus et al.** (45) **Date of Patent:** **\*\* Jun. 5, 2007**

(54) **DIAPER**

(75) Inventors: **Cornelia Beate Martynus**, Nidderau (DE); **Gemma Baquer-Molas**, Schwalbach (DE); **Agustin Ramos Blanco**, Oberursel (DE); **Ekaterina Anatolyevna Ponomarenko**, Bad Soden (DE)

(73) Assignee: **The Procter & Gamble Co.**, Cincinnati, OH (US)

(\*\*) Term: **14 Years**

(21) Appl. No.: **29/257,741**

(22) Filed: **Apr. 10, 2006**

(30) **Foreign Application Priority Data**

Oct. 10, 2005 (EM) ..... 000412499

(51) **LOC (8) Cl.** ..... **24-04**

(52) **U.S. Cl.** ..... **D24/126**

(58) **Field of Classification Search** ..... D24/124-126; 604/358-361, 367, 370, 378-380, 384-385.02  
 See application file for complete search history.

(56) **References Cited**

**U.S. PATENT DOCUMENTS**

4,662,877	A	5/1987	Williams	
4,681,577	A	7/1987	Stern et al.	
4,990,147	A	2/1991	Freeland	
5,062,840	A	11/1991	Holt et al.	
5,342,338	A	8/1994	Roe	
5,941,864	A	8/1999	Roe	
5,957,907	A	9/1999	Sauer	
5,989,478	A	11/1999	Ouellette et al.	
D443,690	S *	6/2001	Popp et al.	D24/126
6,258,076	B1 *	7/2001	Glaug et al.	604/387
D452,315	S *	12/2001	Coates	D24/126
D489,451	S *	5/2004	Glaug et al.	D24/126
D489,821	S *	5/2004	Glaug et al.	D24/126
D500,131	S *	12/2004	Choice	D24/125
2002/0087136	A1	7/2002	Widlund	

2003/0158532	A1	8/2003	Magee et al.
2004/0092900	A1	5/2004	Hoffman et al.
2004/0092902	A1	5/2004	Hoffman et al.
2004/0162538	A1	8/2004	Mueller et al.

**FOREIGN PATENT DOCUMENTS**

EP	0 934 736	A1	8/1999
EP	0 953 323	A	11/1999
EP	1 057 464	A2	12/2000
EP	1 184 020	A2	3/2002
EP	1 190 690	A2	3/2002
EP	1 201 212	A	5/2002
WO	WO 93/01780	A1	2/1993
WO	WO 99/02395		2/1996
WO	WO 99/02393		1/1999
WO	WO 99/56680	A1	11/1999
WO	WO 99/62446	A1	12/1999
WO	WO 00/01334	A1	1/2000

**OTHER PUBLICATIONS**

Copending U.S. Appl. No. 10/703,233, filed Nov. 7, 2003.  
 Copending U.S. Appl. No. 10/703,239, filed Nov. 7, 2003.

\* cited by examiner

*Primary Examiner*—Louis S. Zarfaz  
*Assistant Examiner*—Michelle Wilson  
 (74) *Attorney, Agent, or Firm*—Thibault Fayette; Matthew P. Fitzpatric; Ken K. Patel

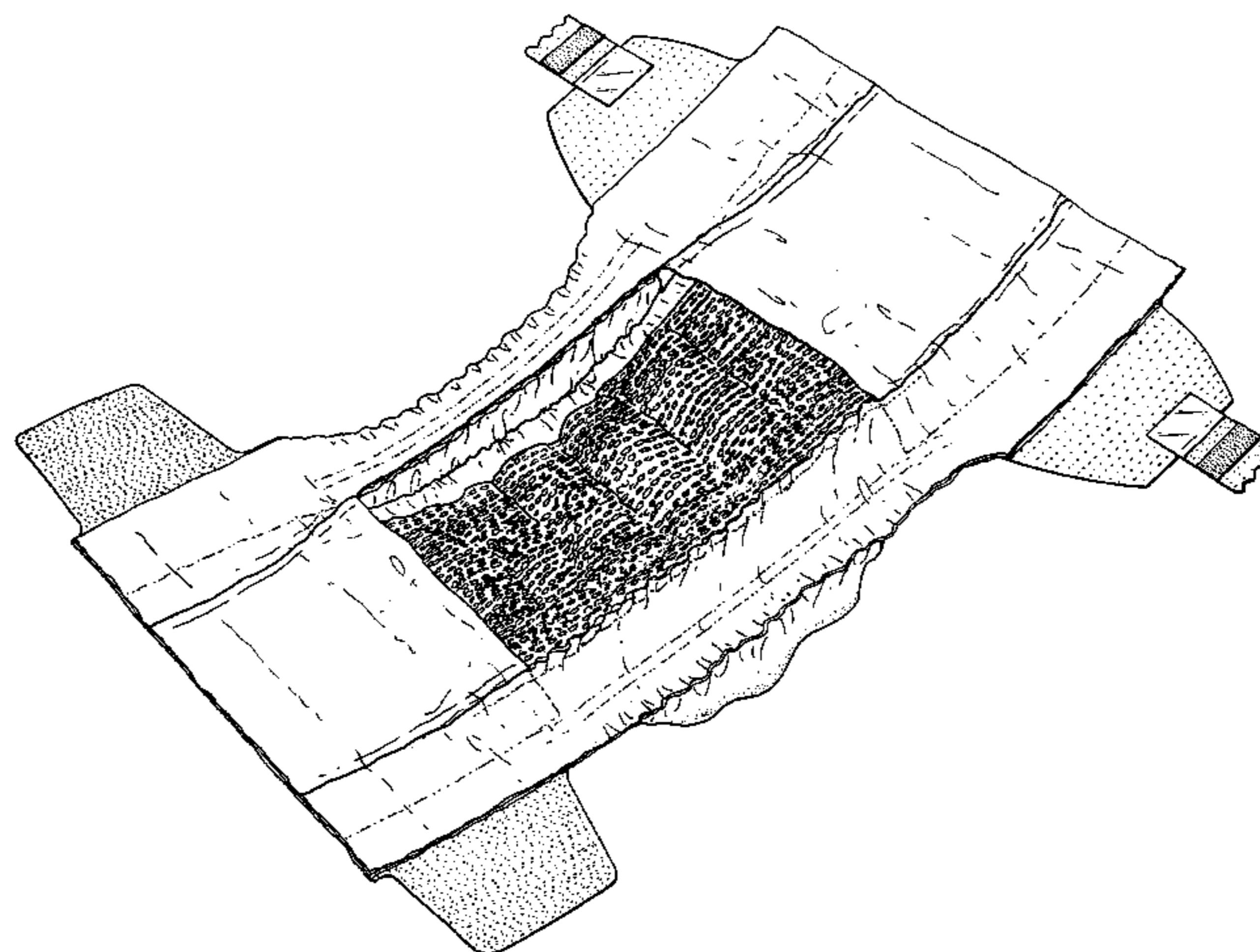
(57) **CLAIM**

The ornamental design for a diaper, as shown and described.

**DESCRIPTION**

FIG. 1 is a perspective view of a diaper, embodying the new design;  
 FIG. 2 is a top view of thereof;  
 FIG. 3 is a bottom view thereof;  
 FIG. 4 is a right view thereof;  
 FIG. 5 is a left view thereof;  
 FIG. 6 is a front side view thereof; and,  
 FIG. 7 is a back side view thereof.

**1 Claim, 5 Drawing Sheets**



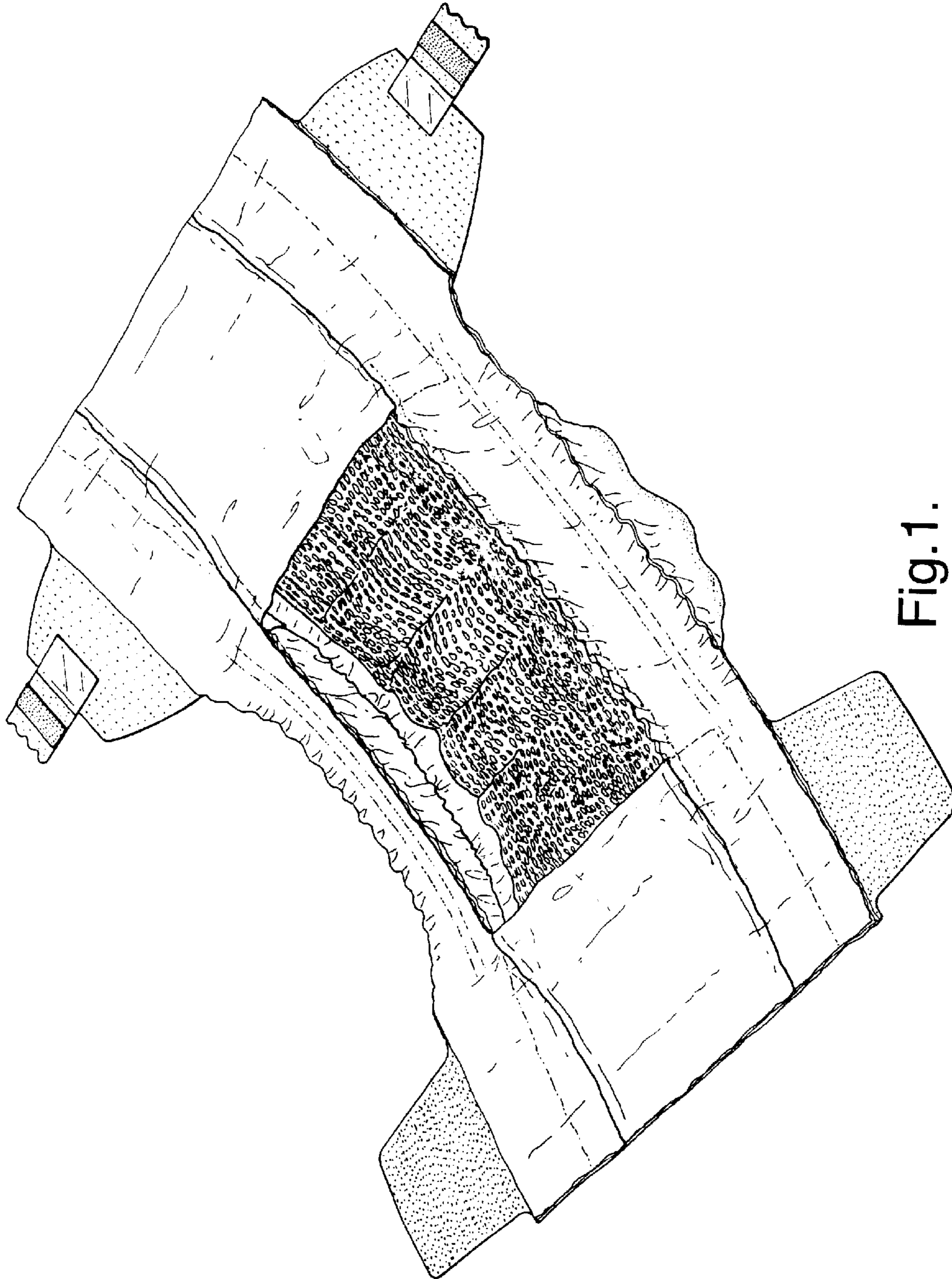


Fig.1.

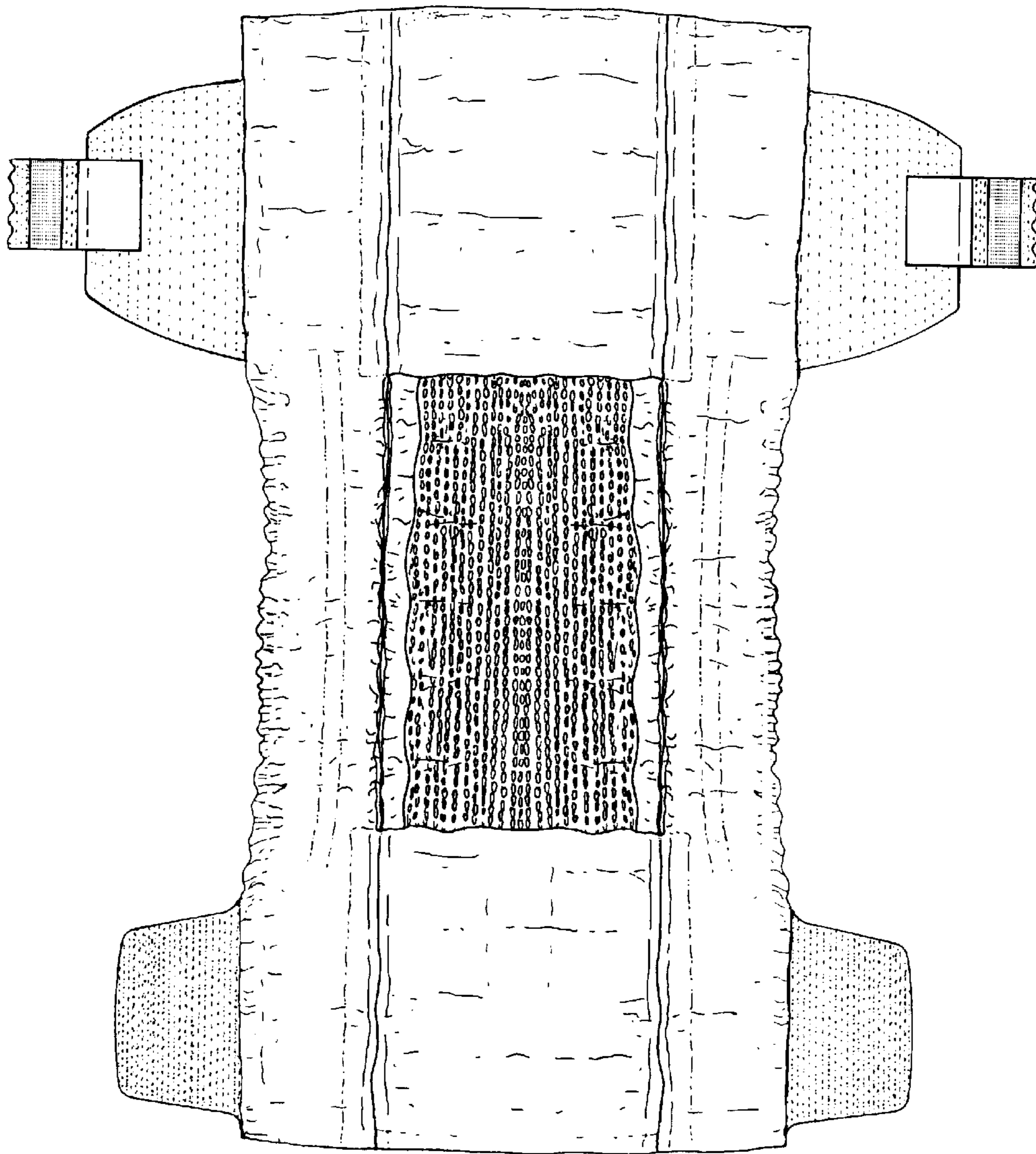


Fig.2.

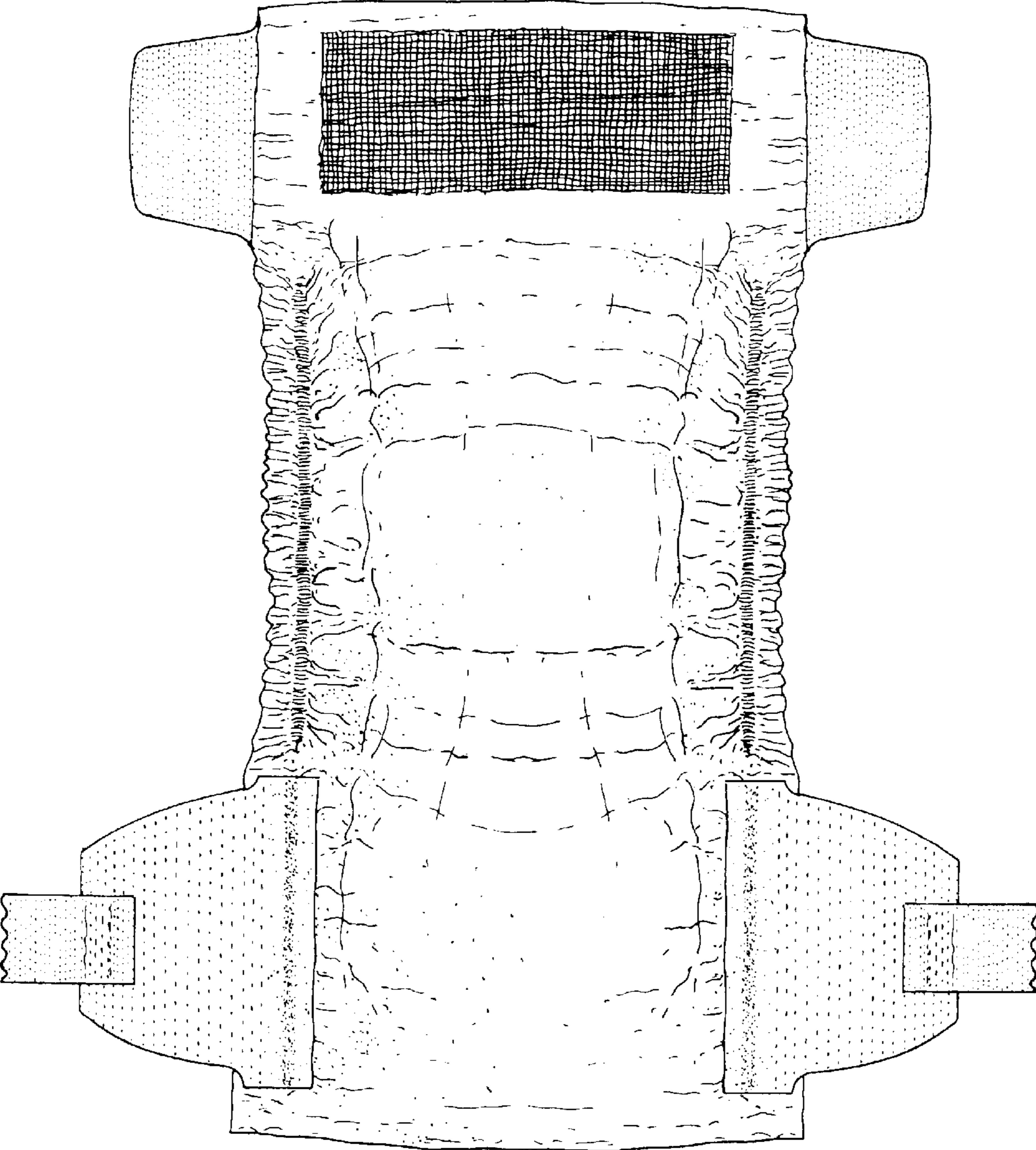


Fig.3.

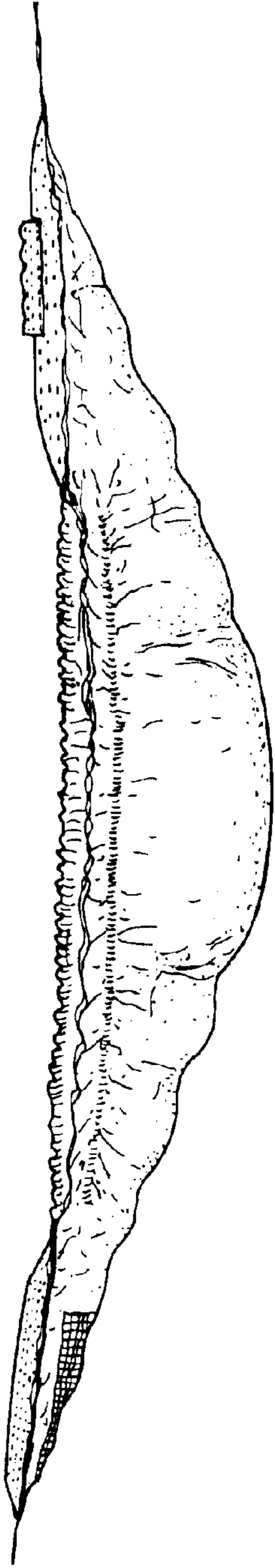


Fig. 4.

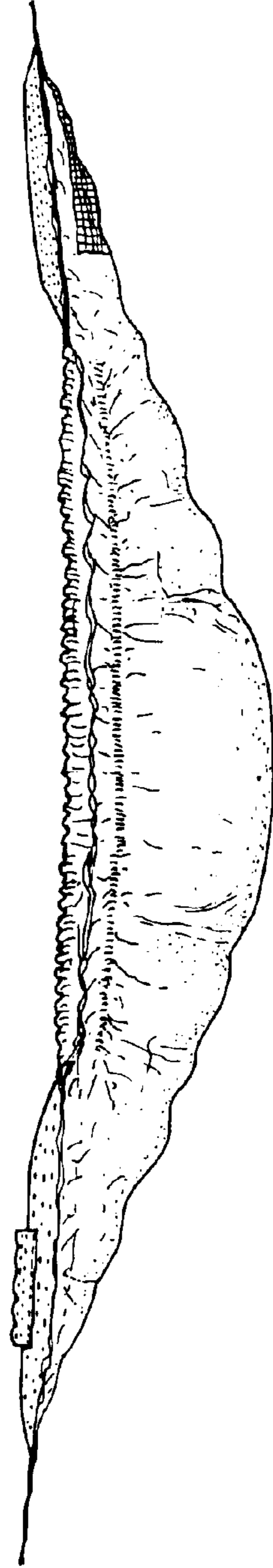


Fig. 5.

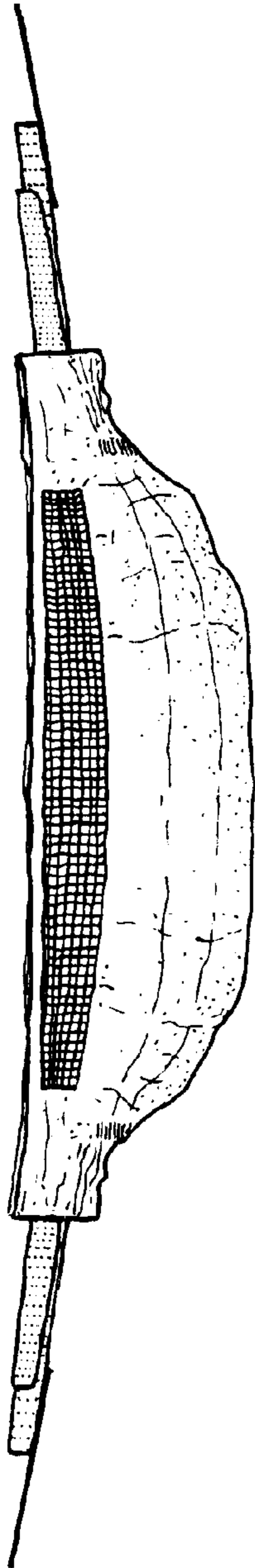


Fig. 6.



Fig. 7.