

US00D544096S

(12) **United States Design Patent**
Walters et al.

(10) **Patent No.:** **US D544,096 S**
(45) **Date of Patent:** **** Jun. 5, 2007**

(54) **POUCH FITMENT**

(75) Inventors: **Jay Mark Walters**, New London, PA (US); **Jeannine Marie Carrio**, Newark, DE (US); **Richard Grear Warwick**, Newark, DE (US); **Thomas P. Shields**, Wayne, MI (US)

(73) Assignee: **Dade Behring Inc.**, Deerfield, IL (US)

(**) Term: **14 Years**

(21) Appl. No.: **29/243,492**

(22) Filed: **Nov. 23, 2005**

(51) **LOC (8) Cl.** **24-04**

(52) **U.S. Cl.** **D24/121**

(58) **Field of Classification Search** D24/121, D24/118; D9/708, 703, 705, 707, 711; 222/92, 222/105, 107, 566, 82, 541.9; 493/102, 133, 493/213, 87, 196; 603/317; 428/35.4; 383/80, 383/38

See application file for complete search history.

(56) **References Cited**

U.S. PATENT DOCUMENTS

4,126,167	A	*	11/1978	Smith et al.	604/317
4,452,378	A	*	6/1984	Christine	222/107
4,692,361	A	*	9/1987	Johnston et al.	428/35.4
5,827,586	A		10/1998	Yamashita et al.	428/36.6
5,855,544	A	*	1/1999	Buchanan	493/102
5,898,113	A		4/1999	Vicere	73/864.62

6,000,848	A	*	12/1999	Massioui	383/80
6,164,822	A	*	12/2000	Beer	383/38
6,178,832	B1		1/2001	Mathur et al.	73/864.62
6,224,528	B1	*	5/2001	Bell	493/196
6,273,307	B1	*	8/2001	Gross et al.	222/566
D480,630	S		10/2003	Berman	D9/708
D502,092	S	*	2/2005	Berman	D9/708
6,860,406	B2	*	3/2005	Kobetsky et al.	222/92
D504,323	S		4/2005	Berman	D9/708
6,958,033	B1	*	10/2005	Malin	493/102
6,991,140	B2	*	1/2006	Bourque et al.	222/541.9
2004/0112915	A1	*	6/2004	Franczyk	222/92

* cited by examiner

Primary Examiner—Louis Zarfaz

Assistant Examiner—David Muller

(74) *Attorney, Agent, or Firm*—Leland K. Jordan

(57) **CLAIM**

The ornamental design for a pouch fitment, as shown and described.

DESCRIPTION

FIG. 1 is a front elevation view of a pouch fitment showing the new design;

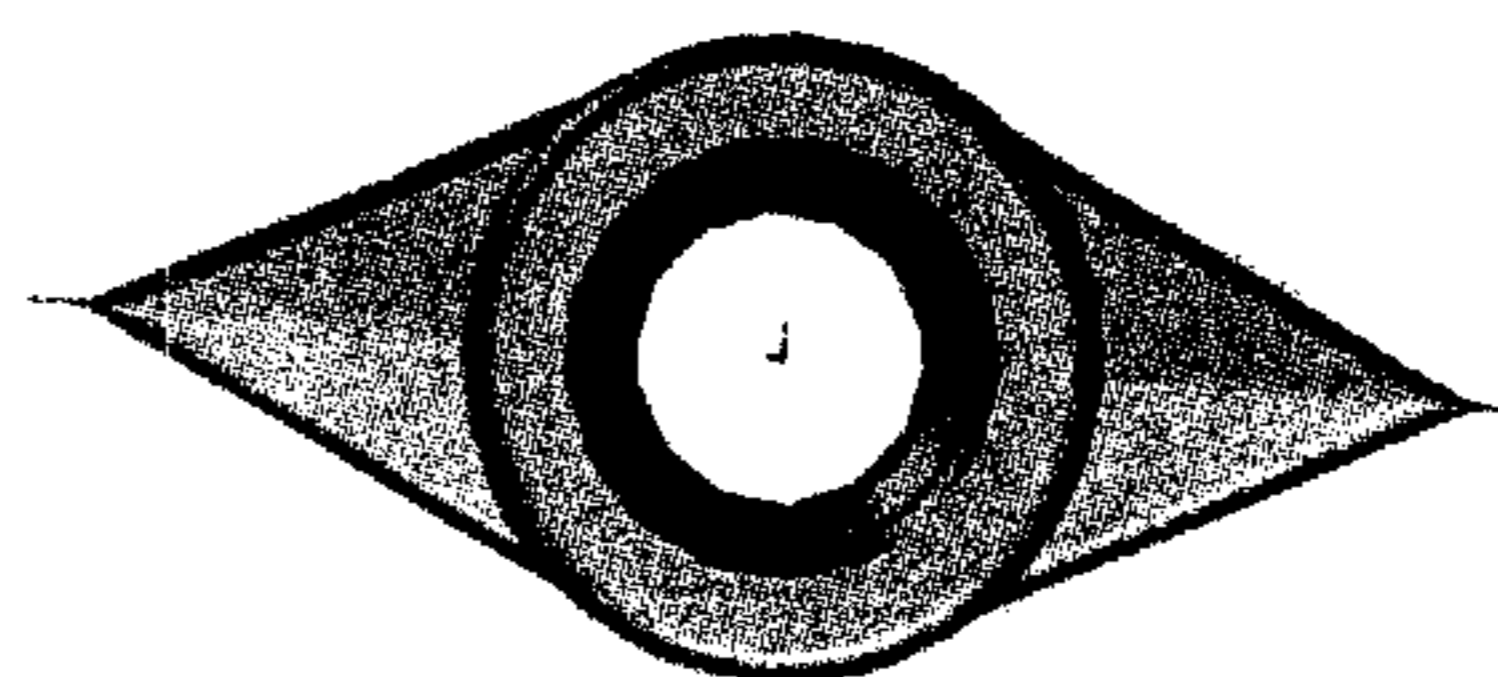
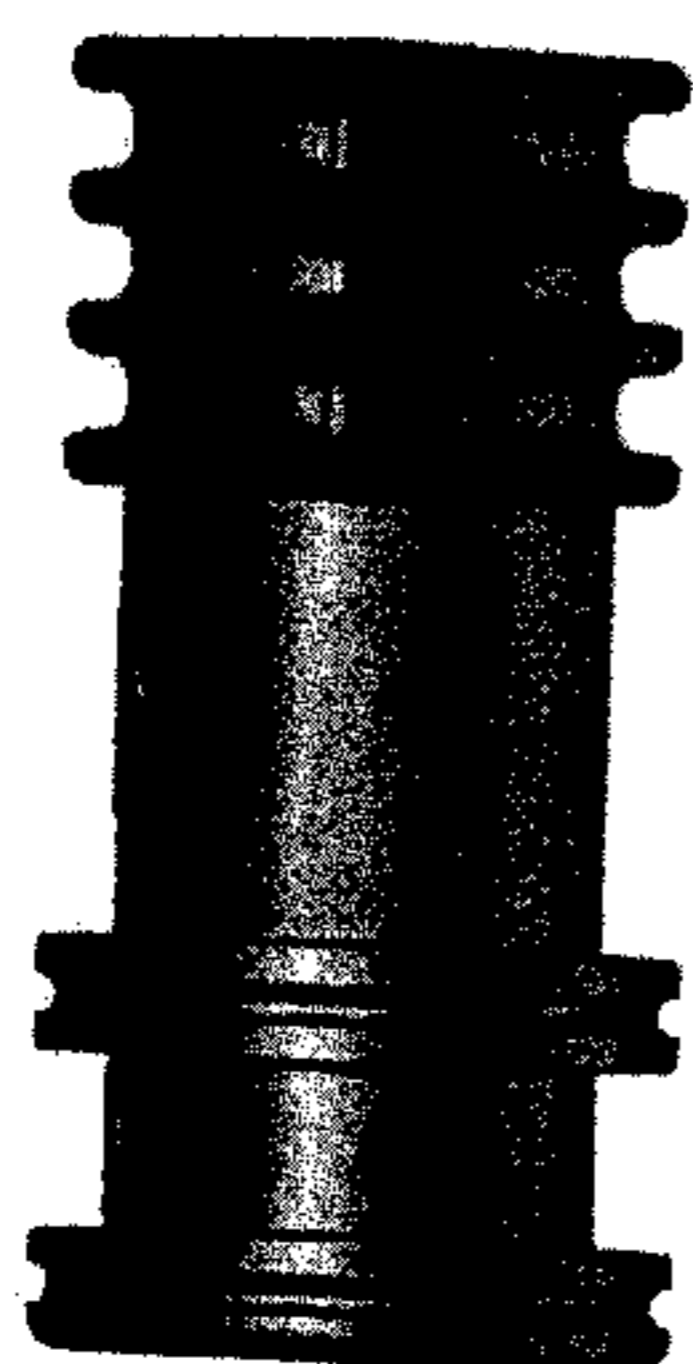
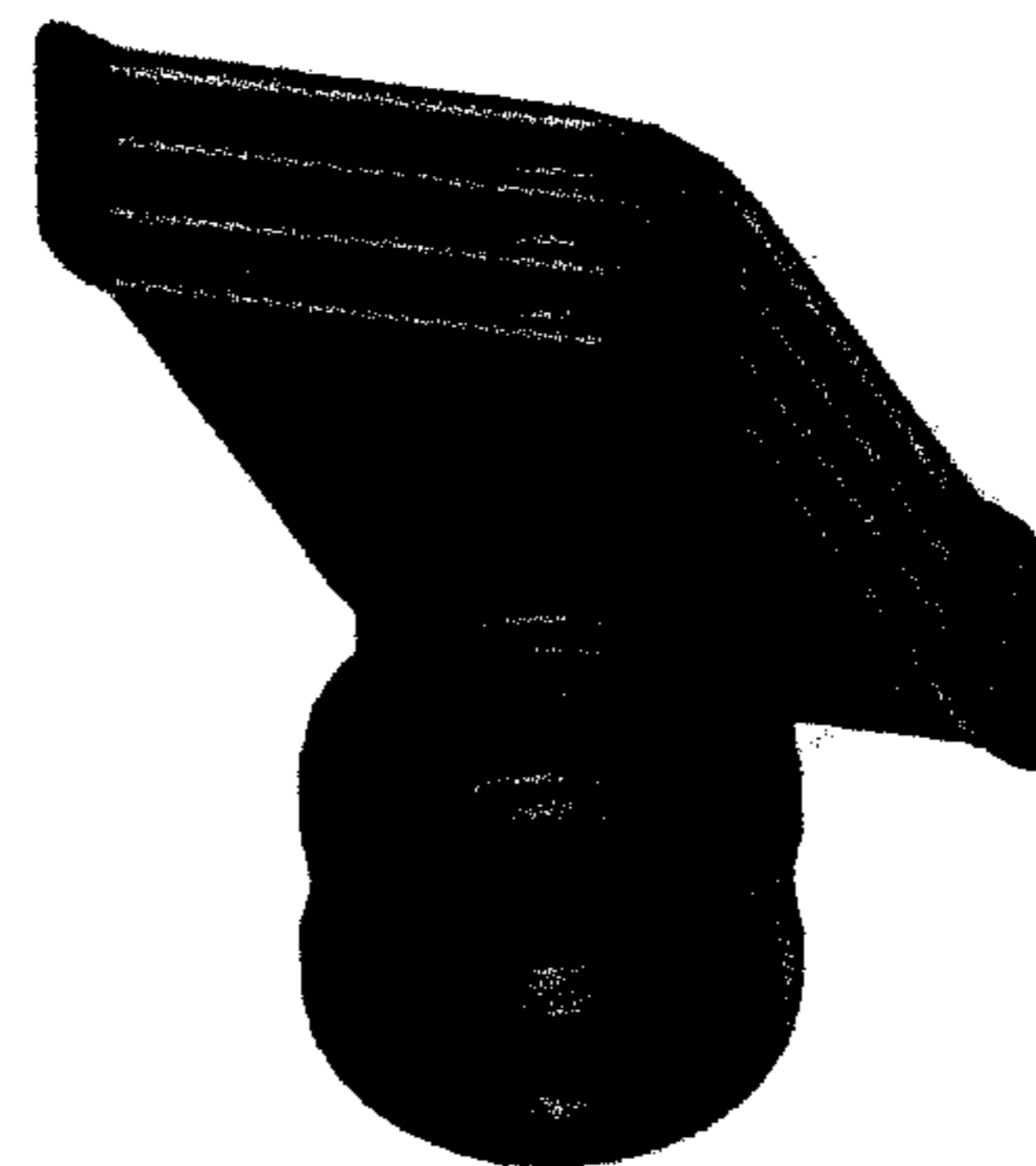
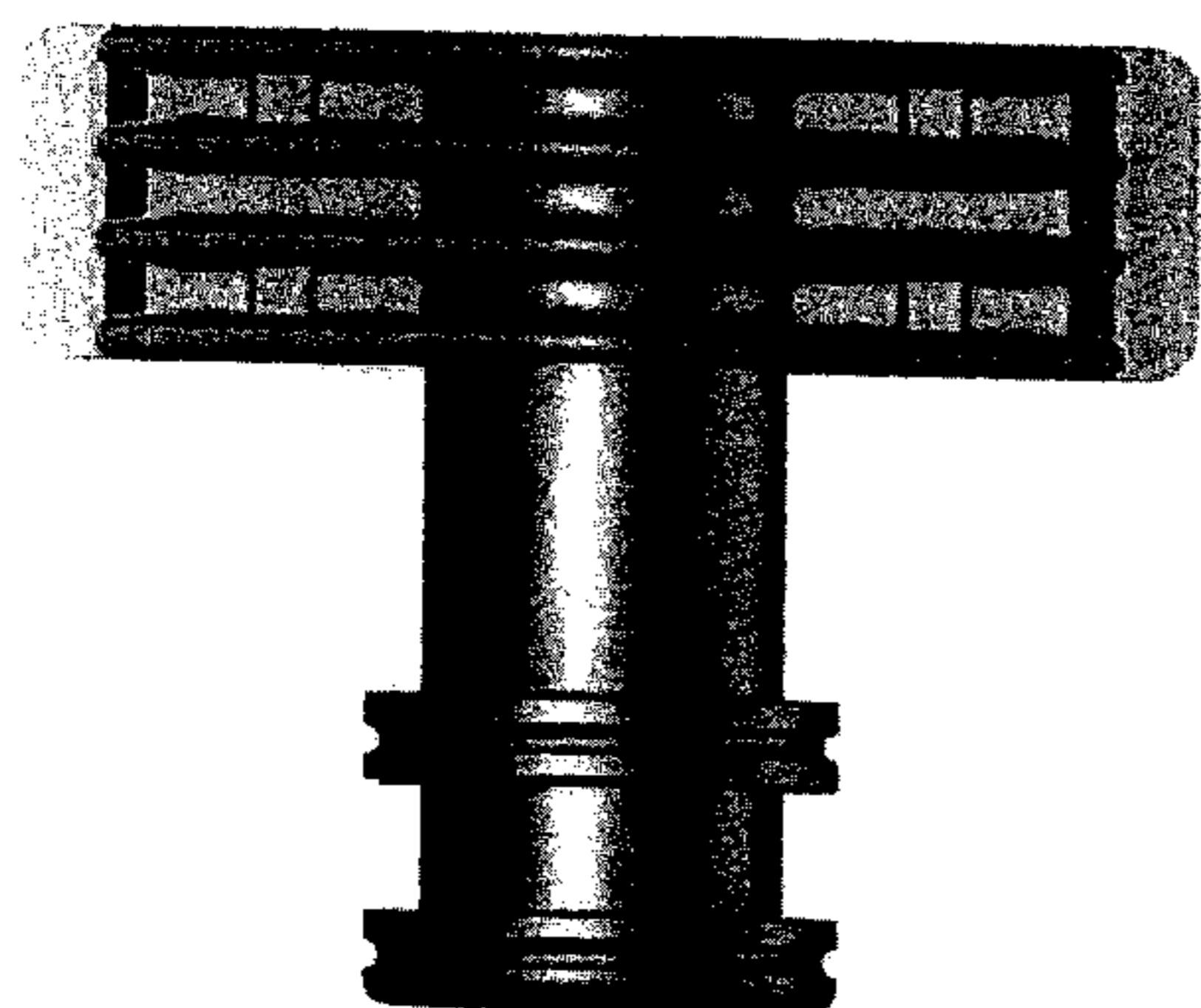
FIG. 2 is a right side elevation view thereof, the left side elevation view being identical;

FIG. 3 is a bottom perspective view thereof;

FIG. 4 is bottom view thereof; and,

FIG. 5 is a top view thereof.

1 Claim, 5 Drawing Sheets



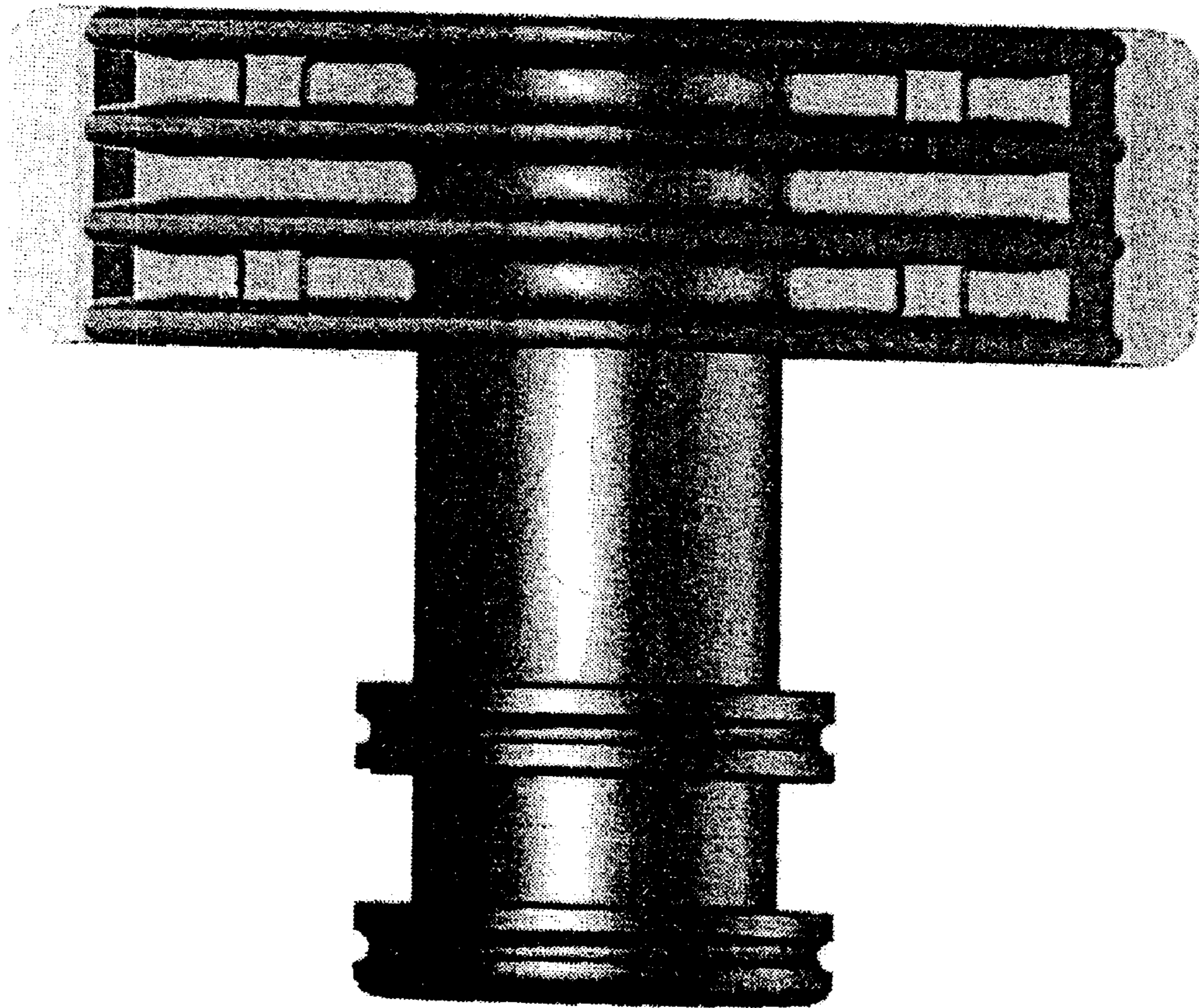


FIG. 1

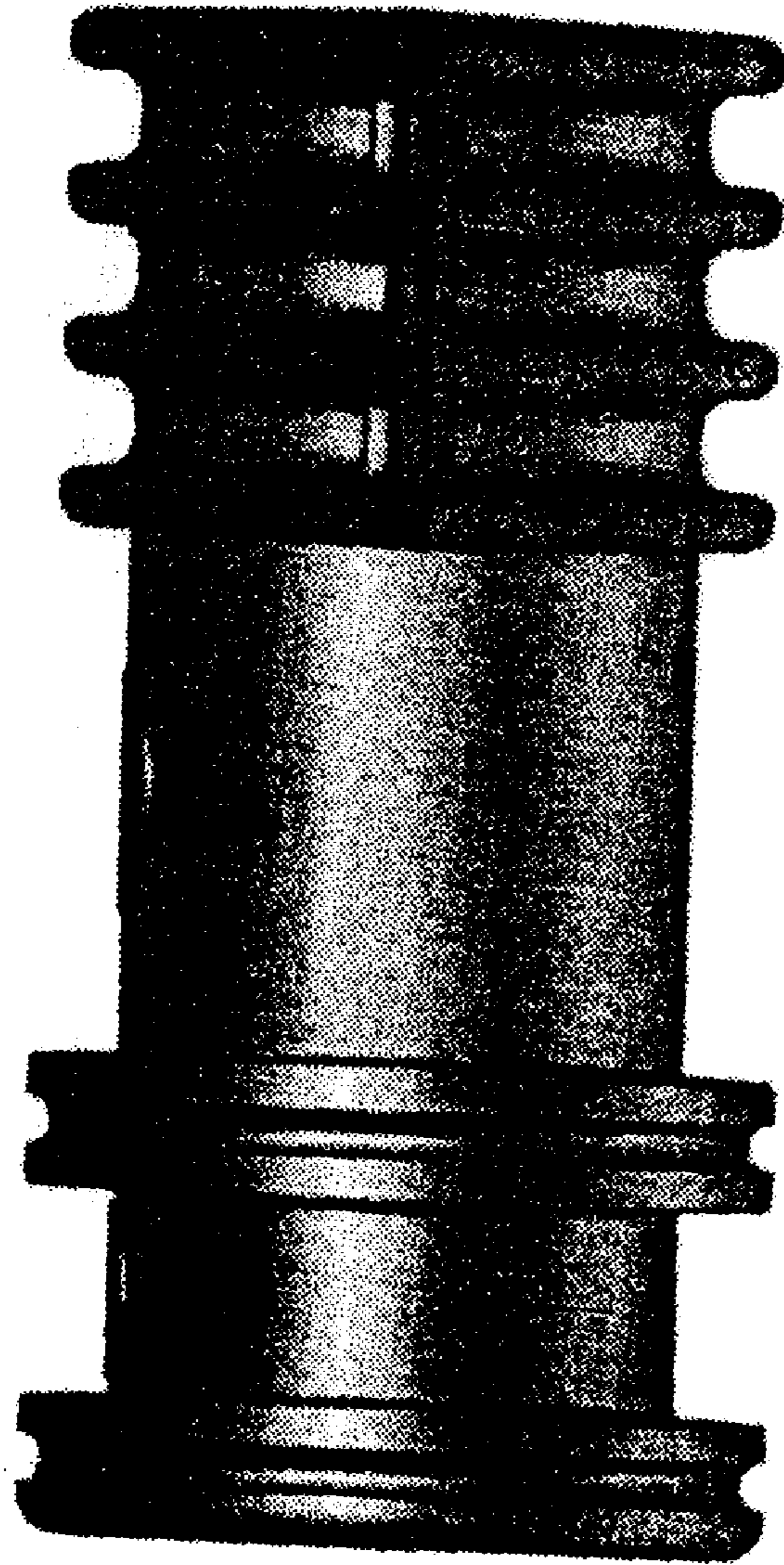


FIG. 2

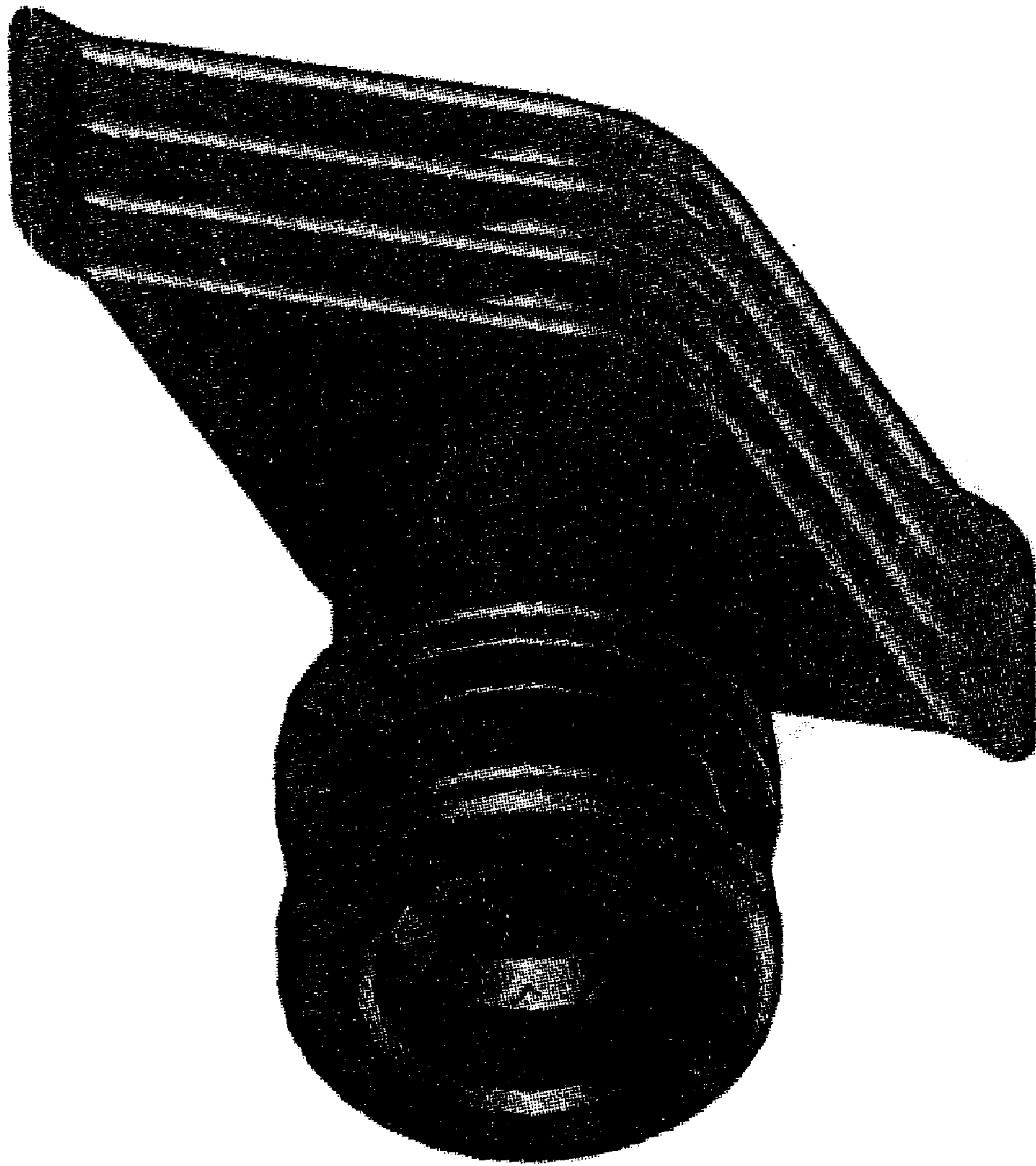


FIG. 3

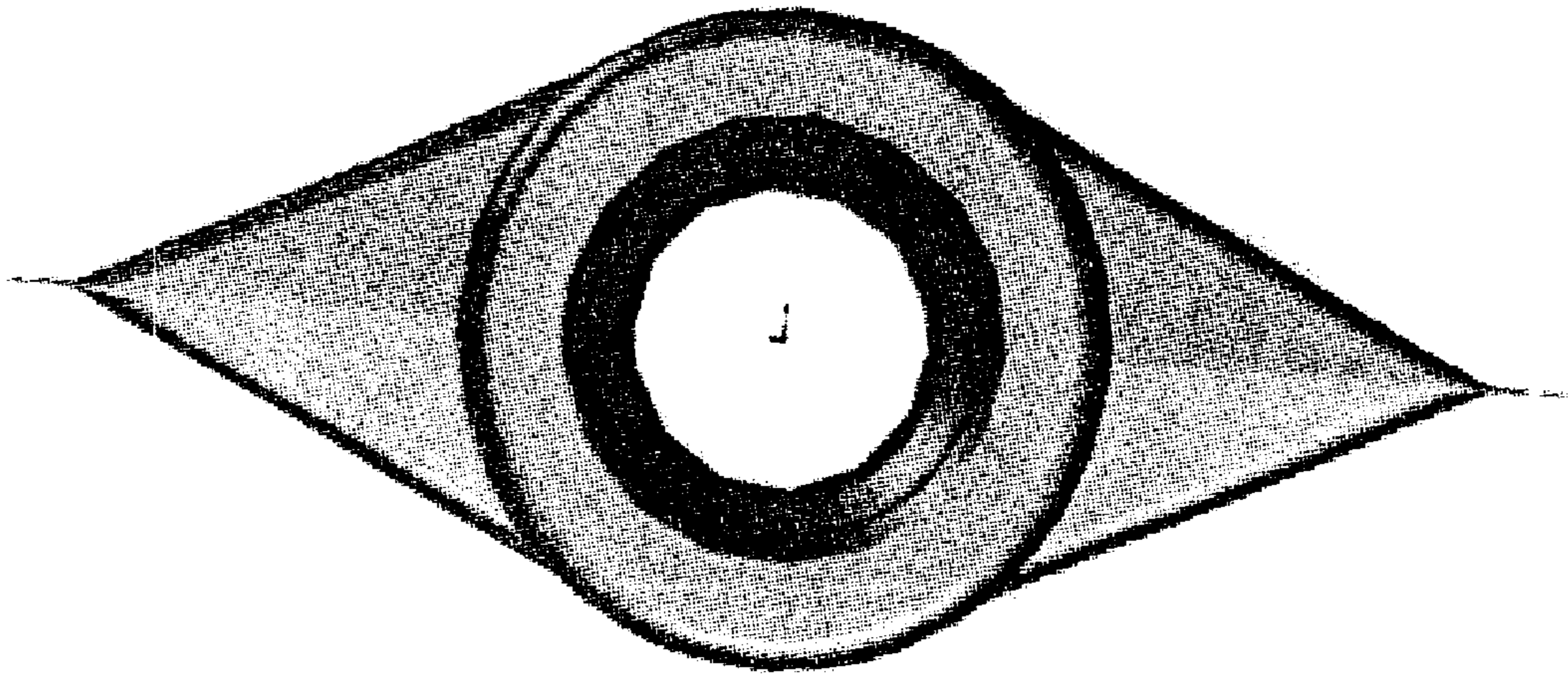


FIG. 4

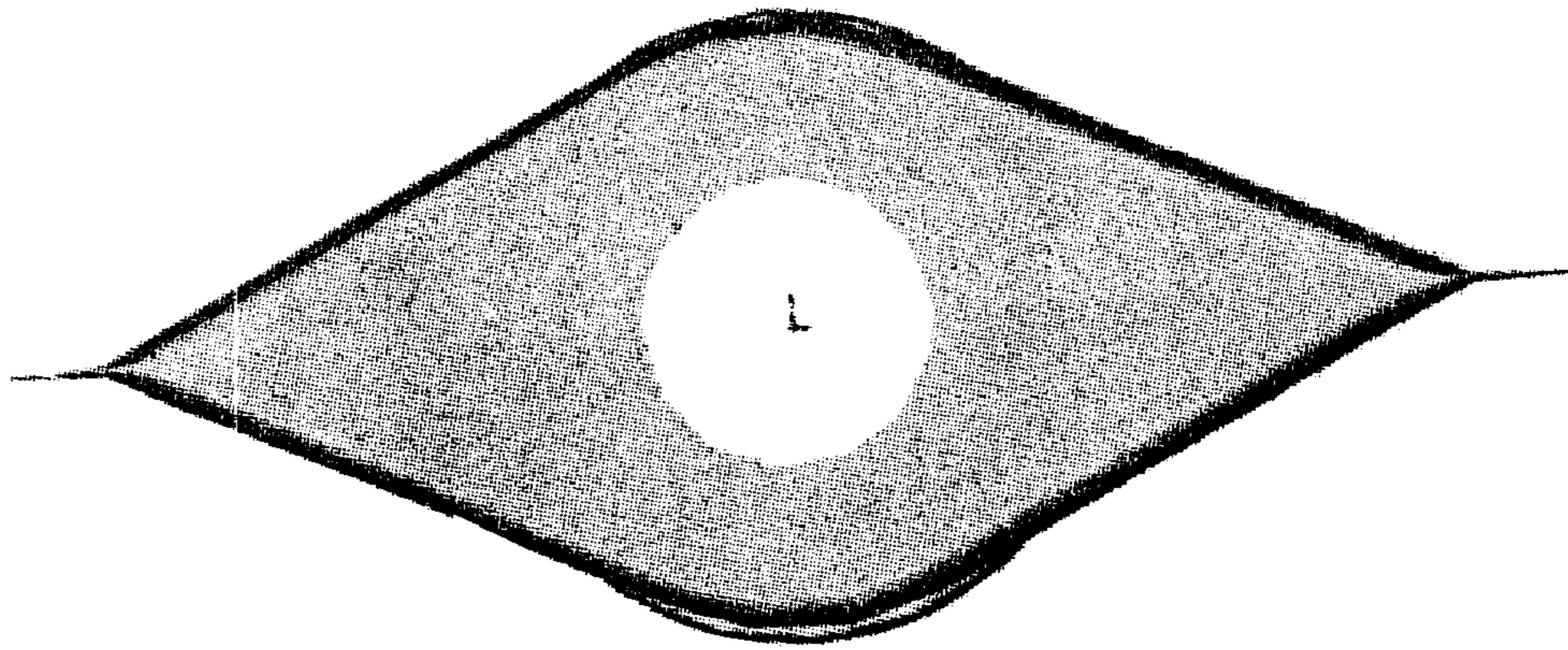


FIG. 5