



US00D544094S

(12) **United States Design Patent**
Kustasz

(10) **Patent No.:** **US D544,094 S**

(45) **Date of Patent:** **** Jun. 5, 2007**

(54) **ADJUSTABLE WATER JET
TEETH-CLEANING SHOWER
ATTACHMENT**

5,823,441 A * 10/1998 Nicholson 601/155
6,193,512 B1 2/2001 Wallace
2003/0204155 A1* 10/2003 Egeresi 601/165

* cited by examiner

(76) Inventor: **Donald J. Kustasz**, 2786 Benson Rd.,
Tawas City, MI (US) 48763-9448

Primary Examiner—Ian Simmons

(74) *Attorney, Agent, or Firm*—Donald R. Schoonover

(**) Term: **14 Years**

(57) **CLAIM**

(21) Appl. No.: **29/179,860**

I claim the ornamental design for an adjustable water jet
teeth-cleaning shower attachment, as shown and described.

(22) Filed: **Apr. 17, 2003**

(51) **LOC (8) Cl.** **24-02**

DESCRIPTION

(52) **U.S. Cl.** **D24/111; D24/108; D24/152**

FIG. 1 is a perspective view of an adjustable water jet
teeth-cleaning shower attachment showing my new design,
with the hose shown broken in the middle to indicate an
indeterminate length;

(58) **Field of Classification Search** D24/111,
D24/108, 112, 152; 601/162, 165; 604/150,
604/275, 149; 433/80, 92

See application file for complete search history.

FIG. 2 is a front elevational view thereof;

(56) **References Cited**

FIG. 3 is an end elevational view thereof;

U.S. PATENT DOCUMENTS

FIG. 4 is an elevational view of the opposing end thereof;

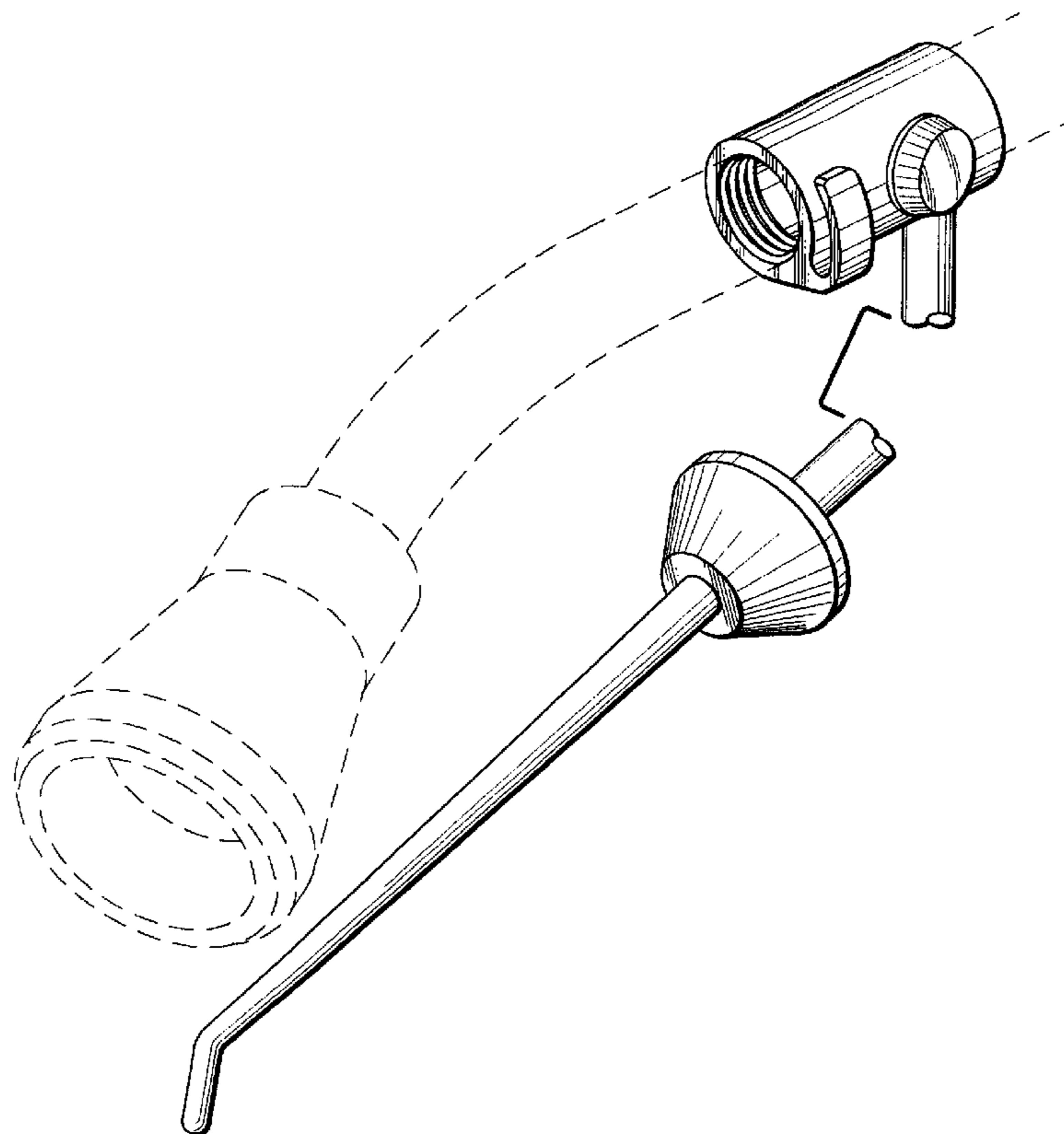
3,467,082	A *	9/1969	Gilbert	601/165
4,265,229	A	5/1981	Rice et al.		
4,302,040	A	11/1981	Lazar		
4,447,917	A	5/1984	Walter		
4,793,331	A *	12/1988	Stewart	601/165
4,926,511	A	5/1990	Coll		
5,218,956	A *	6/1993	Handler et al.	601/155
5,220,914	A *	6/1993	Thompson	601/155
5,241,714	A *	9/1993	Barry	604/275

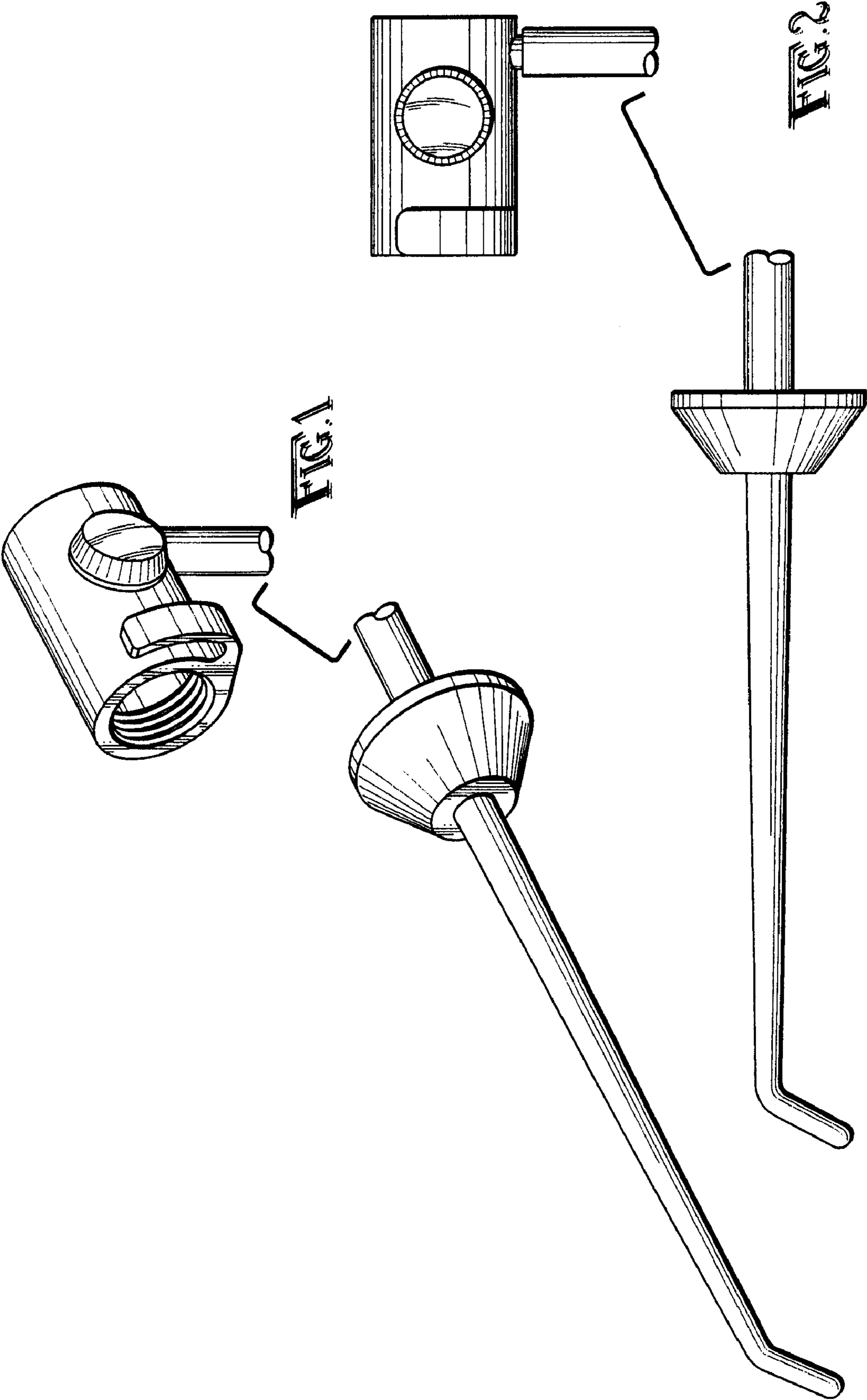
FIG. 5 is a top plan view thereof; and

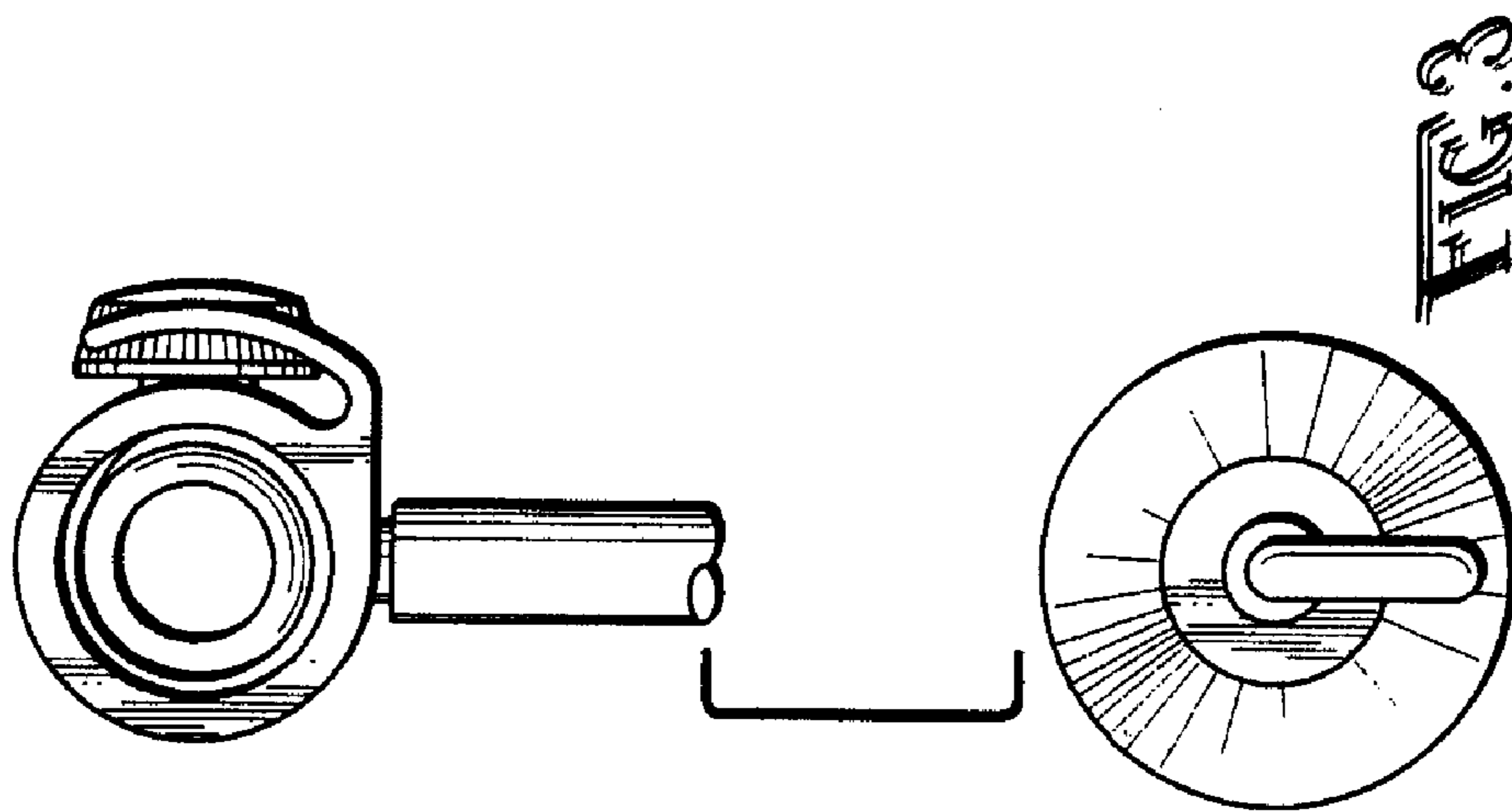
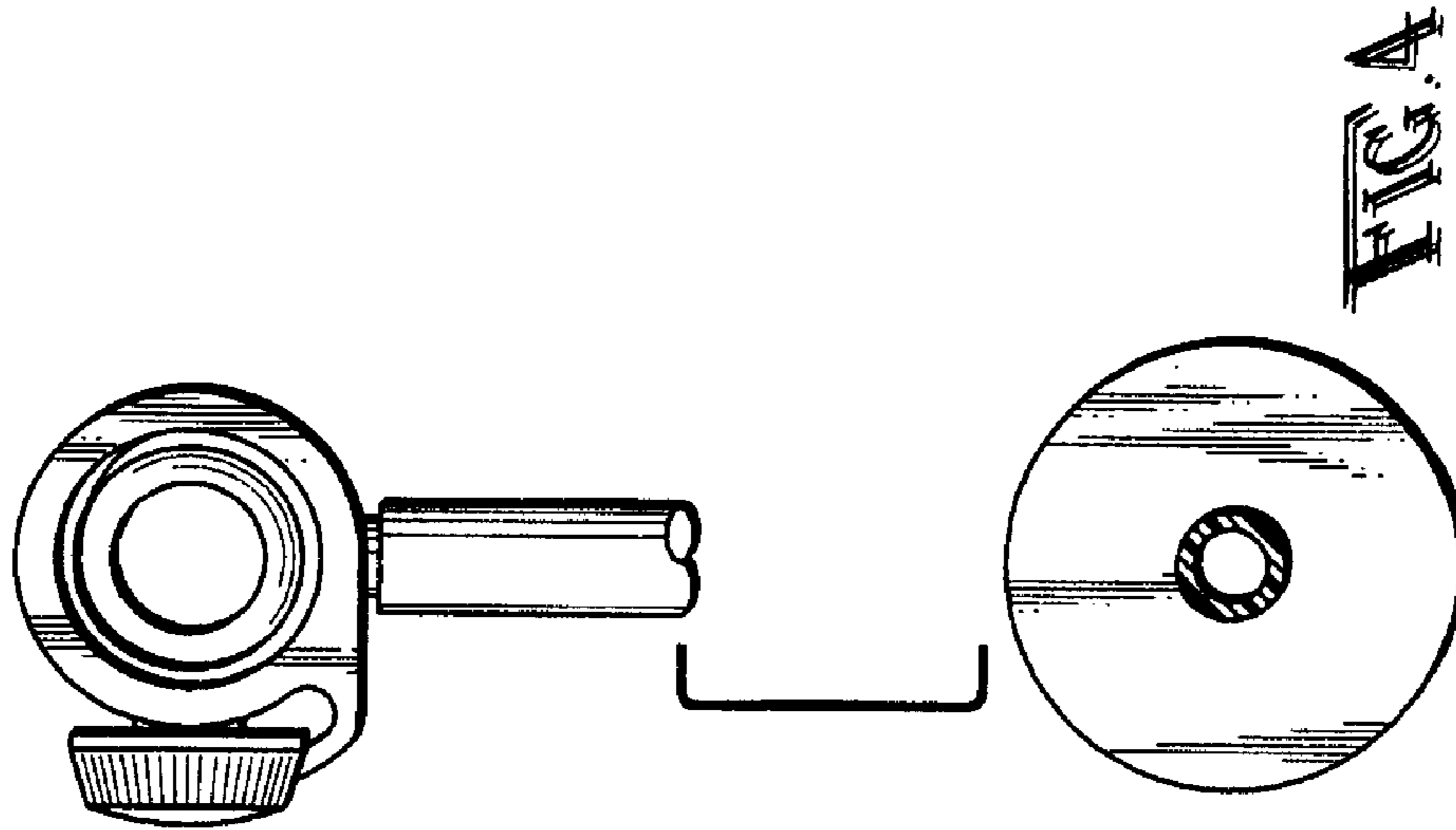
FIG. 6 is a bottom plan view thereof; and,

FIG. 7 is a perspective view showing the adjustable water jet
teeth-cleaning shower attachment in use; the broken lines
depict environmental structure for illustrative purposes only
and form no part of the claimed design.

1 Claim, 4 Drawing Sheets







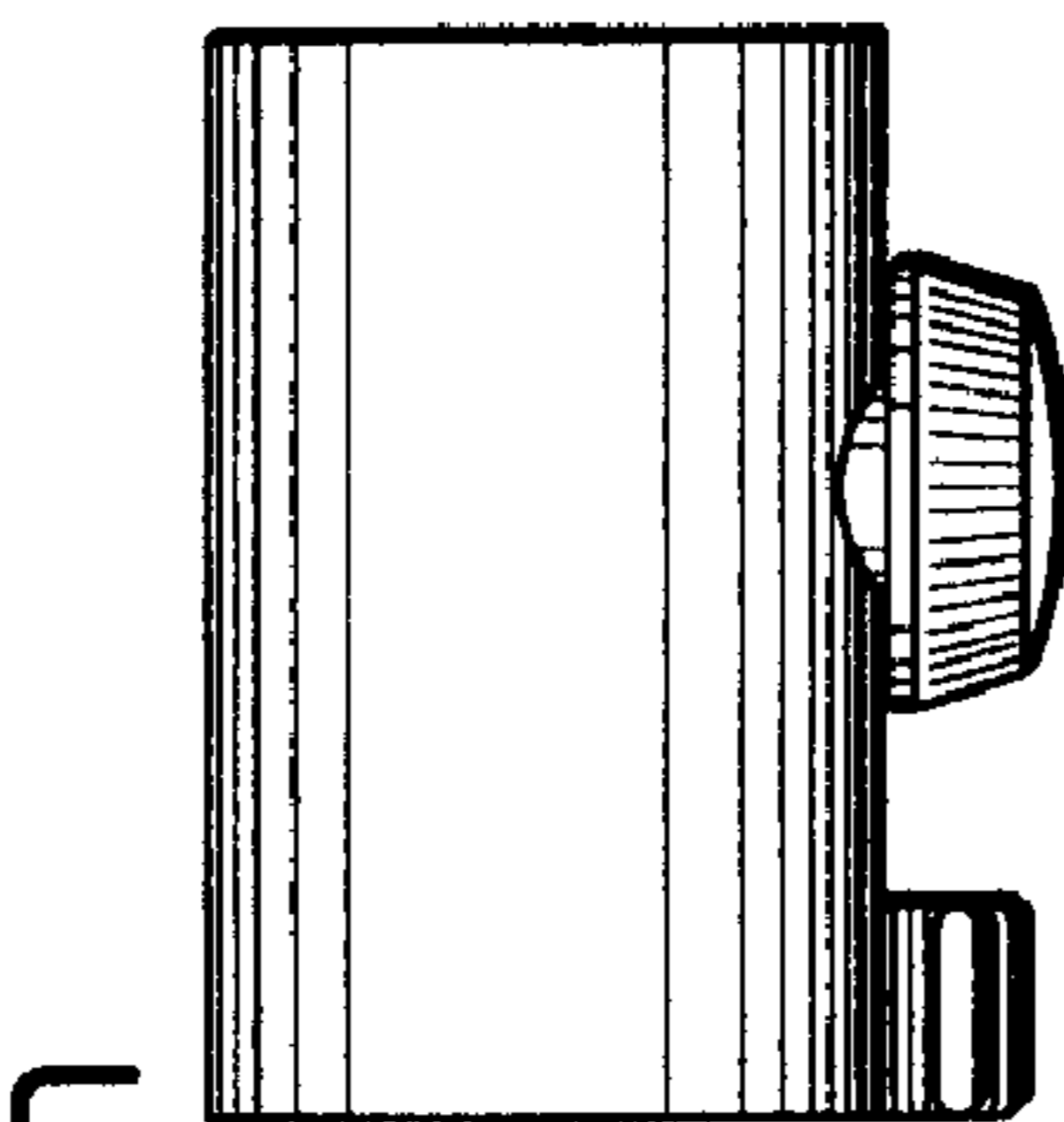


FIG. 5

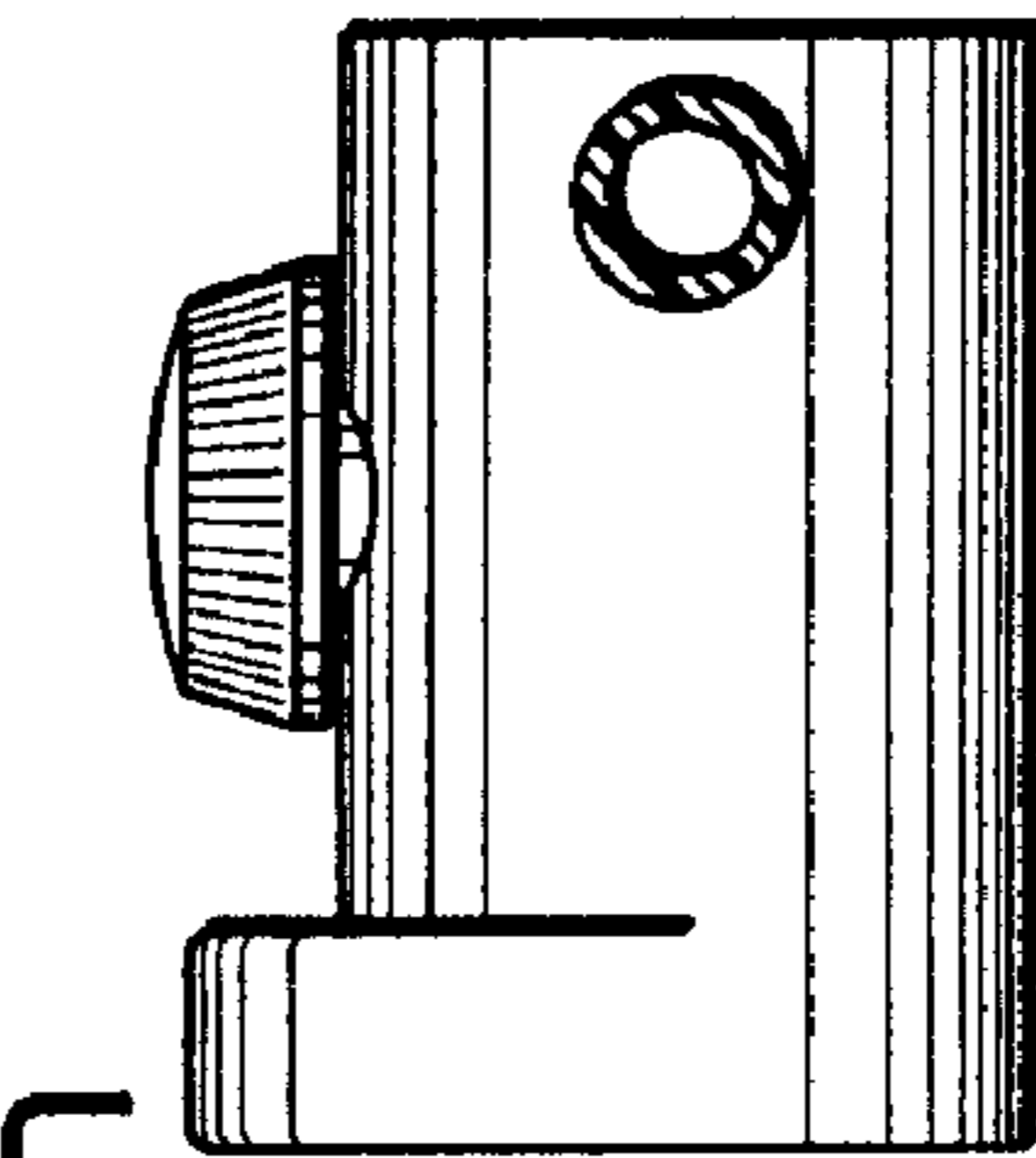
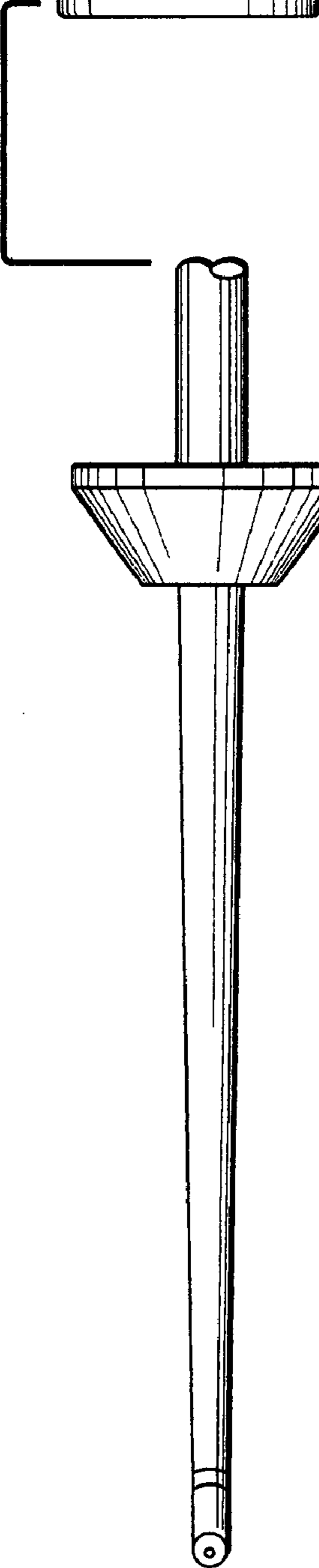
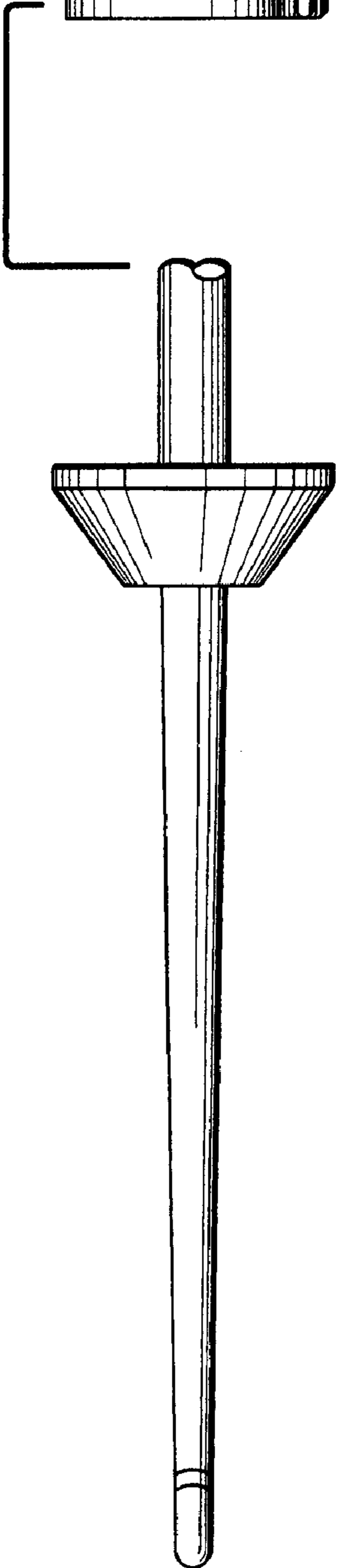


FIG. 6



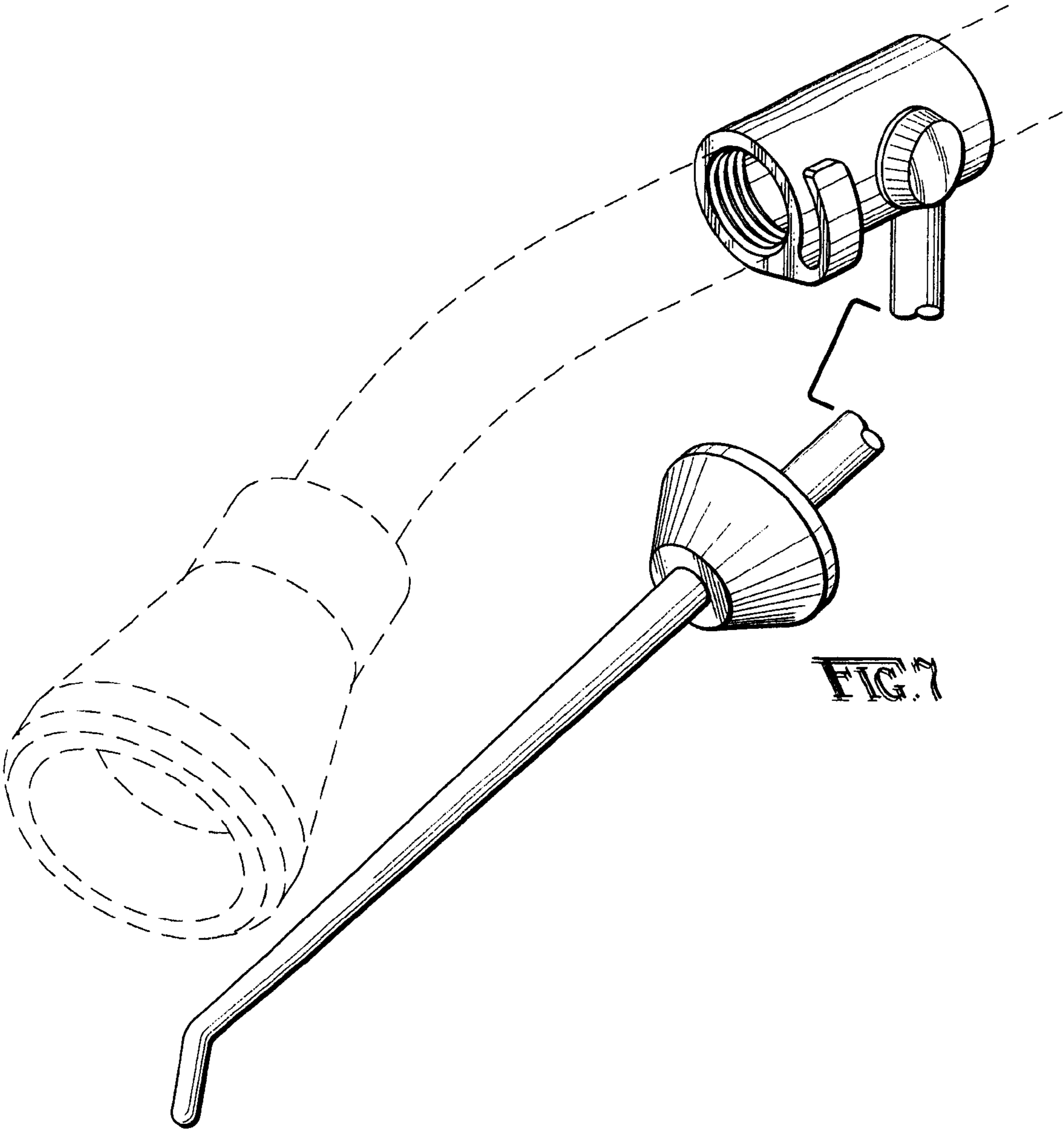


FIG. 7