



US00D544091S

(12) **United States Design Patent**
Lewicki et al.

(10) **Patent No.:** **US D544,091 S**

(45) **Date of Patent:** **** Jun. 5, 2007**

(54) **ELEMENT HOLDER**

(75) Inventors: **Gregory D. Lewicki**, Newtown Square, PA (US); **Stephen J. Lewicki**, Swarthmore, PA (US)

(73) Assignee: **L&L Kiln Manufacturing Inc.**, Boothwyn, PA (US)

(**) Term: **14 Years**

(21) Appl. No.: **29/242,348**

(22) Filed: **Nov. 9, 2005**

(51) **LOC (8) Cl.** **23-03**

(52) **U.S. Cl.** **D23/422**

(58) **Field of Classification Search** D15/144,
D15/144.1; D23/82, 422; D25/70, 73-77,
D25/80, 113; 211/41.18; 432/178, 241, 258,
432/259

See application file for complete search history.

(56) **References Cited**

U.S. PATENT DOCUMENTS

D30,288 S	*	2/1899	Vrooman	D23/422
D33,427 S	*	10/1900	Tidemann	D23/422
D33,601 S	*	11/1900	Brinkerhoff	D23/422
D47,930 S	*	10/1915	Meier	D23/422
D59,256 S	*	10/1921	Moffat	D23/422
2,511,068 A	*	6/1950	Kail	432/230
3,091,014 A	*	5/1963	Smoot et al.	432/258
3,934,733 A	*	1/1976	Worden	414/405
D267,776 S	*	2/1983	Holgersson et al.	D8/396

D269,385 S	*	6/1983	Bunger	D30/120
D270,288 S	*	8/1983	Smith	D25/119
D271,304 S	*	11/1983	Kensrue	D15/144
4,520,934 A	*	6/1985	Aigo	211/41.18
D288,957 S	*	3/1987	Olson	D23/422
D497,008 S	*	10/2004	Germany et al.	D25/113
2002/0112429 A1	*	8/2002	Niese et al.	52/392

OTHER PUBLICATIONS

Brochure "Bulletin No. G-2-04" Copyright 2004.
Brochure "Bulletin No. e-4-05" Copyright 2005.

* cited by examiner

Primary Examiner—Sandra Snapp

Assistant Examiner—Karen Acker

(74) *Attorney, Agent, or Firm*—Woodcock Washburn LLP

(57) **CLAIM**

We claim the ornamental design for an element holder, as shown and described.

DESCRIPTION

FIG. 1 is a front perspective view of an element holder showing our new design;

FIG. 2 is a front perspective view thereof;

FIG. 3 is a back perspective view thereof;

FIG. 4 is a front elevational view thereof;

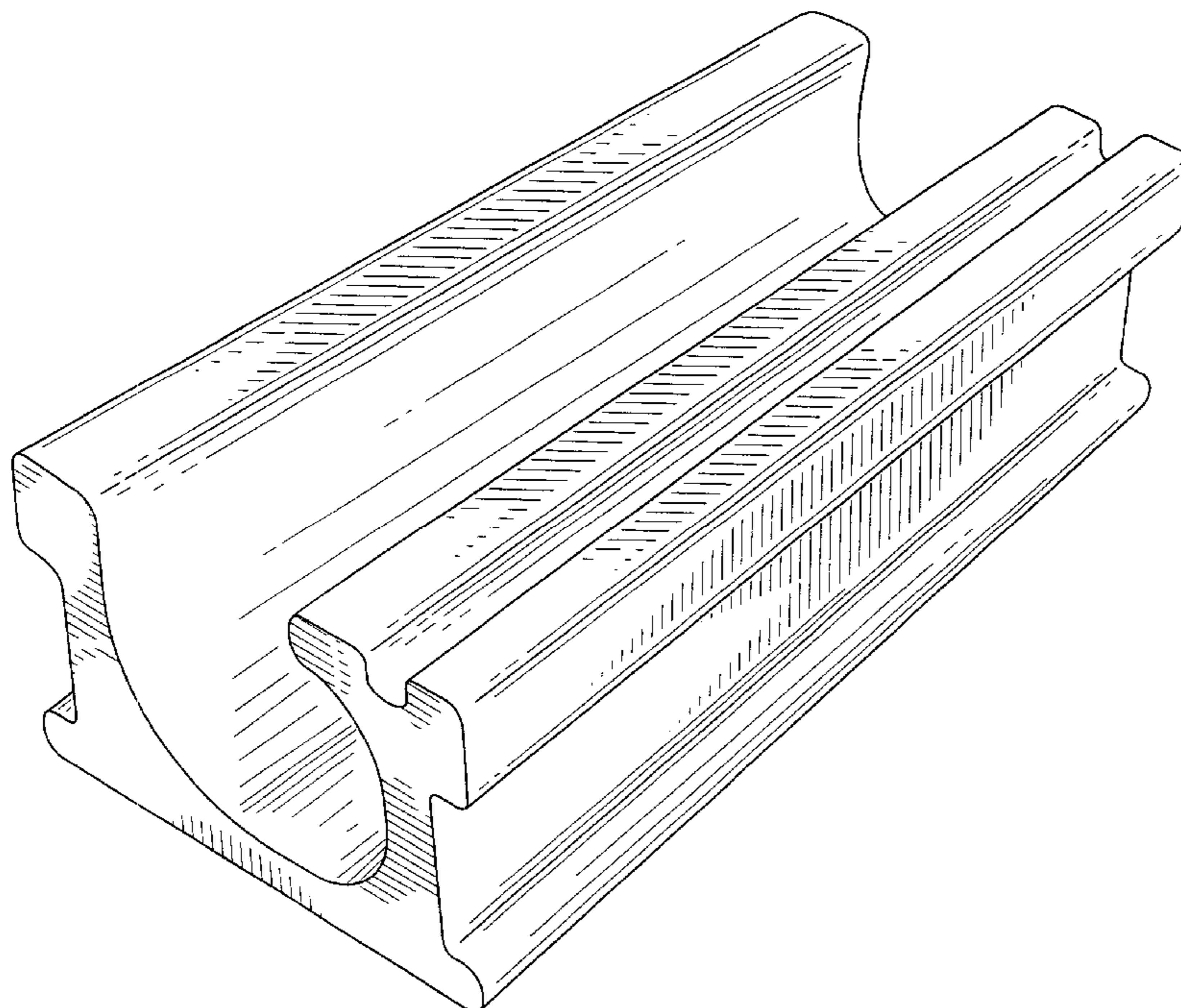
FIG. 5 is a back elevational view thereof;

FIG. 6 is a side elevational view thereof;

FIG. 7 is a top plan view thereof; and,

FIG. 8 is a bottom plan view thereof.

1 Claim, 6 Drawing Sheets



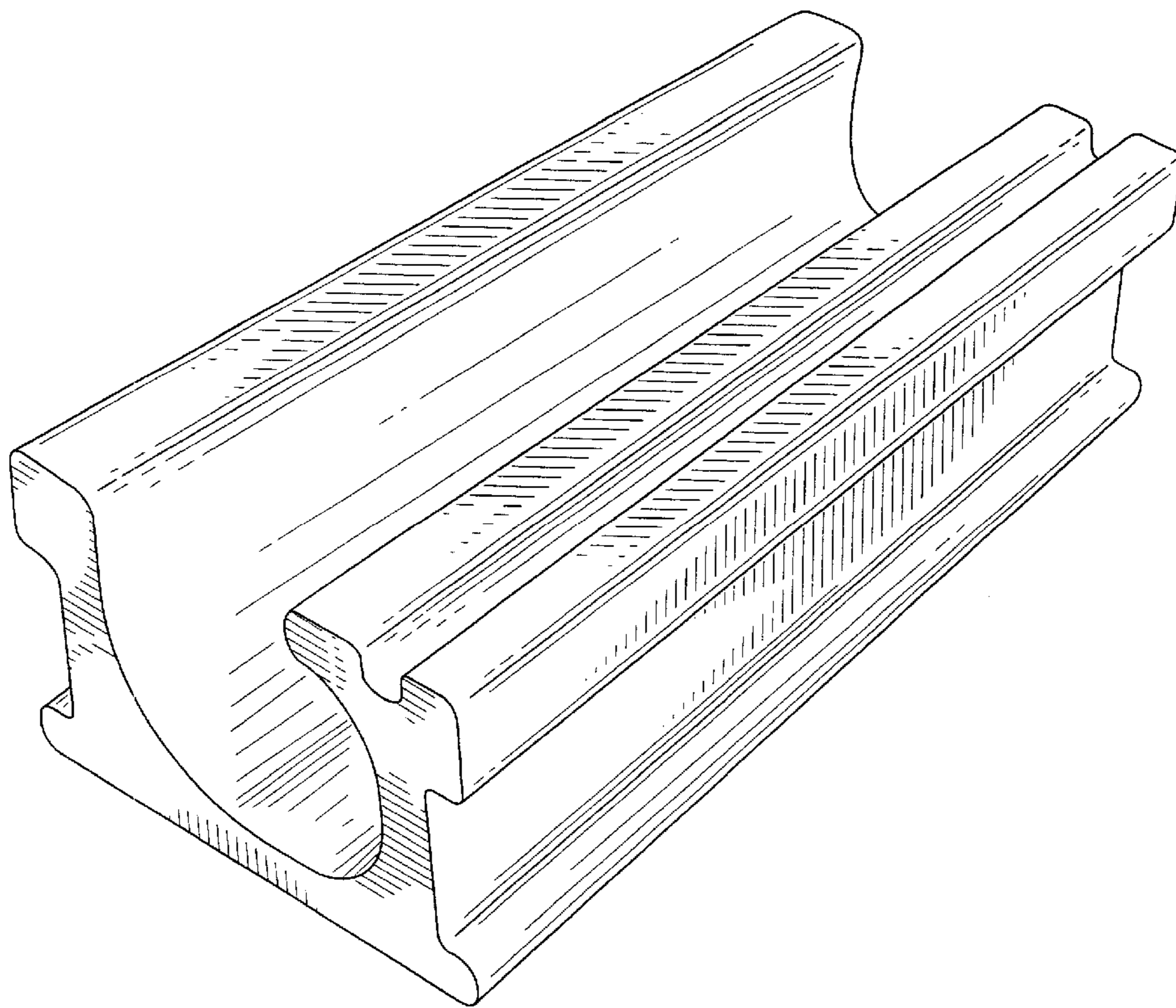


FIG. 1

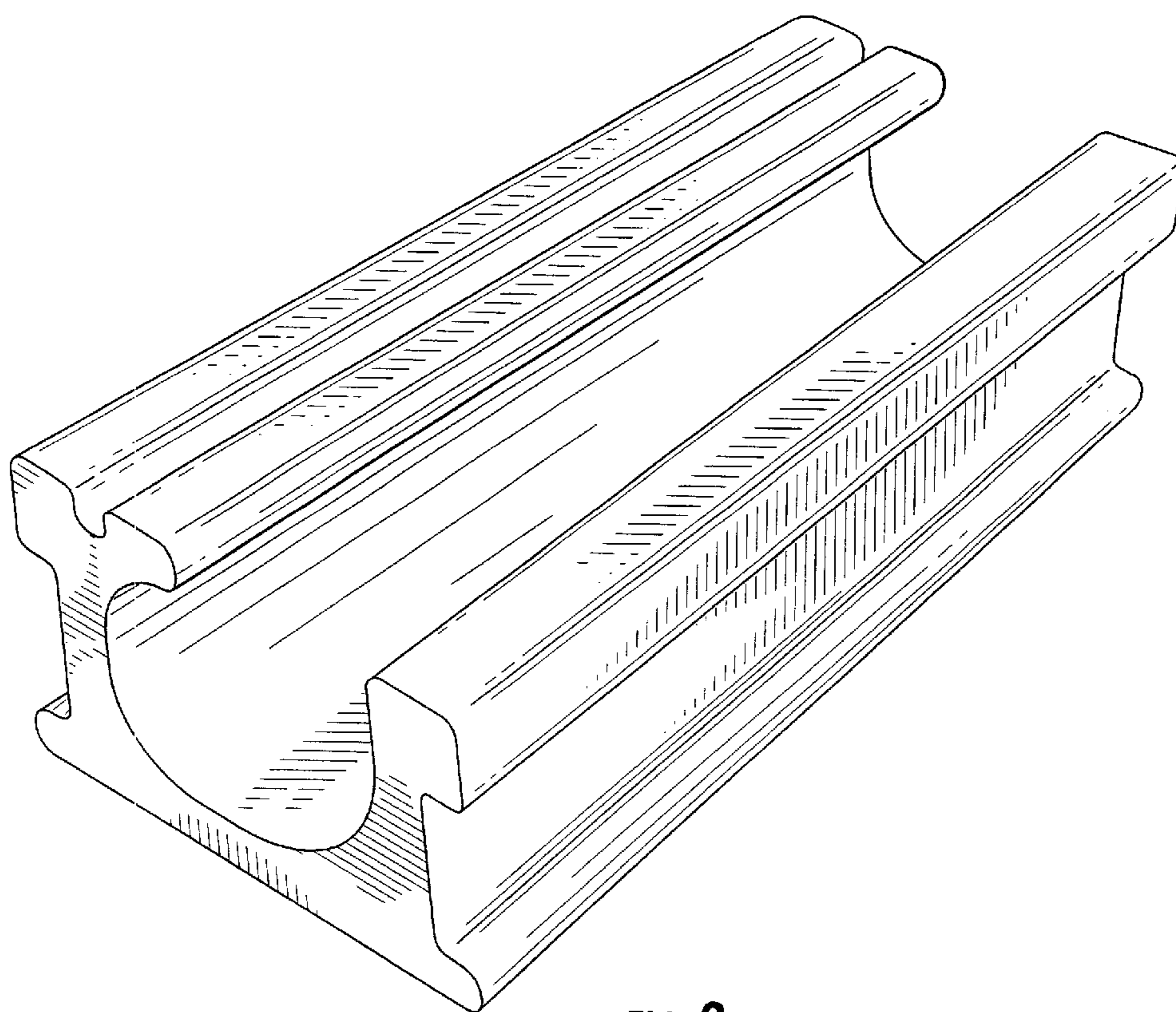


FIG. 2

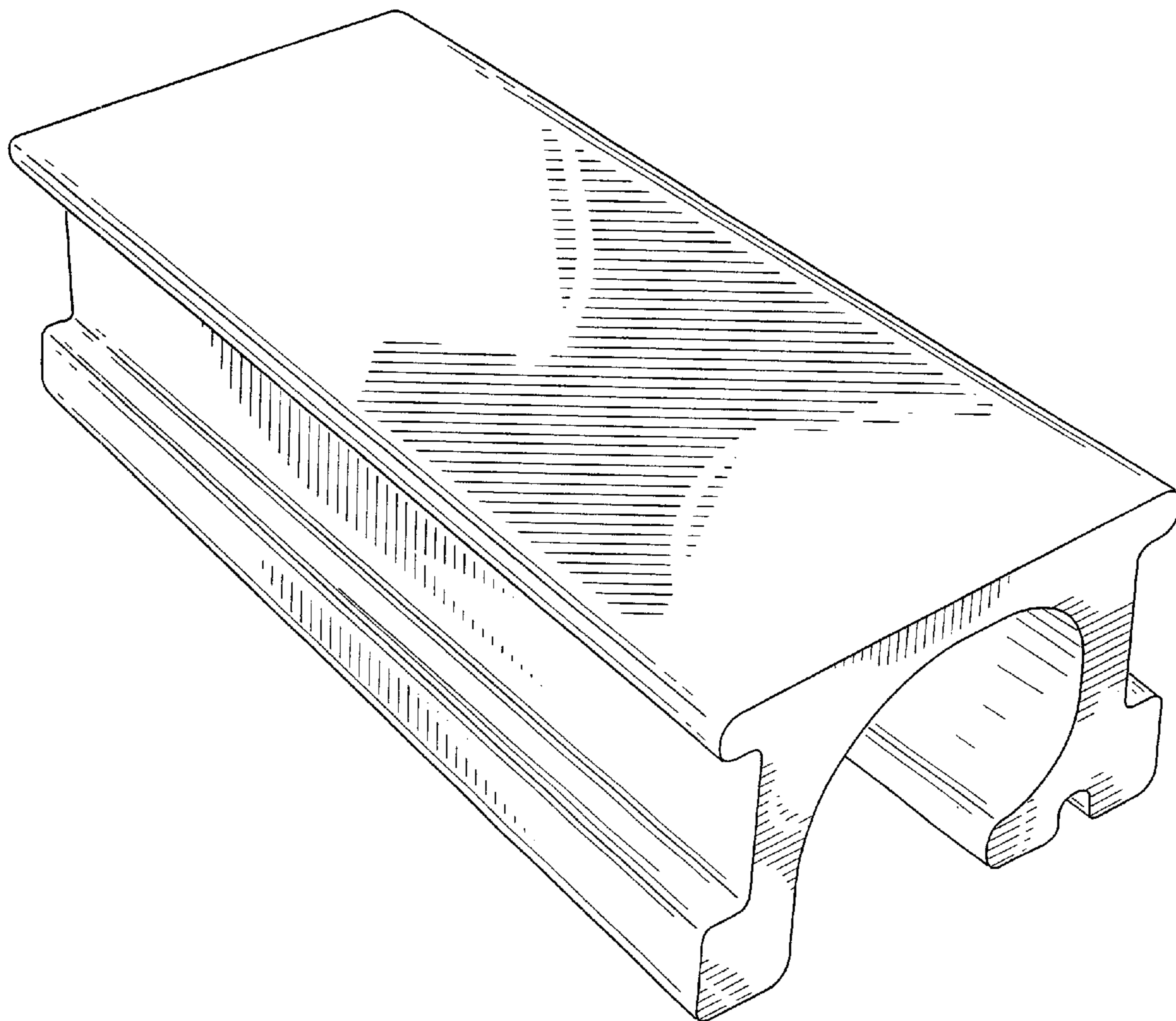


FIG. 3

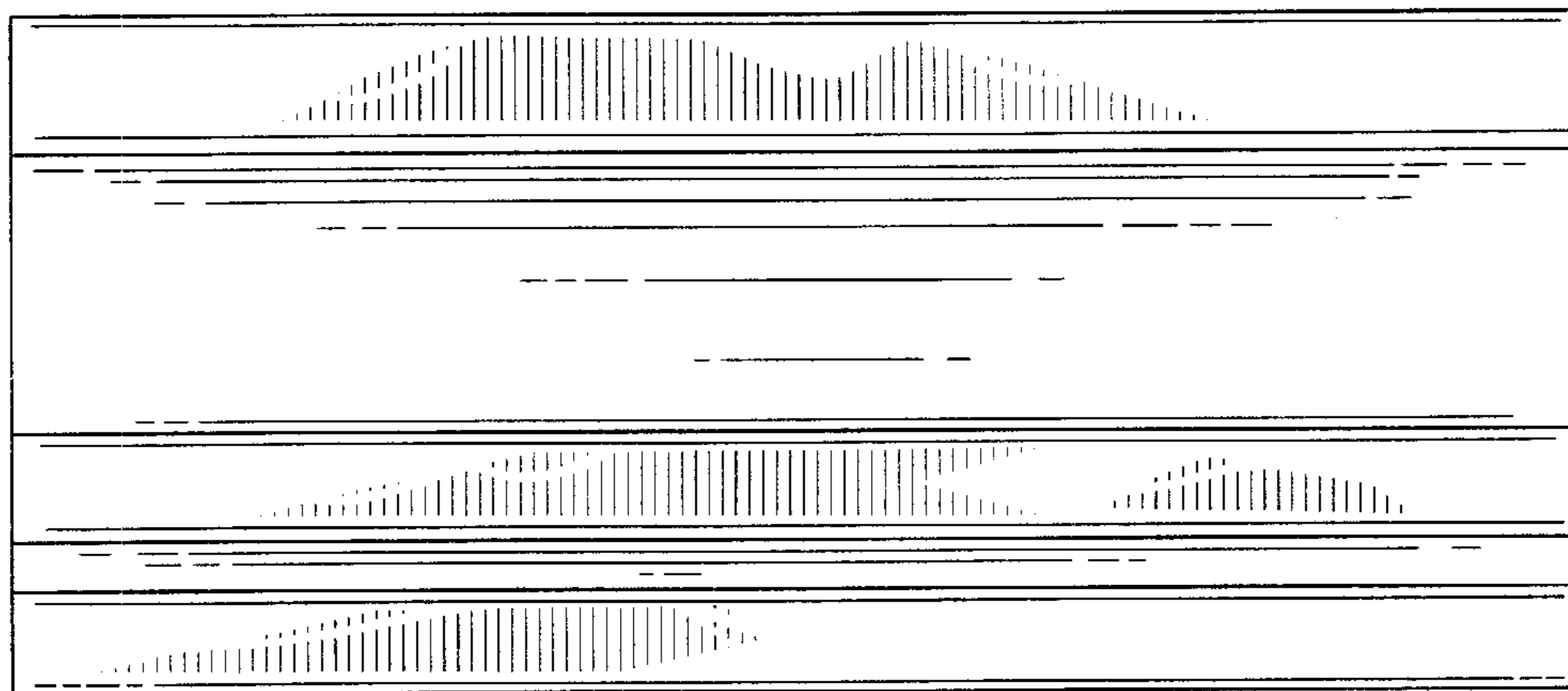


FIG. 4

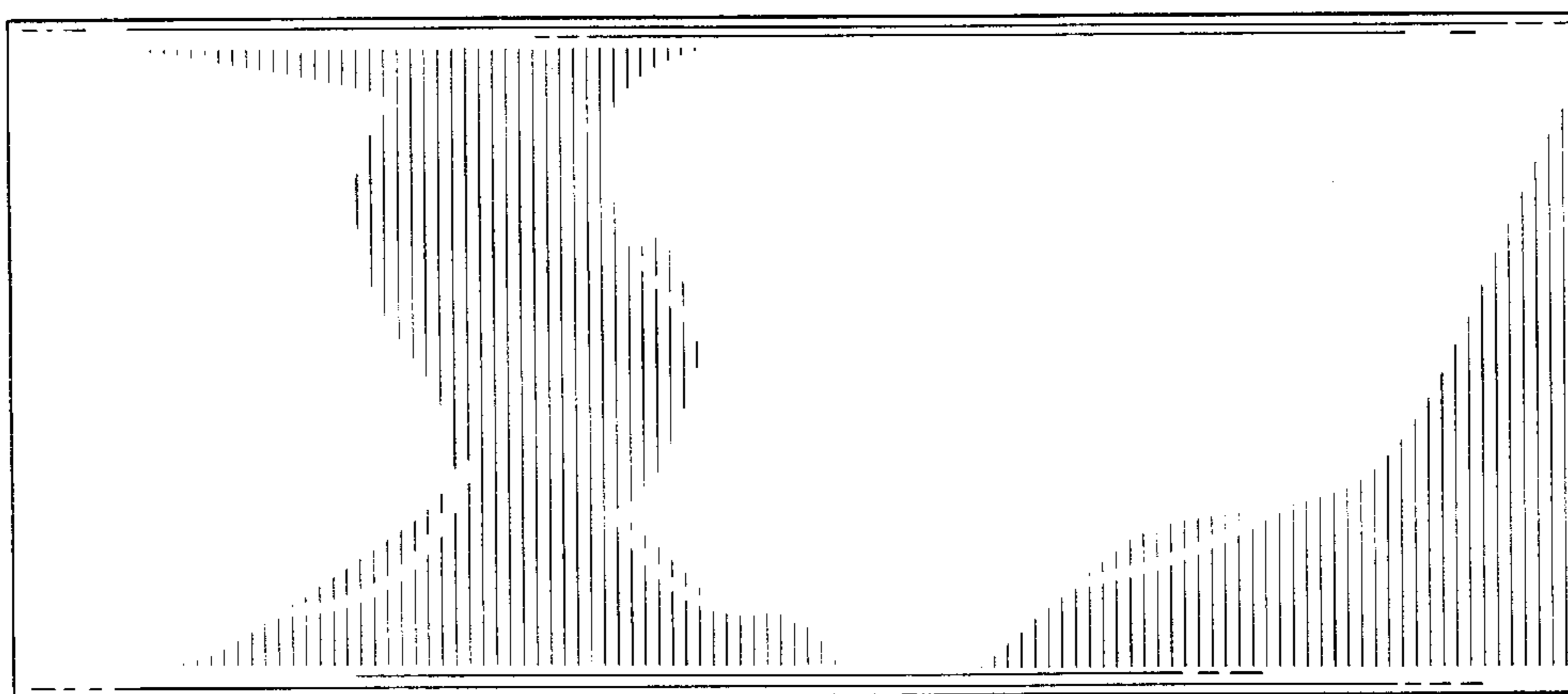


FIG. 5

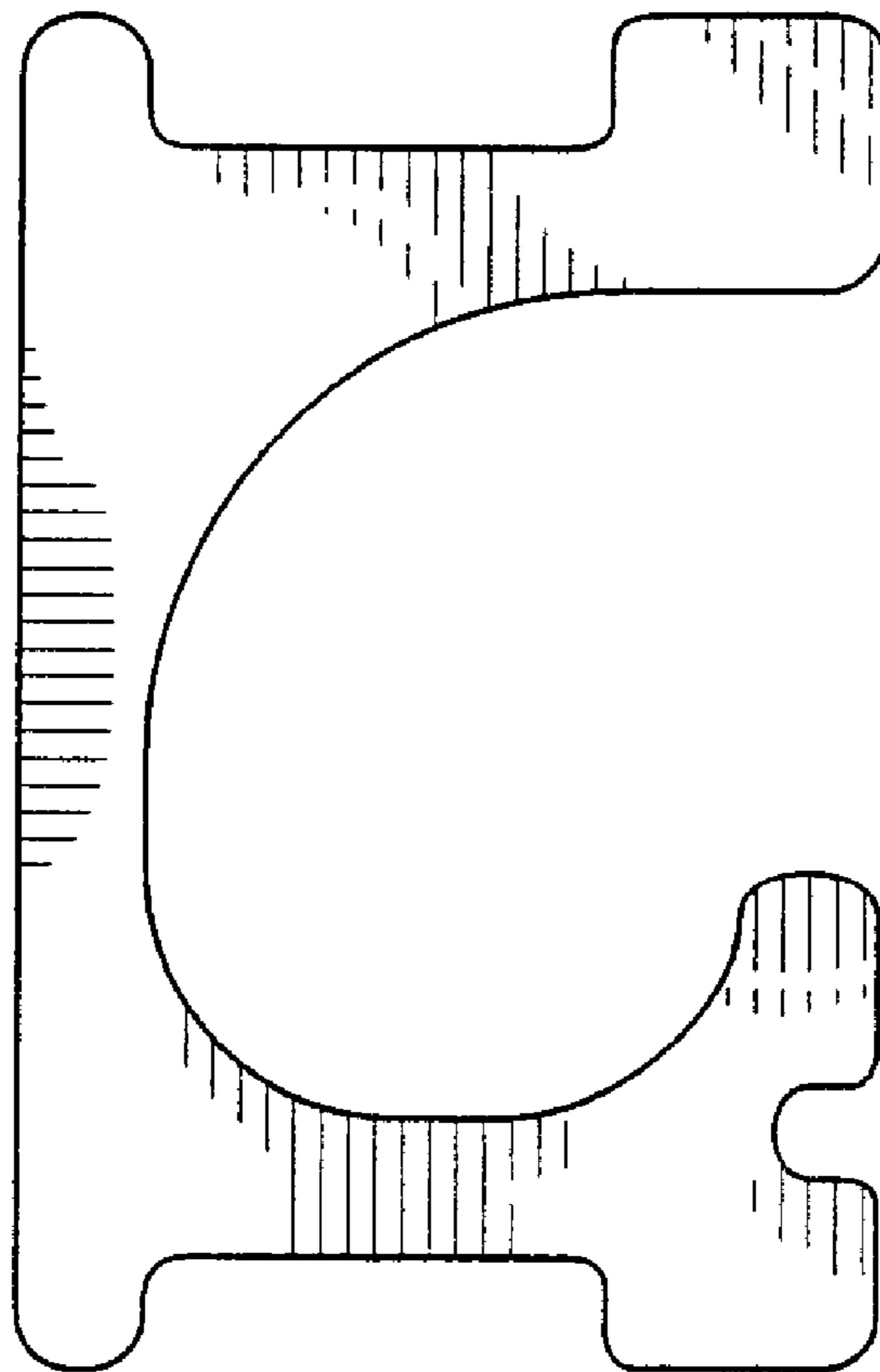


FIG. 6

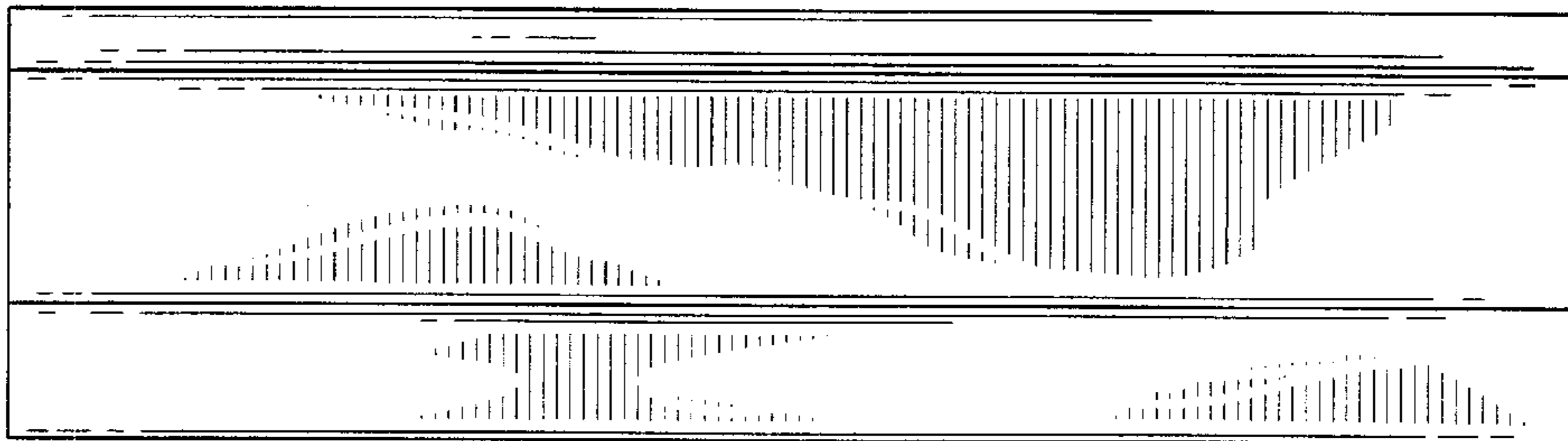


FIG. 7

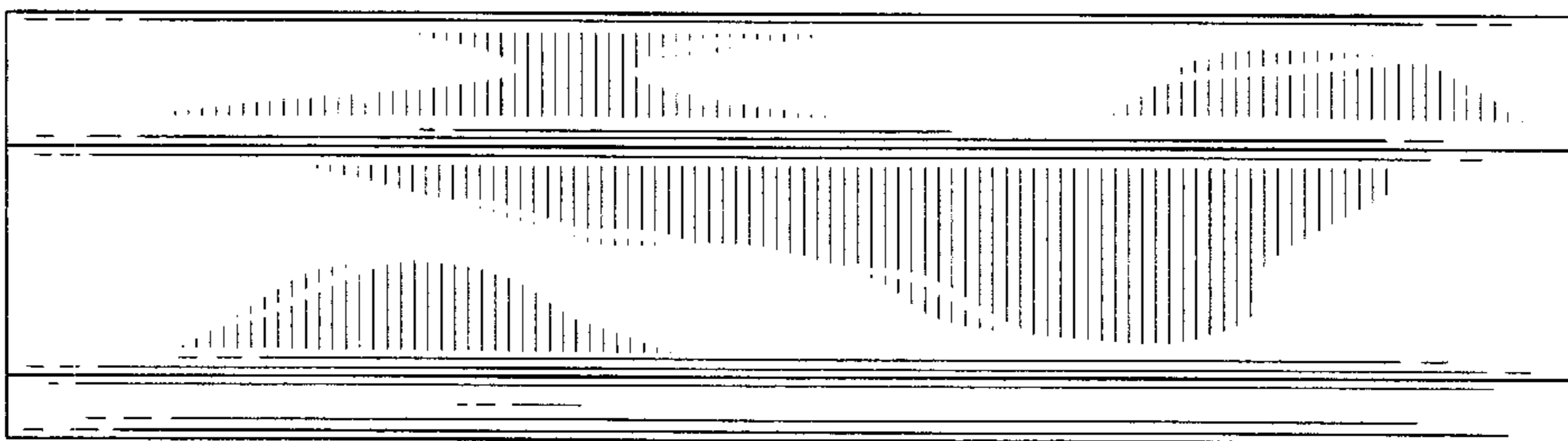


FIG. 8