

US00D544090S

(12) **United States Design Patent**  
**Tomasiak**

(10) **Patent No.:** **US D544,090 S**

(45) **Date of Patent:** **\*\* Jun. 5, 2007**

(54) **RADIAL DIFFUSER**

(75) Inventor: **Mark J. Tomasiak**, O Fallon, MO (US)

(73) Assignee: **Emerson Electric Co.**, St. Louis, MO (US)

(\*\*) Term: **14 Years**

(21) Appl. No.: **29/231,415**

(22) Filed: **Jun. 3, 2005**

(51) **LOC (8) Cl.** ..... **23-04**

(52) **U.S. Cl.** ..... **D23/388**

(58) **Field of Classification Search** ..... D23/388,  
D23/226, 213, 390; 55/486, 521; 454/308;  
422/177; 431/181, 351; 95/98; 60/737;  
123/557; 440/3; D32/18, 23, 25

See application file for complete search history.

(56) **References Cited**

**U.S. PATENT DOCUMENTS**

3,845,906	A *	11/1974	Runinger	.....	431/351
3,853,483	A *	12/1974	Cross, Jr.	.....	422/177
4,313,721	A *	2/1982	Henriques	.....	431/351
5,427,609	A *	6/1995	Zoglman et al.	.....	95/98
5,791,137	A *	8/1998	Evans et al.	.....	60/737
5,807,097	A *	9/1998	Dobbeling et al.	.....	431/351
5,975,887	A *	11/1999	Kamal et al.	.....	431/181
6,159,429	A *	12/2000	Bemel	.....	422/177

6,257,212	B1 *	7/2001	Hammond	.....	123/557
6,290,596	B1 *	9/2001	Birdsong et al.	.....	454/308
7,121,906	B2 *	10/2006	Sundel	.....	440/3
2001/0003893	A1 *	6/2001	Ramos et al.	.....	55/486
2003/0091480	A1 *	5/2003	Yamaguchi et al.	.....	422/177

\* cited by examiner

*Primary Examiner*—Louis Zarfaz

*Assistant Examiner*—David Muller

(74) *Attorney, Agent, or Firm*—Locke Liddell & Sapp LLP

(57) **CLAIM**

The ornamental design for a radial diffuser, as shown and described.

**DESCRIPTION**

FIG. 1 is a perspective view of the radial diffuser.

FIG. 2 is a side view of the radial diffuser.

FIG. 3 is an opposite side view of the radial diffuser.

FIG. 4 is a front view of the radial diffuser.

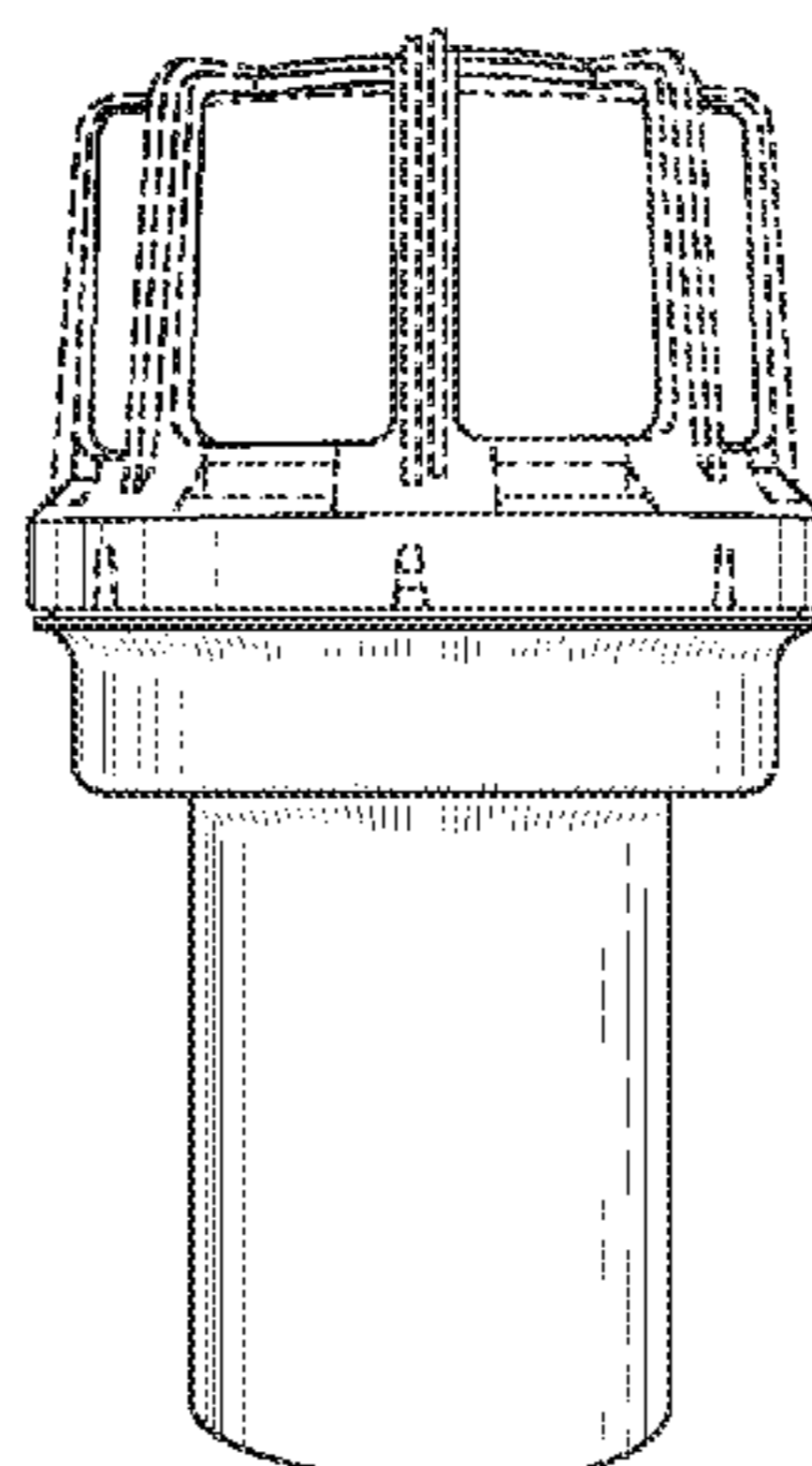
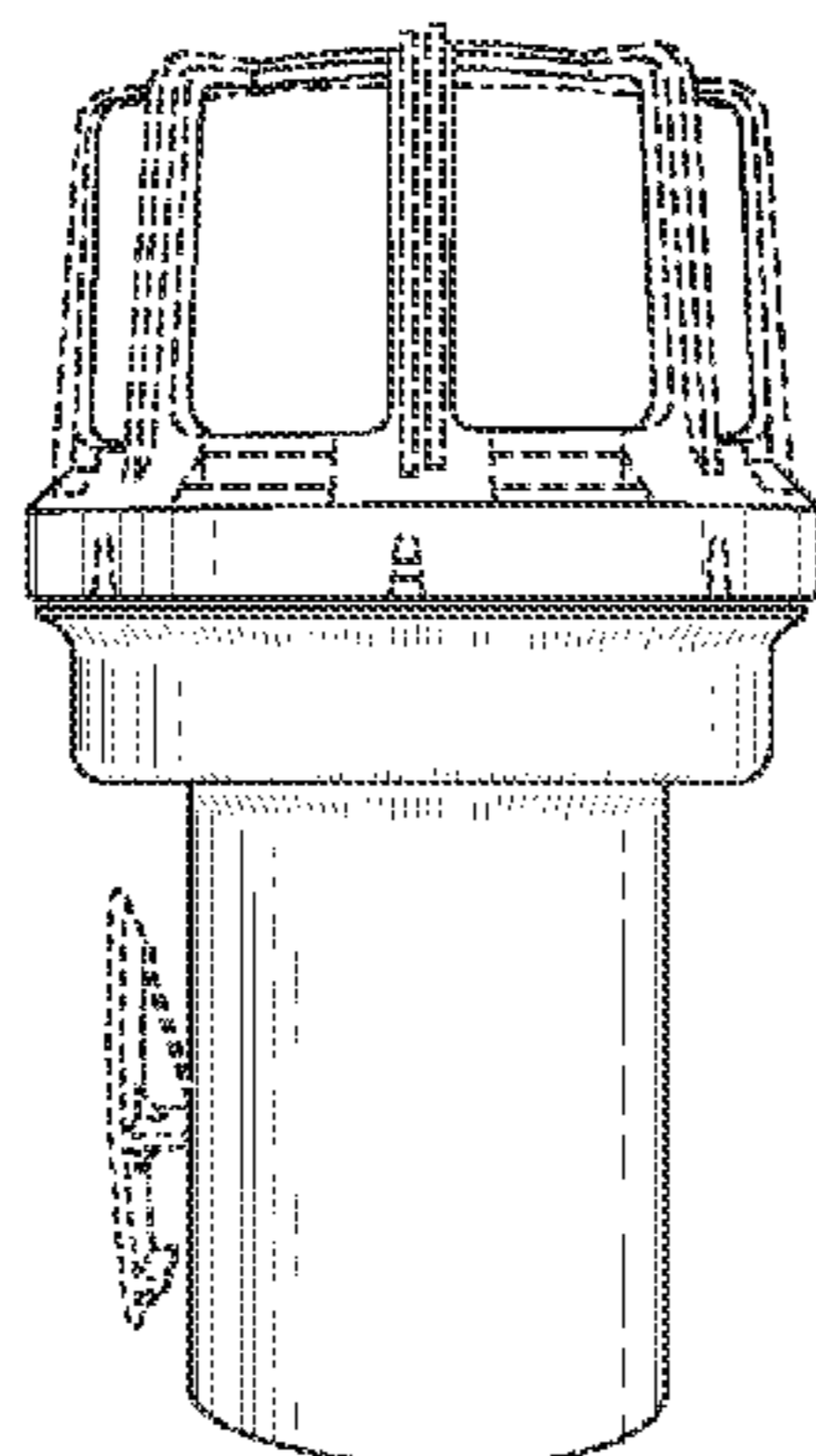
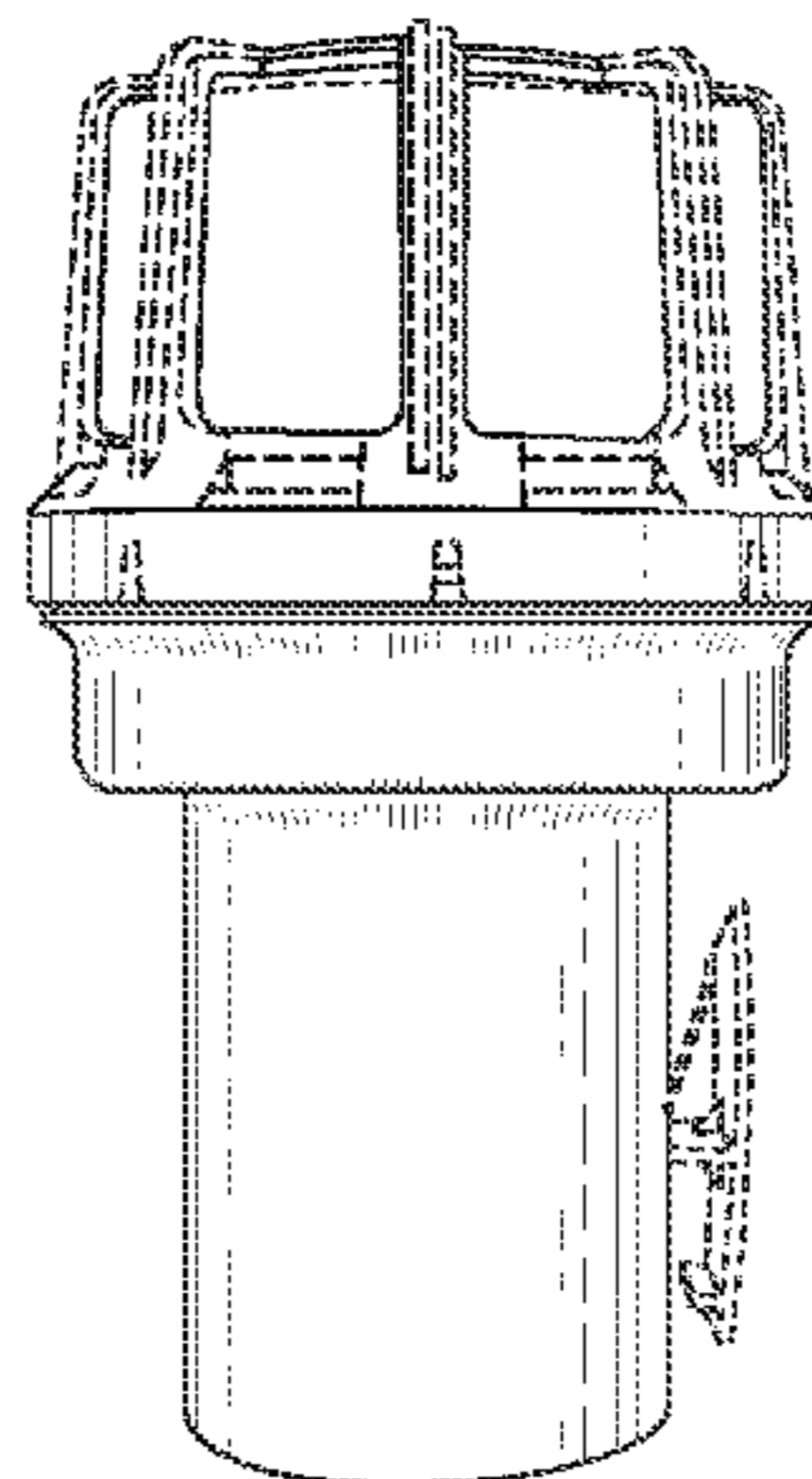
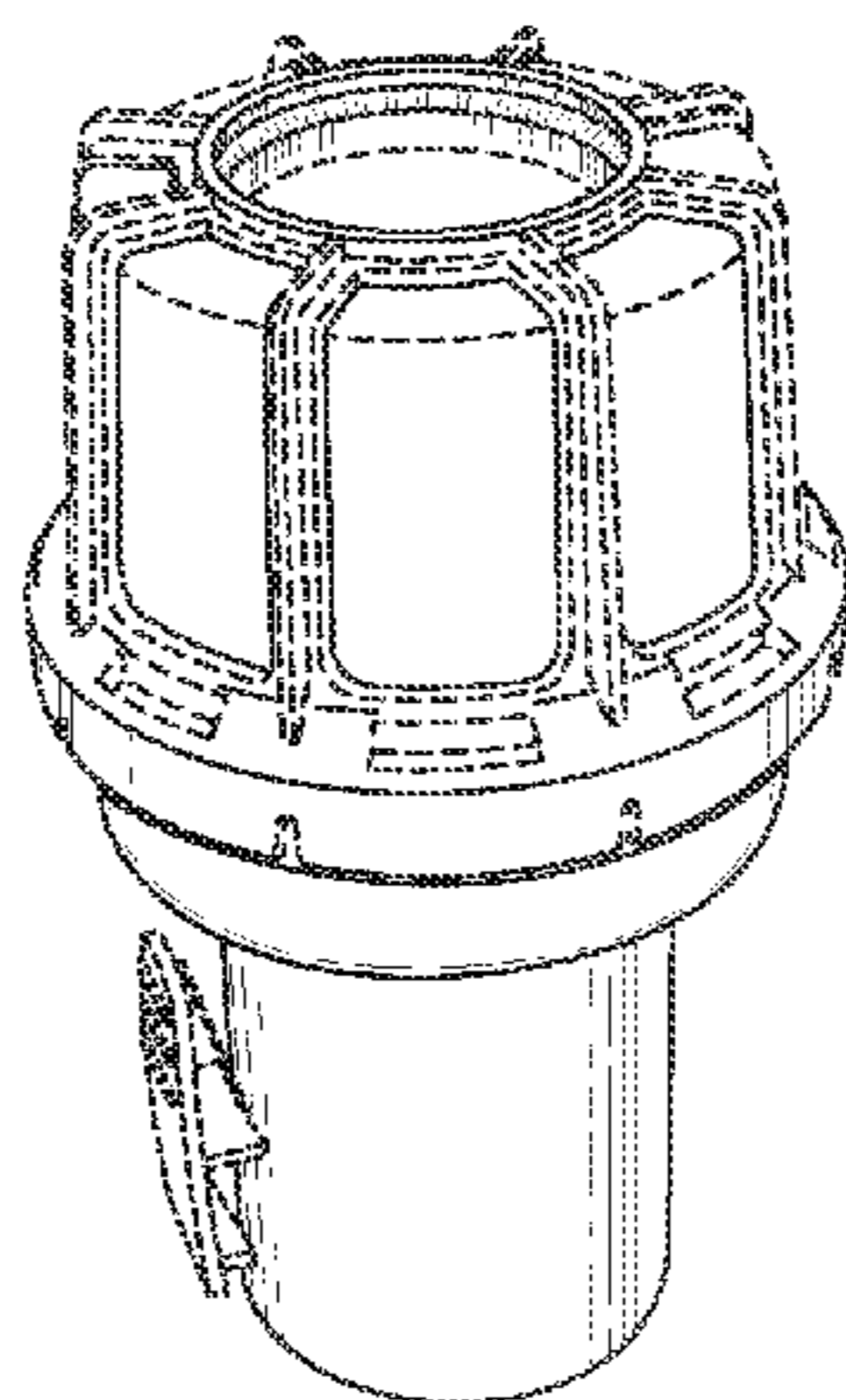
FIG. 5 is a back view of the radial diffuser.

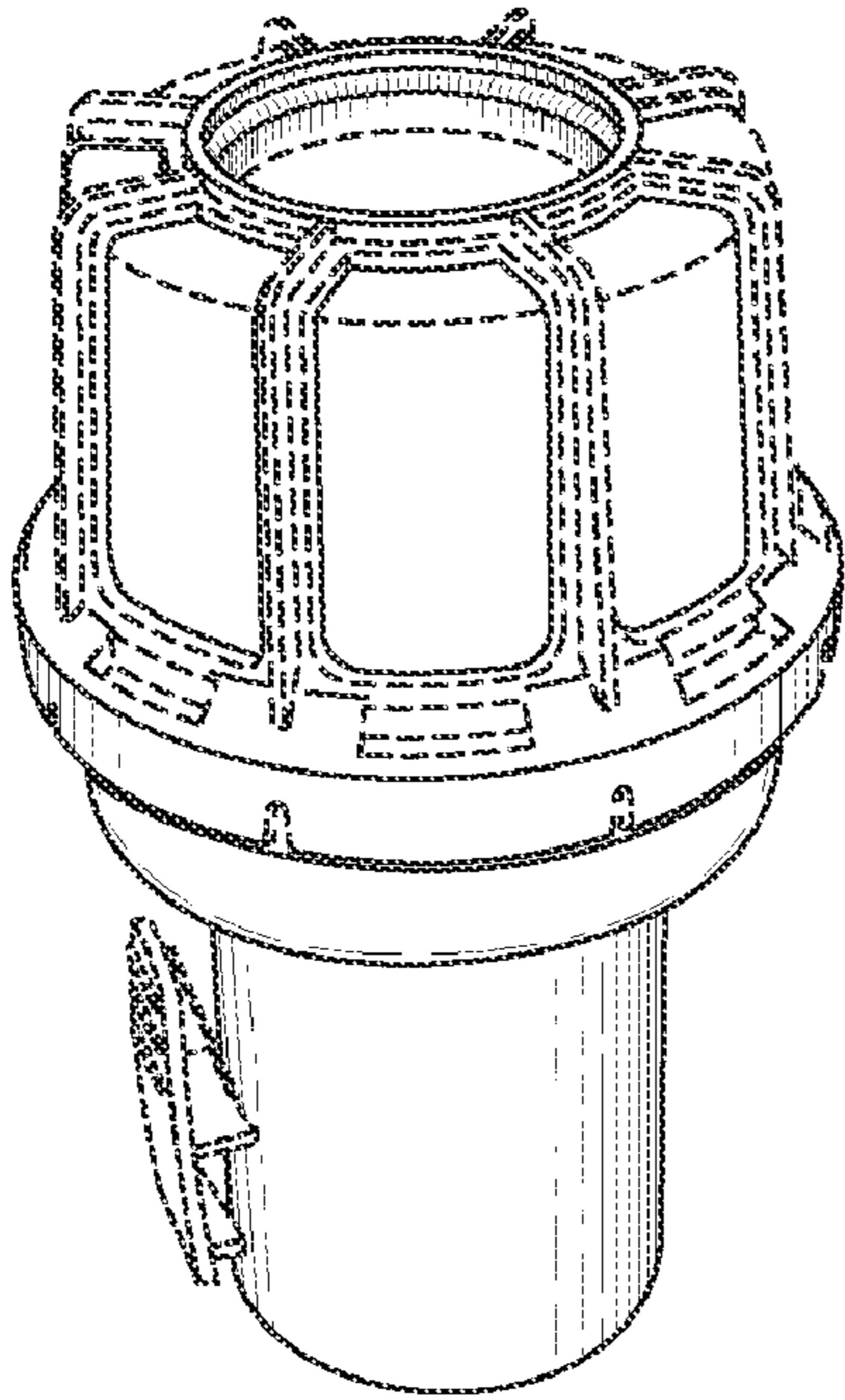
FIG. 6 is a top view of the radial diffuser; and,

FIG. 7 is bottom view of the radial diffuser.

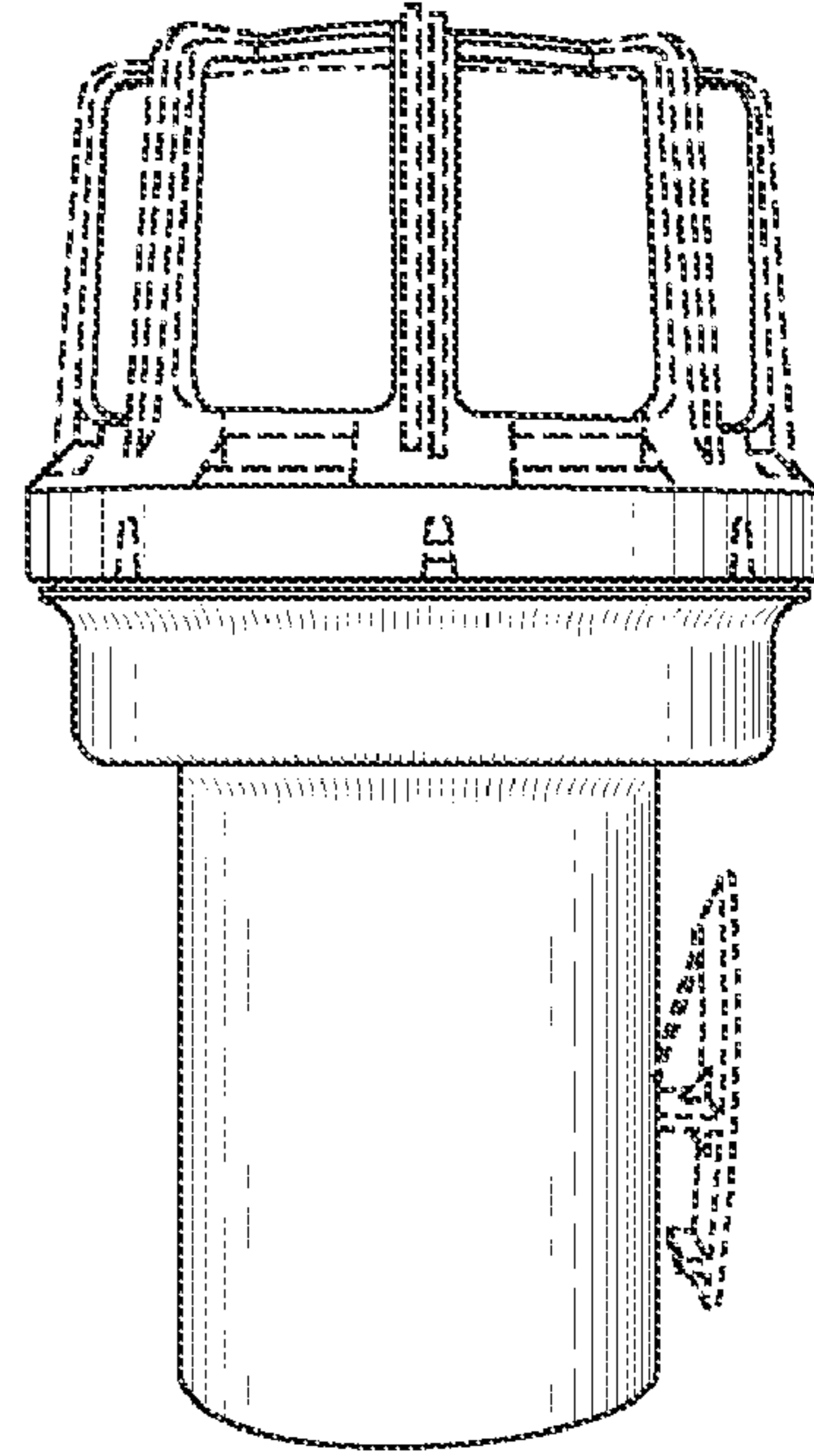
The broken lines of FIGS. 1–7 are for illustrative purposes only and form no part of the claimed design.

**1 Claim, 2 Drawing Sheets**

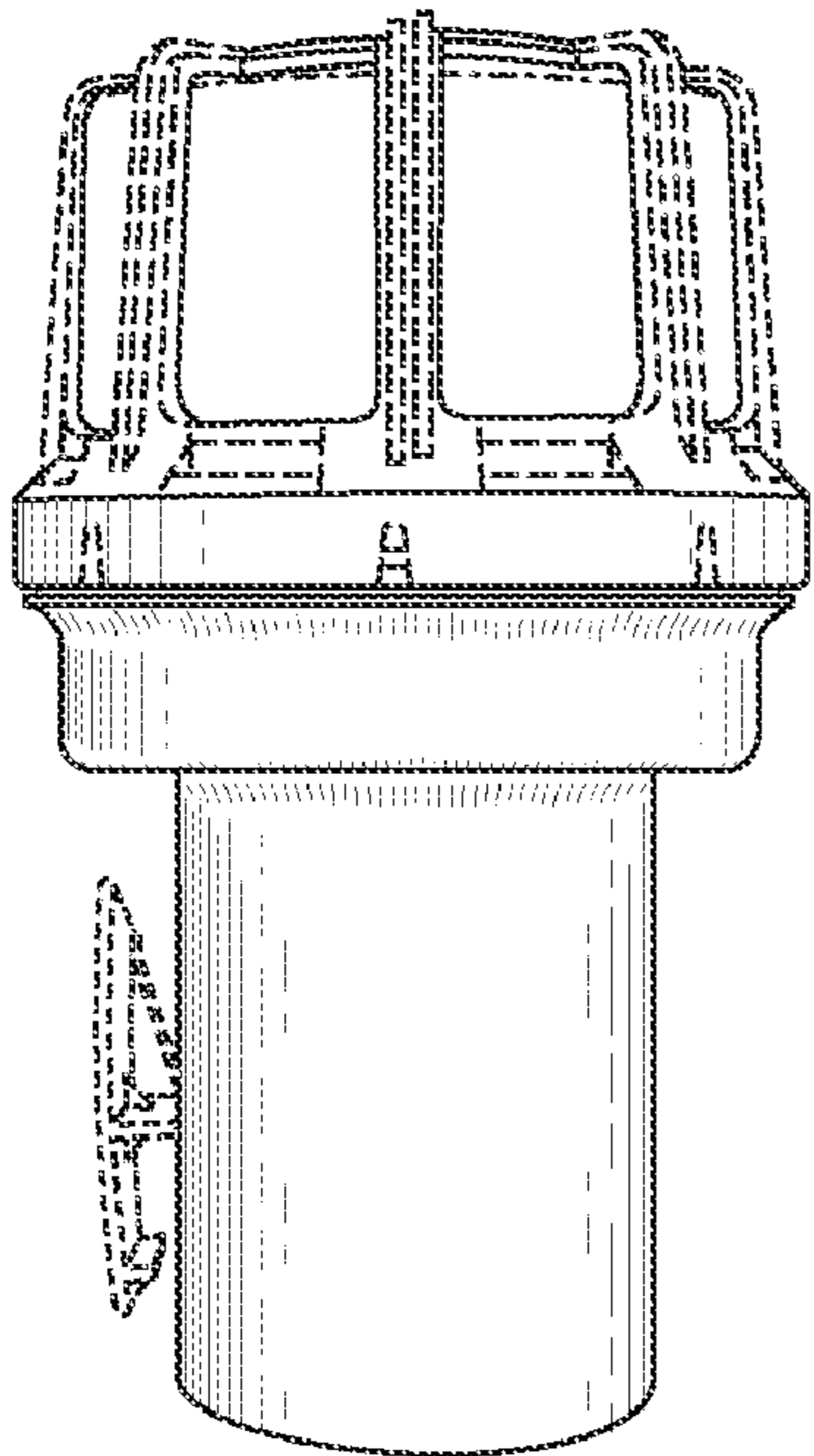




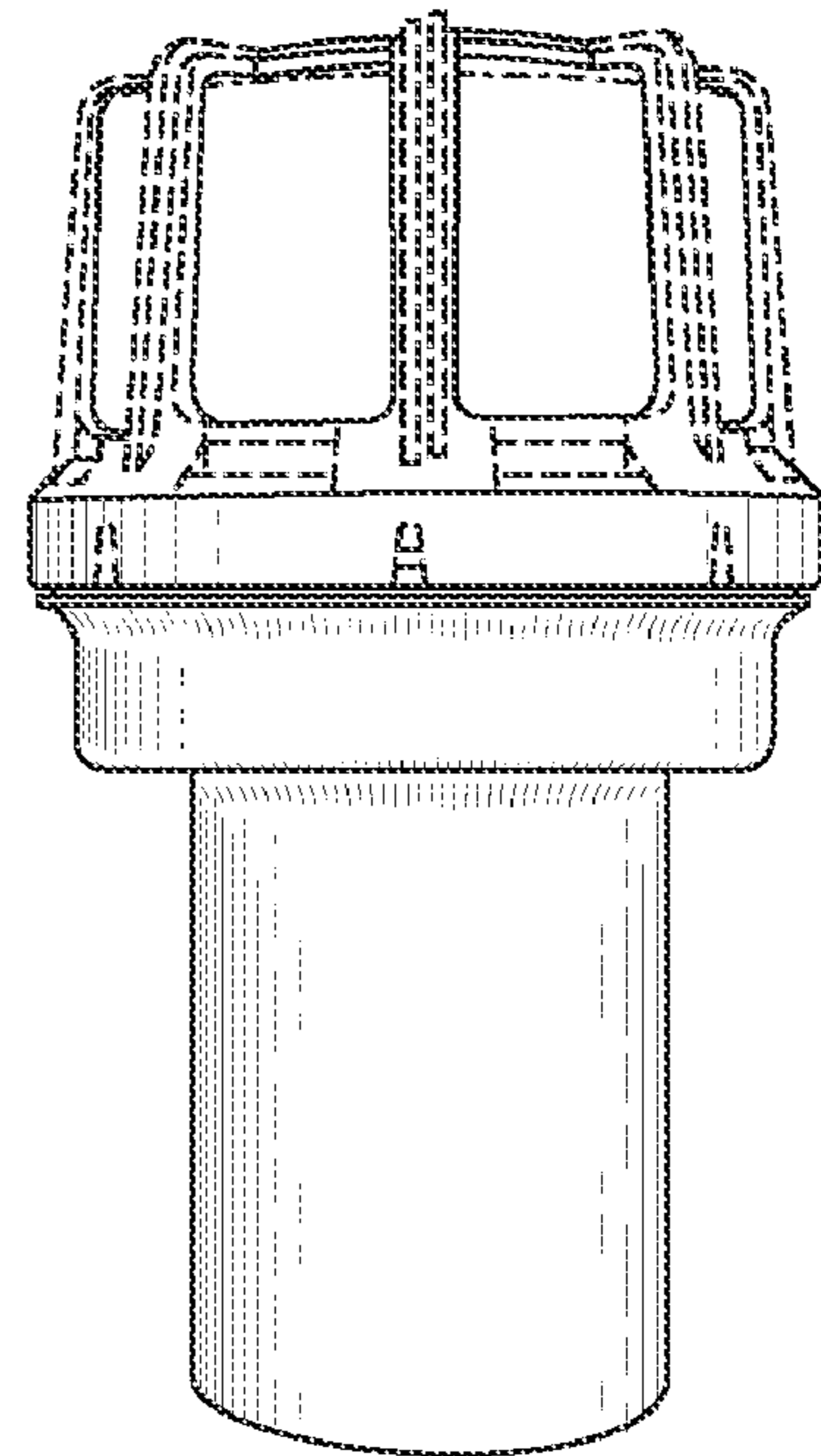
**FIG. 1**



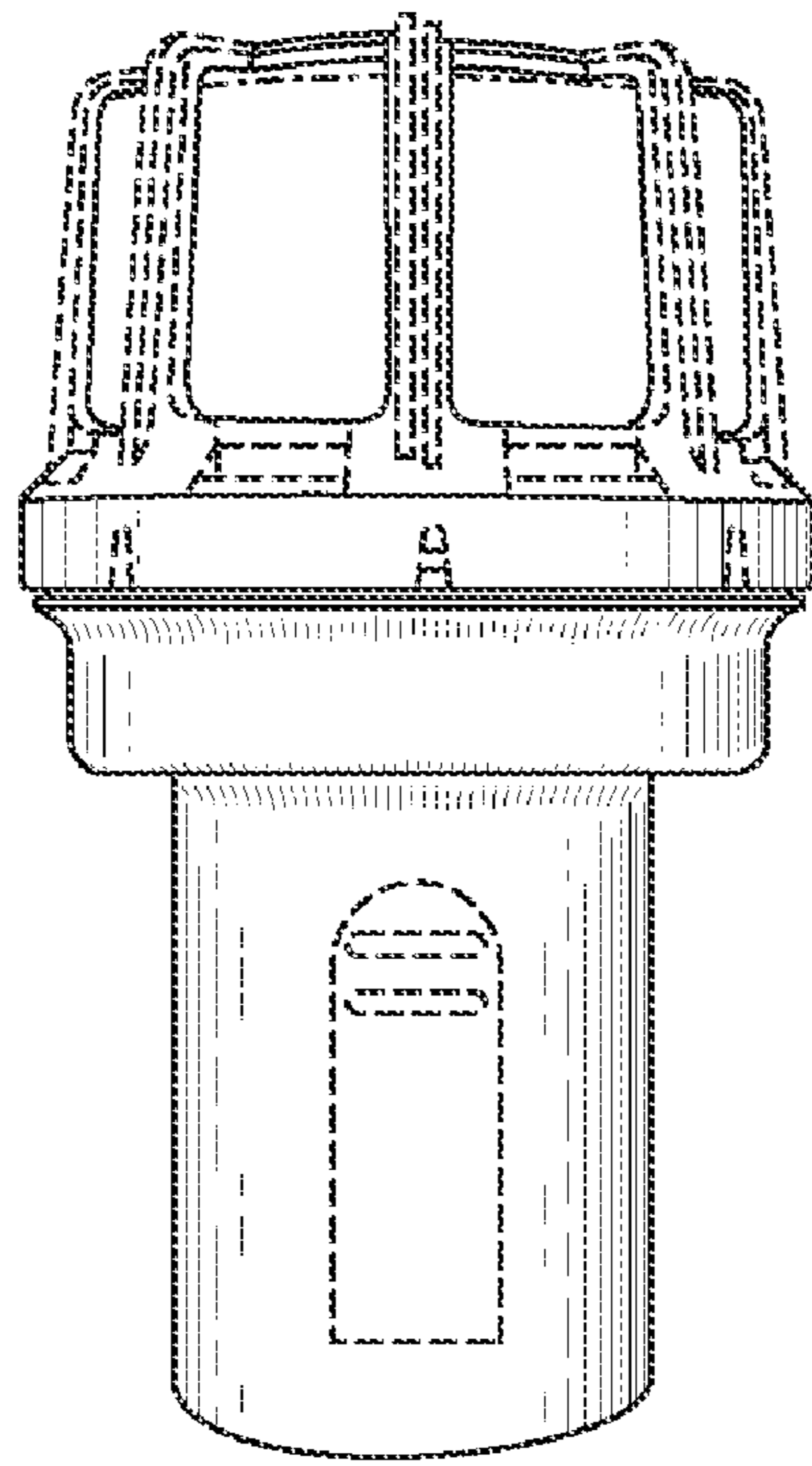
**FIG. 2**



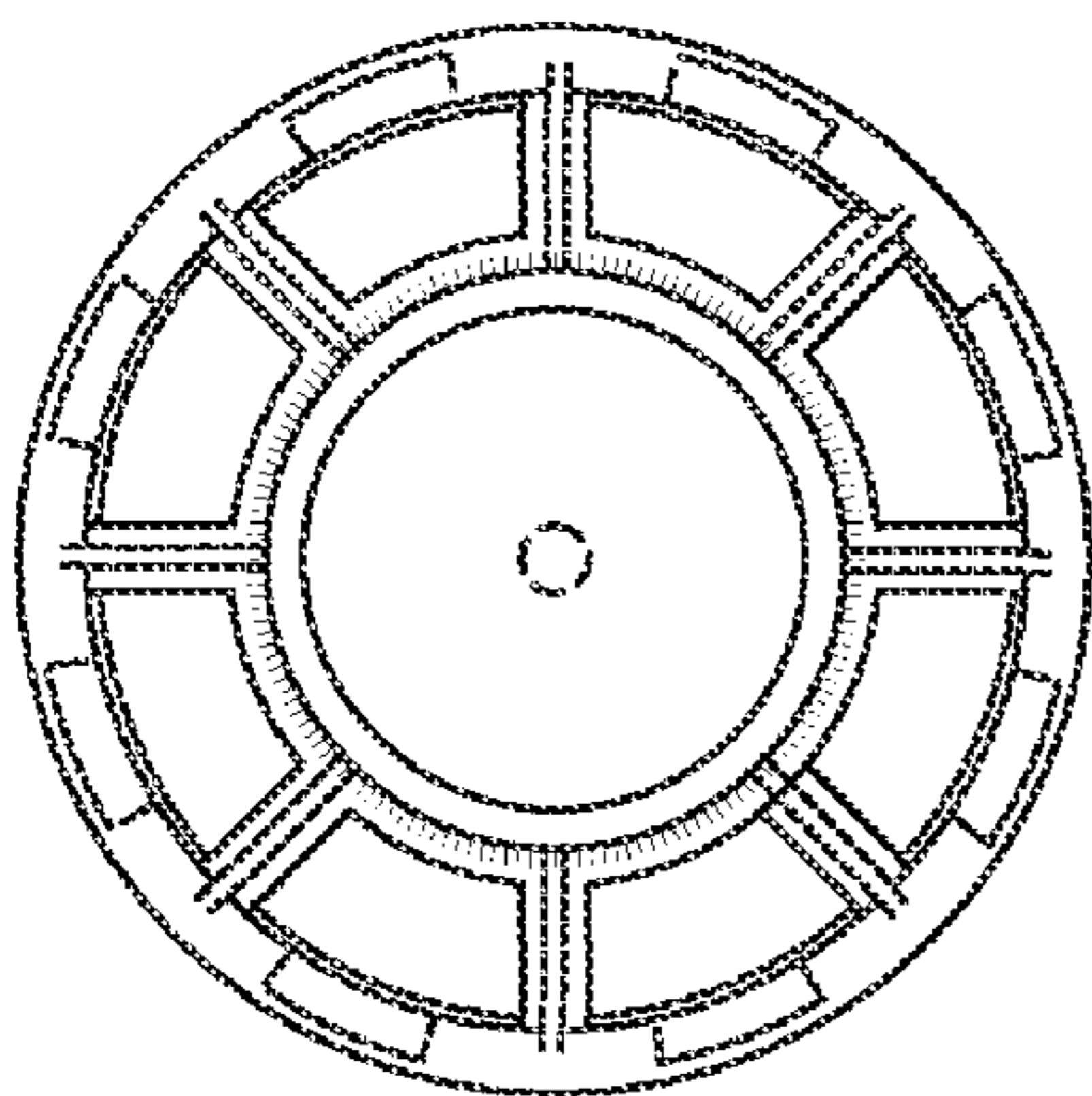
**FIG. 3**



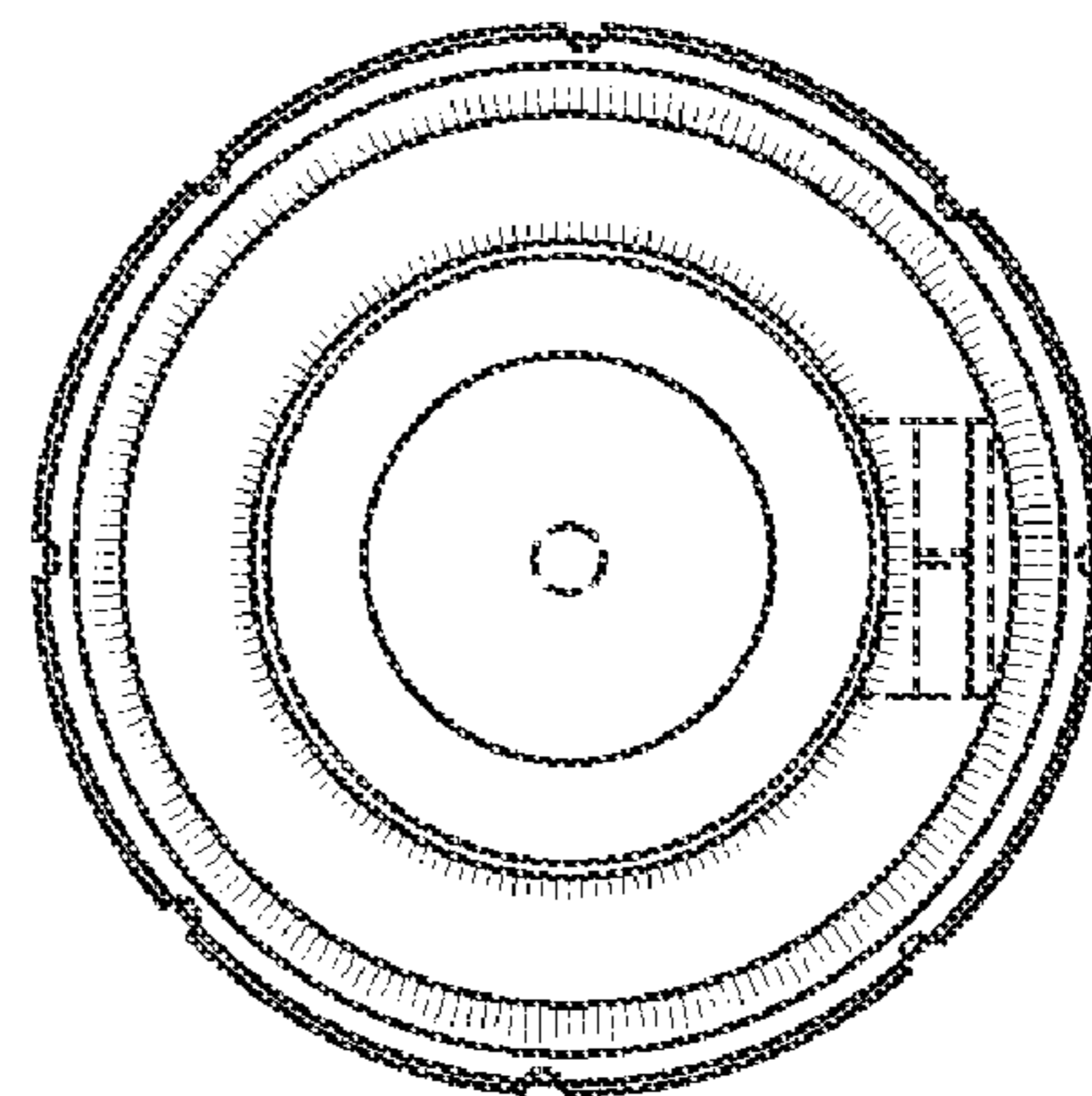
**FIG. 4**



**FIG. 5**



**FIG. 6**



**FIG. 7**