

US00D544088S

(12) **United States Design Patent**
Wu

(10) **Patent No.:** **US D544,088 S**

(45) **Date of Patent:** **** Jun. 5, 2007**

(54) **AIR FRESHENER DEVICE**

(75) Inventor: **Henry Wu, Hsin-Tien (TW)**

(73) Assignee: **Aromate Industries Co., Ltd. (TW)**

(**) Term: **14 Years**

(21) Appl. No.: **29/262,777**

(22) Filed: **Jul. 10, 2006**

(51) **LOC (8) Cl.** **23-99**

(52) **U.S. Cl.** **D23/368**

(58) **Field of Classification Search** 392/341,
392/342, 386, 390, 392-394, 401-406; D28/5,
D28/6; 239/34-35, 53-60, 135-136, 326-327,
239/338; D23/355-369; 261/DIG. 17, DIG. 42,
261/DIG. 65, DIG. 88, DIG. 89

See application file for complete search history.

(56) **References Cited**

U.S. PATENT DOCUMENTS

D159,407 S *	7/1950	Costello	D23/366
2,513,919 A *	7/1950	Costello	392/392
D212,753 S *	11/1968	Tughan	D23/369
D246,986 S *	1/1978	Costello	D23/360
4,084,079 A *	4/1978	Costello	392/392
D254,930 S *	5/1980	Mandon et al.	D23/369
D254,931 S *	5/1980	Mandon et al.	D23/369
4,391,781 A *	7/1983	van Lit	422/125
D296,820 S *	7/1988	Suhajda	D23/363
D349,157 S *	7/1994	Rymer	D23/362

5,752,658 A *	5/1998	Gibbs et al.	239/56
D400,662 S *	11/1998	Davis	D23/366
D403,420 S *	12/1998	Vullion	D23/367
6,103,201 A *	8/2000	Green	422/124
6,148,143 A *	11/2000	Steinel, Jr.	392/390
D441,441 S *	5/2001	Upson	D23/366
D443,924 S *	6/2001	Renella	D23/366
D455,484 S *	4/2002	Hensel	D23/366
D455,485 S *	4/2002	Hensel	D23/366
D489,123 S *	4/2004	Basaganas	D23/366
D491,257 S *	6/2004	Picken, Jr.	D23/366

* cited by examiner

Primary Examiner—Sandra Snapp

(74) *Attorney, Agent, or Firm*—Ira S. Dorman

(57) **CLAIM**

The ornamental design for an air freshener device, as shown.

DESCRIPTION

FIG. 1 is perspective view of an air freshener device embodying the present invention;

FIG. 2 is a front view of the air freshener device;

FIG. 3 is a rear view of the air freshener device;

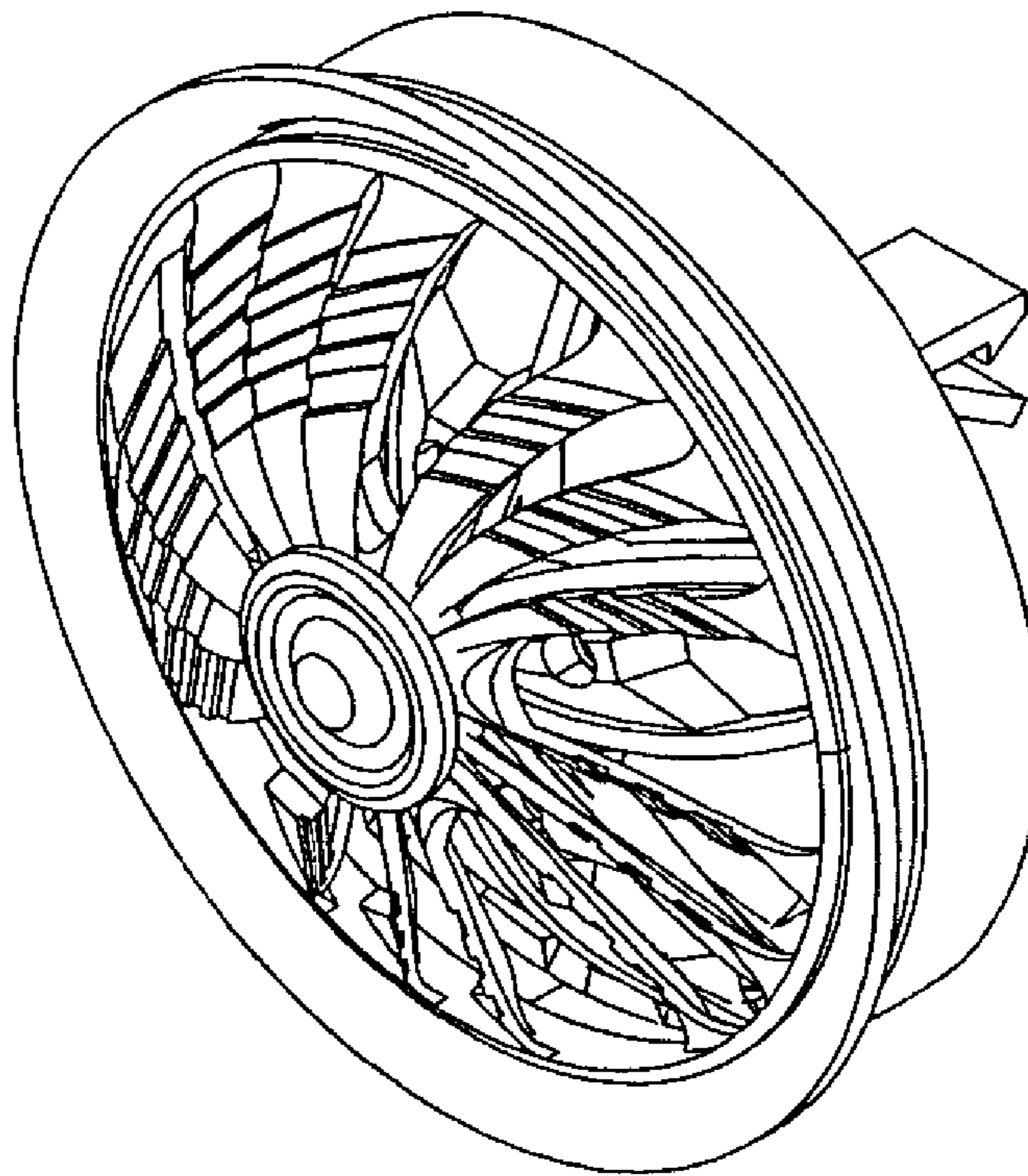
FIG. 4 is a left side view of the air freshener device;

FIG. 5 is a right side view of the air freshener device;

FIG. 6 is a top view of the air freshener device; and,

FIG. 7 is a bottom view of the air freshener device.

1 Claim, 7 Drawing Sheets



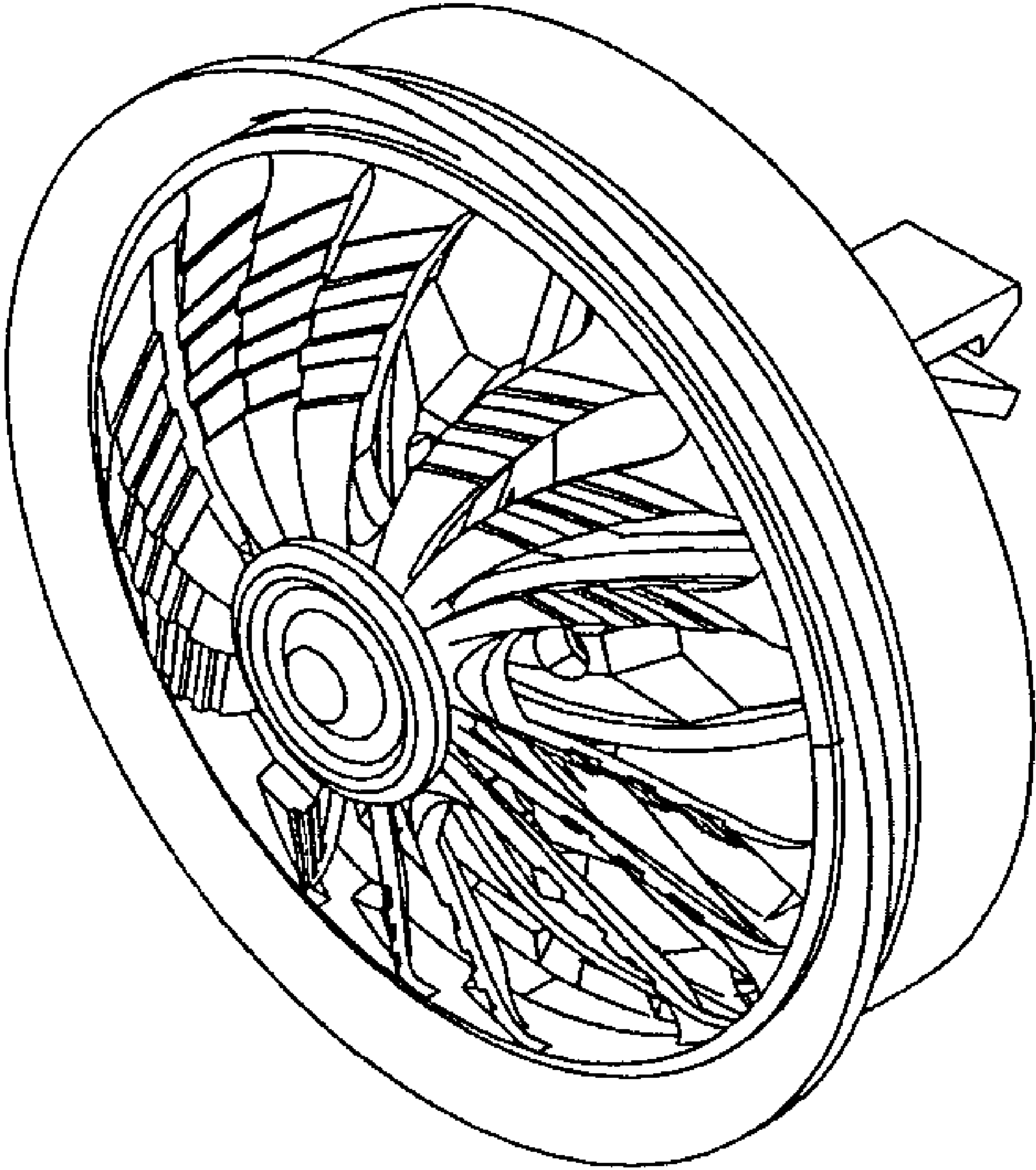


FIG 1

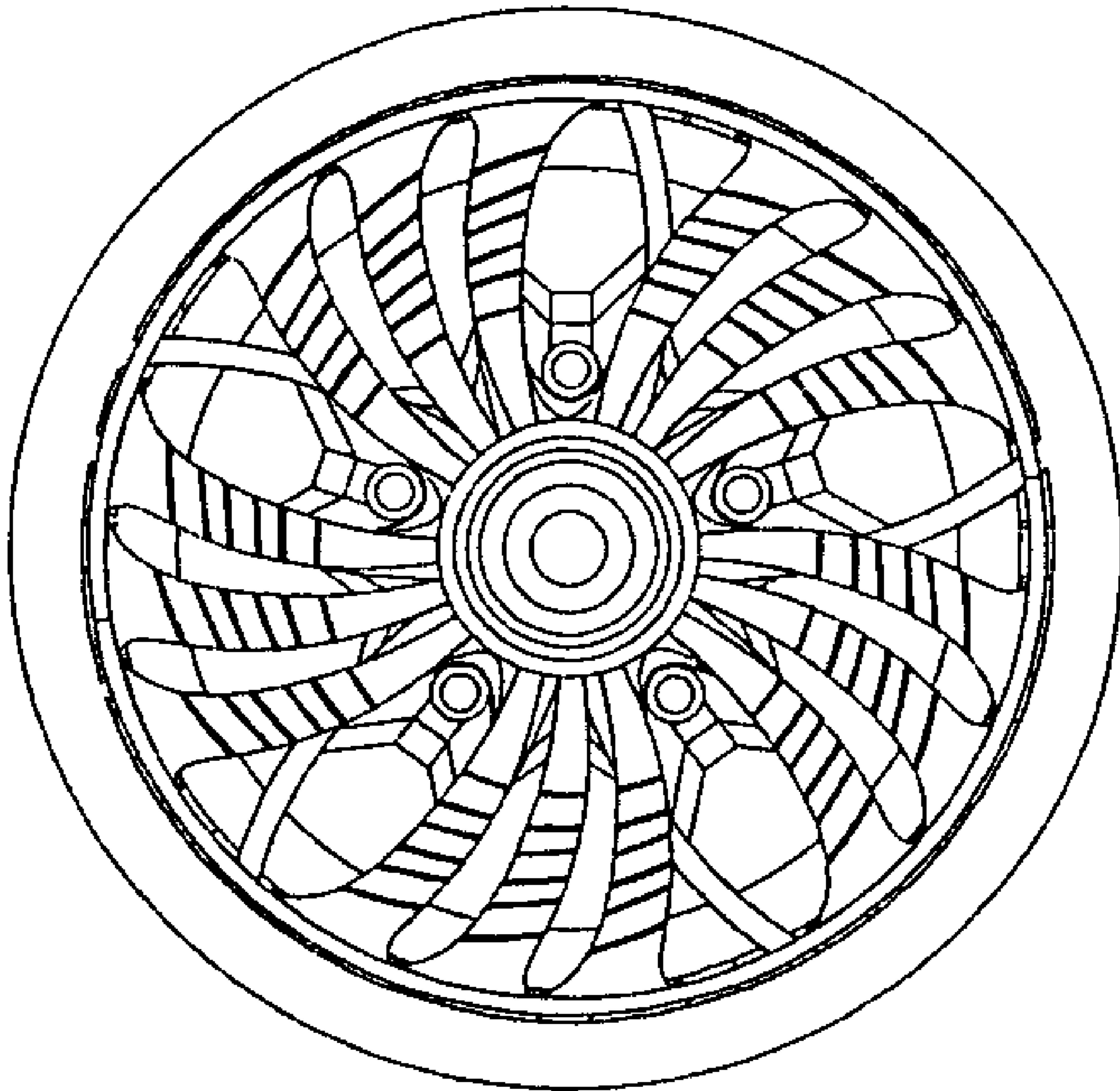


FIG2

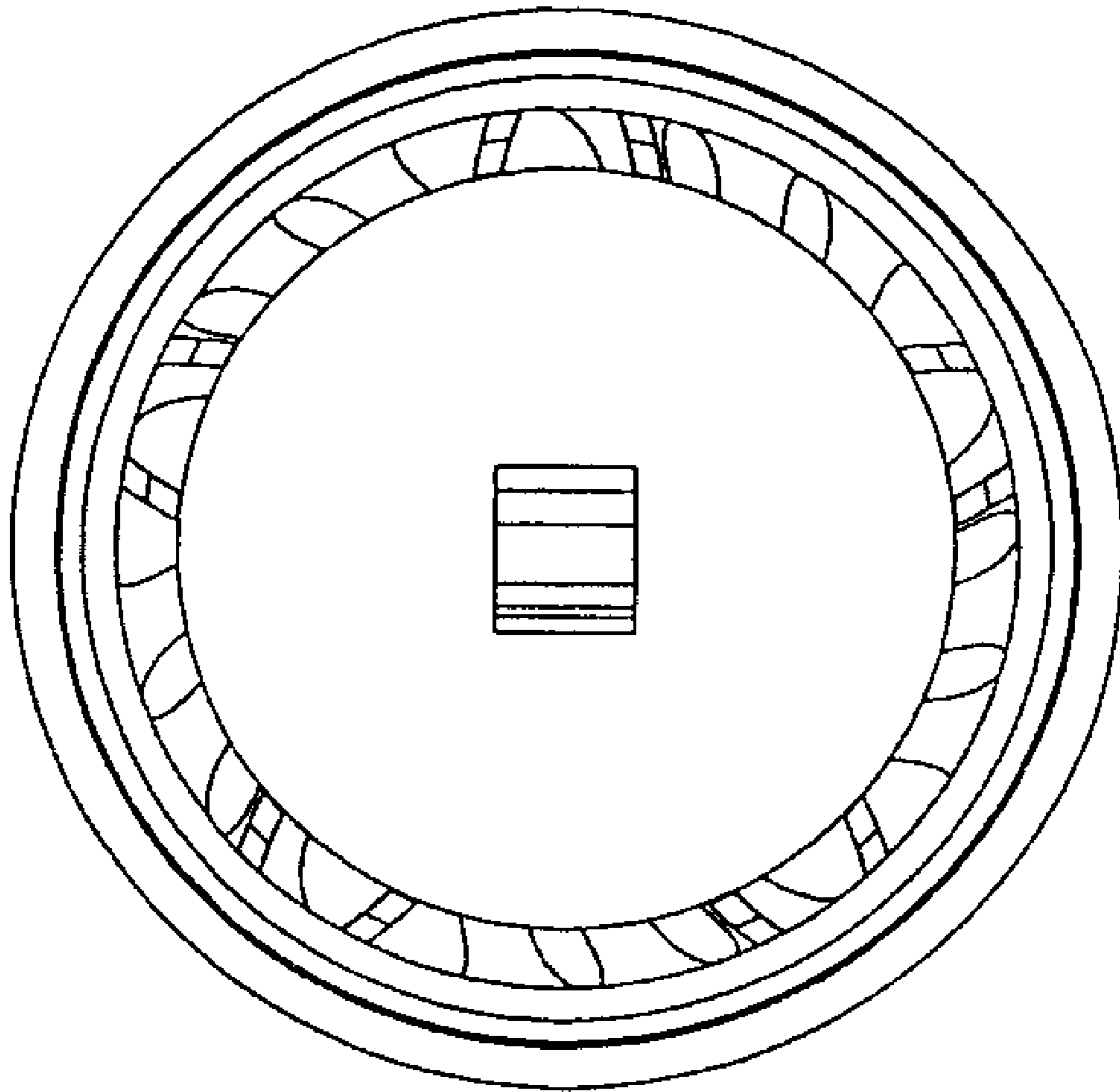


FIG 3

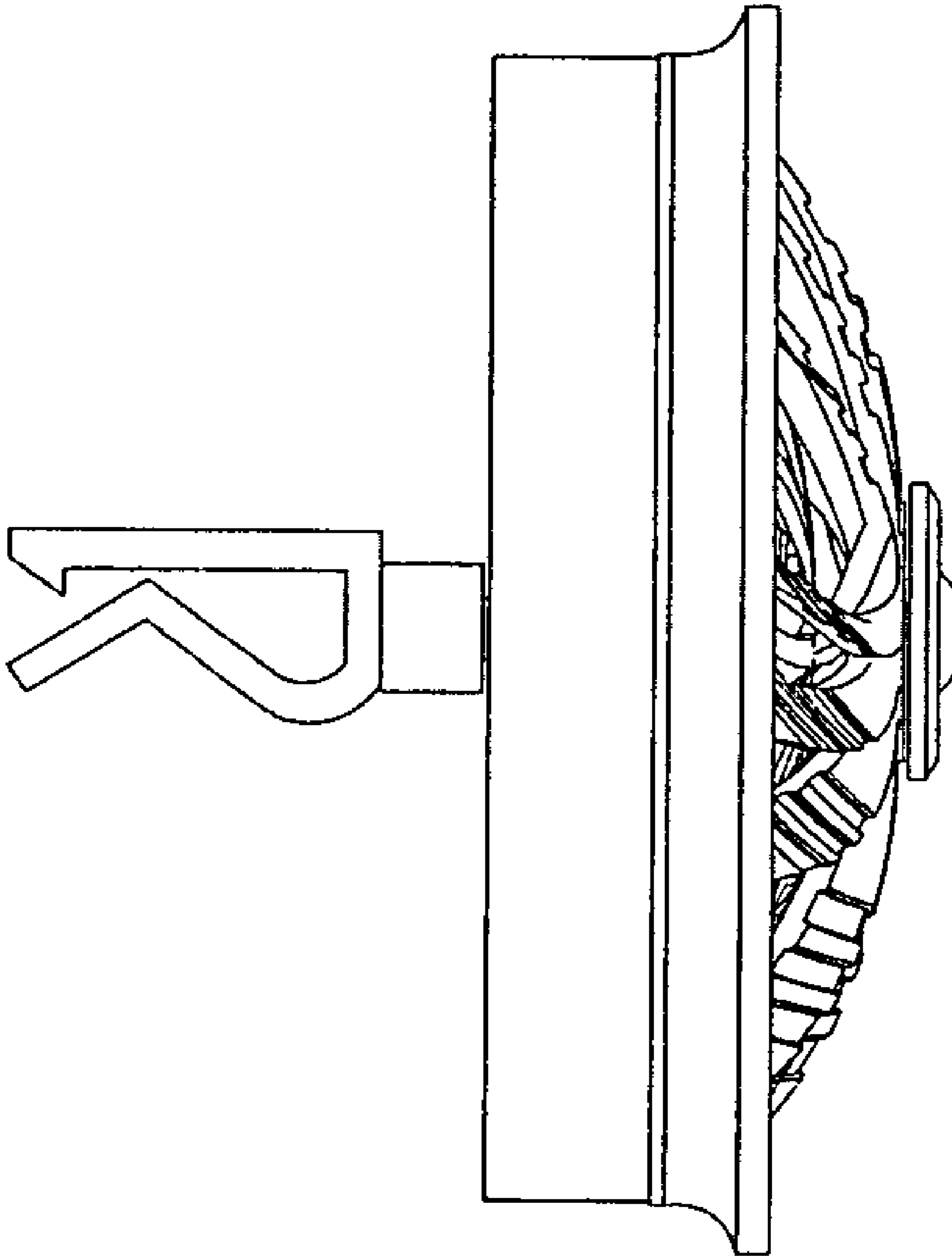


FIG 4

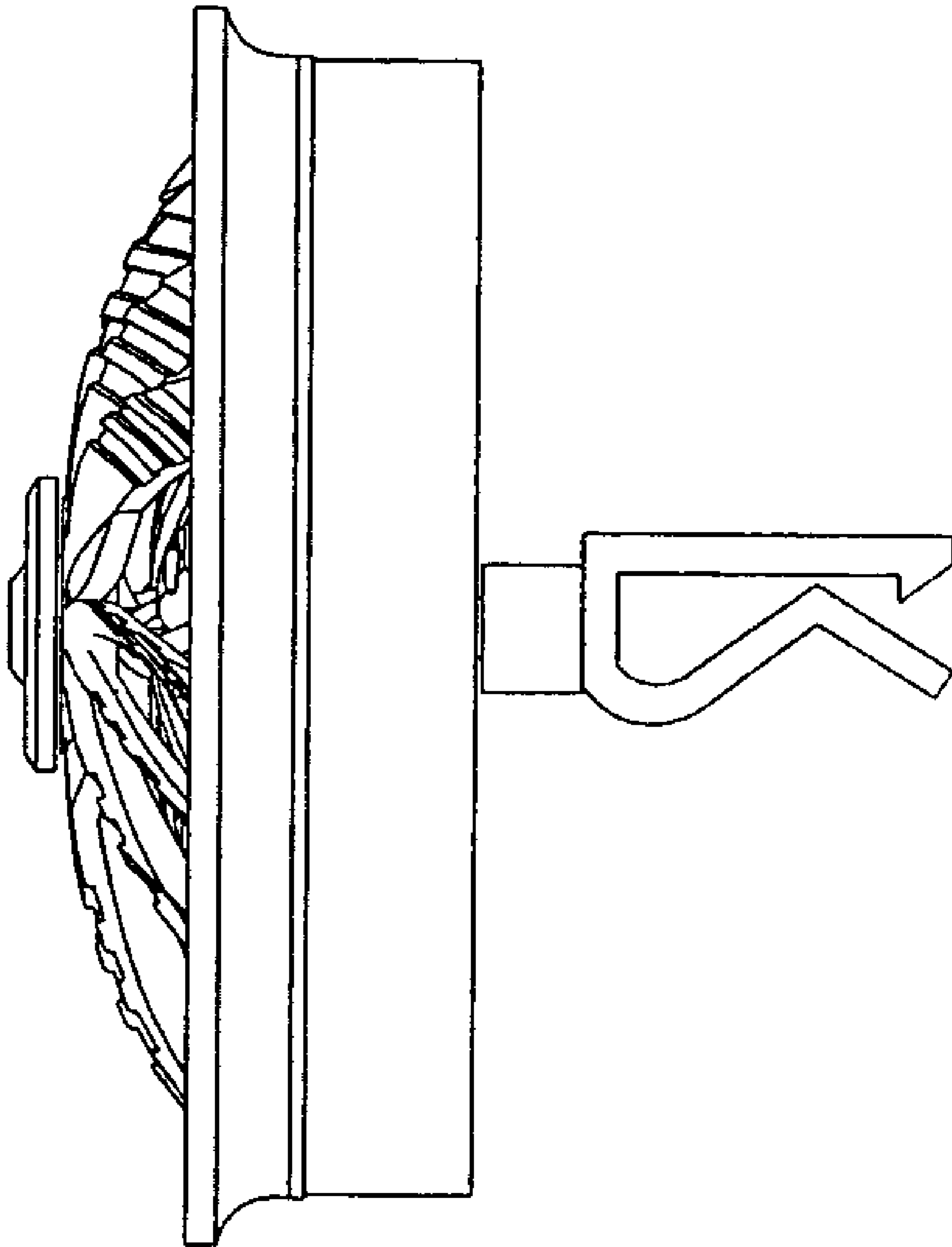


FIG 5

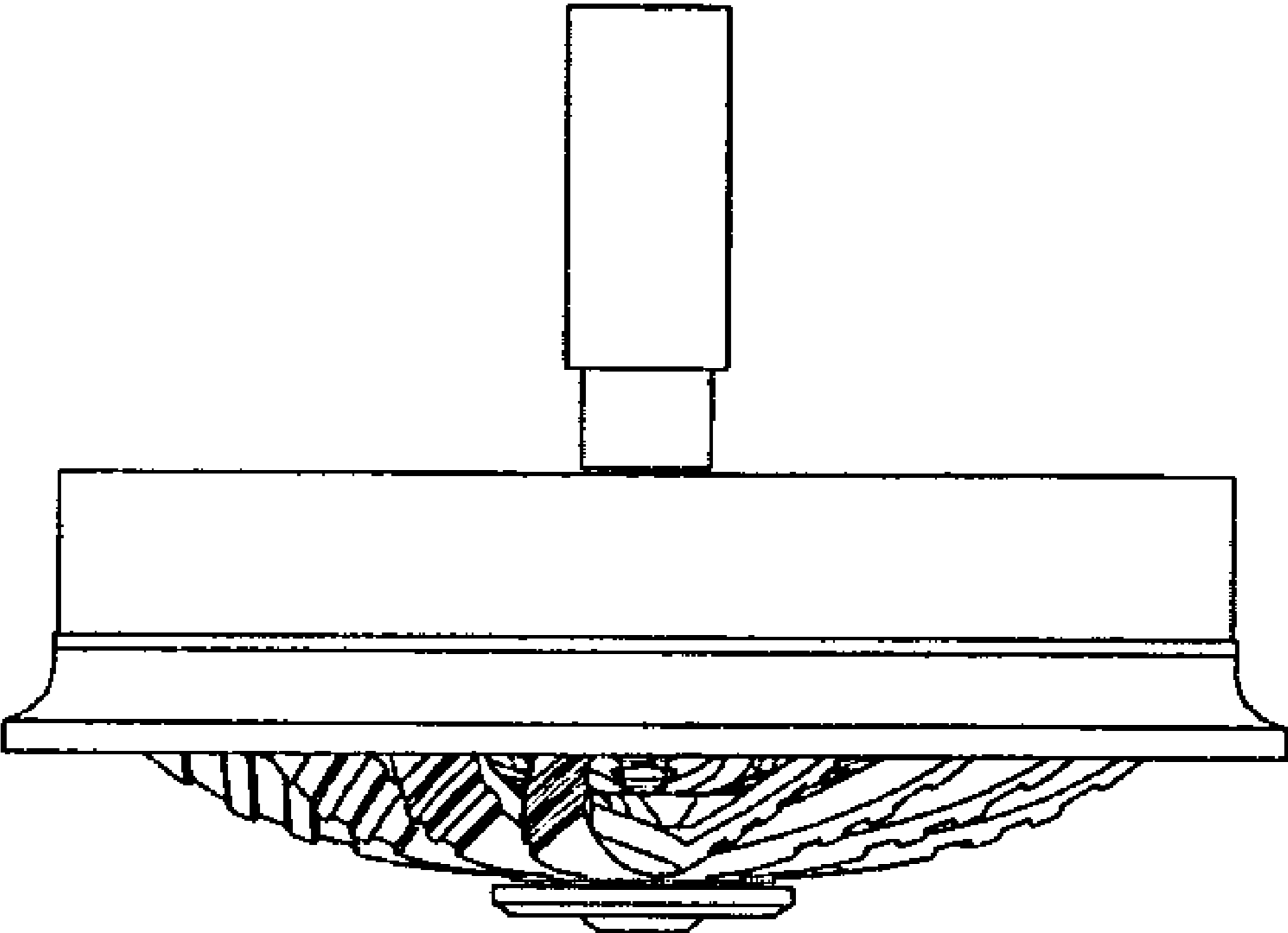


FIG 6

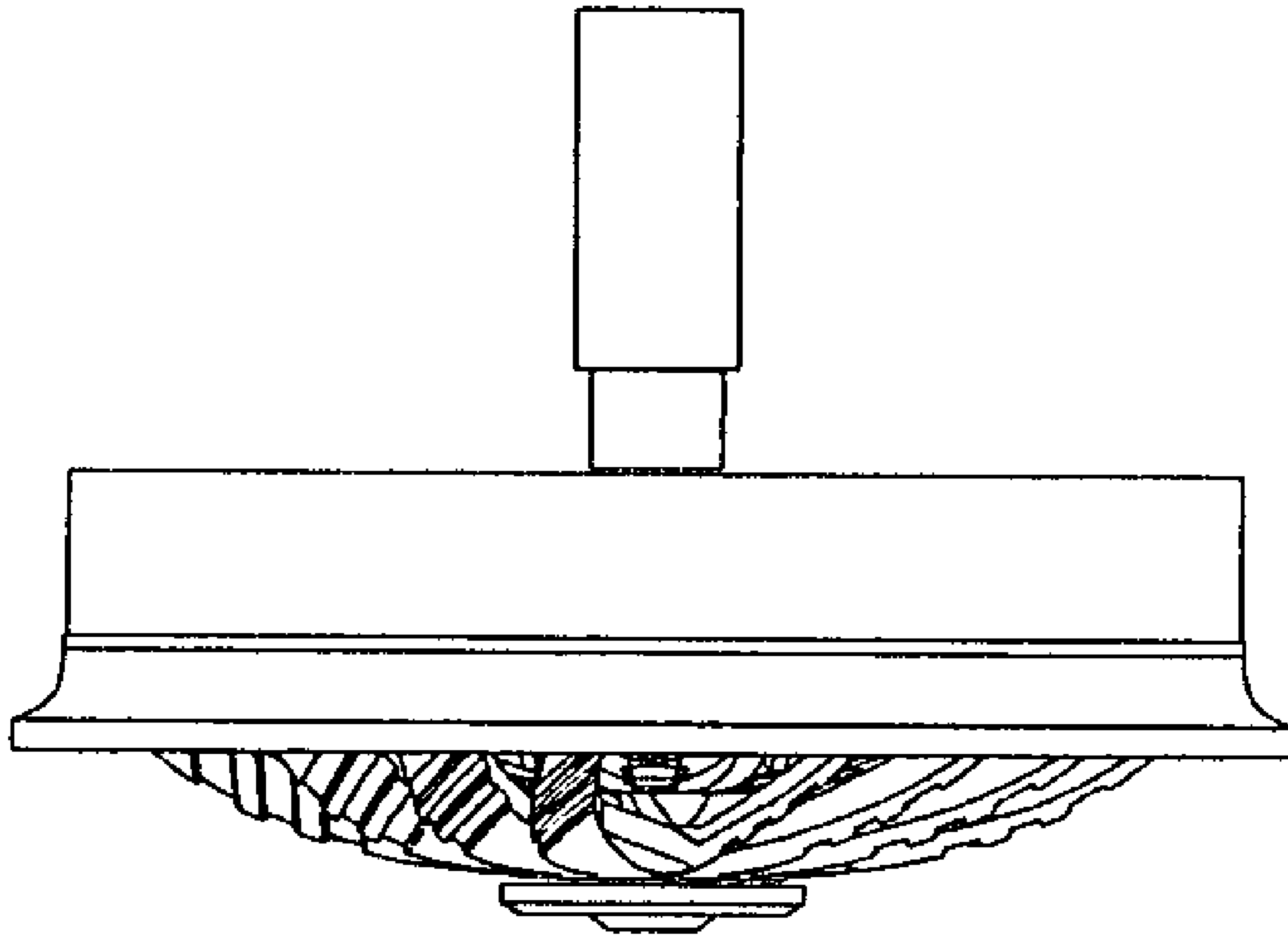


FIG 7