



US00D544087S

(12) **United States Design Patent**  
**Baraky et al.**

(10) **Patent No.:** **US D544,087 S**

(45) **Date of Patent:** **\*\* Jun. 5, 2007**

(54) **ELECTRIC AIR FRESHENER**  
(75) Inventors: **David Baraky**, New Albany, OH (US);  
**Robert Bussom**, Pickerington, OH (US)  
(73) Assignee: **Bath & Body Works Brand**  
**Management, Inc.**, Reynoldsburg, OH  
(US)

5,522,008 A \* 5/1996 Bernard ..... 392/392  
5,574,821 A \* 11/1996 Babasade ..... 392/392  
D390,939 S \* 2/1998 Colandro ..... D23/366  
D460,170 S \* 7/2002 Hart et al. .... D23/366  
D508,285 S \* 8/2005 Velicescu ..... D23/366  
D508,559 S \* 8/2005 Spiegel et al. .... D23/366

(\*\*) Term: **14 Years**

\* cited by examiner

*Primary Examiner*—Sandra Snapp

(74) *Attorney, Agent, or Firm*—Ward & Olivo

(21) Appl. No.: **29/265,227**

(57) **CLAIM**

(22) Filed: **Aug. 28, 2006**

The ornamental design for an electric air freshener, as shown and described.

(51) **LOC (8) Cl.** ..... **23-99**

(52) **U.S. Cl.** ..... **D23/366**

(58) **Field of Classification Search** ..... 392/341,  
392/342, 386, 390, 392-394, 401-406; D28/5,  
D28/6; 239/34-35, 53-60, 135-136, 326-327,  
239/338; D23/355-369; 261/DIG. 17, DIG. 42,  
261/DIG. 65, DIG. 88, DIG. 89  
See application file for complete search history.

**DESCRIPTION**

FIG. 1 is a front perspective view of an electric air freshener showing our new design;  
FIG. 2 is a front view thereof;  
FIG. 3 is a back view thereof;  
FIG. 4 is a right side view thereof;  
FIG. 5 is a left side view thereof;  
FIG. 6 is a top view thereof, and,  
FIG. 7 is a bottom view thereof.

(56) **References Cited**

**U.S. PATENT DOCUMENTS**

D228,287 S \* 9/1973 Costello ..... D23/360  
D262,652 S \* 1/1982 Jaeschke et al. .... D23/369  
5,136,684 A \* 8/1992 Lonker et al. .... 392/392  
D357,330 S \* 4/1995 Wong et al. .... D26/51  
D366,521 S \* 1/1996 Wijaranakula ..... D23/366

The broken lines shown in the drawings are for illustrative purposes only and form no part of the claimed design.

**1 Claim, 3 Drawing Sheets**

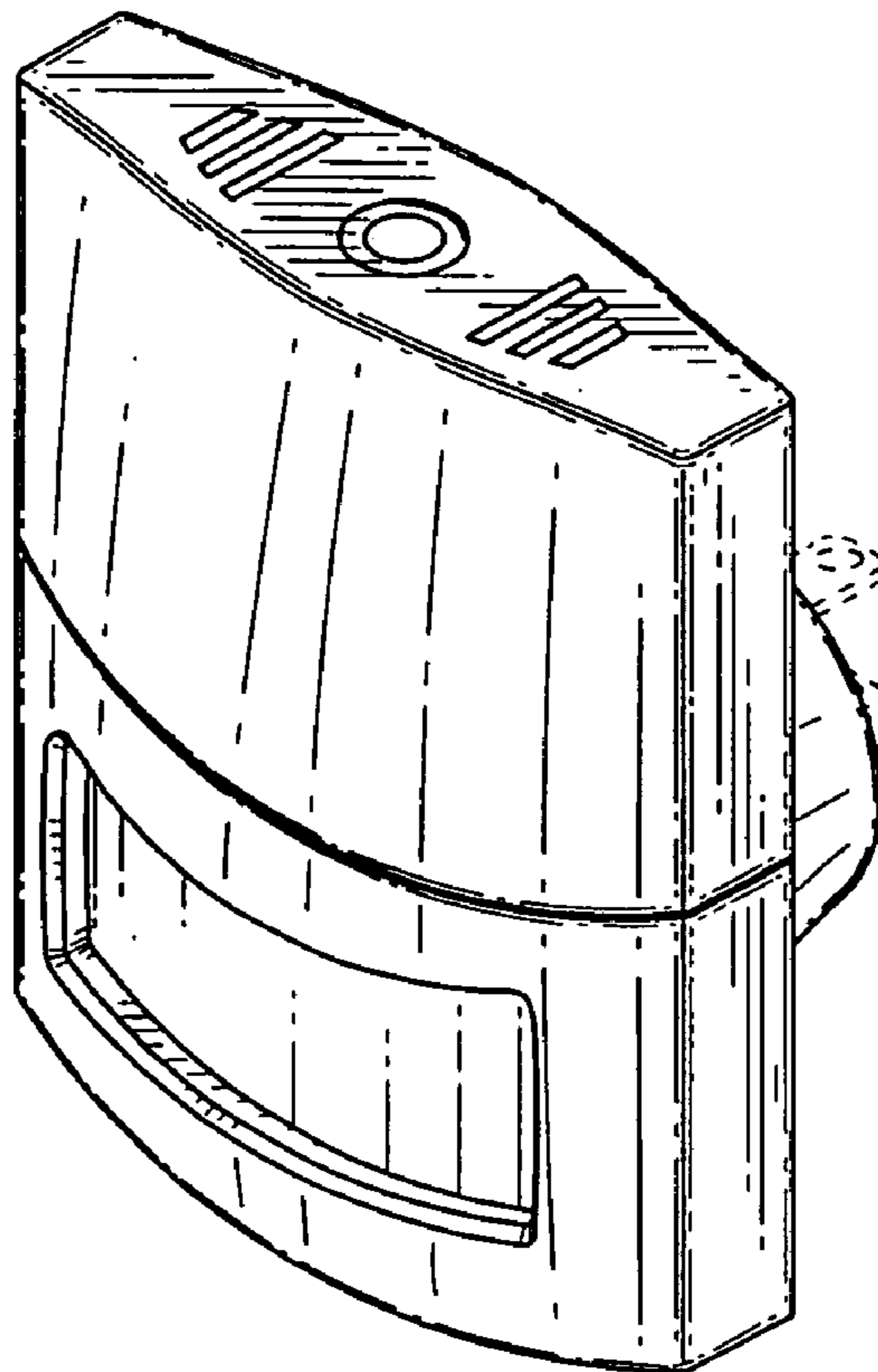


FIG. 1

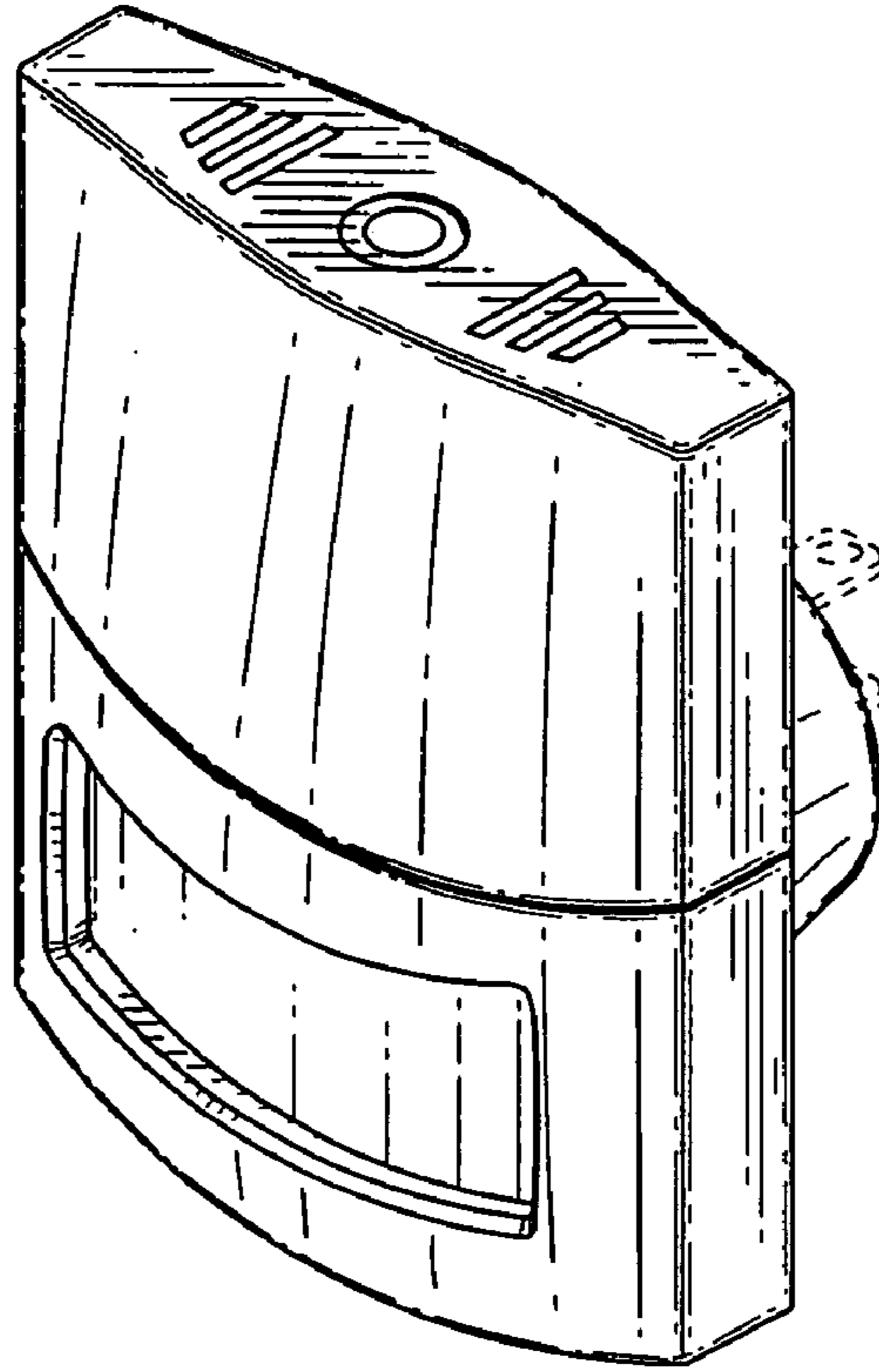


FIG. 2

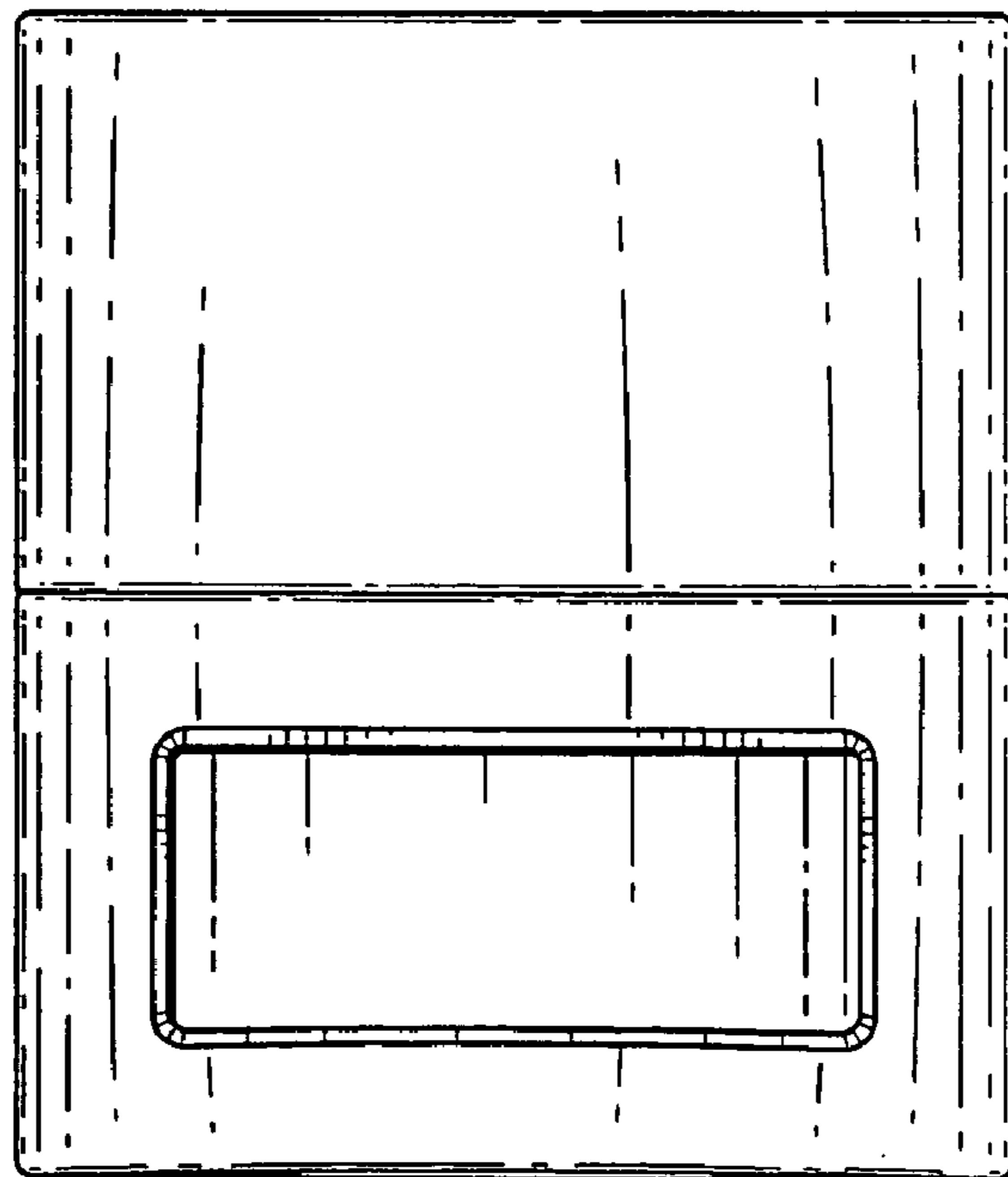


FIG. 3

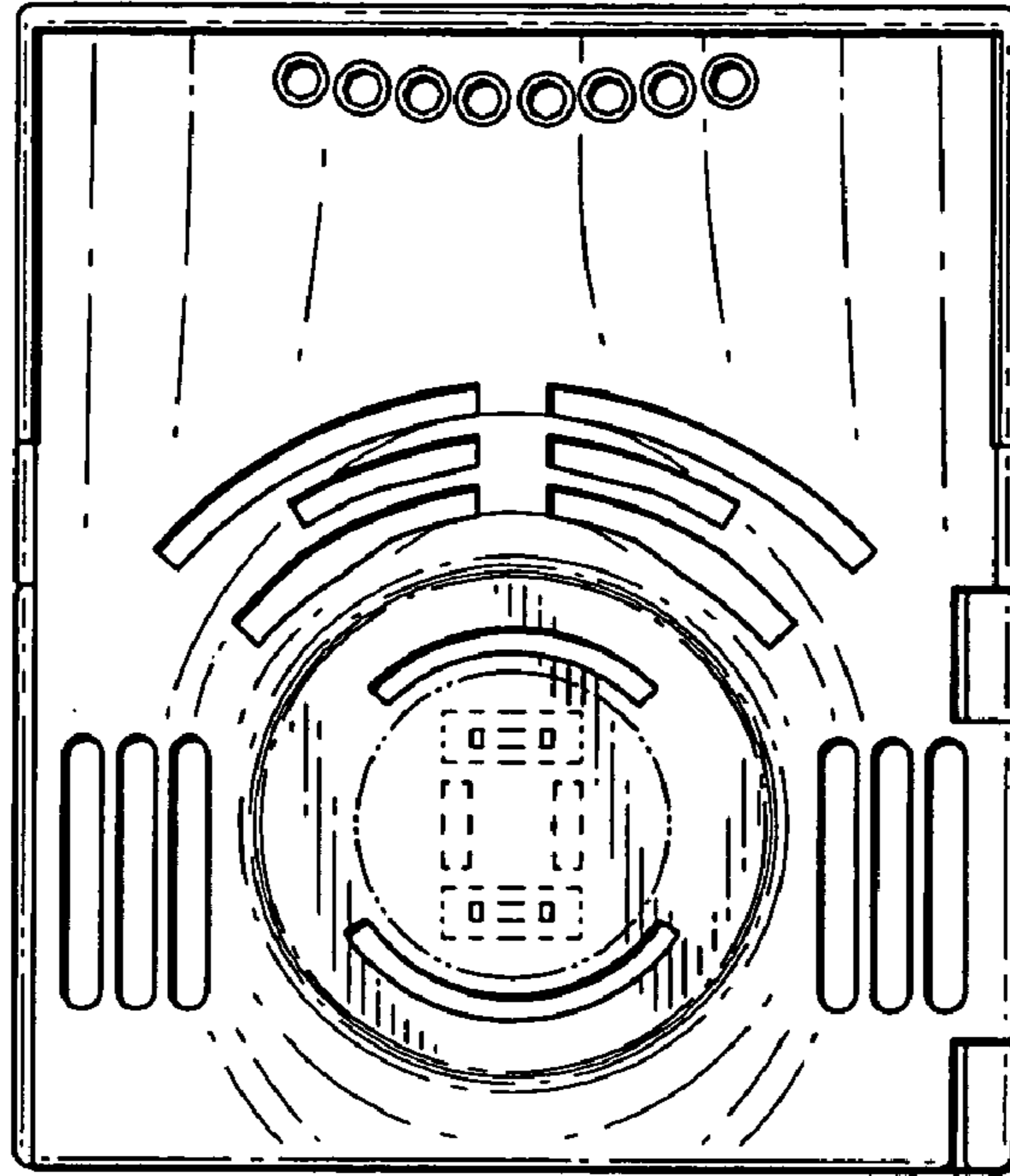


FIG. 4

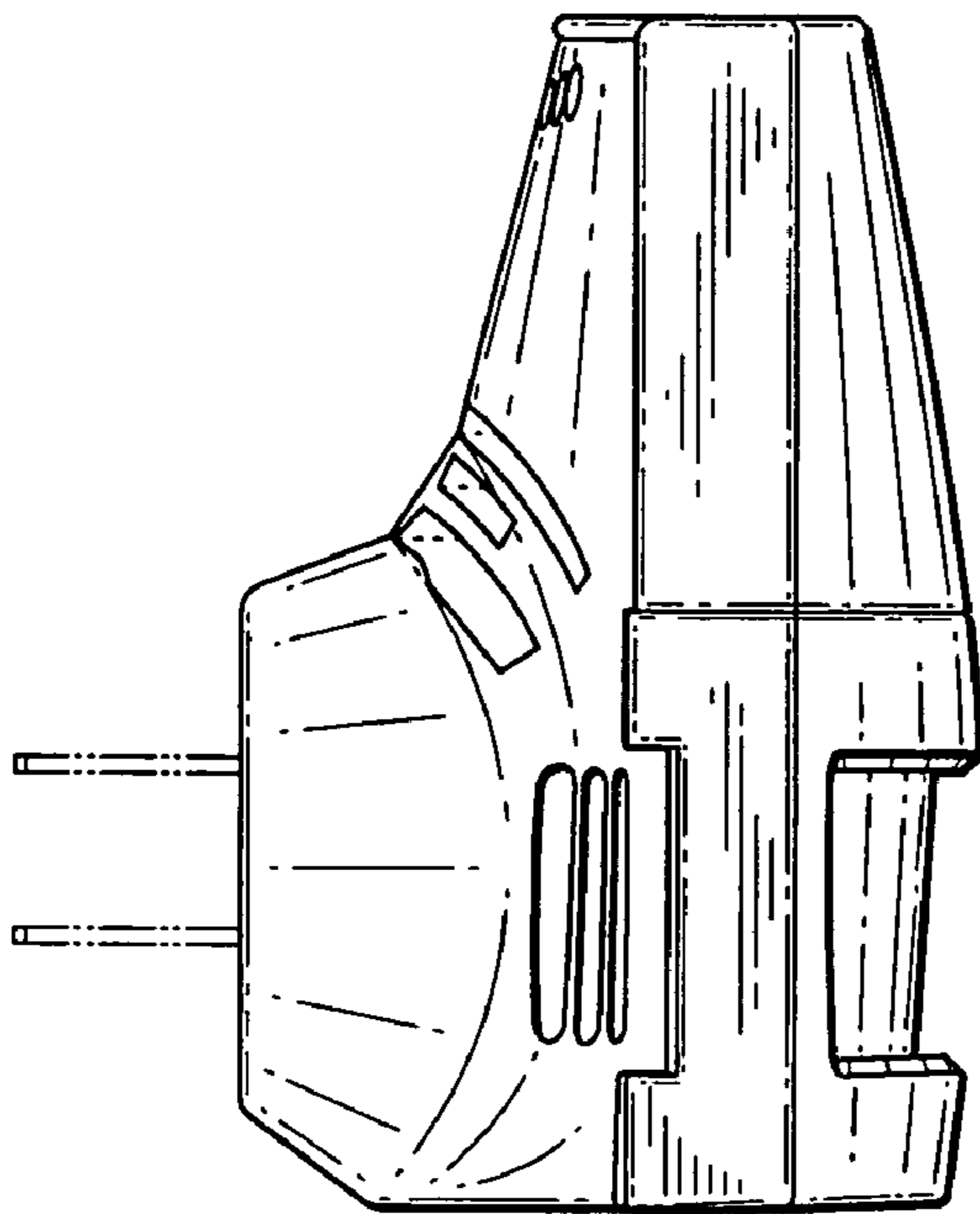
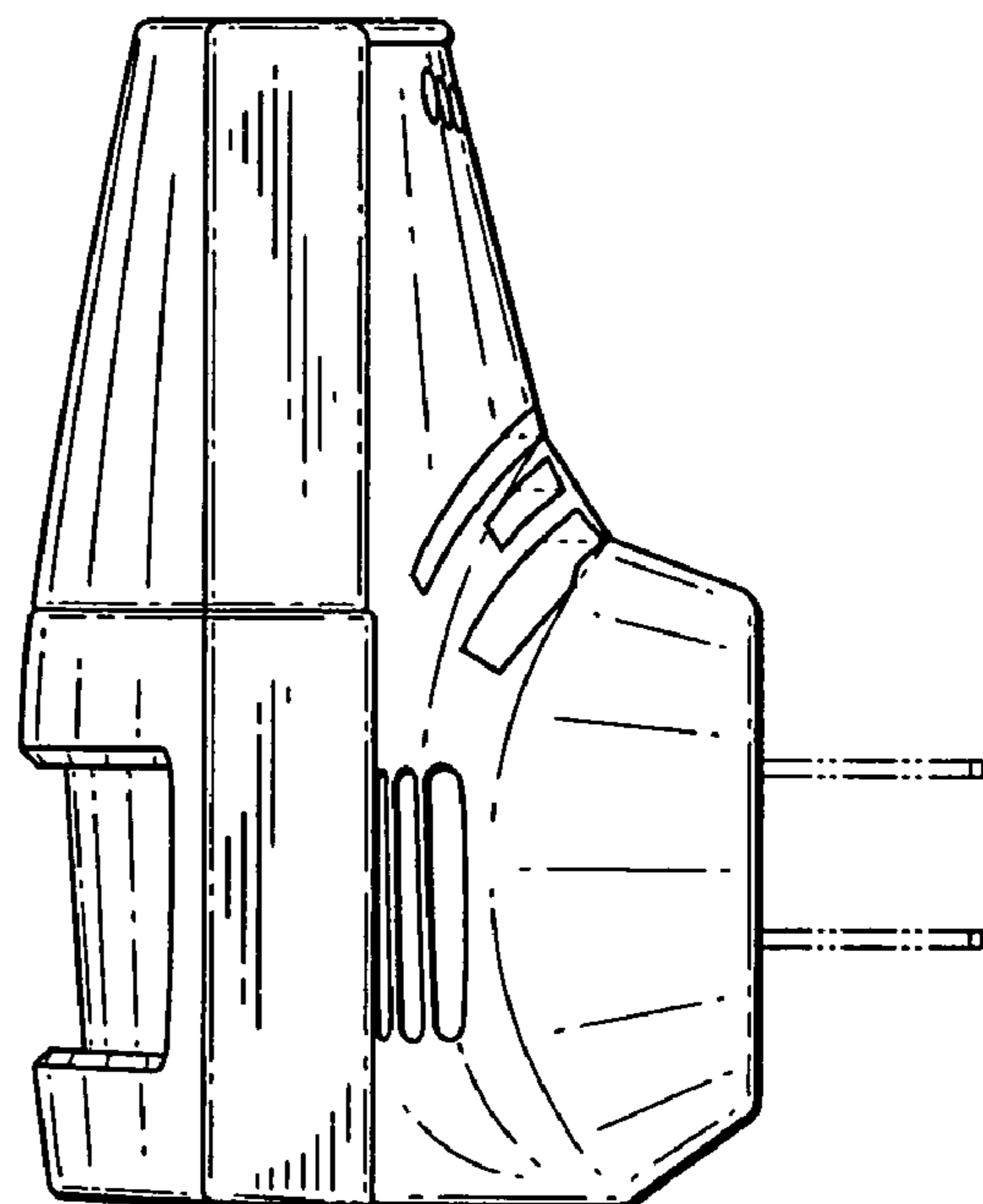
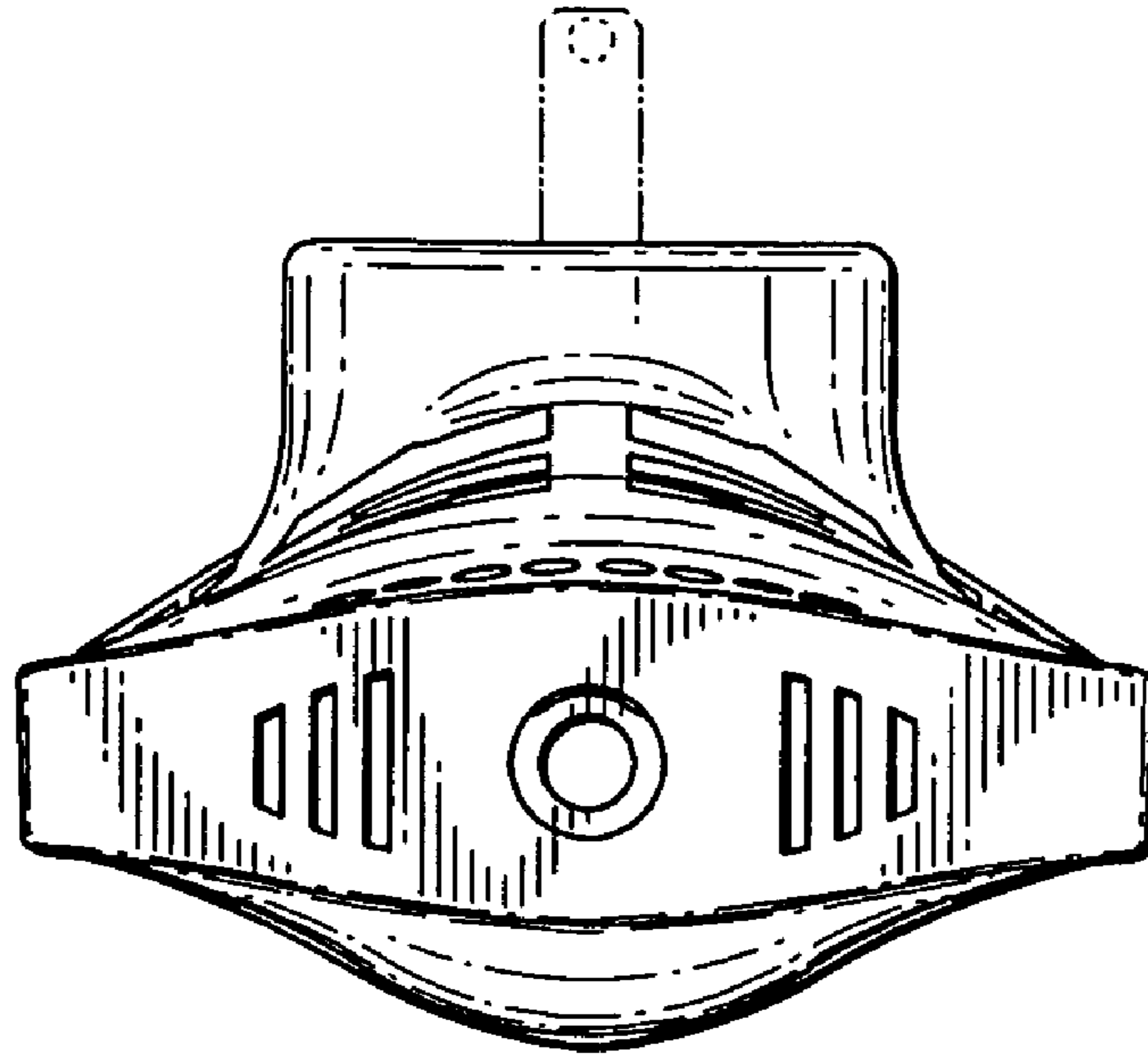


FIG. 5



*FIG. 6*



*FIG. 7*

