

US00D544073S

(12) **United States Design Patent**
DeGarmo

(10) **Patent No.:** **US D544,073 S**
(45) **Date of Patent:** **** Jun. 5, 2007**

- (54) **BACKFLOW PREVENTION SINK**
- (75) Inventor: **Craig DeGarmo**, Jamesville, WI (US)
- (73) Assignee: **DeGarmo Plumbing, Inc.**, Janesville, WI (US)
- (**) Term: **14 Years**

5,649,681 A	7/1997	Faye	
D382,332 S	*	8/1997	Schwartz D23/284
5,876,000 A	3/1999	Ismert	
6,021,805 A	2/2000	Horne et al.	
6,397,878 B1	6/2002	Nolan	
2003/0188779 A1	10/2003	DeGarmo	
2005/0098212 A1	5/2005	DeGarmo	

- (21) Appl. No.: **29/244,839**
- (22) Filed: **Dec. 14, 2005**

Related U.S. Application Data

- (63) Continuation-in-part of application No. 11/009,347, filed on Dec. 10, 2004, now abandoned, which is a continuation of application No. 10/408,977, filed on Apr. 8, 2003, now abandoned.
- (51) **LOC (8) Cl.** **23-02**
- (52) **U.S. Cl.** **D23/284**
- (58) **Field of Classification Search** D23/270–271, D23/273, 284–287, 291, 293.1, 303, 308; 4/619, 624–625, 630, 661, DIG. 15; D21/524
See application file for complete search history.

(56) **References Cited**

U.S. PATENT DOCUMENTS

D243,182 S	*	1/1977	Seymour et al.	D23/286
D255,923 S	*	7/1980	Rosenkranz	D23/284
4,440,185 A	*	4/1984	Wiltse	134/115 R
D285,522 S	*	9/1986	Basini	D23/272
4,856,559 A		8/1989	Lipshultz et al.	
4,991,655 A		2/1991	McHugh	
5,217,038 A		6/1993	Pinder	
5,392,803 A		2/1995	Bruce	

OTHER PUBLICATIONS

Picture illustrating general subject matter of a unit installed more than one year prior to the filing date of this application (Apr. 9, 2002).

* cited by examiner

Primary Examiner—Robert A. Delehanty
(74) *Attorney, Agent, or Firm*—Jeffrey D. Peterson; Michael Best & Friedrich LLP

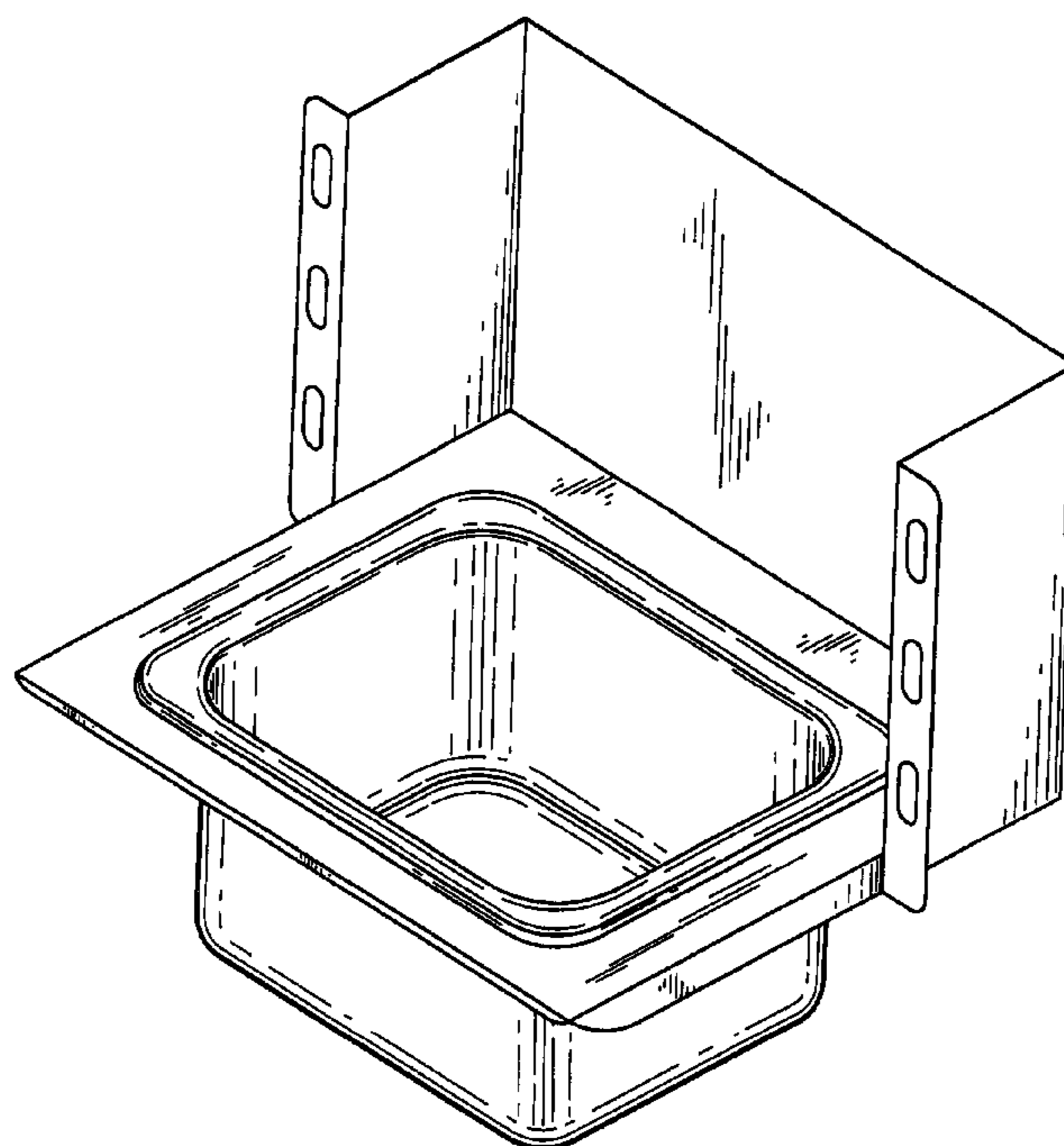
(57) **CLAIM**

The ornamental design for a backflow prevention sink, as shown and described.

DESCRIPTION

FIG. 1 is a front perspective view of the backflow prevention sink.
FIG. 2 is a front view of the backflow prevention sink.
FIG. 3 is a bottom view of the backflow prevention sink; and,
FIG. 4 is a side view of the backflow prevention sink.
The present application is directed to the design illustrated in the drawings. The broken line portions of the disclosure are for illustrative purposes only and form no part of the claimed design.

1 Claim, 4 Drawing Sheets



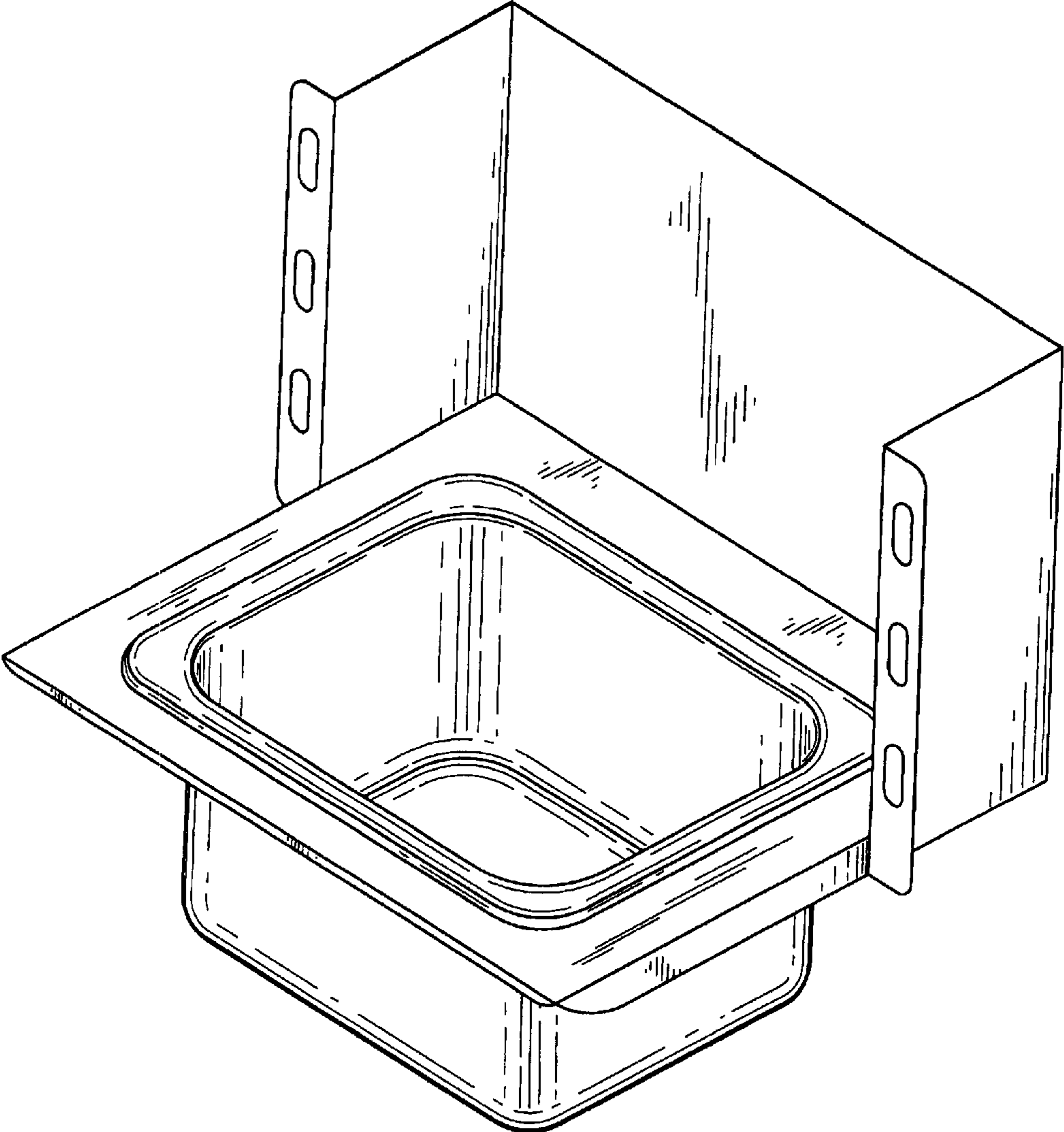


FIG. 1

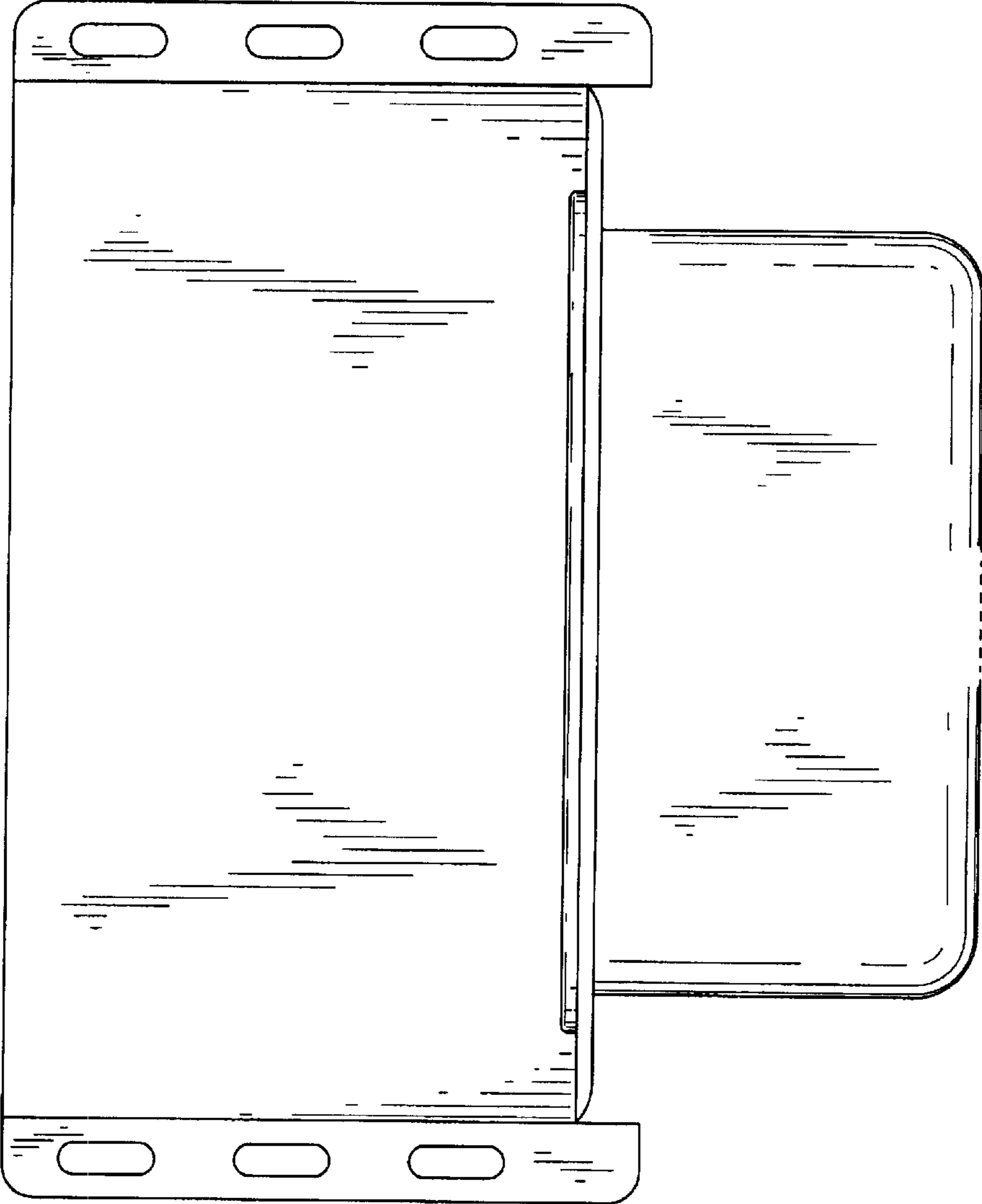


FIG. 2

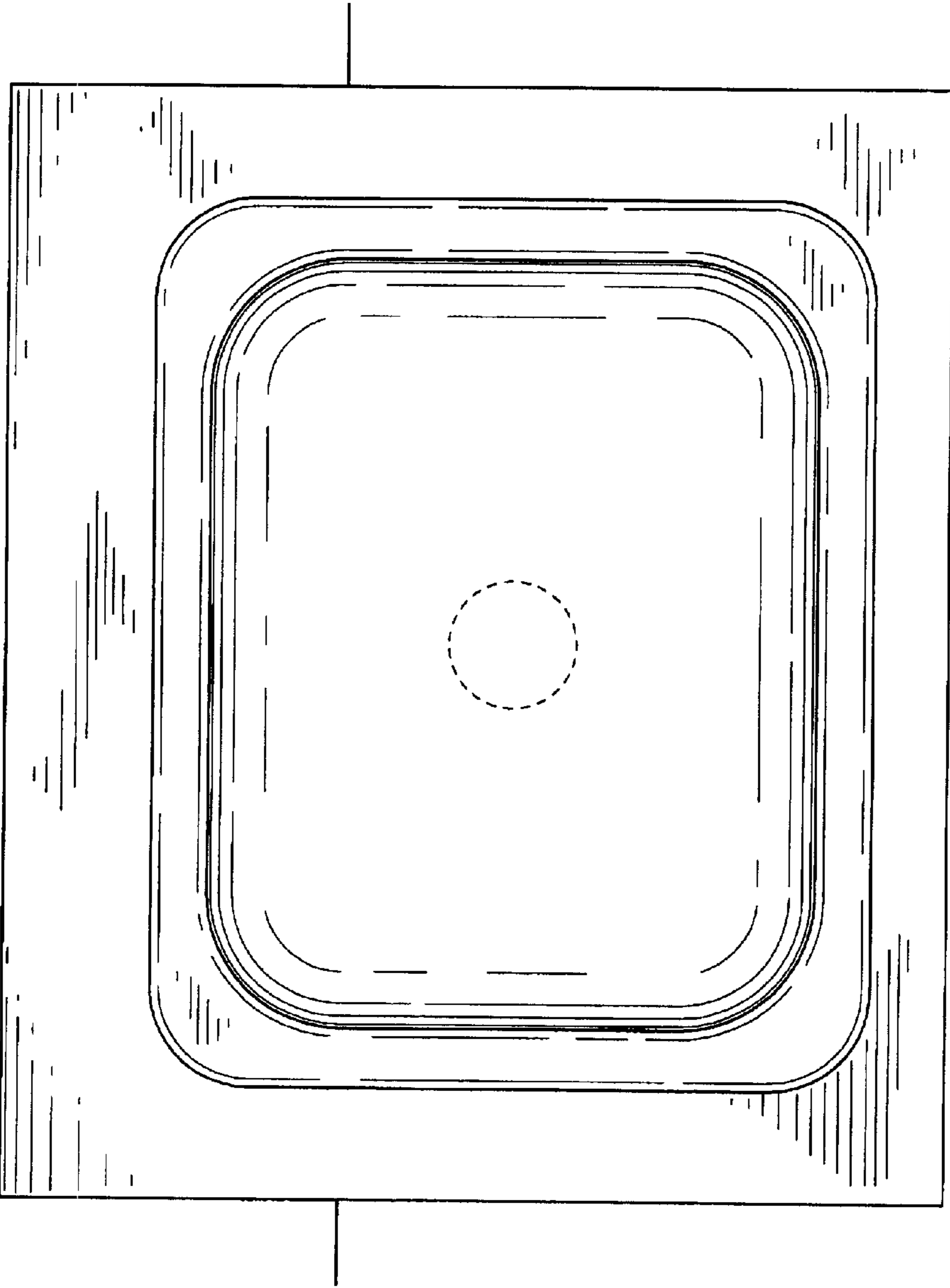


FIG. 3

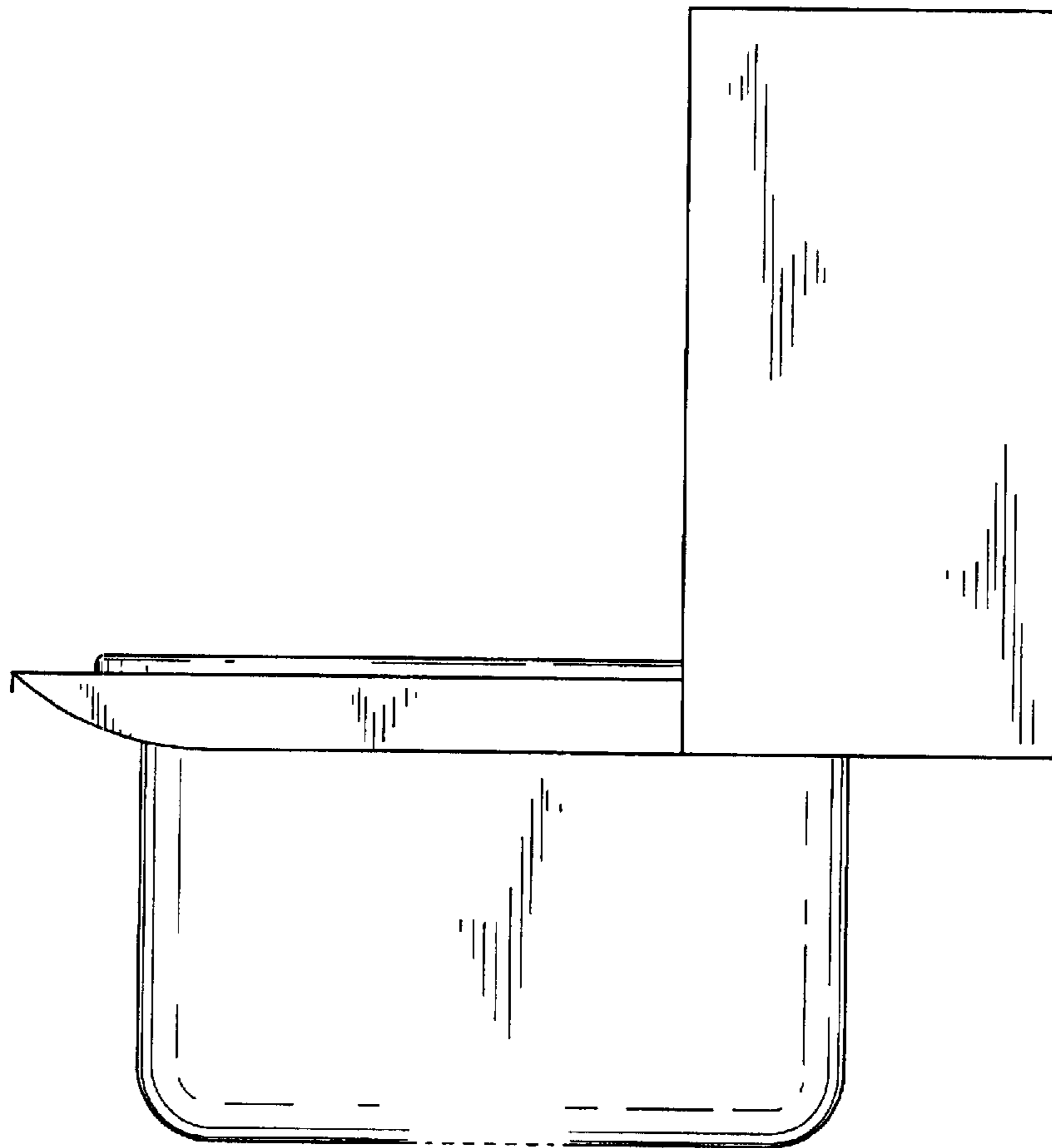


FIG. 4