

US00D544070S

(12) **United States Design Patent**  
**Flor et al.**

(10) **Patent No.:** **US D544,070 S**  
(45) **Date of Patent:** **\*\* Jun. 5, 2007**

(54) **CARTRIDGE FOR WATER PURIFYING WITH ABSORBENT FOR ORGANIC TARGETS**

(75) Inventors: **Nicolo Flor**, Oakville (CA); **John Christopher Polis**, St. Catharines (CA); **John S. Brinkman**, London (CA)

(73) Assignee: **Imbibitive Technologies Corporation**, Wilmington, DE (US)

(\*\*) Term: **14 Years**

(21) Appl. No.: **29/254,265**

(22) Filed: **Feb. 21, 2006**

(51) **LOC (8) Cl.** ..... **23-01**

(52) **U.S. Cl.** ..... **D23/209**

(58) **Field of Classification Search** ..... D23/207, D23/209; 210/459-462, 493.1, 493.5, 497.01, 210/499

See application file for complete search history.

(56) **References Cited**

**U.S. PATENT DOCUMENTS**

364,599 A *	6/1887	Morris	.....	210/461
5,411,659 A *	5/1995	Nichols	.....	210/130
5,427,597 A *	6/1995	Osendorf	.....	55/487
5,591,338 A *	1/1997	Pruette et al.	.....	210/493.1
6,440,303 B2 *	8/2002	Spriegel	.....	210/232
D497,972 S *	11/2004	Reynolds et al.	.....	D23/209

\* cited by examiner

*Primary Examiner*—Robin Webster

(74) *Attorney, Agent, or Firm*—Christopher John Rudy

(57) **CLAIM**

The ornamental design for a cartridge for water purifying with absorbent for organic targets, as shown and described.

**DESCRIPTION**

FIG. 1 is a top, side view of a cartridge for water purifying with absorbent for organic targets showing our new design, the cartridge shown fragmented to indicate indeterminate length and all other sides being a mirror image of the side shown;

FIG. 2 is a top, side perspective view of second embodiment thereof with determinate length and all other sides being a mirror image;

FIG. 3 is a top, side perspective view of a third embodiment thereof with determinate length and all other sides being mirror image;

FIG. 4 is a top perspective view of a fourth embodiment thereof with determinate length and all other sides being a mirror image;

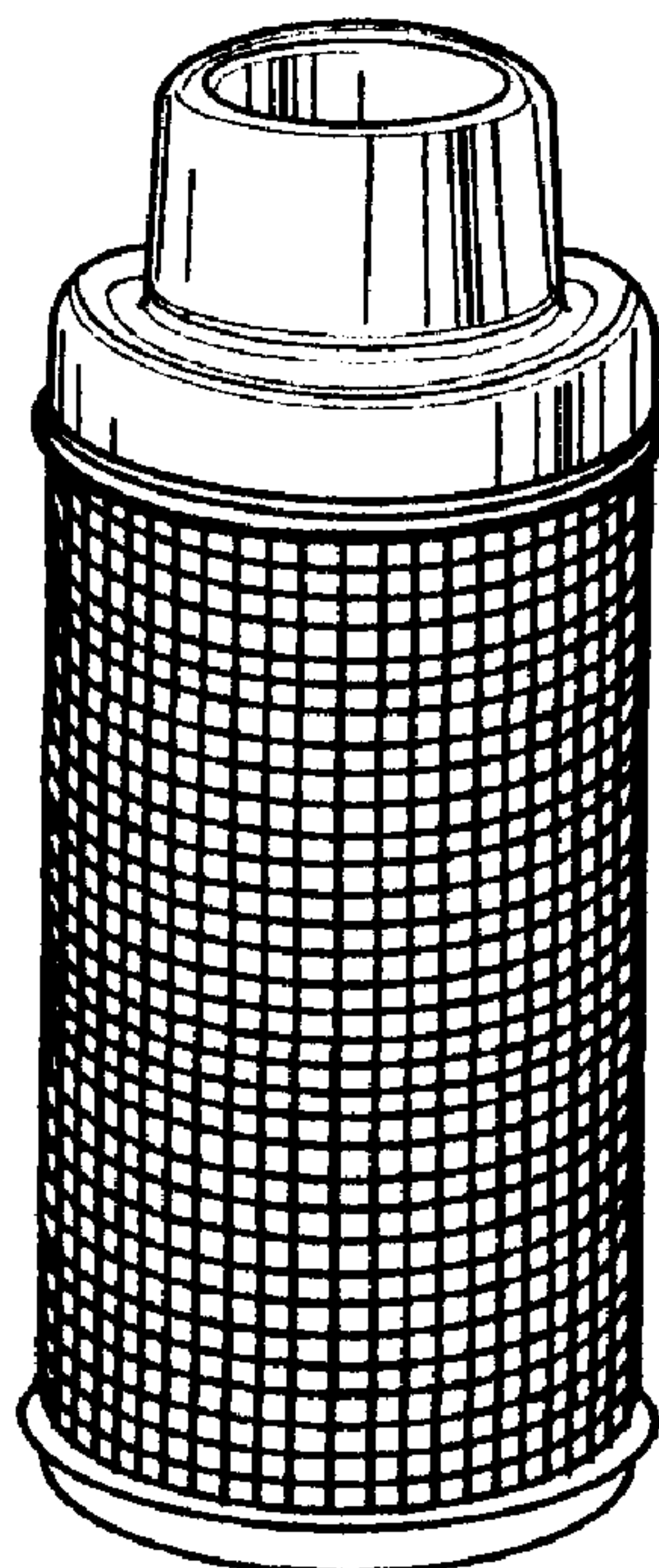
FIG. 5 is a top, perspective view of a fifth embodiment thereof with determinate length and all other sides being a mirror image;

FIG. 6 is a top view the cartridges depicted in FIGS. 1-5 and 8;

FIG. 7 is a bottom view of the cartridges depicted in FIGS. 1-5 and 8; and,

FIG. 8 is a top, side perspective view of a sixth embodiment thereof, with the cartridge shown fragmented to indicate indeterminate length and all other sides being a mirror image of the side shown.

**1 Claim, 1 Drawing Sheet**



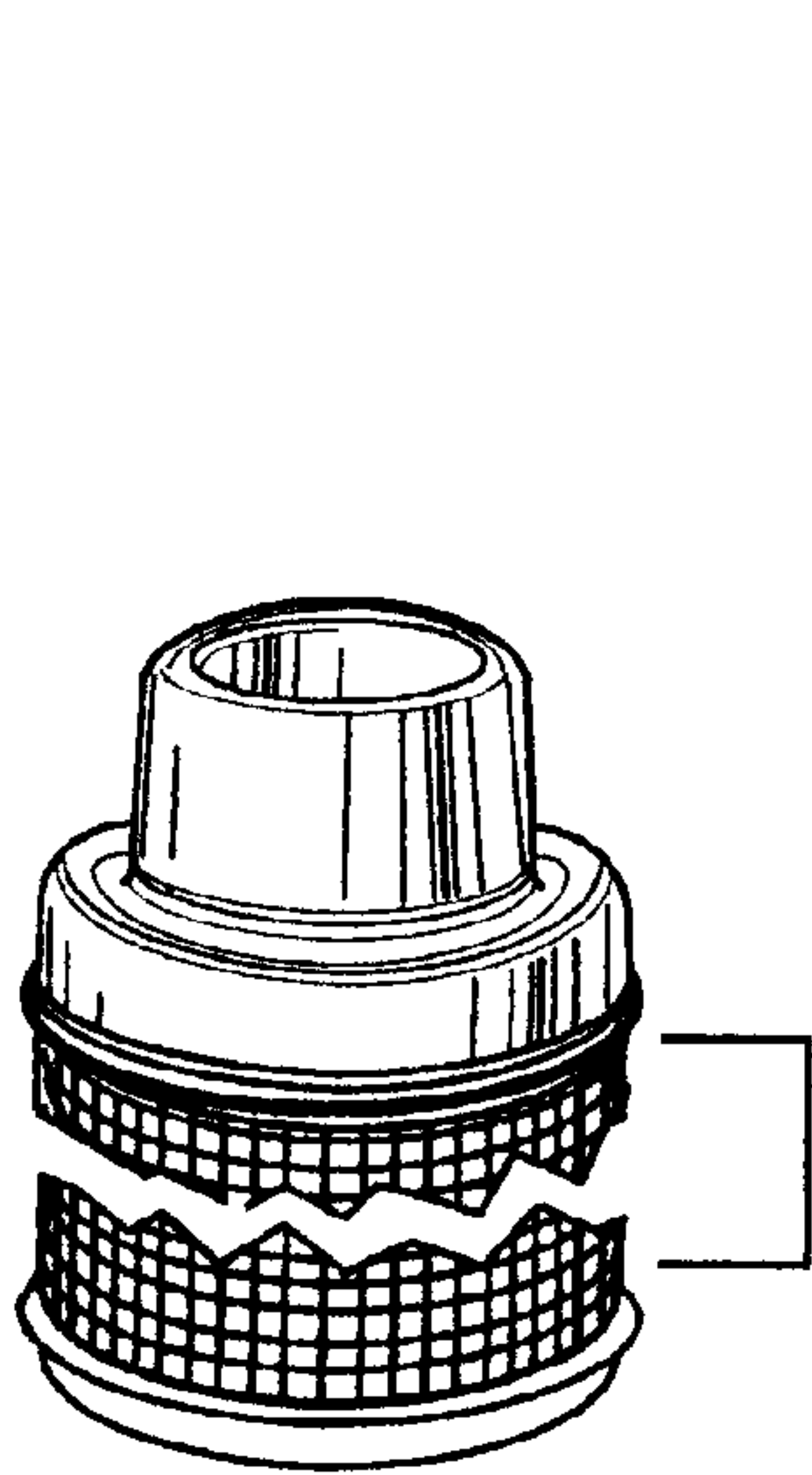


Fig. 1

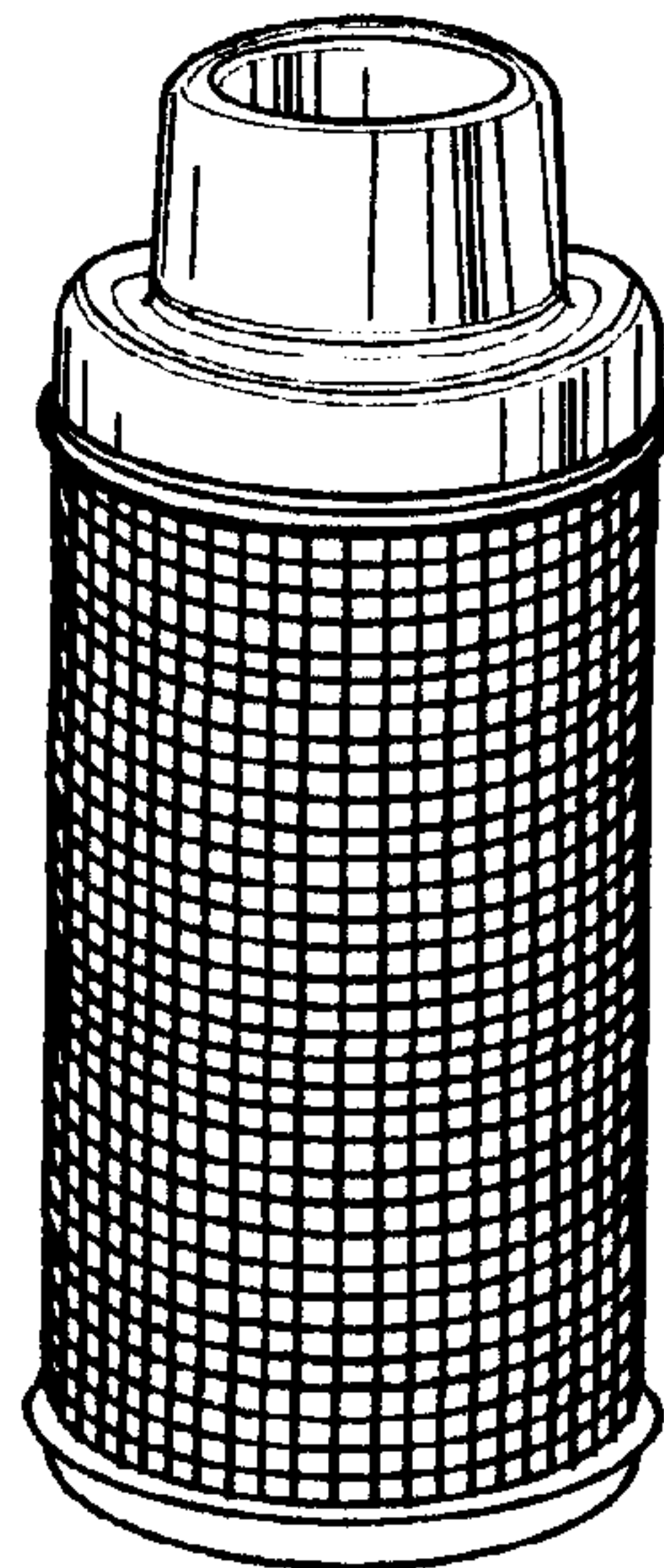


Fig. 2

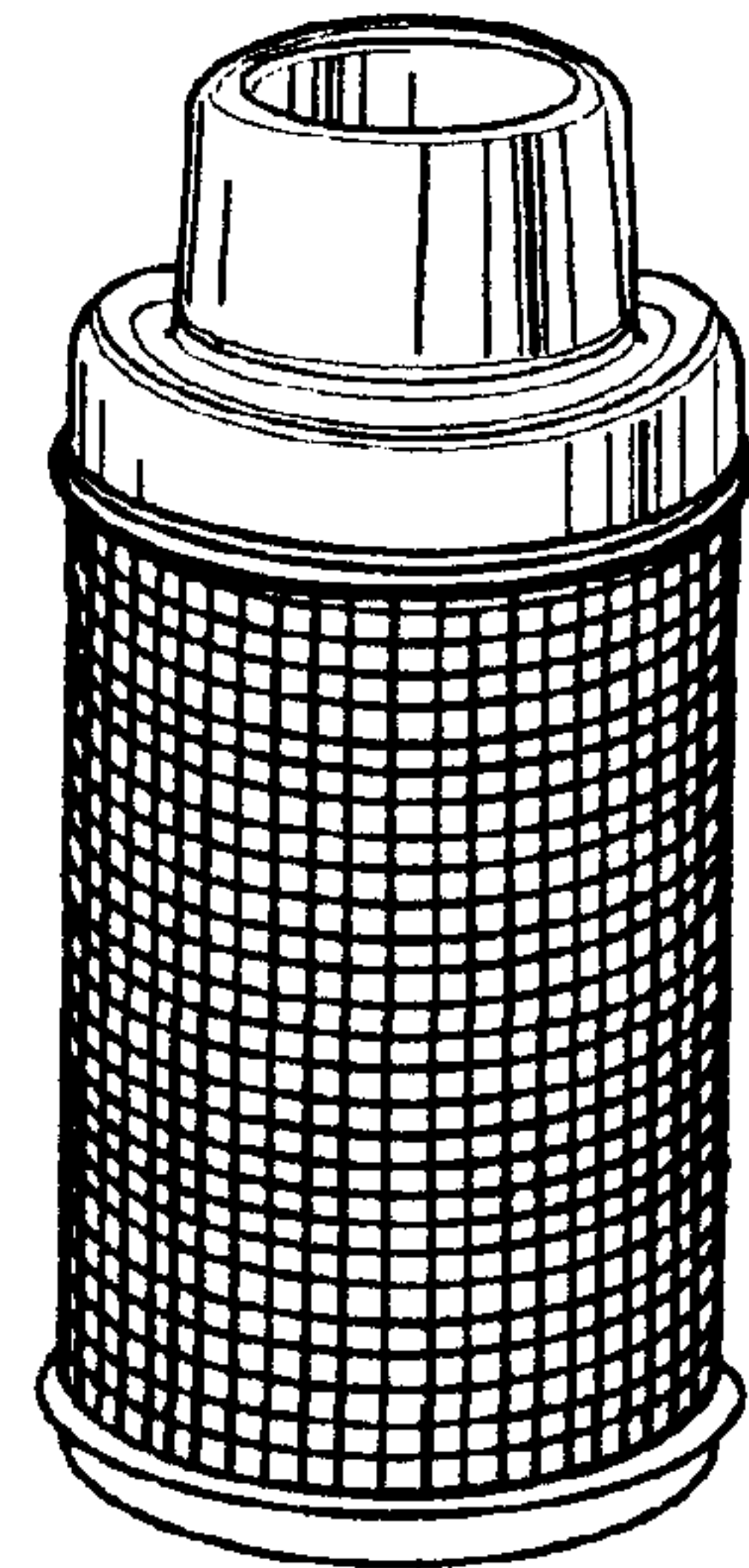


Fig. 3

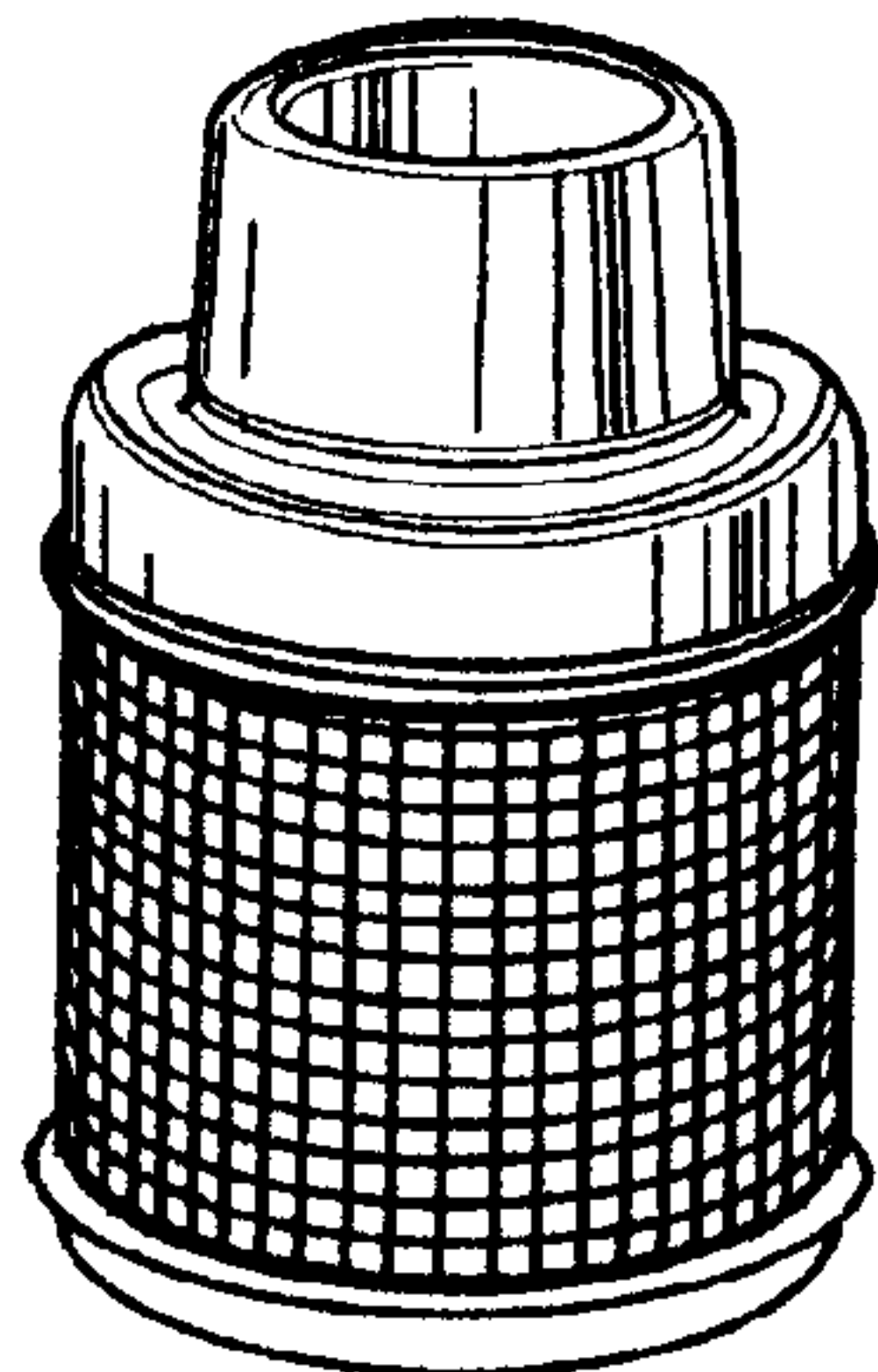


Fig. 4

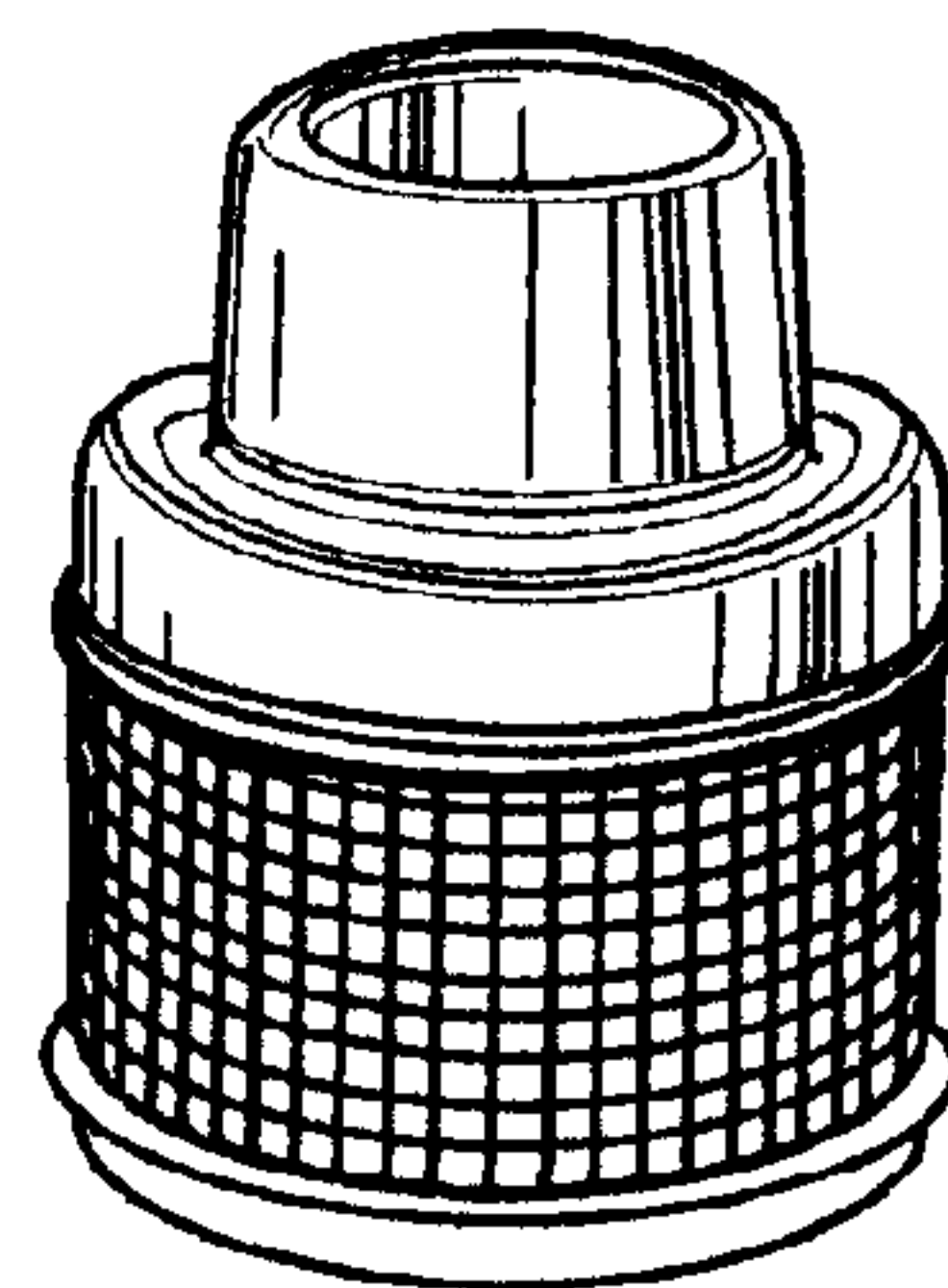


Fig. 5

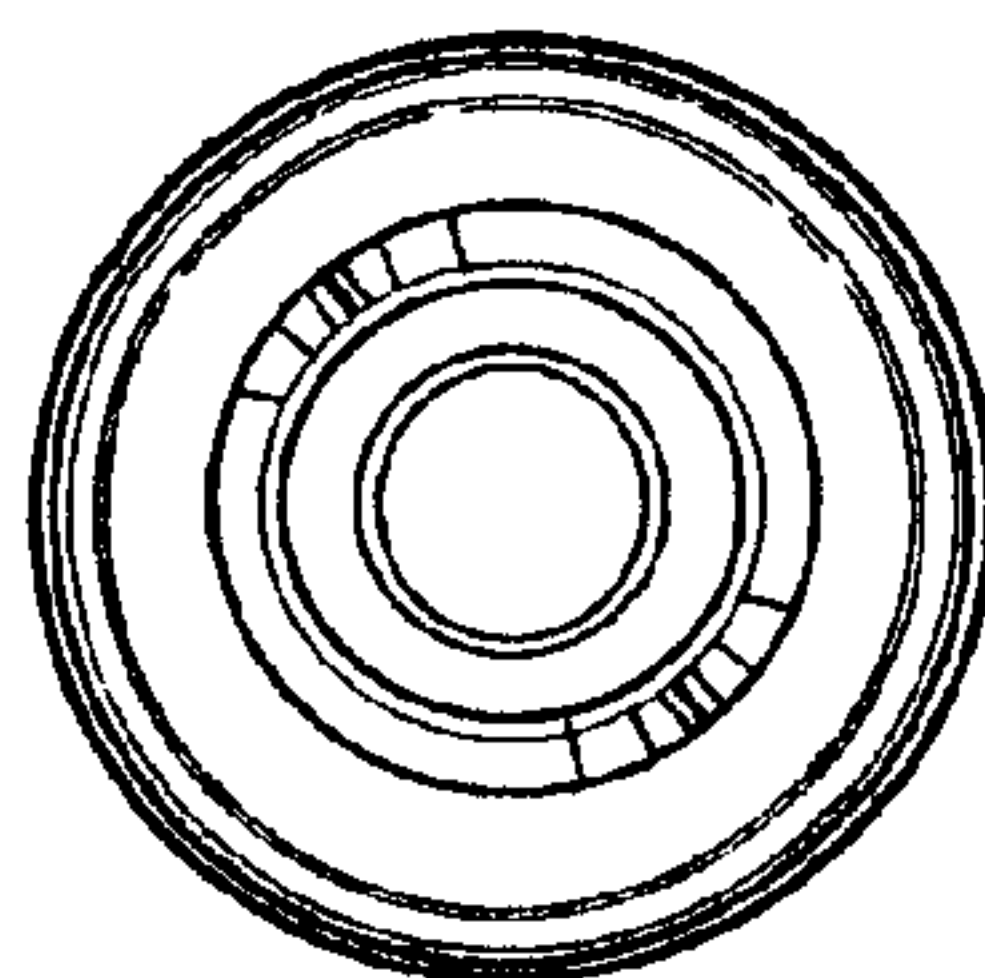


Fig. 6

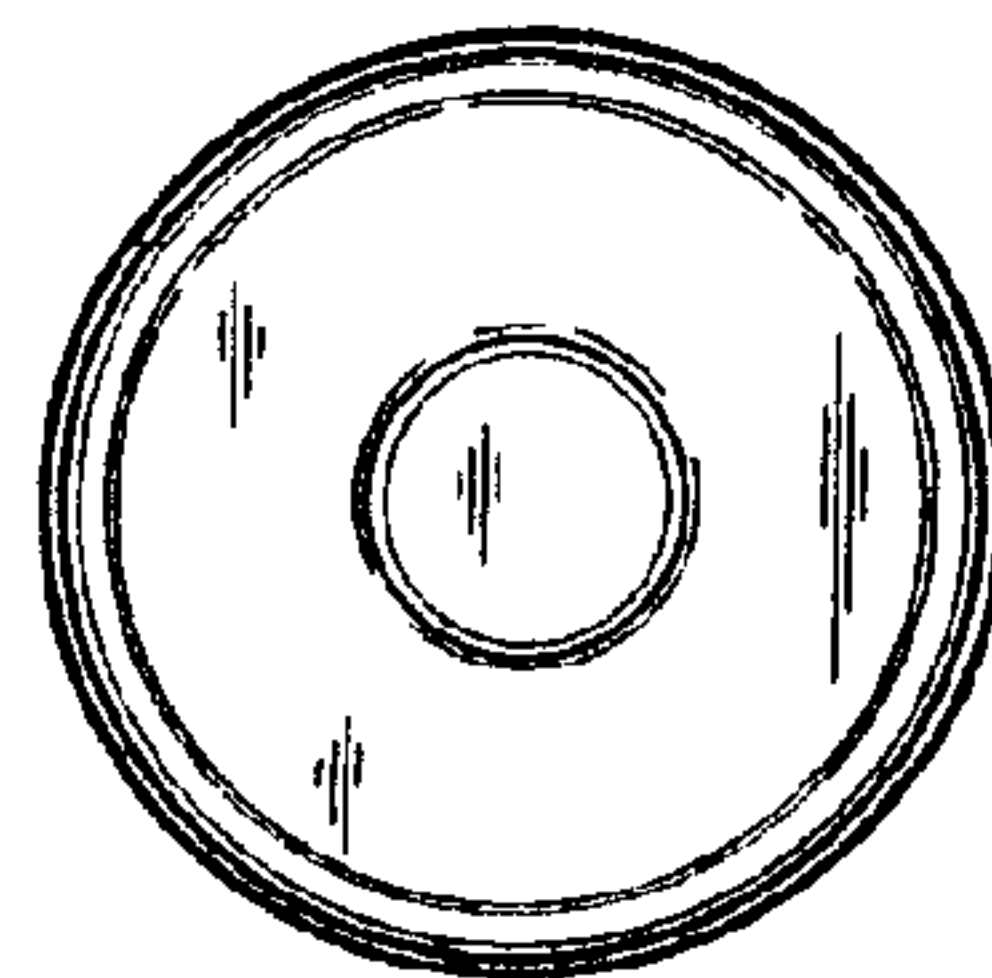


Fig. 7

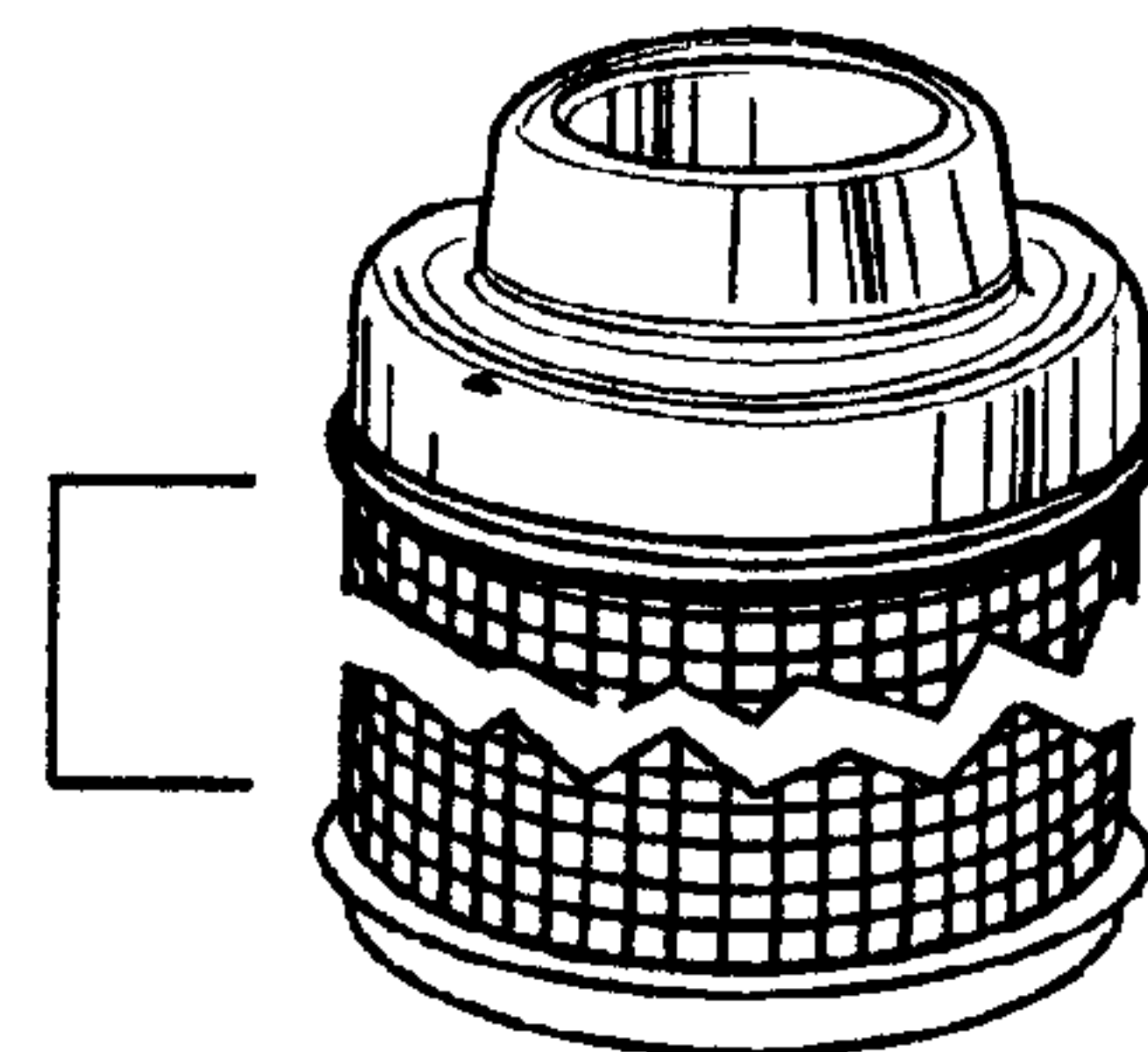


Fig. 8