

US00D544067S

(12) **United States Design Patent**  
**Wichem**

(10) **Patent No.:** **US D544,067 S**

(45) **Date of Patent:** **\*\* Jun. 5, 2007**

(54) **TREBLE HOOK WITH TWO EYELETS**

5,875,584 A \* 3/1999 Gowing ..... 43/44.82  
D421,480 S \* 3/2000 Edwards ..... D22/144  
D505,480 S \* 5/2005 Mathieu ..... D22/144

(76) **Inventor:** **Dennis Anthony Wichem**, 12437  
Meeting House Rd., Carmel, IN (US)  
46032

\* cited by examiner

(\*\*) **Term:** **14 Years**

*Primary Examiner*—Catherine R. Oliver

(21) **Appl. No.:** **29/265,974**

(57) **CLAIM**

(22) **Filed:** **Sep. 12, 2006**

I claim the ornamental design for a treble hook with two eyelets, as shown and described.

(51) **LOC (8) Cl.** ..... **22-05**

(52) **U.S. Cl.** ..... **D22/144**

(58) **Field of Classification Search** ..... D22/144-145;  
43/44.83, 44.82, 43.16, 43.2, 43.4, 42.7  
See application file for complete search history.

**DESCRIPTION**

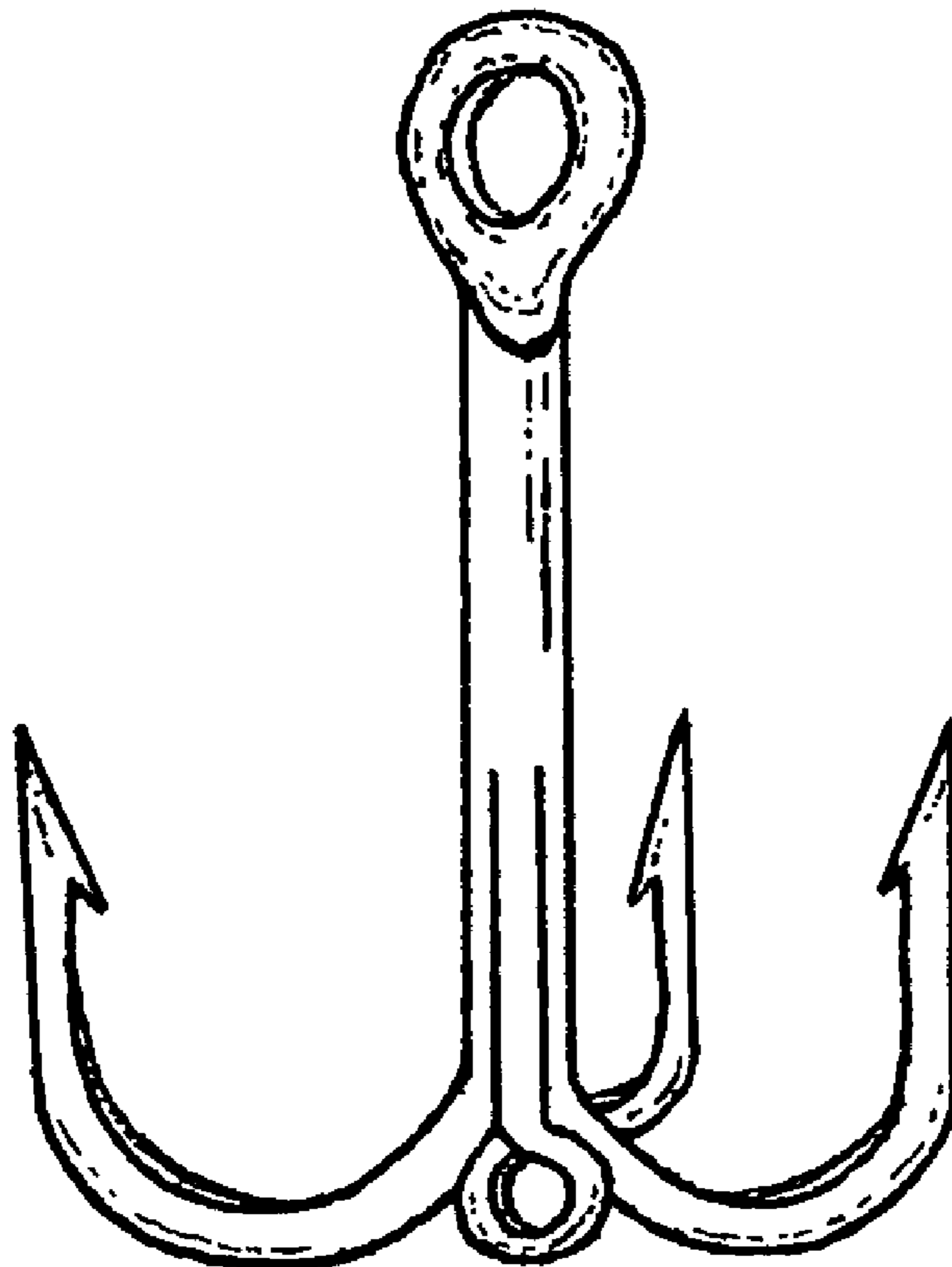
(56) **References Cited**

**U.S. PATENT DOCUMENTS**

2,514,527 A \* 7/1950 Verhota ..... 43/44.82  
2,618,095 A \* 11/1952 Igo ..... 43/42.24  
5,265,370 A \* 11/1993 Wold ..... 43/44.82  
5,386,660 A \* 2/1995 Levin ..... 43/43.16  
5,425,195 A \* 6/1995 Nakamichi ..... 43/44.82  
D371,594 S \* 7/1996 Drapak et al. .... D22/144

FIG. 1 is a perspective view of the treble hook with two eyelets showing my new design;  
FIG. 2 is a side view thereof;  
FIG. 3 is an opposite view thereof;  
FIG. 4 is a front view thereof;  
FIG. 5 is a rear view thereof;  
FIG. 6 is a top plan view thereof; and,  
FIG. 7 is a bottom view.

**1 Claim, 3 Drawing Sheets**



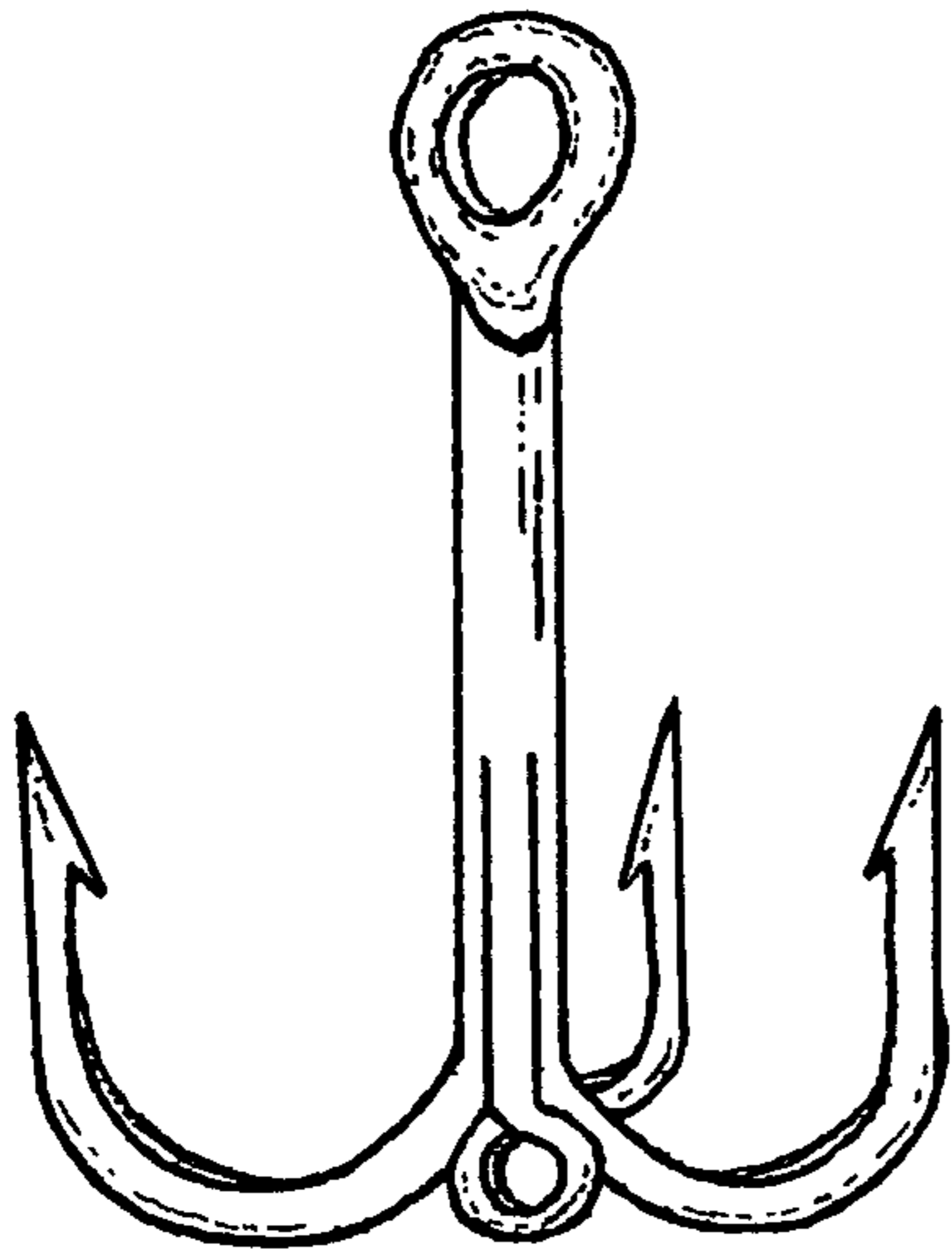


FIG. 1

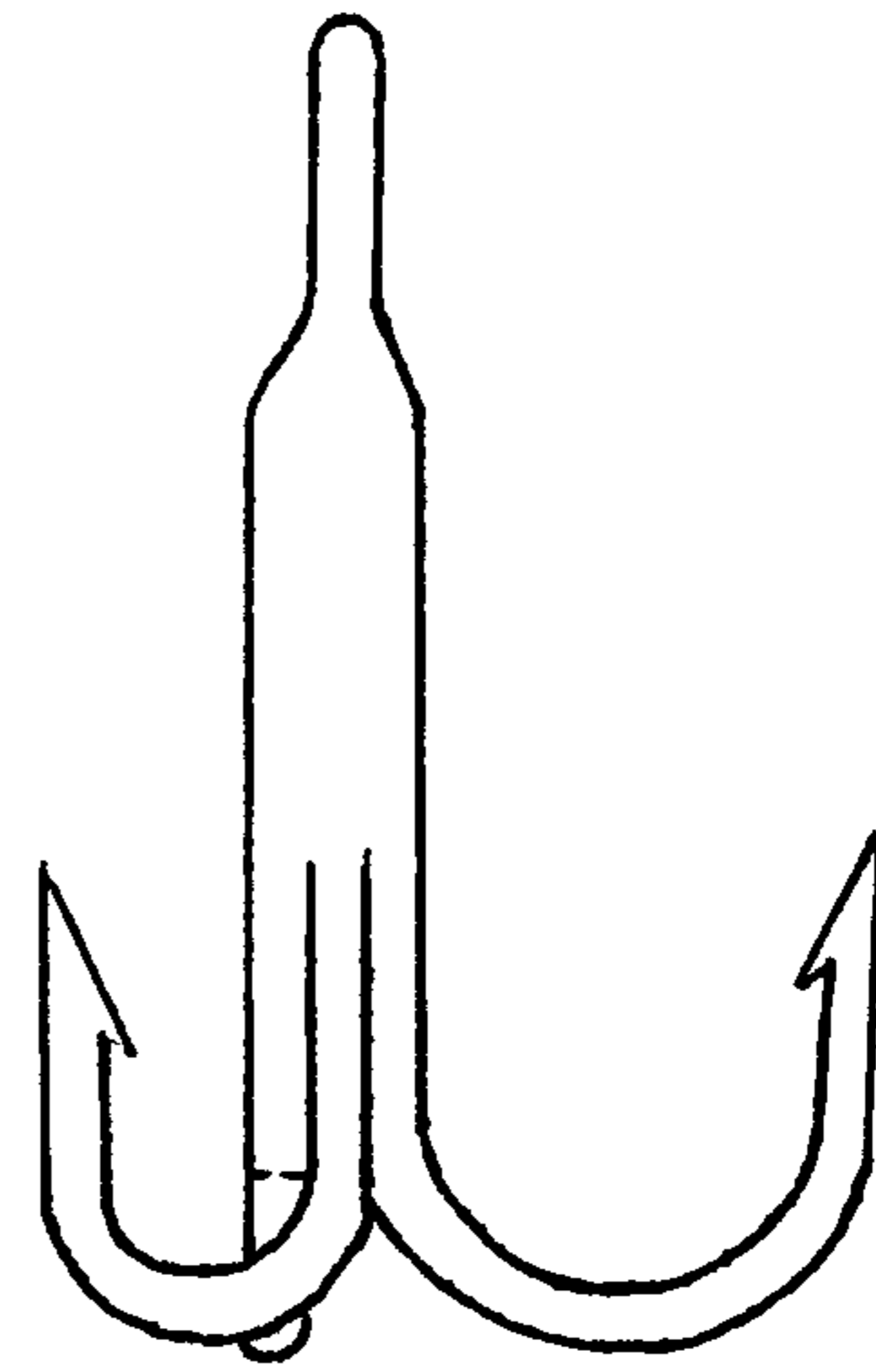


FIG. 2

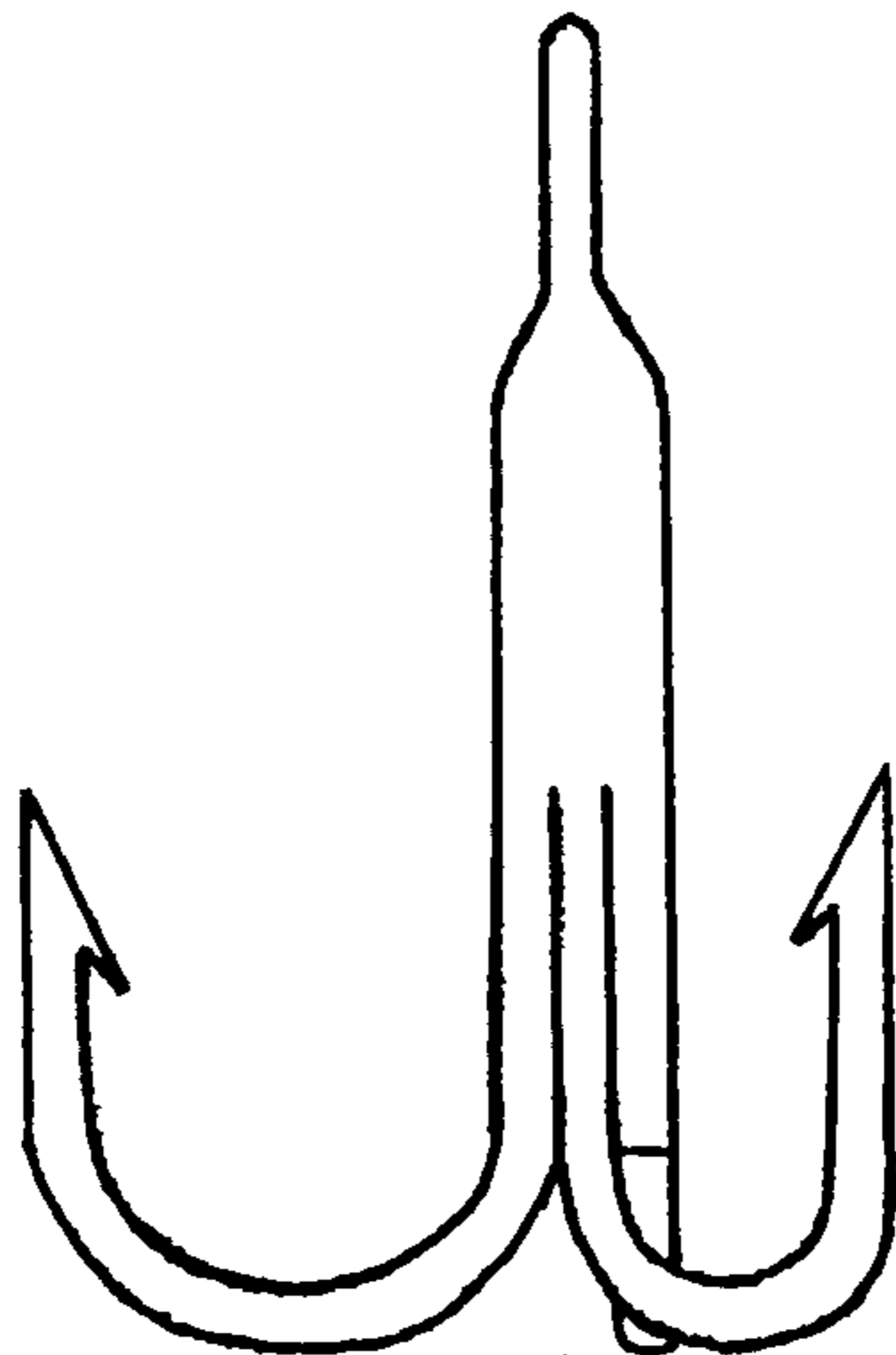


FIG. 3

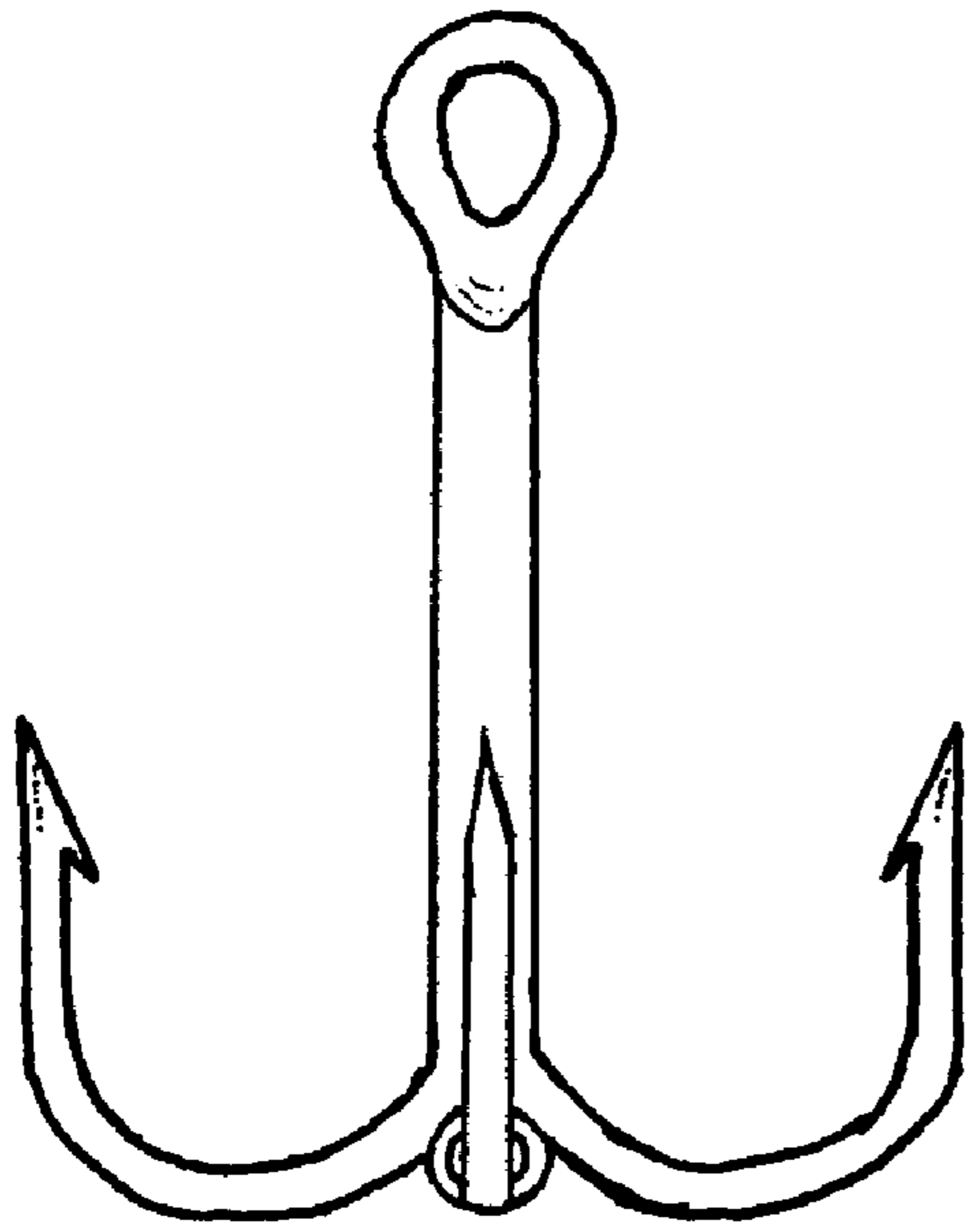


FIG. 4

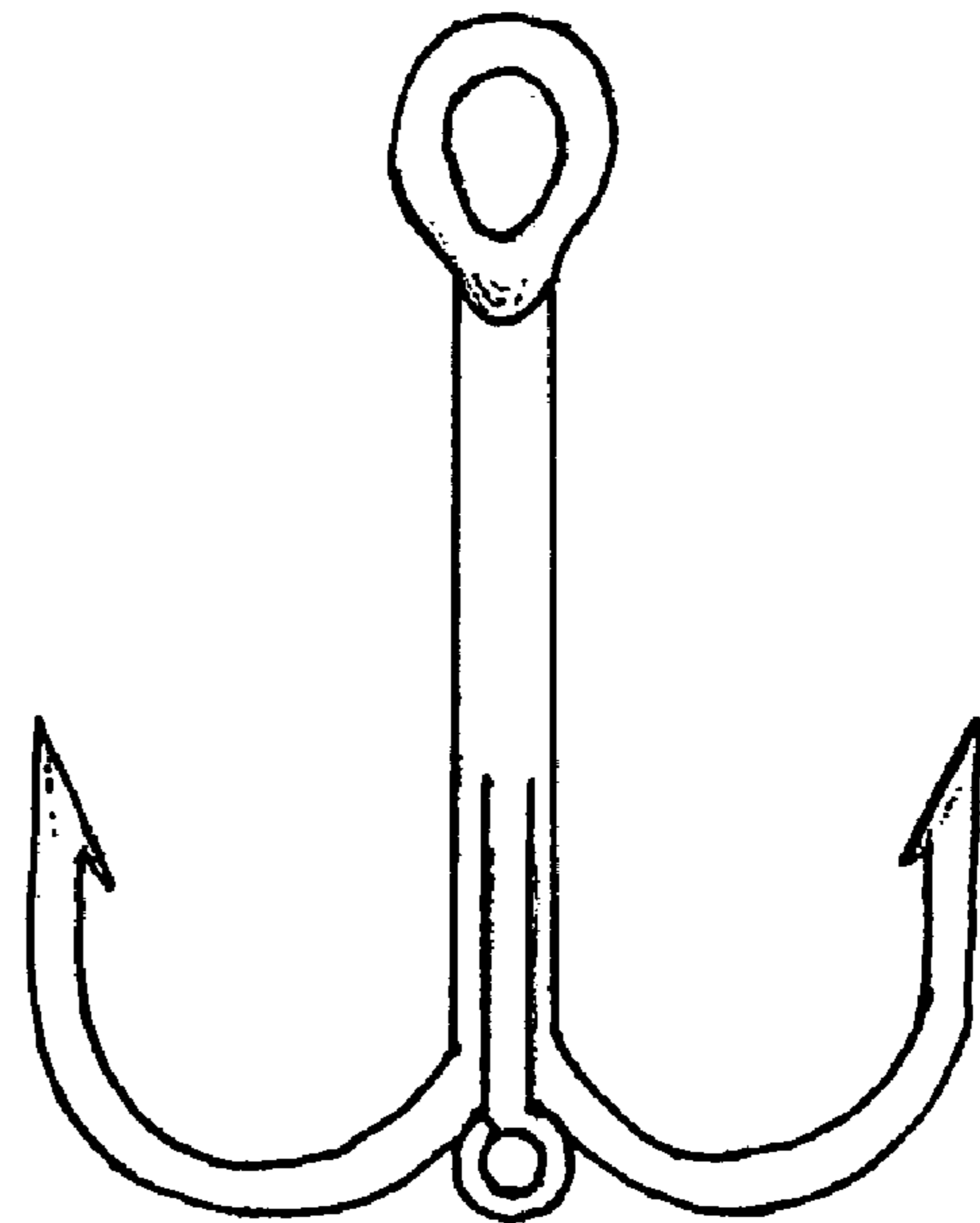


FIG. 5

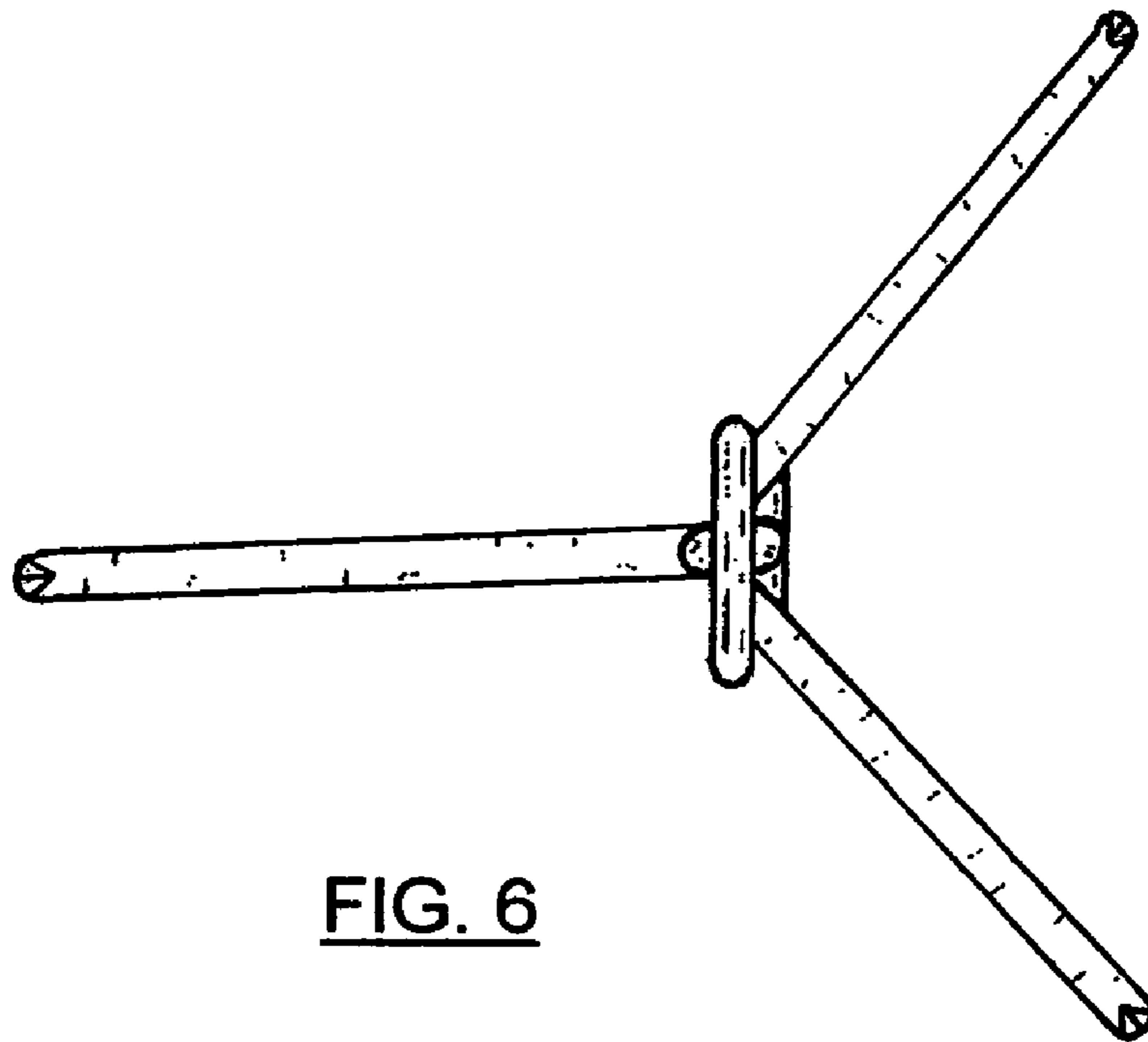


FIG. 6

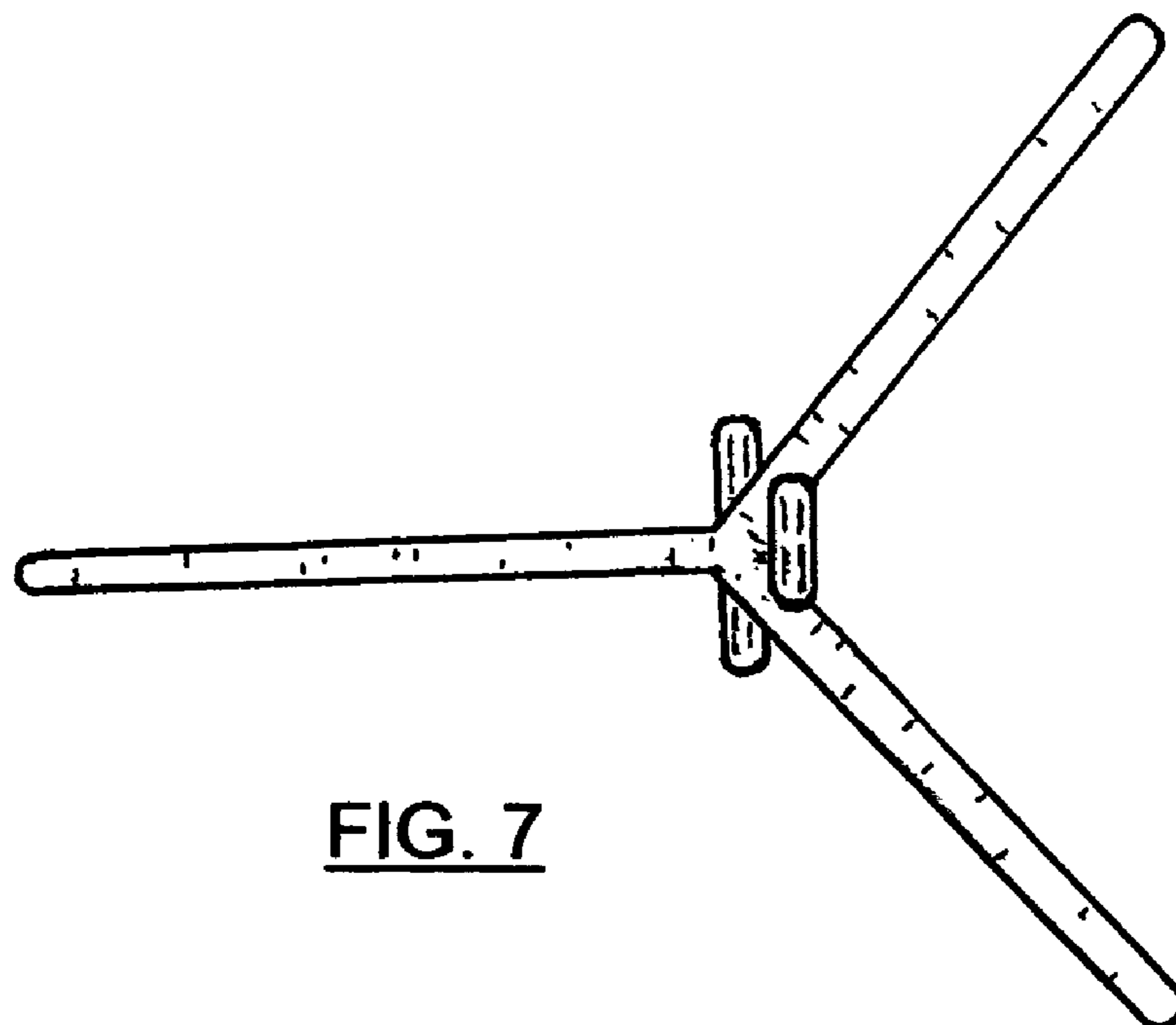


FIG. 7