

US00D544062S

(12) **United States Design Patent**
Baker

(10) **Patent No.:** **US D544,062 S**

(45) **Date of Patent:** **** Jun. 5, 2007**

(54) **SOLAR SHADE**

(76) **Inventor:** **Barbara Baker**, 120 Isabella, El Paso,
TX (US) 79912

(**) **Term:** **14 Years**

(21) **Appl. No.:** **29/212,368**

(22) **Filed:** **Nov. 17, 2004**

(51) **LOC (8) Cl.** **21-04**

(52) **U.S. Cl.** **D21/837**

(58) **Field of Classification Search** D21/834-839;
D25/13, 16-20, 26, 56; 135/87, 100, 121,
135/124-126, 128, 135, 136, 143, 156; 446/478,
446/487

See application file for complete search history.

(56) **References Cited**

U.S. PATENT DOCUMENTS

2,961,802	A *	11/1960	Mongan et al.	52/81.4
D227,662	S *	7/1973	Warshaw	D25/18
D245,015	S *	7/1977	Barr	D25/56
D256,829	S *	9/1980	Qui et al.	D21/837
D341,407	S *	11/1993	McLeese	D21/837
5,690,133	A *	11/1997	Capwell	135/124

5,823,217	A *	10/1998	Rice	135/124
D400,949	S *	11/1998	Gale	D21/834
D412,354	S *	7/1999	Takos	D21/837
5,927,311	A *	7/1999	Jager	135/124
D413,394	S *	8/1999	Chipman et al.	D25/56
6,062,243	A *	5/2000	Tuch et al.	135/124
6,363,955	B1 *	4/2002	Louie	135/126
6,595,227	B2 *	7/2003	Le Gette et al.	135/126
6,901,940	B2 *	6/2005	Zheng	135/126
6,942,005	B2 *	9/2005	Le Gette et al.	160/368.1

* cited by examiner

Primary Examiner—Holly H. Baynham

Assistant Examiner—Cynthia M. Chin

(74) *Attorney, Agent, or Firm*—Barbara Baker

(57) **CLAIM**

The ornamental design for a solar shade, as shown.

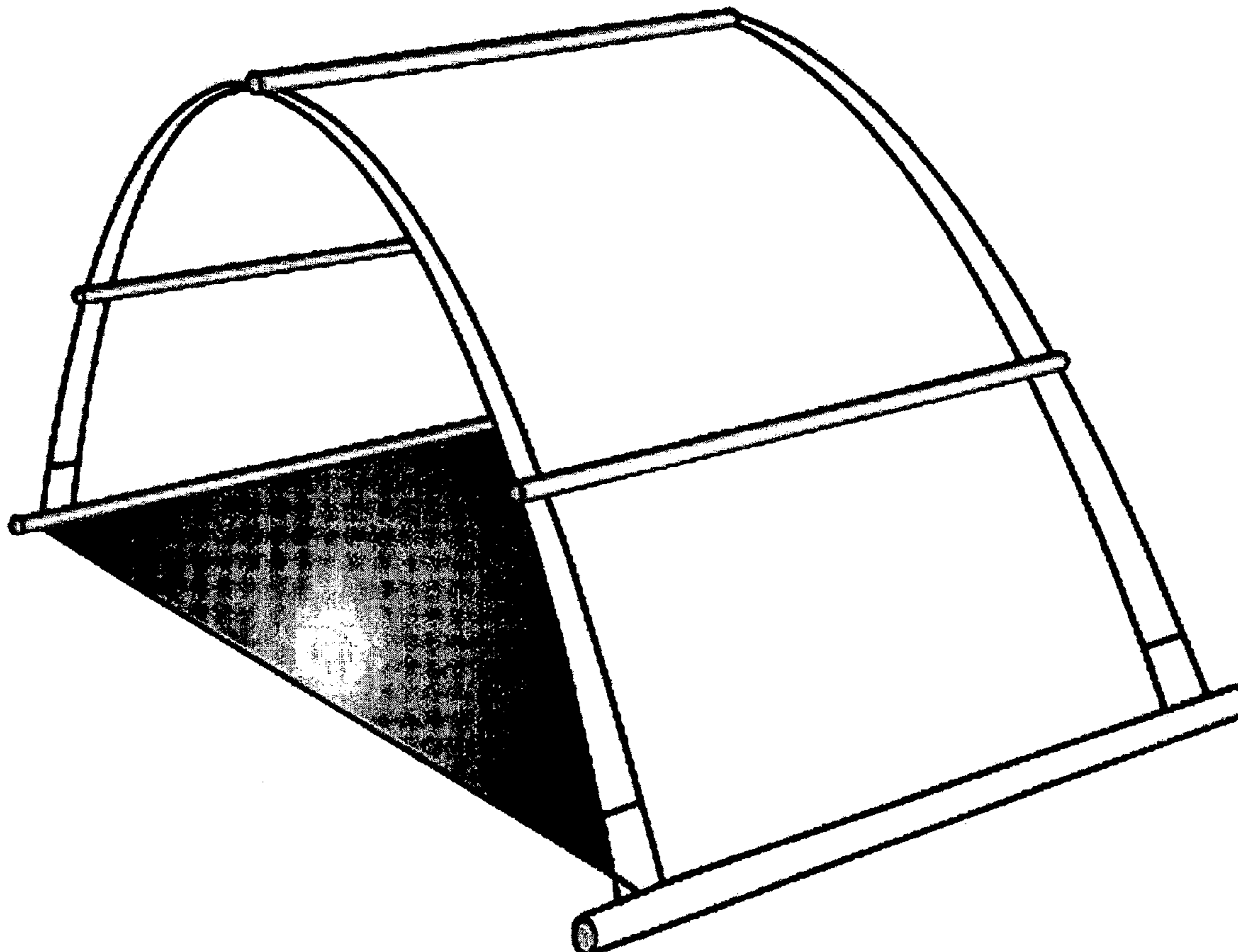
DESCRIPTION

FIG. 1 is a front, left perspective view of a tent showing my new design;

FIG. 2 is right, rear, top perspective view thereof; and,

FIG. 3 is a left, front, top perspective view thereof.

1 Claim, 3 Drawing Sheets



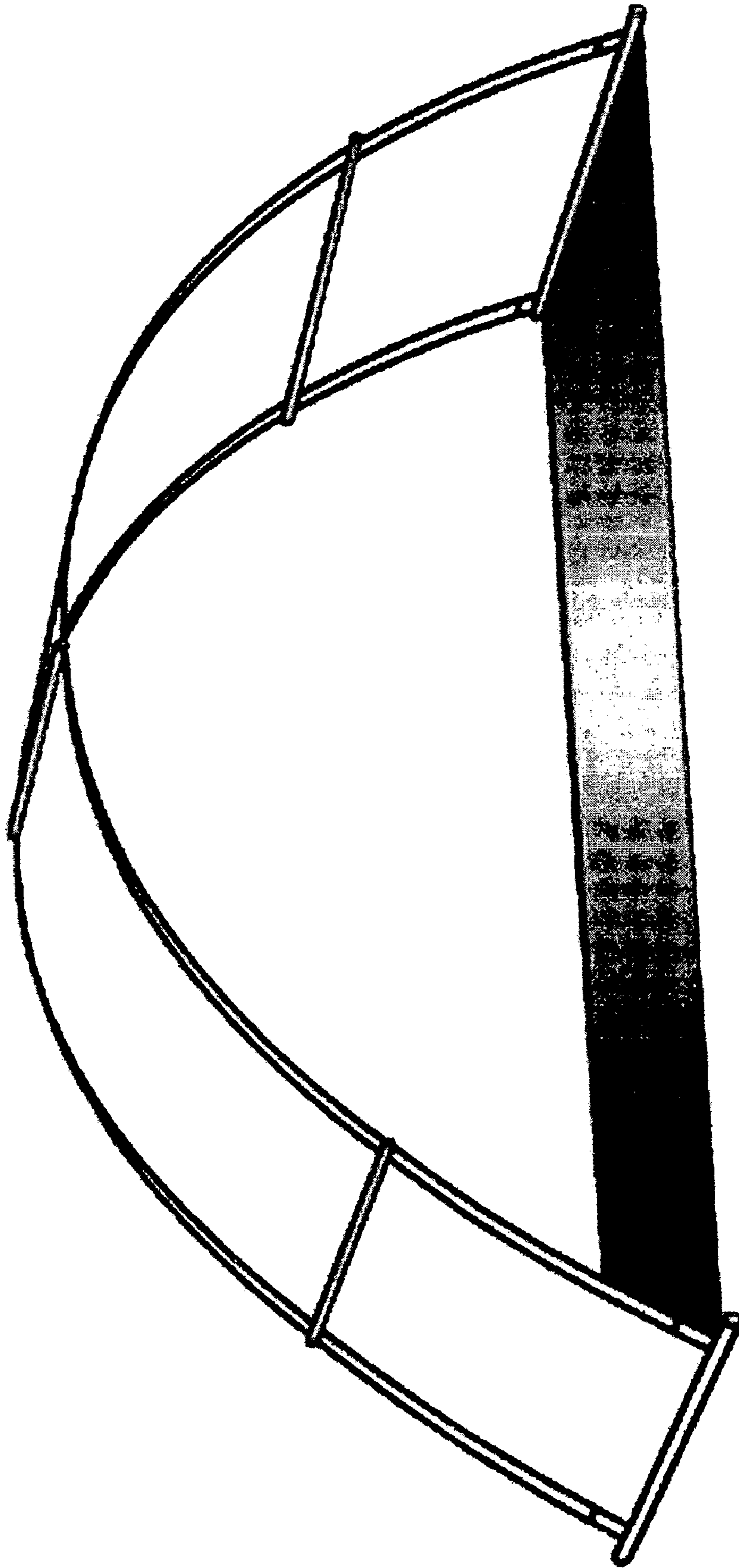


Fig. 1

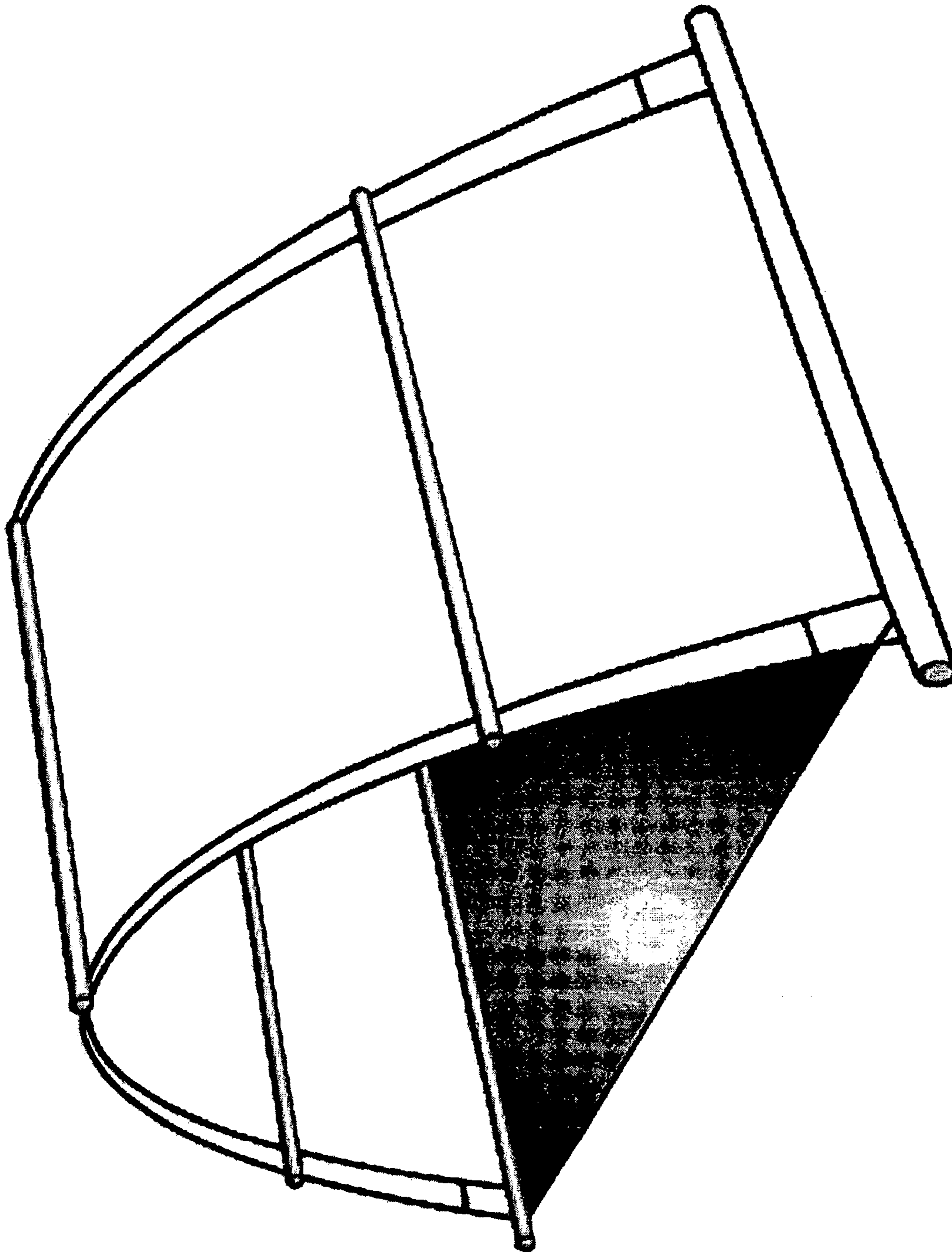


FIG. 2

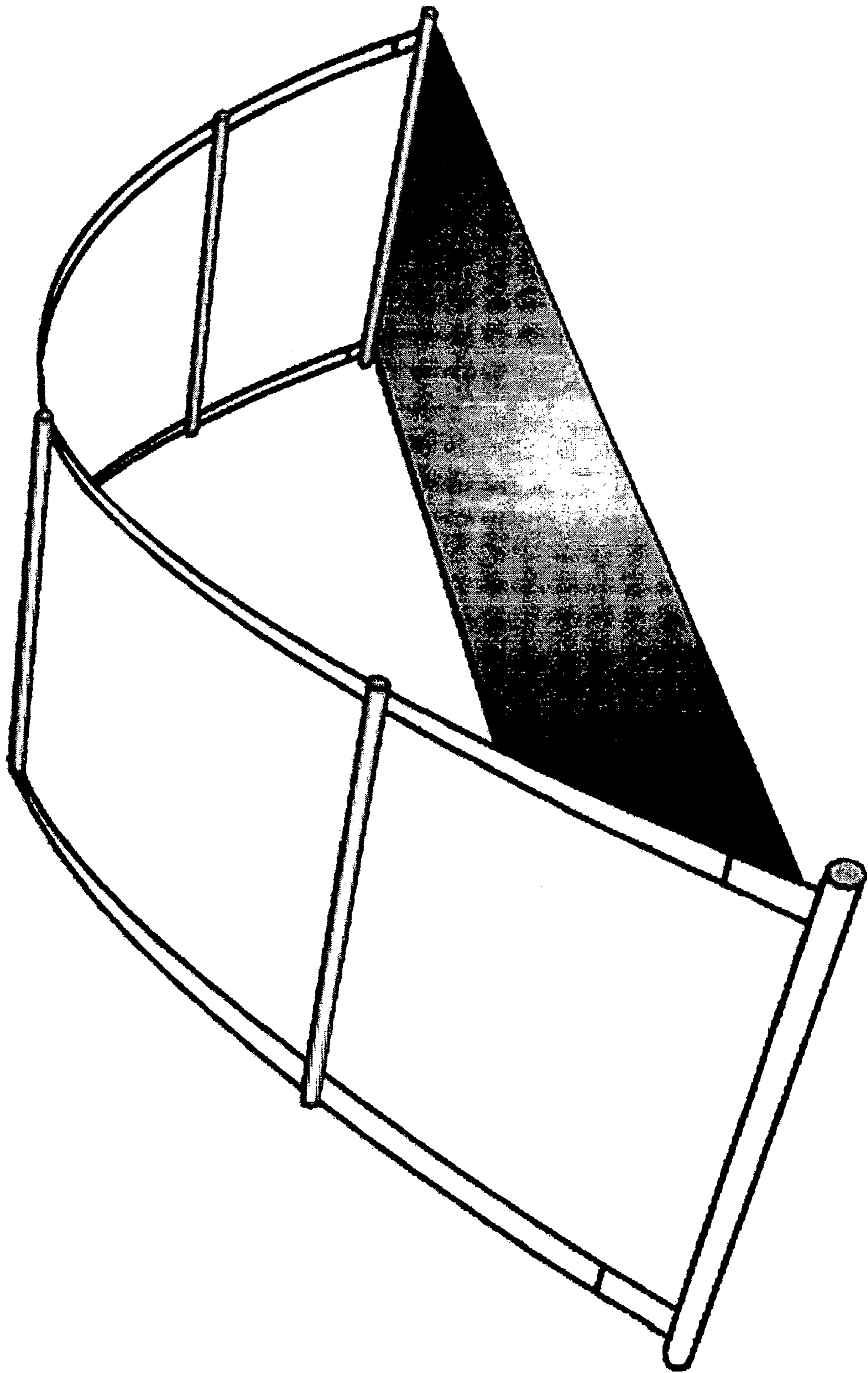


Fig. 3