



US00D544060S

(12) **United States Design Patent**
Trudeau et al.

(10) **Patent No.:** **US D544,060 S**
(45) **Date of Patent:** **** Jun. 5, 2007**

(54) **WINDSHIELD-MOUNTED PUNCH BAG**

(76) Inventors: **Helen Trudeau**, 221 Canice Street, Apt 2, Orillia, Ontario (CA) L3V 4J1;
Jonathon Couchie, 233 Matchedash Street North, Orillia, Ontario (CA) L3V 5K1

(**) Term: **14 Years**

(21) Appl. No.: **29/262,962**

(22) Filed: **Jul. 14, 2006**

(51) **LOC (8) Cl.** **21-02**

(52) **U.S. Cl.** **D21/787**

(58) **Field of Classification Search** D21/787,
D21/662, 684, 686; D12/400, 415, 418,
D12/188, 223; D8/349, 354, 363, 373, 380;
482/83-90, 908; 248/206.1, 206.3, 206.4,
248/208, 205.1, 309.3, 317, 363; 211/87.01
See application file for complete search history.

(56) **References Cited**

U.S. PATENT DOCUMENTS

737,889	A *	9/1903	Yoerger	482/87
1,066,437	A *	7/1913	Rank	482/87
1,173,786	A *	2/1916	Diehl	482/87
2,661,212	A *	12/1953	Hilton	482/86
4,653,746	A *	3/1987	Brunier	482/87
D291,339	S *	8/1987	Charles	D21/787
5,246,193	A *	9/1993	Faidley	248/206.3
5,386,960	A *	2/1995	O'Brien	248/205.5
D440,269	S *	4/2001	Thomas	D21/787

D483,828 S * 12/2003 Perez D21/798
2005/0227825 A1 * 10/2005 Kutov 482/83

* cited by examiner

Primary Examiner—Catherine Tuttle

(74) *Attorney, Agent, or Firm*—Mike M. Gauthier

(57) **CLAIM**

We claim the ornamental design for the windshield-mounted punch bag as shown and described.

DESCRIPTION

The present design relates to a windshield-mountable punch bag where such installation is positionally stable, rigid and non-obtrusive to a driver's vision. The device of the present design removably attaches to the upper inner central portion of a windshield using suction-type cup fasteners. Additionally, the lower portion of the device is detachable and can incorporate the insertion of a plurality of ornamental or functional devices.

FIG. 1 is a top perspective view of the windshield-mounted punch bag showing our new design installed on a windshield;

FIG. 2 is a left side elevation view thereof.

FIG. 3 is a right side elevation view thereof.

FIG. 4 is a front elevation view thereof; and,

FIG. 5 is a bottom plan view thereof.

The dotted lines in the drawing figures are for illustrative purposes only and do not form part of the claimed design.

1 Claim, 4 Drawing Sheets

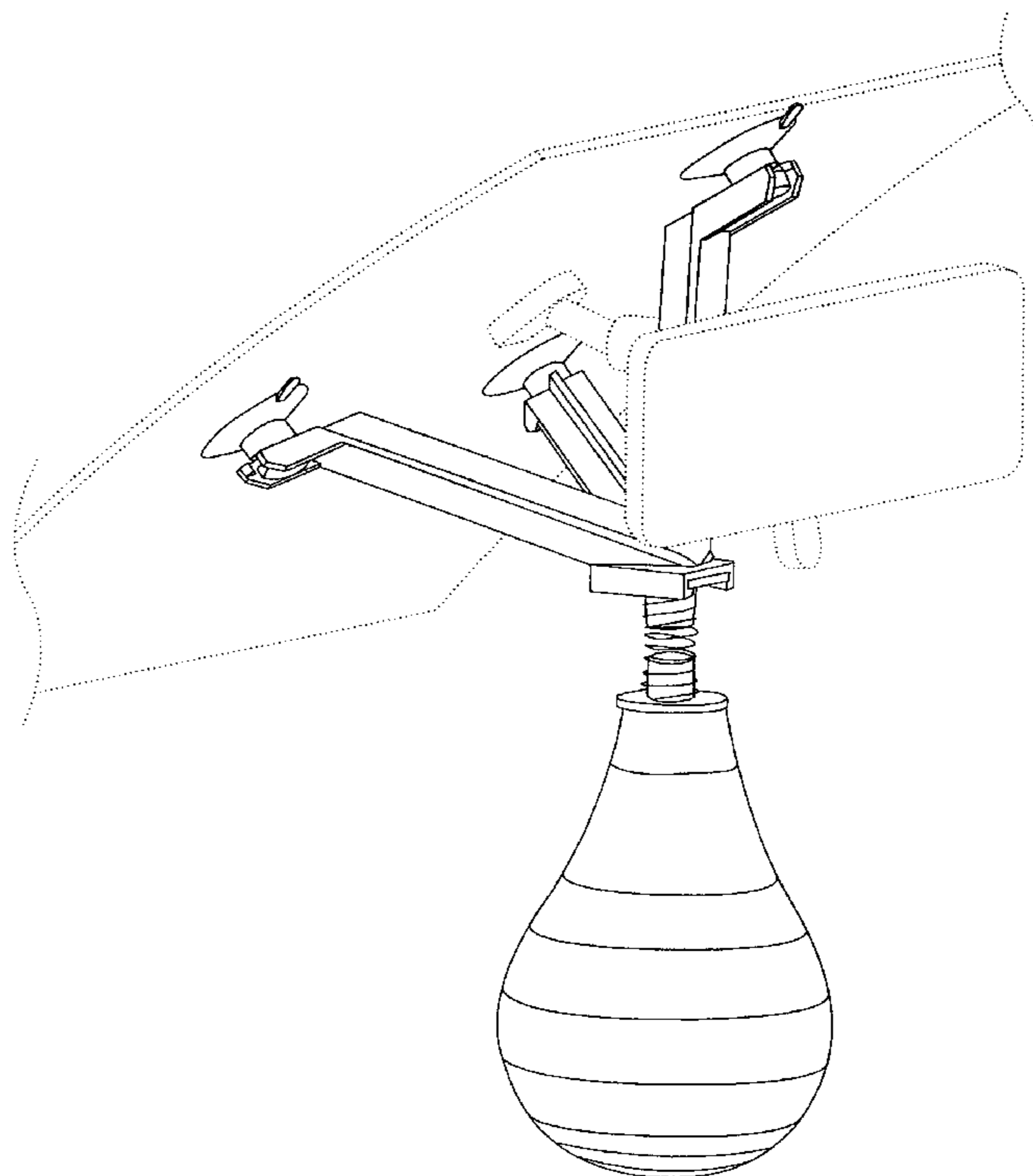
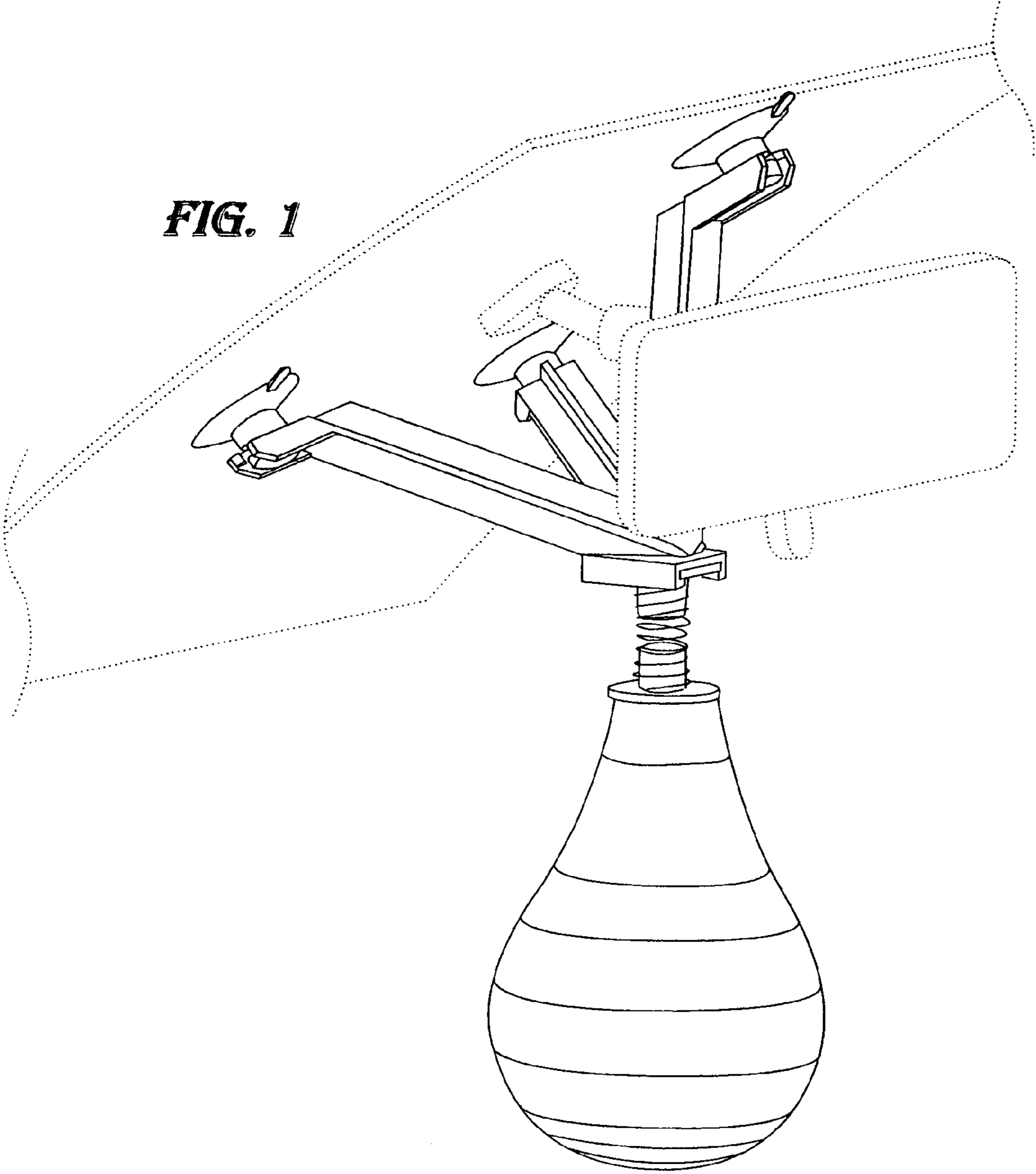
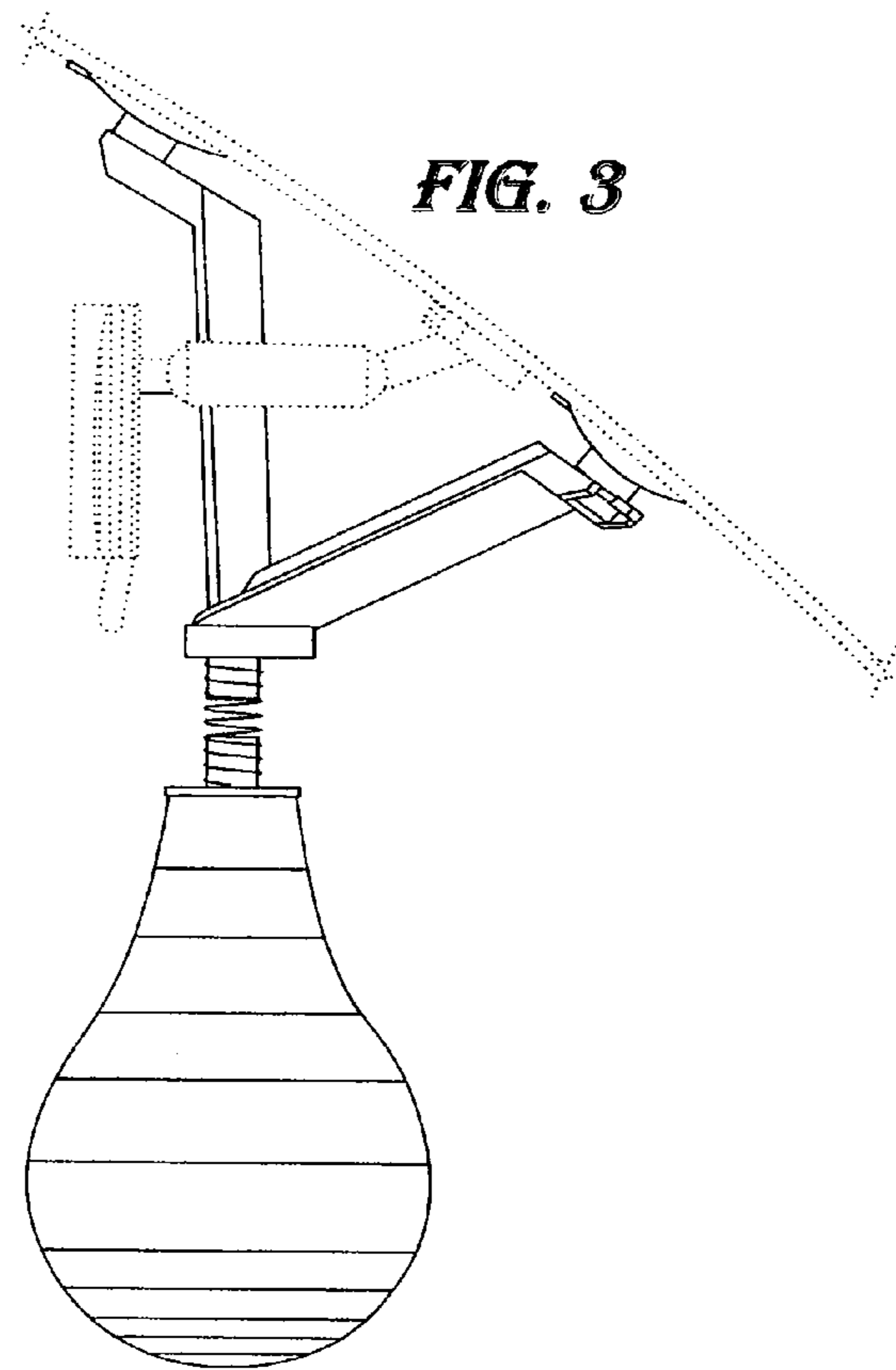
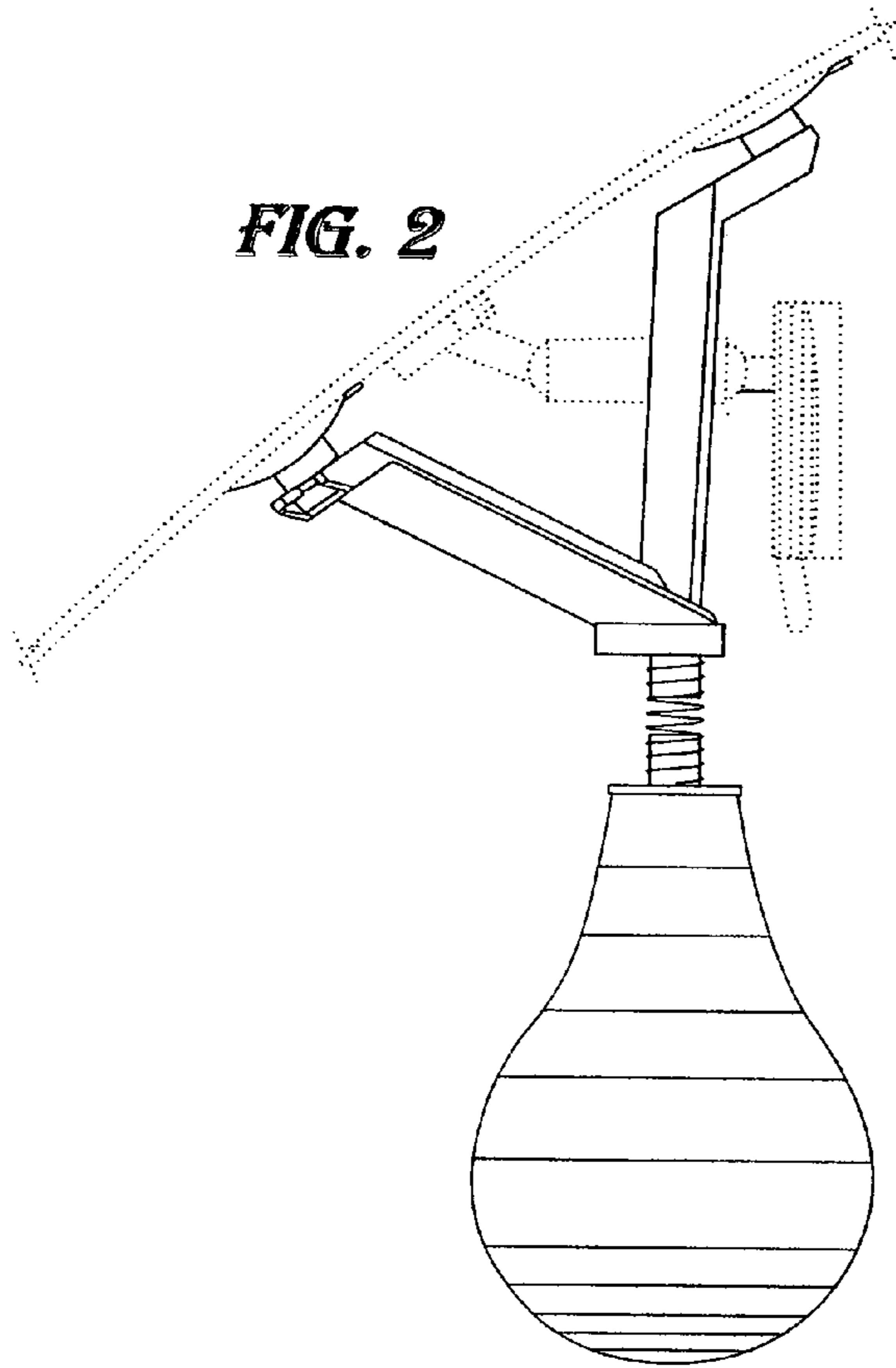


FIG. 1





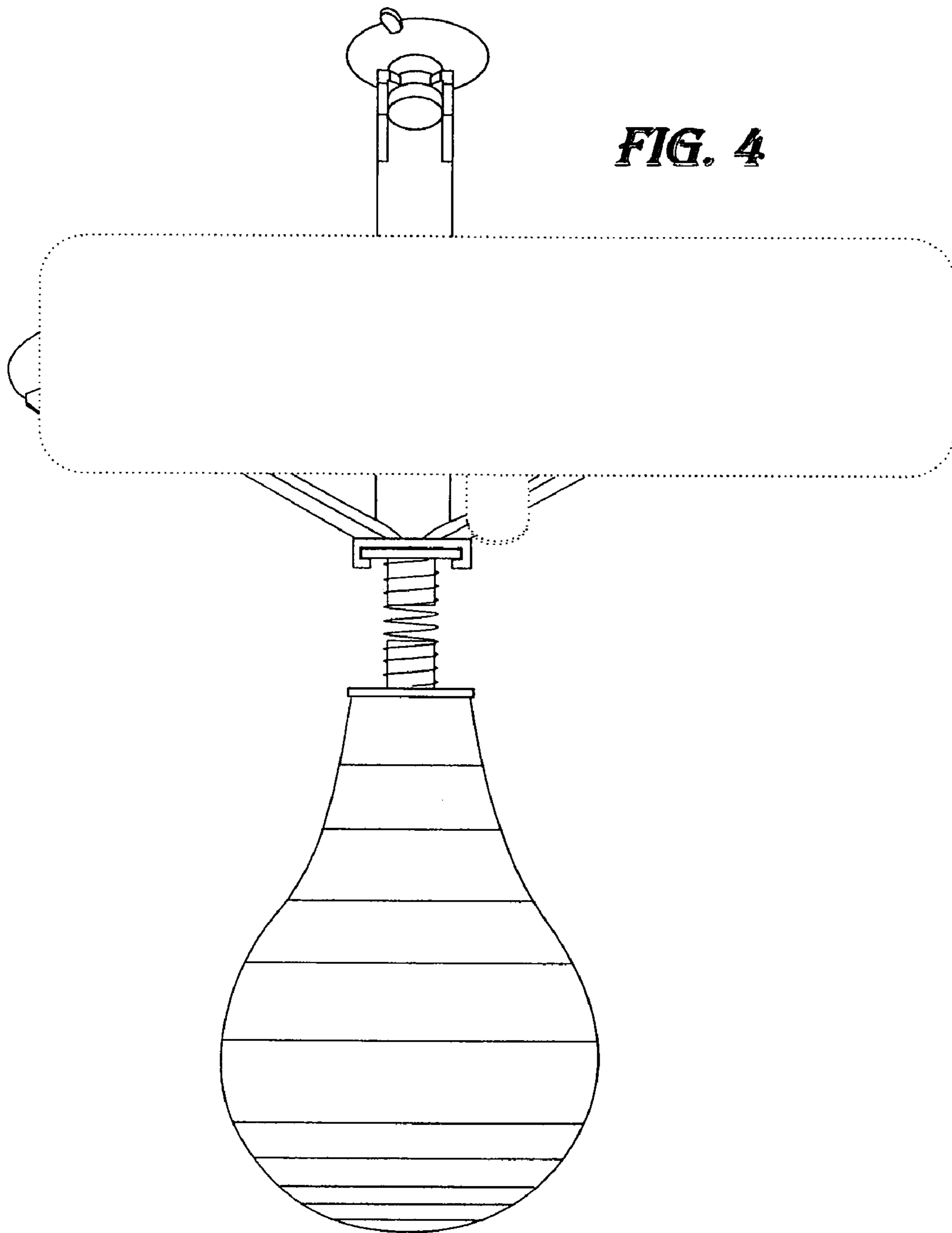


FIG. 4

