

US00D544056S

(12) **United States Design Patent**
Nicolette et al.

(10) **Patent No.:** **US D544,056 S**
(45) **Date of Patent:** **** Jun. 5, 2007**

(54) **GOLF IRON HEAD**

(75) Inventors: **Michael R. Nicolette**, Scottsdale, AZ (US); **Marty R. Jertson**, Phoenix, AZ (US); **Bradley D. Schweigert**, Anthem, AZ (US); **Xiaojian Chen**, Phoenix, AZ (US); **John A. Solheim**, Phoenix, AZ (US)

(73) Assignee: **Karsten Manufacturing Corporation**, Phoenix, AZ (US)

(**) Term: **14 Years**

(21) Appl. No.: **29/257,257**

(22) Filed: **Mar. 30, 2006**

(51) **LOC (8) Cl.** **21-02**

(52) **U.S. Cl.** **D21/749**

(58) **Field of Classification Search** D21/747-751, D21/759; 473/324-331, 350
See application file for complete search history.

(56) **References Cited**

U.S. PATENT DOCUMENTS

D362,481 S	*	9/1995	Takahashi et al.	D21/749
D422,043 S		3/2000	Kubica et al.		
D429,299 S		8/2000	Kubica et al.		
D442,659 S		5/2001	Kubica et al.		
D443,008 S		5/2001	Kubica et al.		
D444,195 S	*	6/2001	Wahl et al.	D21/748
D445,157 S	*	7/2001	Jones et al.	D21/749
D469,834 S	*	2/2003	Saraie	D21/749

D473,605 S		4/2003	Petersen et al.		
D476,708 S	*	7/2003	Wahl et al.	D21/747
D489,106 S	*	4/2004	Wahl et al.	D21/749
D492,376 S		6/2004	Nicolette et al.		
D494,648 S		8/2004	Schweigert et al.		
D501,035 S	*	1/2005	Wahl et al.	D21/747
D502,237 S		2/2005	Schweigert et al.		
D502,975 S		3/2005	Schweigert et al.		
D503,204 S		3/2005	Nicolette et al.		
D504,925 S		5/2005	Schweigert et al.		
D514,183 S		1/2006	Schweigert et al.		

* cited by examiner

Primary Examiner—Mitchell Siegel

(74) *Attorney, Agent, or Firm*—Darrell F. Marquette

(57) **CLAIM**

The ornamental design for a golf iron head, as shown and described.

DESCRIPTION

FIG. 1 is a front perspective view of a golf iron head showing our new design;

FIG. 2 is a front elevational view of the golf iron head of FIG. 1;

FIG. 3 is a rear perspective view of the golf iron head of FIG. 1;

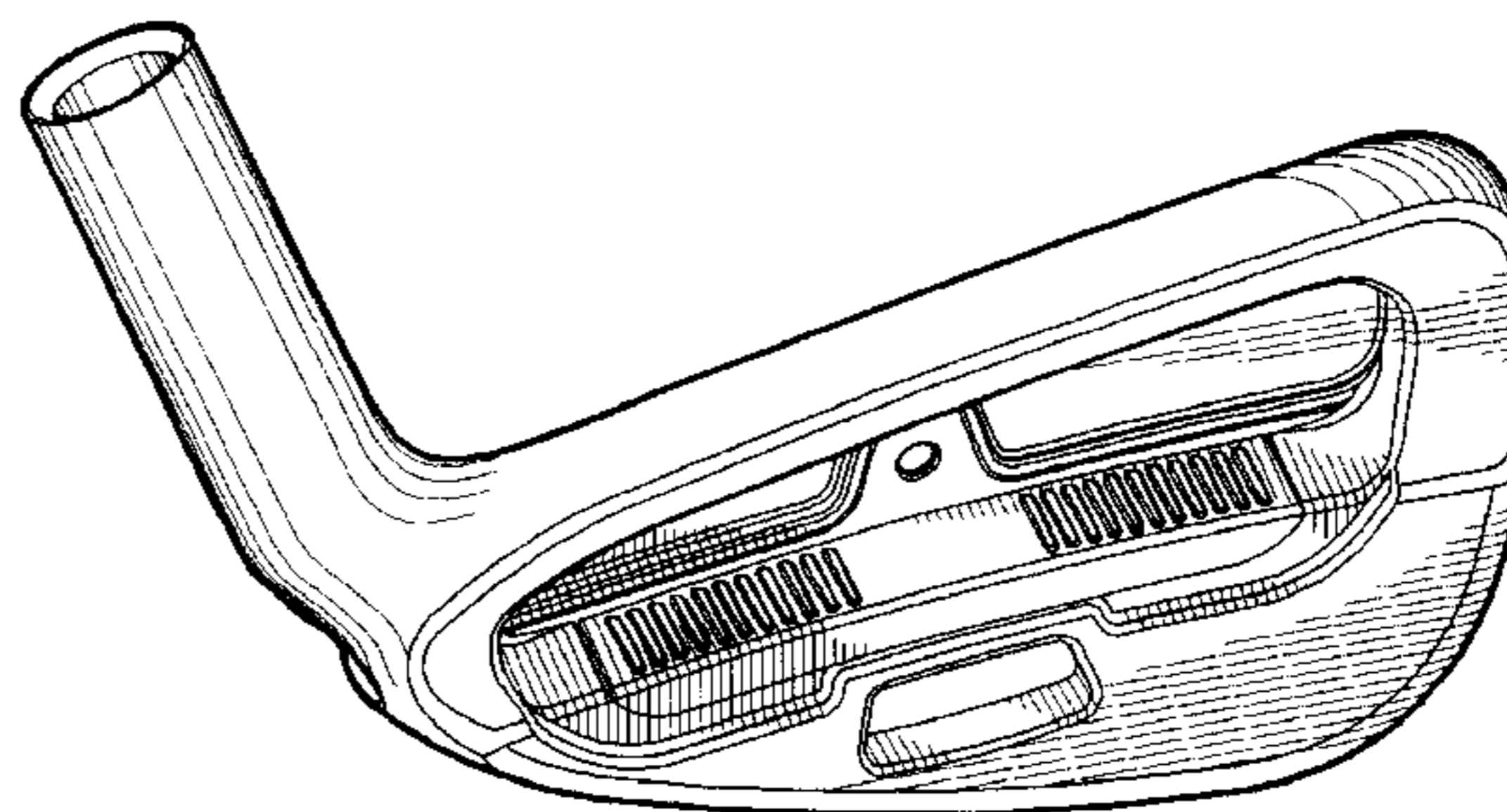
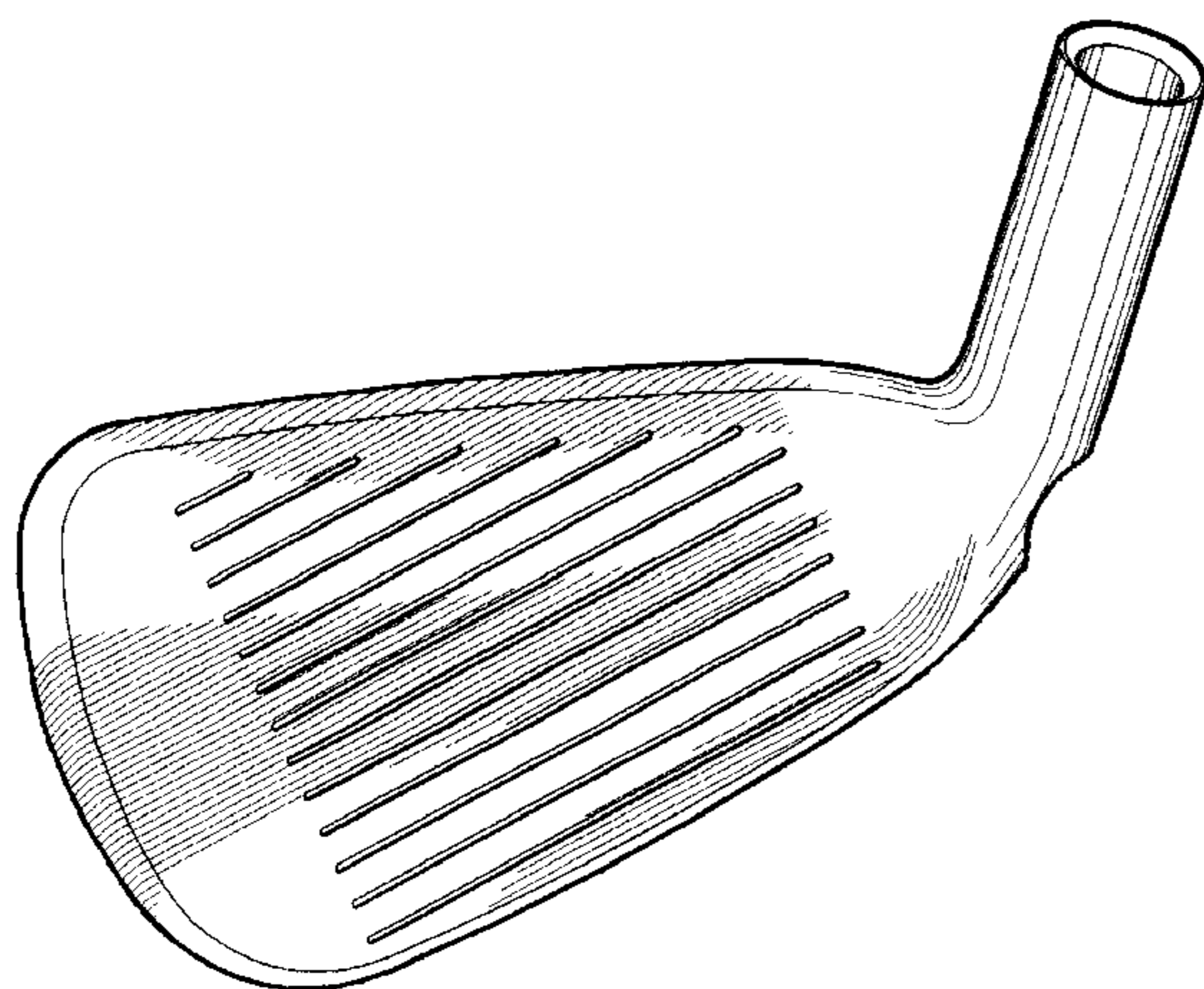
FIG. 4 is a top view of the golf iron head of FIG. 1;

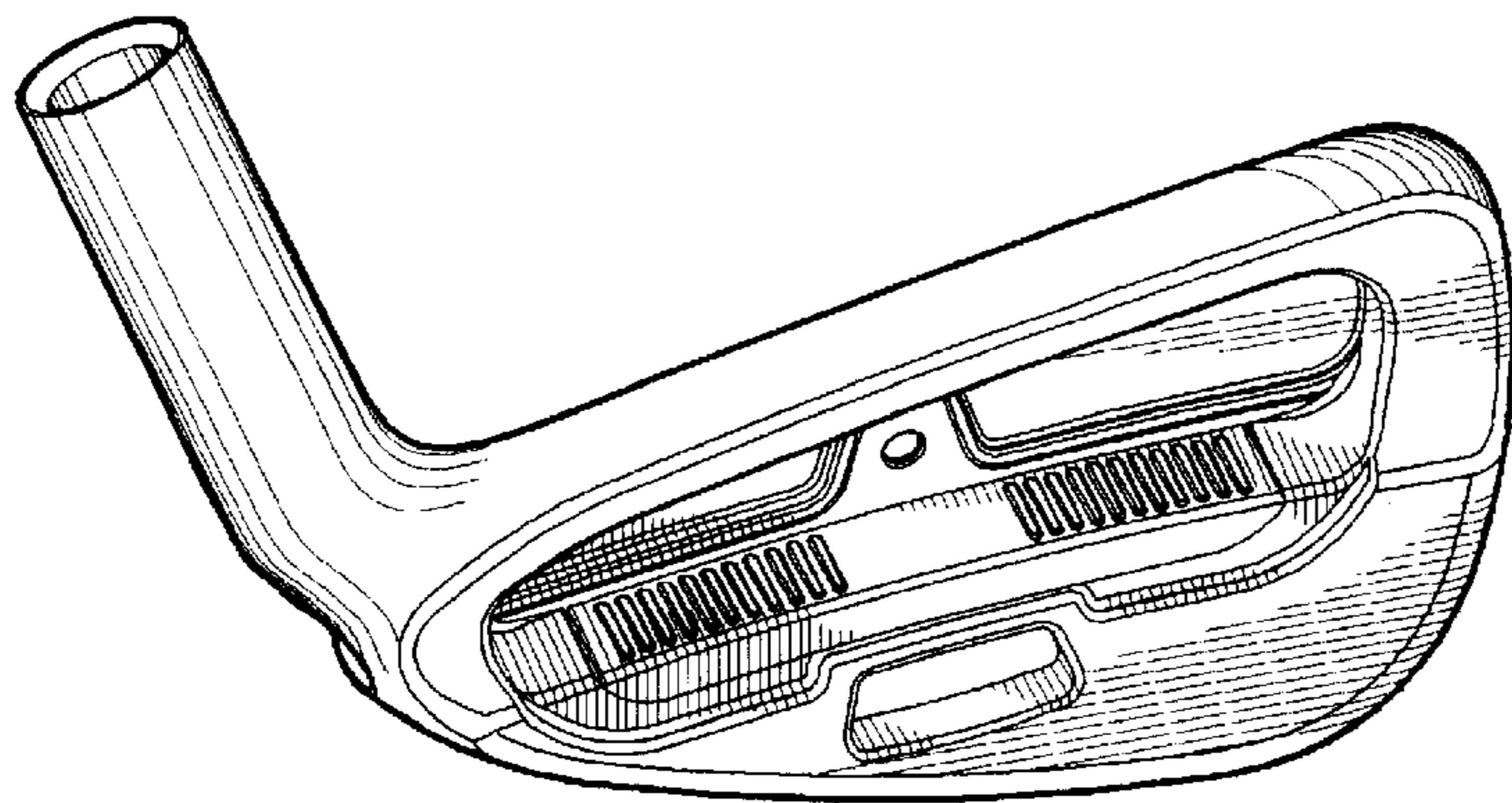
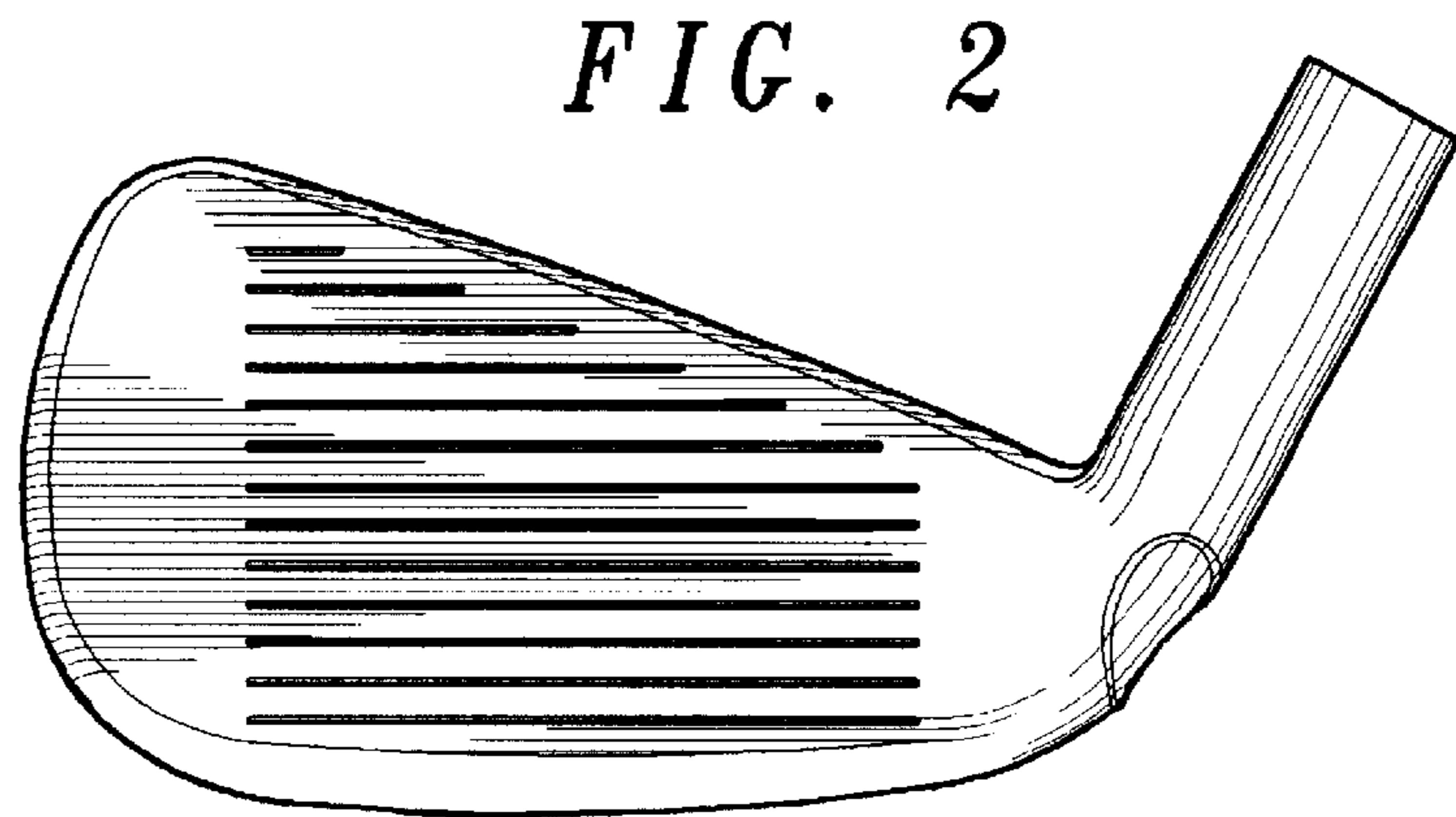
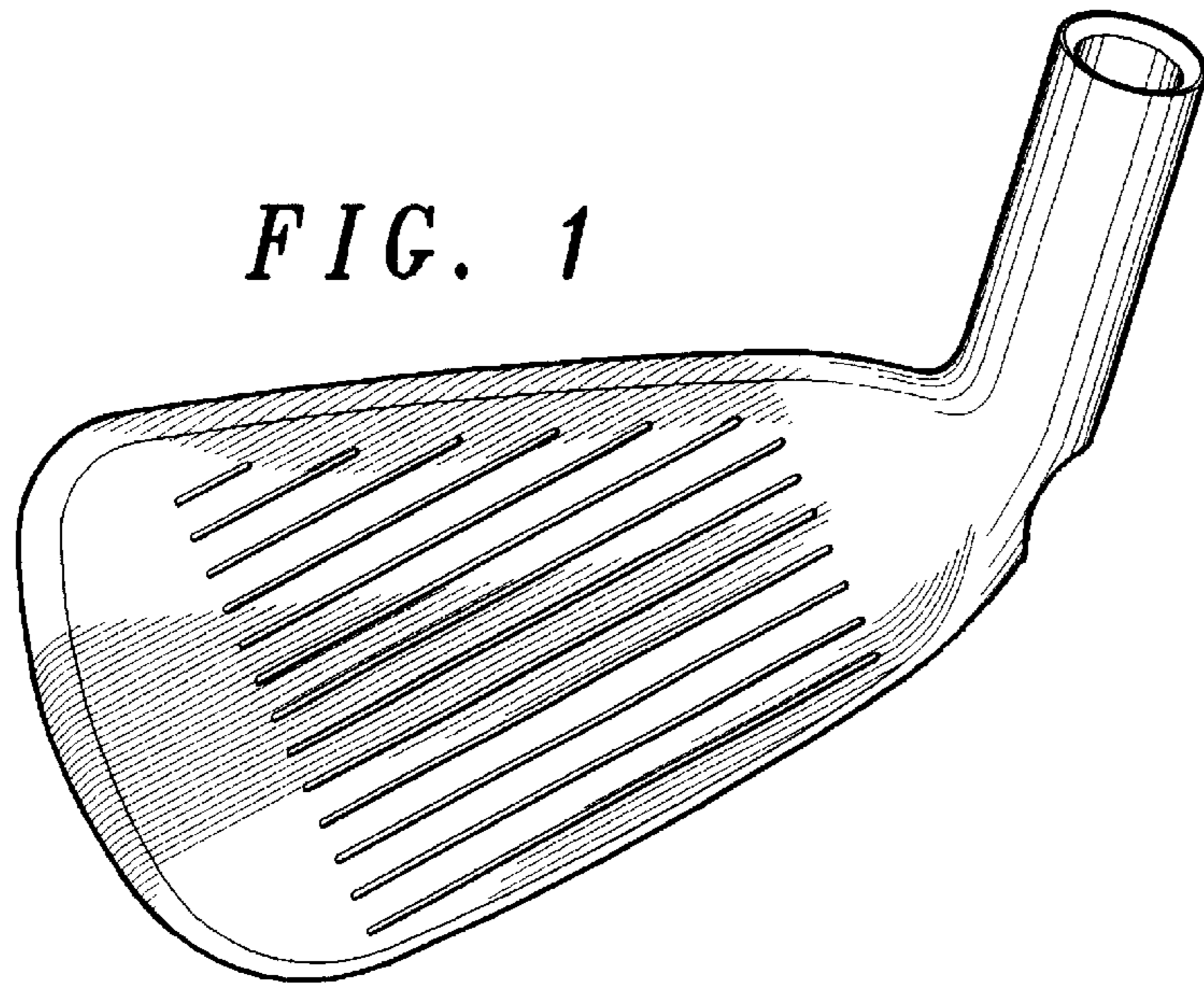
FIG. 5 is a bottom view of the golf iron head of FIG. 1;

FIG. 6 is a heel end view of the golf iron head of FIG. 1; and,

FIG. 7 is a toe end view of the golf iron head of FIG. 1.

1 Claim, 2 Drawing Sheets





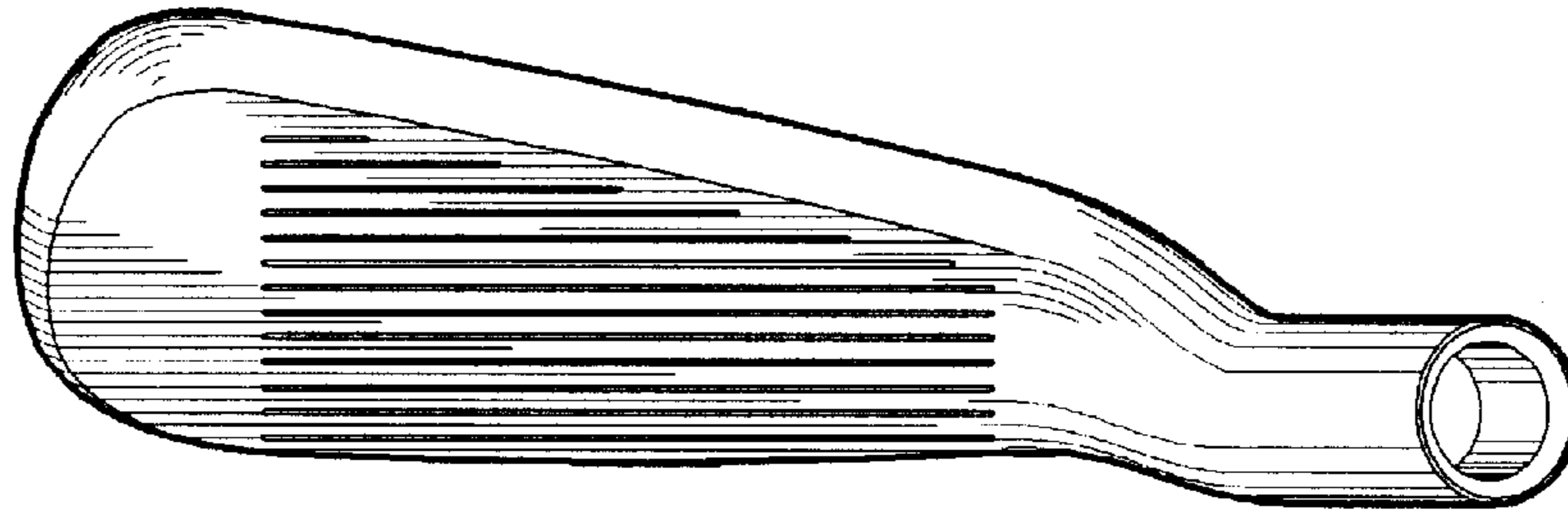


FIG. 4

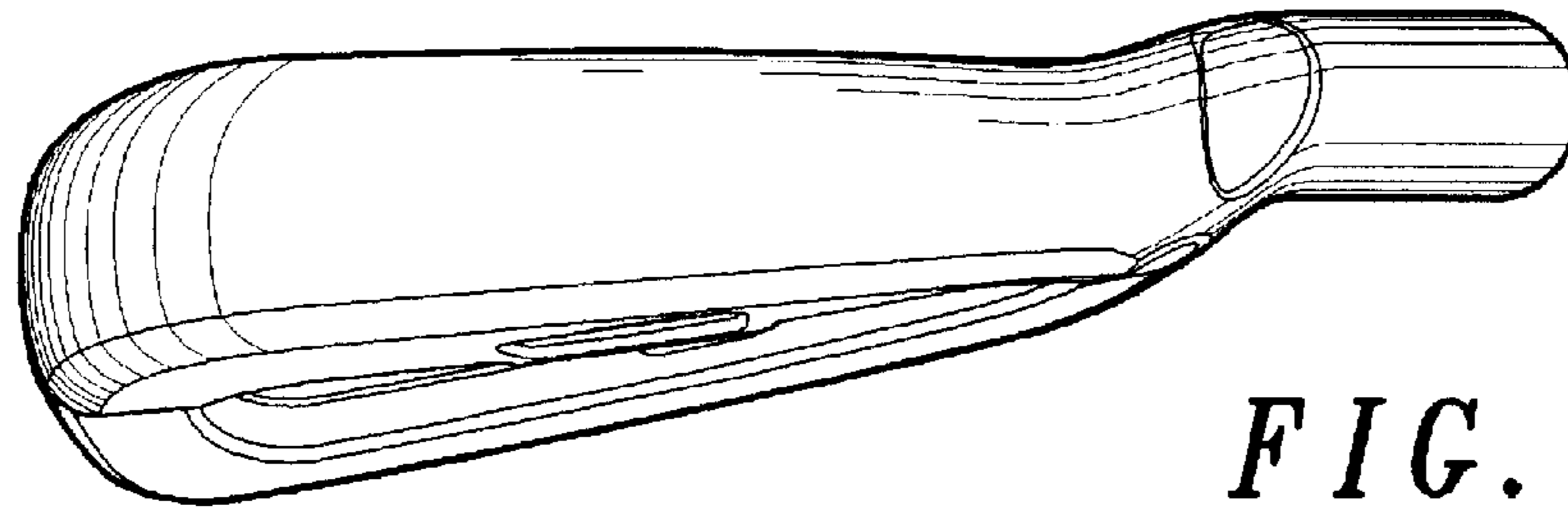


FIG. 5

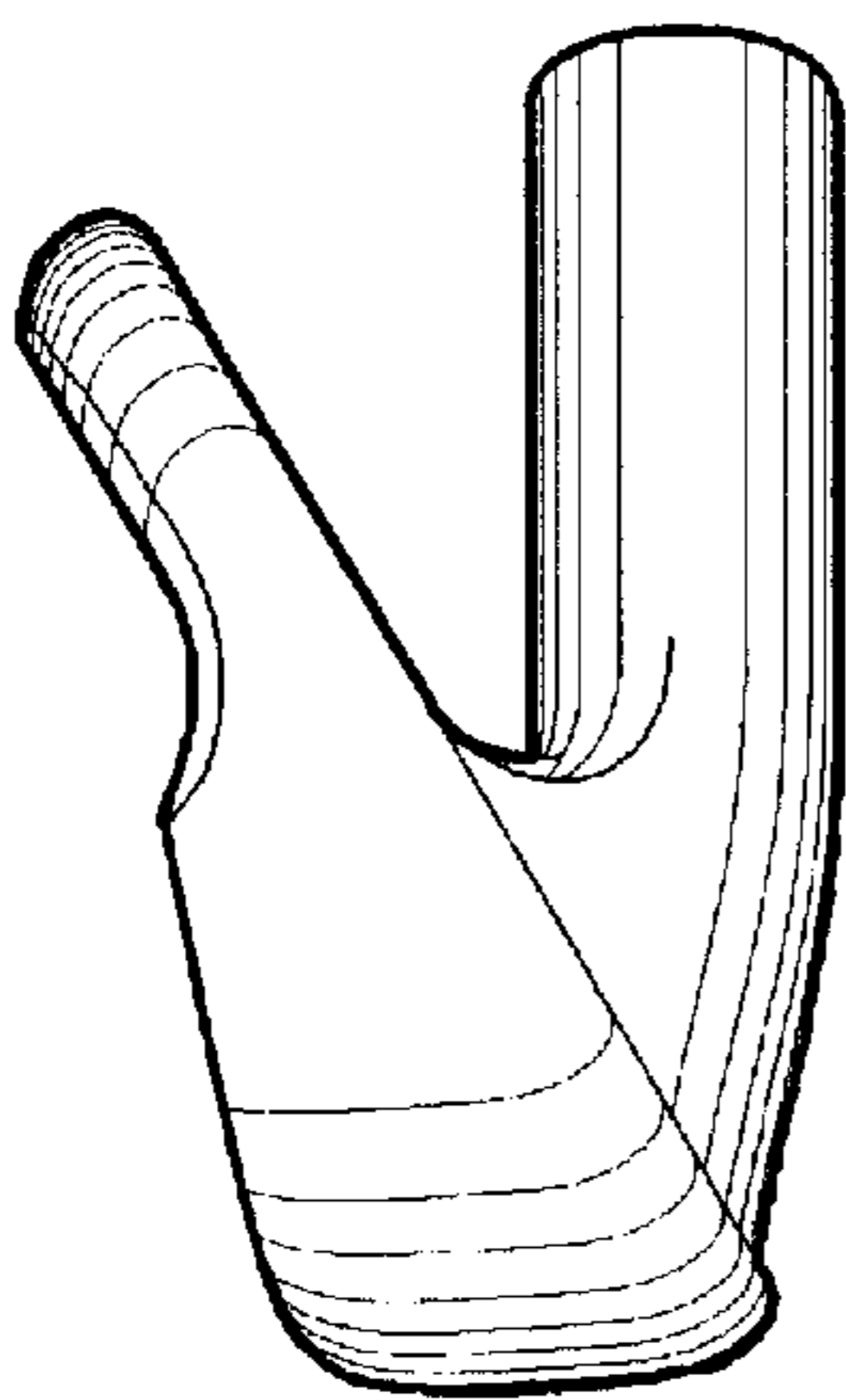


FIG. 6

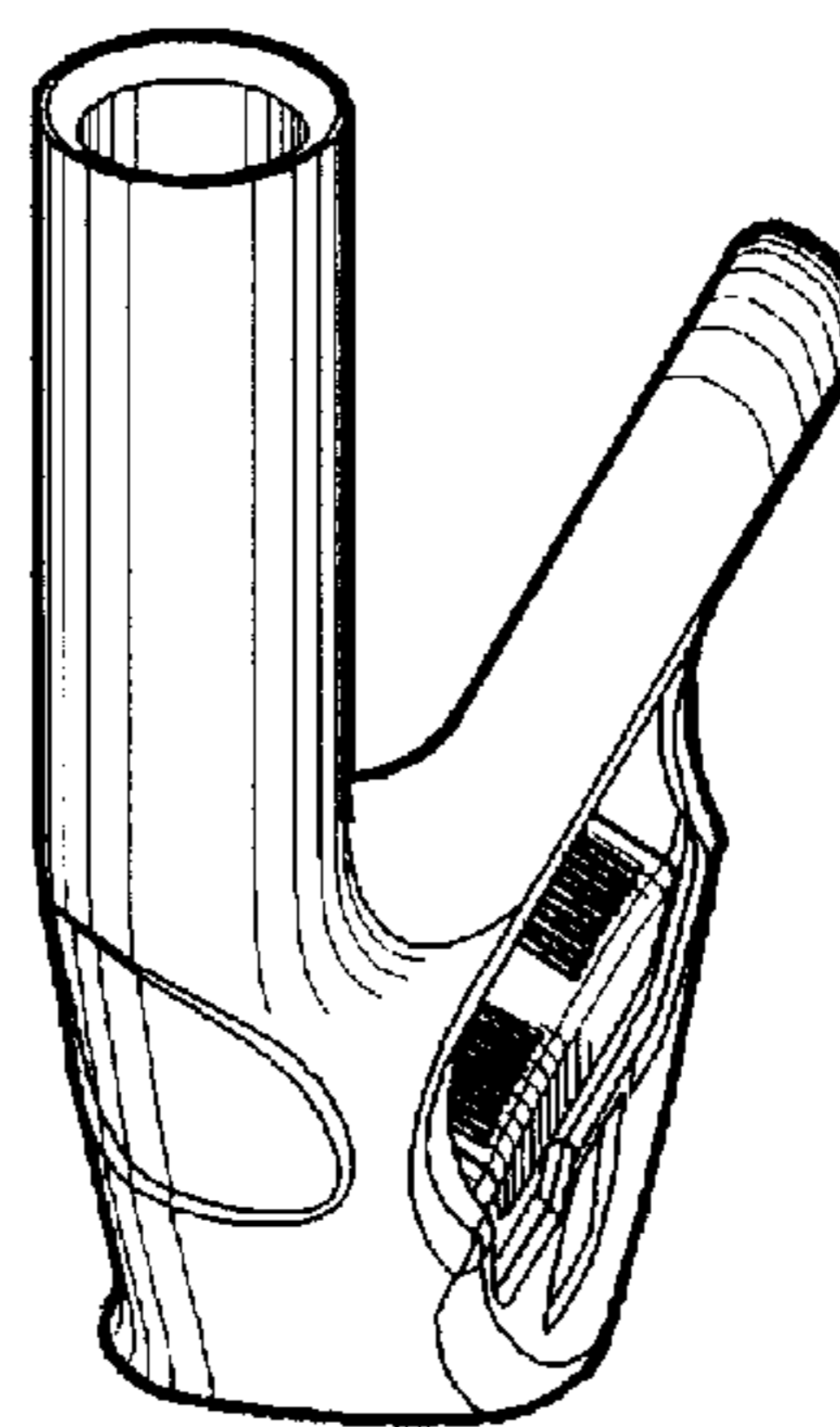


FIG. 7