



US00D544050S

(12) **United States Design Patent**
Webber

(10) **Patent No.:** **US D544,050 S**
(45) **Date of Patent:** **** Jun. 5, 2007**

(54) **BODY WEIGHT EXERCISE APPARATUS**

(76) Inventor: **Randall T. Webber**, 1265 Park Row,
La Jolla, CA (US) 92037

(**) Term: **14 Years**

(21) Appl. No.: **29/243,751**

(22) Filed: **Nov. 30, 2005**

(51) **LOC (8) Cl.** **21-02**

(52) **U.S. Cl.** **D21/686**

(58) **Field of Classification Search** D21/662,
D21/686, 691; 482/38, 39, 41, 96, 123, 130
See application file for complete search history.

(56) **References Cited**

U.S. PATENT DOCUMENTS

- D267,419 S * 12/1982 Komarnicki D21/691
- 4,620,701 A * 11/1986 Mojden 482/41
- D300,157 S * 3/1989 Yates D21/690
- D320,823 S * 10/1991 Tanner D21/686
- D324,708 S * 3/1992 Walsh D21/691
- D339,835 S * 9/1993 Hsieh D21/691
- 5,372,556 A * 12/1994 Ropp 482/41
- 5,407,404 A * 4/1995 Killian et al. 482/38
- D372,059 S * 7/1996 Taylor D21/691
- D480,772 S * 10/2003 Washington D21/686
- D503,757 S * 4/2005 Sjurdagardi D21/691

OTHER PUBLICATIONS

2 pages from Google image search for Dip pull up.*
VKR-41 Vertical Knee Raise, MCD-15 Chin/Dip Stand, Tuff Stuff
Brochure, Date Unknown.
Vertical Knee Raise Station, Paramount Fitness Brochure, 1999.

Vertical Knee Raise/Chin/Dip, Life Fitness a.k.a. Brunswick Corporation Brochure, 1999.

PS3 Power Stand, Keys Fitness Brochure, Date Unknown.
VKR/Dip and Chin-Up Attachment, Nautilus Fitness Products, 2001.

VKRB-6699, Trust Right Inc. Brochure, Date Unknown.

* cited by examiner

Primary Examiner—Philip S. Hyder

(57) **CLAIM**

The ornamental design for a body weight exercise apparatus, as shown.

DESCRIPTION

FIG. 1 is a front perspective view of a body weight exercise apparatus in a first exercise position, showing my new design;

FIG. 2 is a front elevational view thereof;

FIG. 3 is a right side elevational view thereof;

FIG. 4 is a left side elevational view thereof;

FIG. 5 is a top plan view thereof;

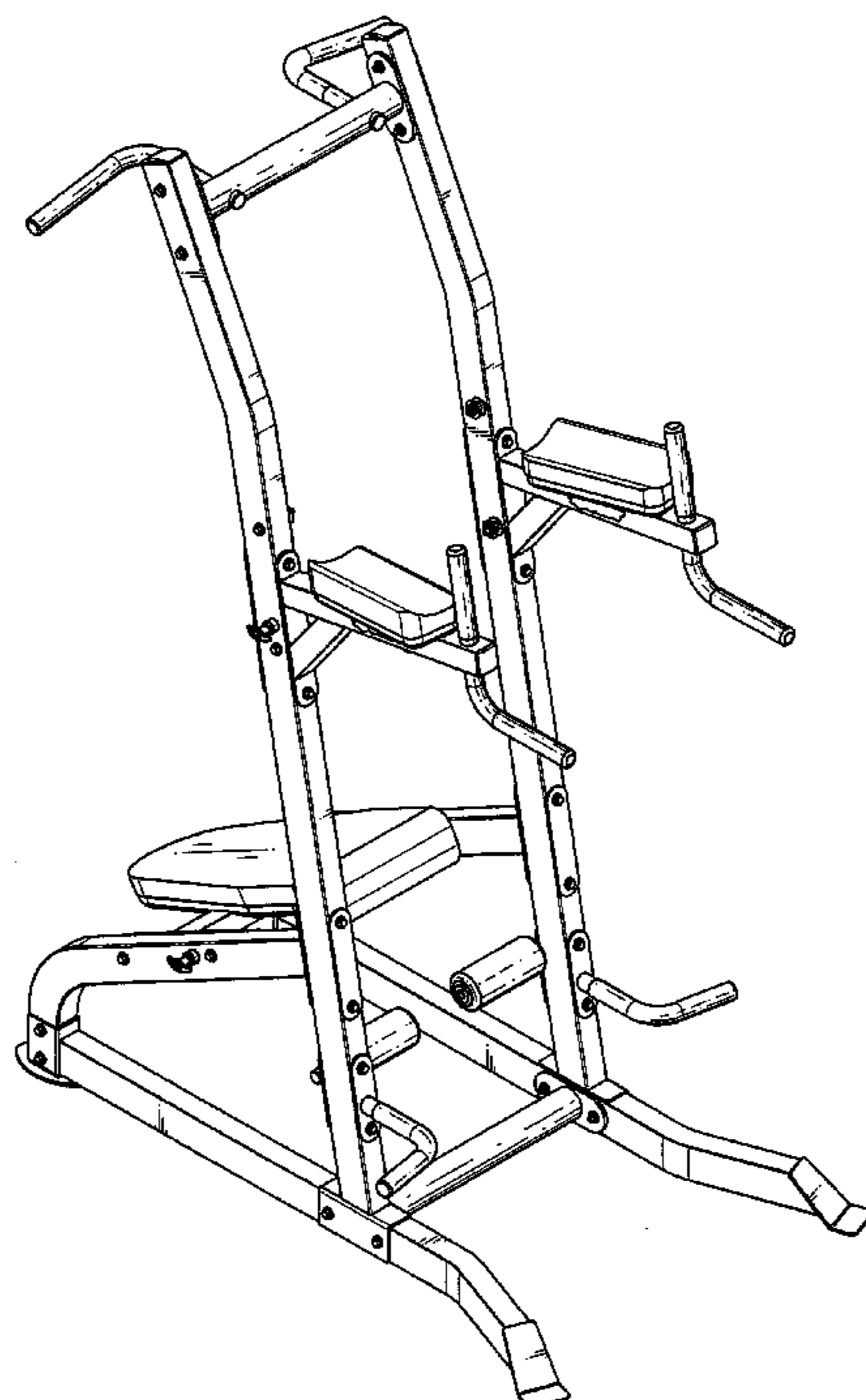
FIG. 6 is a rear elevational view thereof;

FIG. 7 is a bottom plan view thereof;

FIG. 8 is a front perspective view of the body weight exercise apparatus of FIGS. 1 through 7 but with the back pad in an alternate position; and,

FIG. 9 is a right side elevation view of the body weight exercise apparatus of FIG. 8.

1 Claim, 9 Drawing Sheets



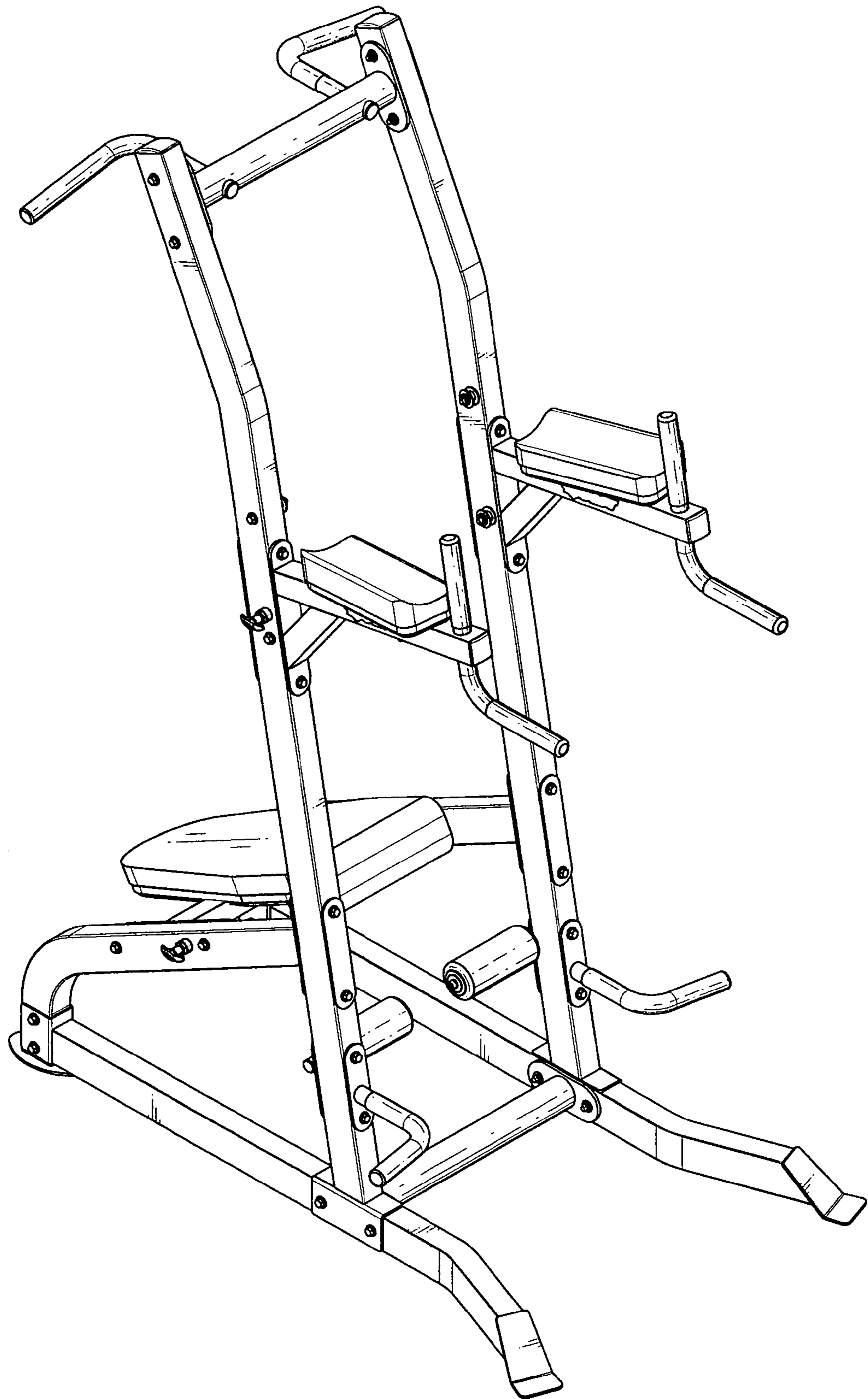


FIG. 1

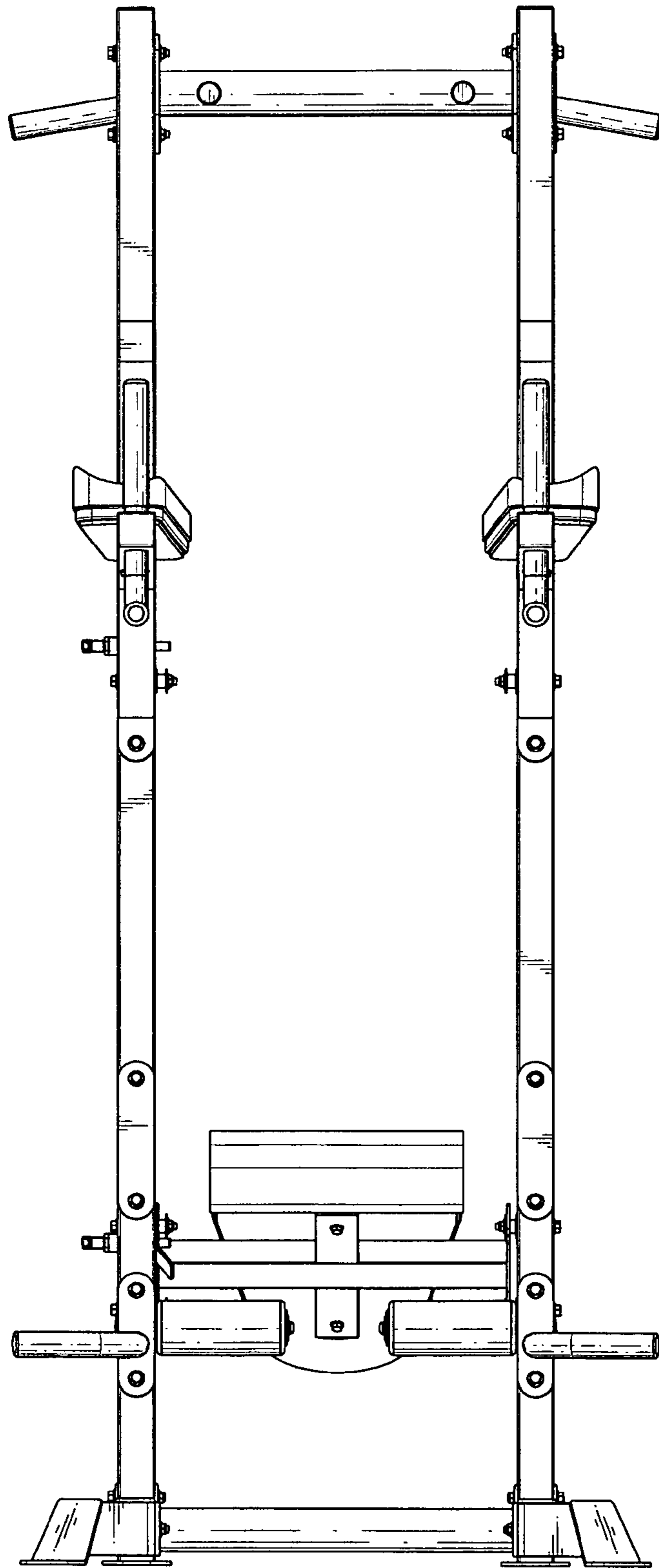


FIG. 2

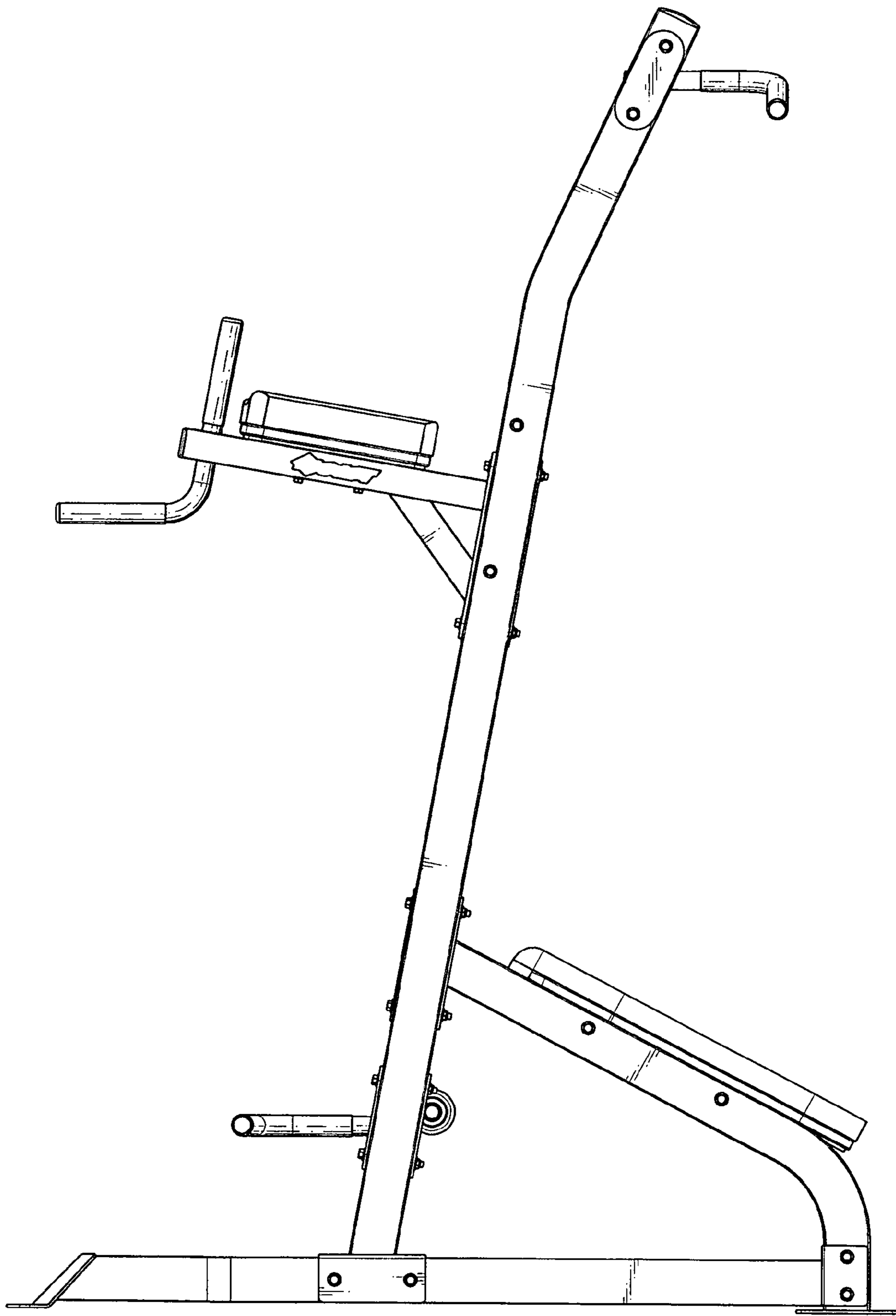


FIG. 3

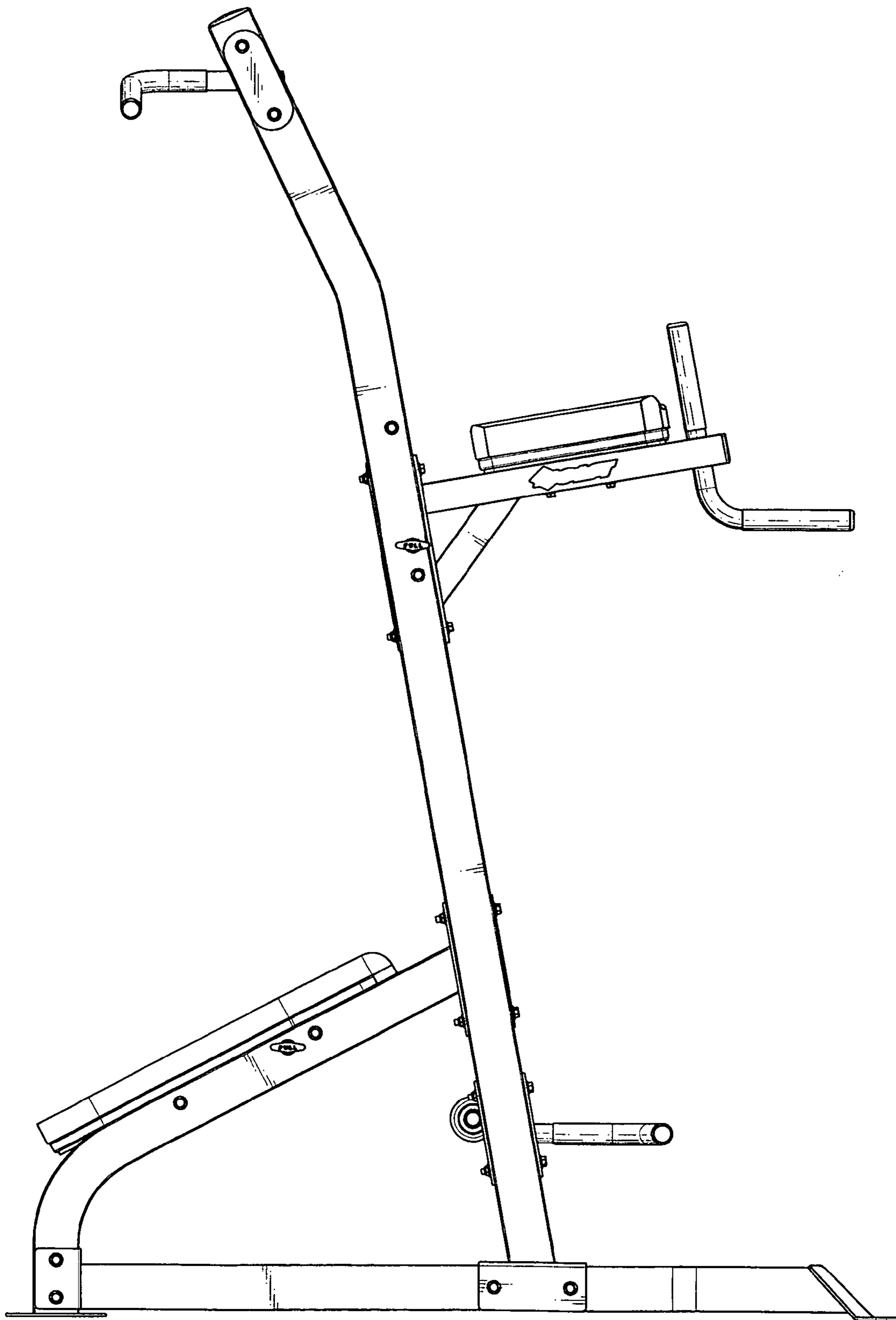


FIG. 4

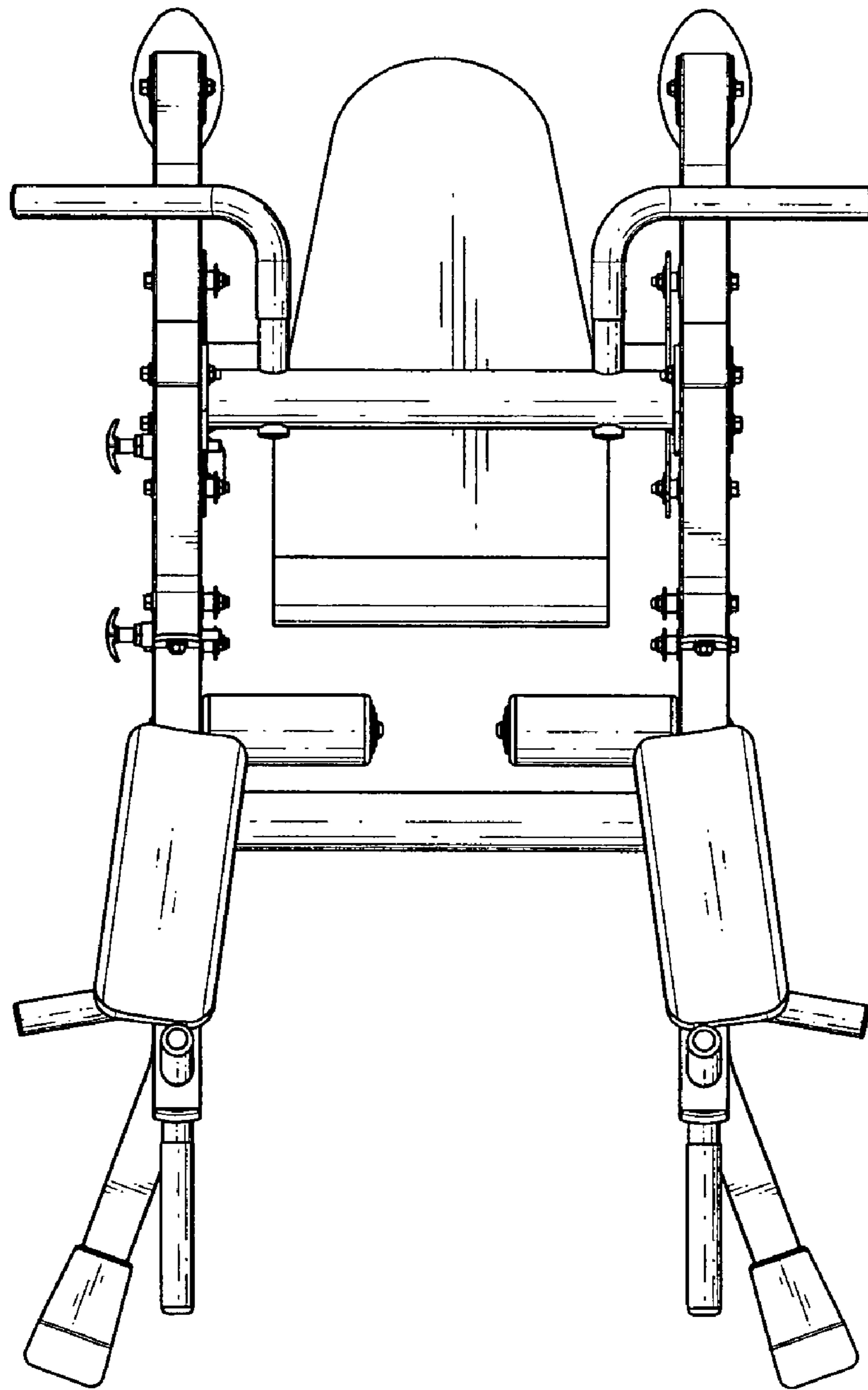


FIG. 5

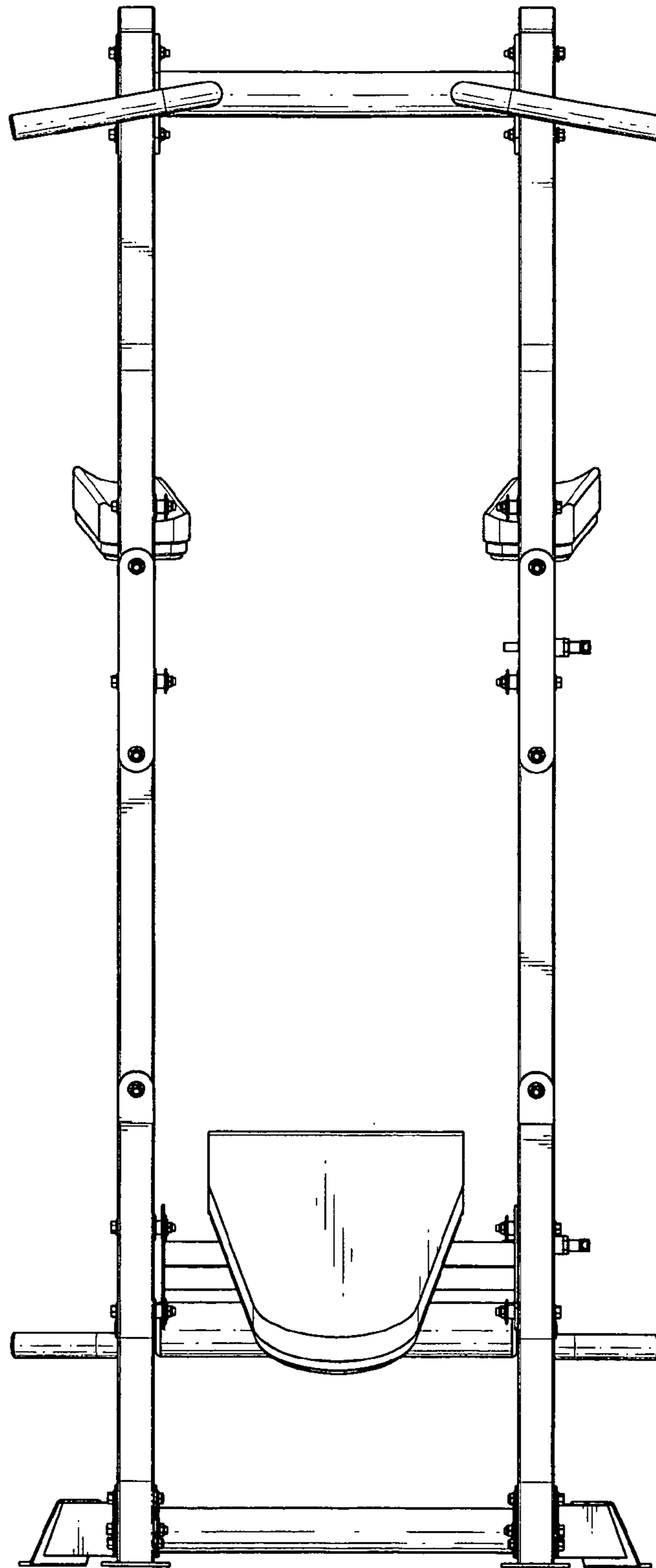


FIG. 6

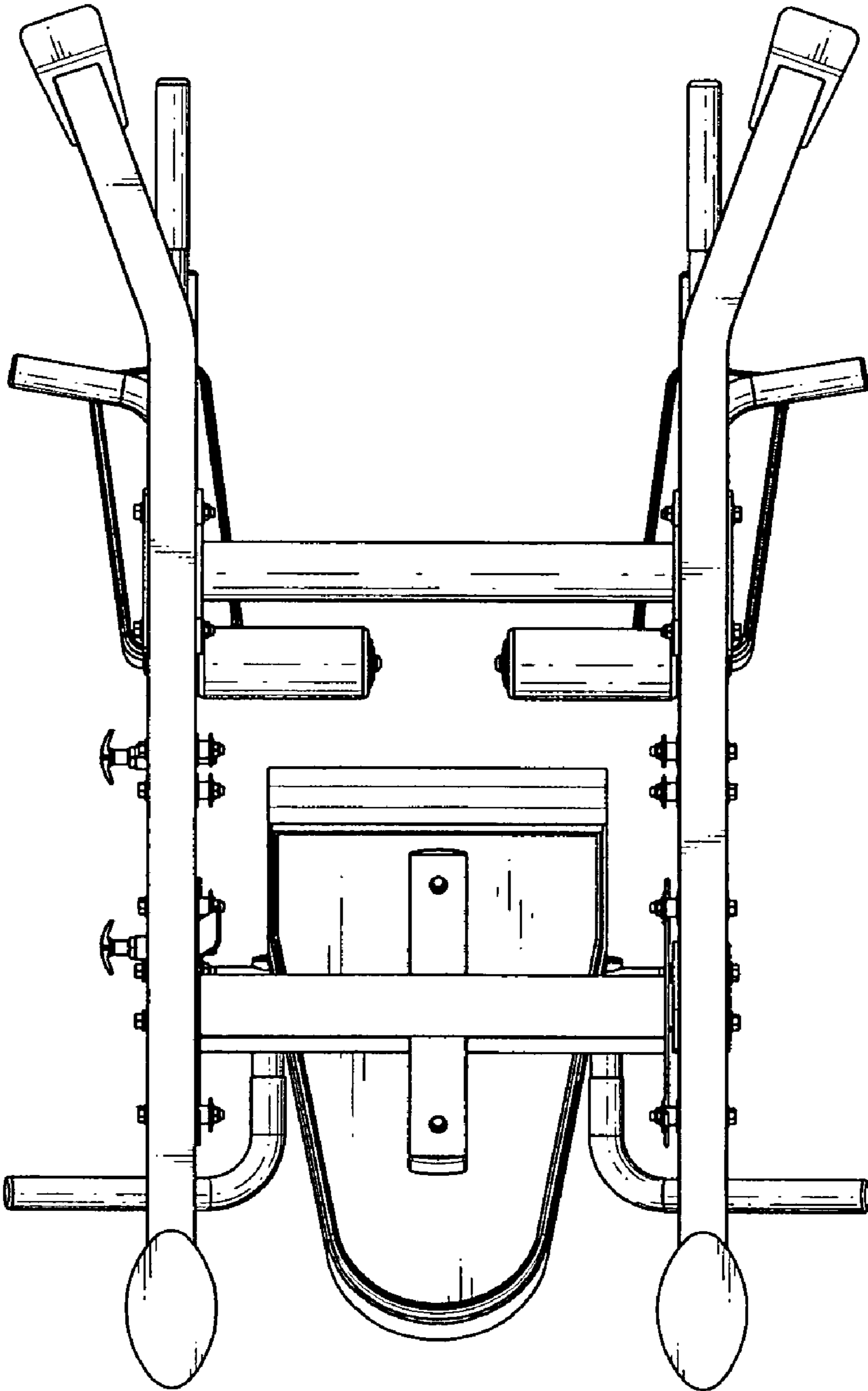


FIG. 7

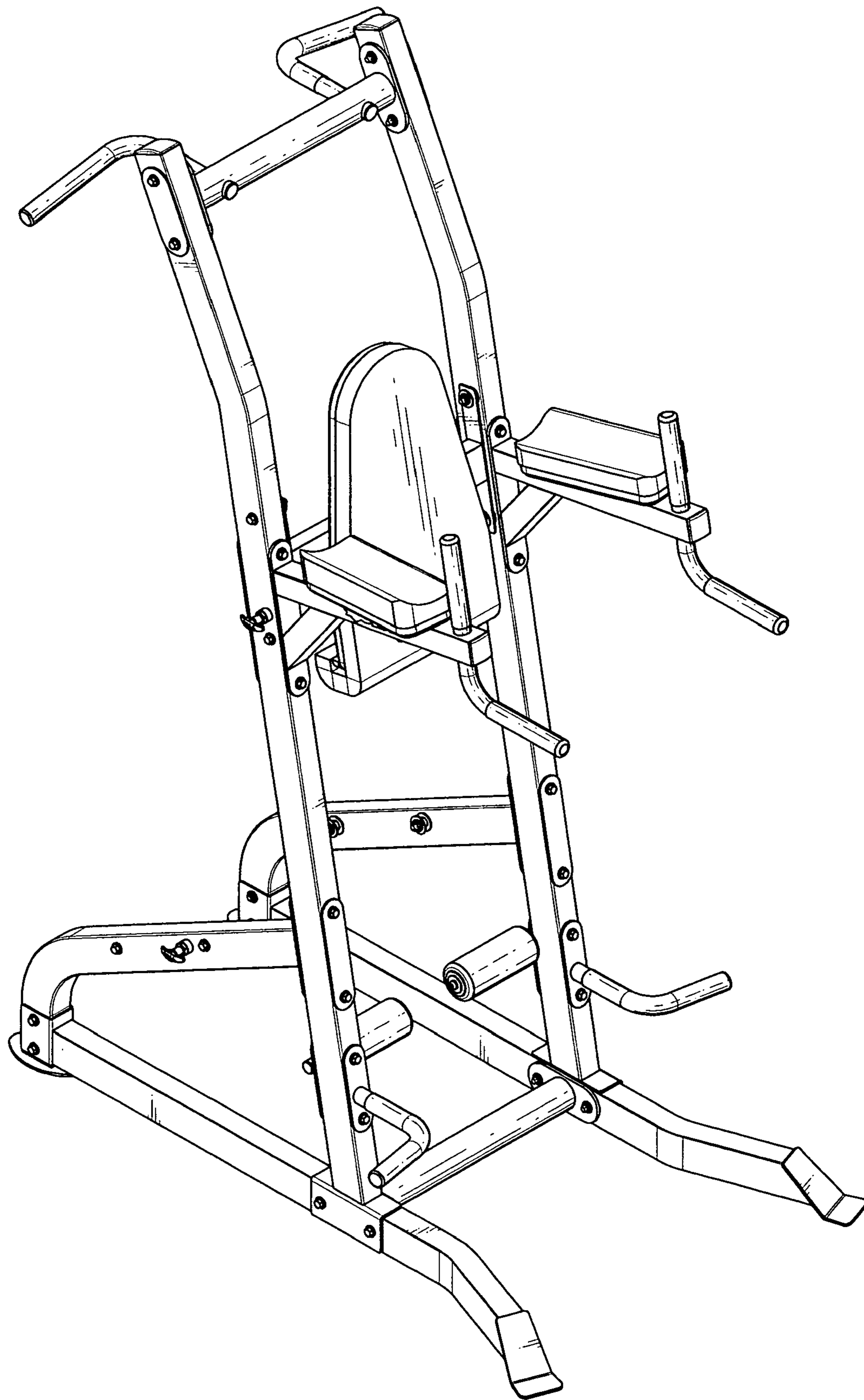


FIG. 8

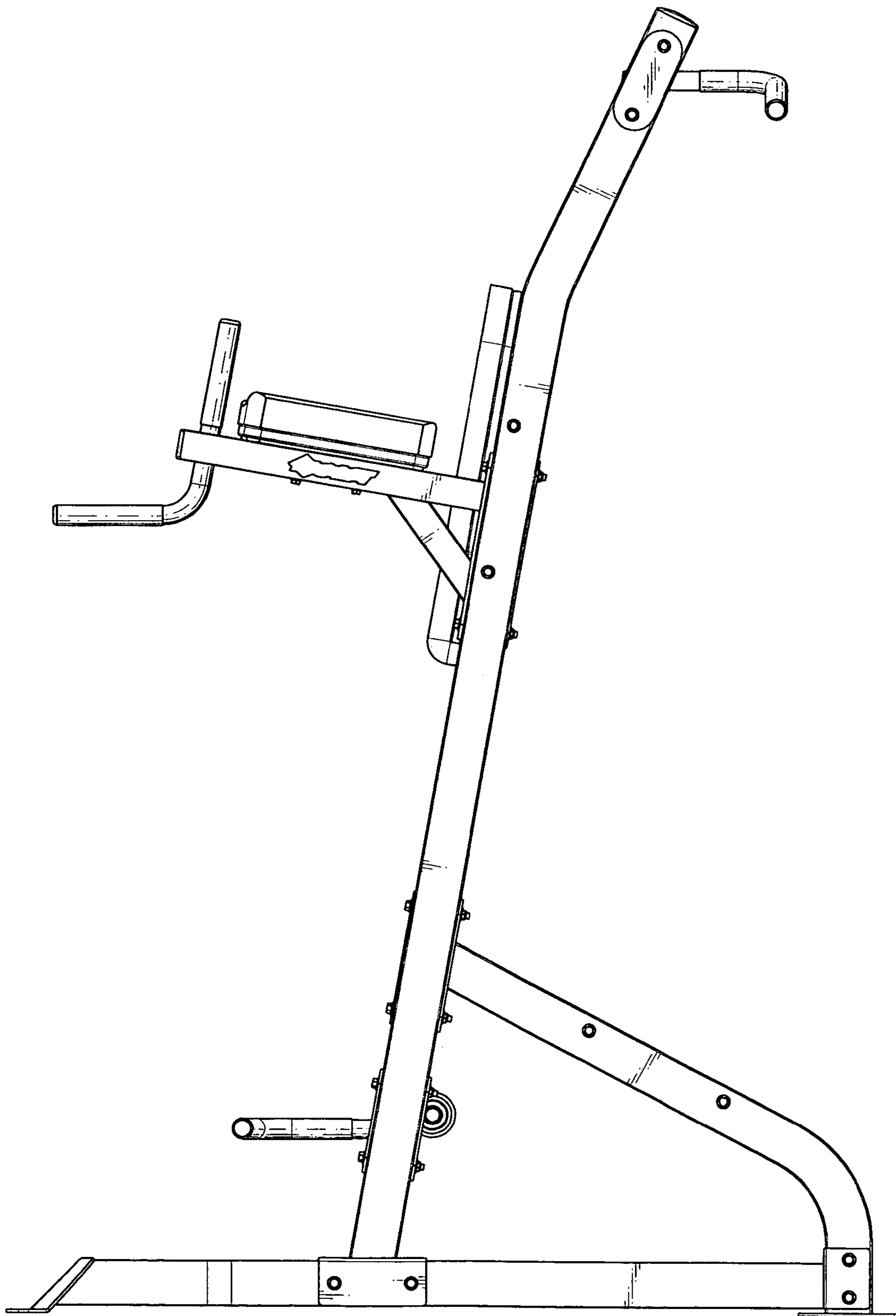


FIG. 9