

US00D544046S

(12) **United States Design Patent**
Roder

(10) **Patent No.:** **US D544,046 S**

(45) **Date of Patent:** **** Jun. 5, 2007**

(54) **MODEL RAILROAD BUMPER**

5,816,887 A * 10/1998 Rudell et al. 446/456
D421,281 S * 2/2000 Riley D21/564

(76) Inventor: **Donald Roder**, 8967 Ridge Rd., North
Rose, NY (US) 14516-9793

* cited by examiner

(**) Term: **14 Years**

Primary Examiner—Holly H. Baynham

Assistant Examiner—Cynthia M. Chin

(21) Appl. No.: **29/228,545**

(74) *Attorney, Agent, or Firm*—James W. Hiney

(22) Filed: **Apr. 25, 2005**

(57) **CLAIM**

(51) **LOC (8) Cl.** **21-01**

The ornamental design for a model railroad bumper, as shown and described.

(52) **U.S. Cl.** **D21/565**

DESCRIPTION

(58) **Field of Classification Search** D21/565;
238/10 R, 10 A, 10 B, 10 C, 10 D, 10 E,
238/10 F, 19, 140
See application file for complete search history.

FIG. 1 shows a front perspective view of a model railroad bumper showing my new design.

FIG. 2 is a top plan view thereof,

FIG. 3 is a bottom view thereof,

FIG. 4 is a side elevational view thereof,

FIG. 5 is a front elevational view thereof; and,

FIG. 6 is a rear elevational view thereof.

(56) **References Cited**

U.S. PATENT DOCUMENTS

3,592,384 A * 7/1971 Tomaro 238/200
D344,308 S * 2/1994 Ruszkai D21/565

1 Claim, 5 Drawing Sheets

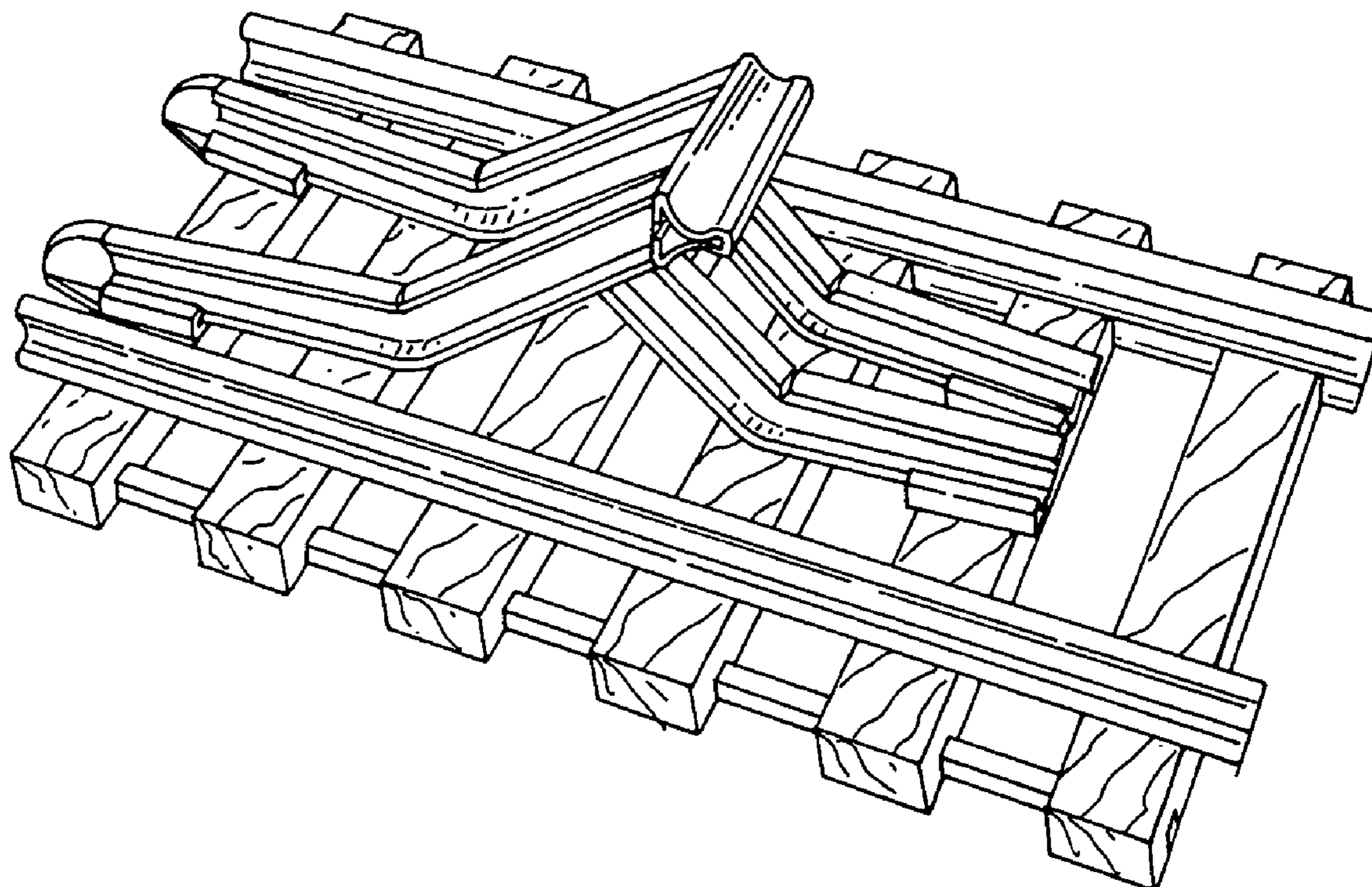


FIG. 1

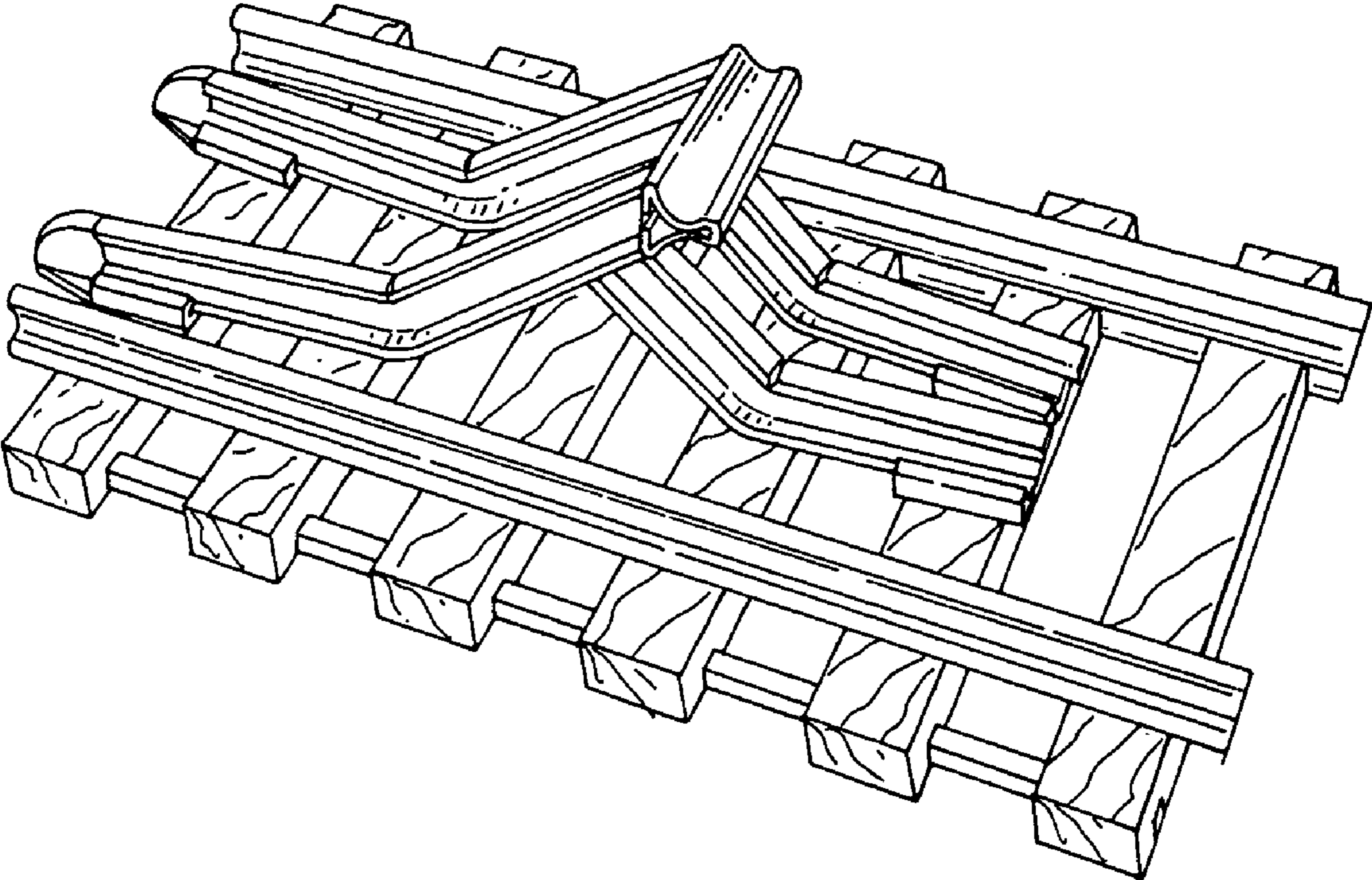


FIG. 2

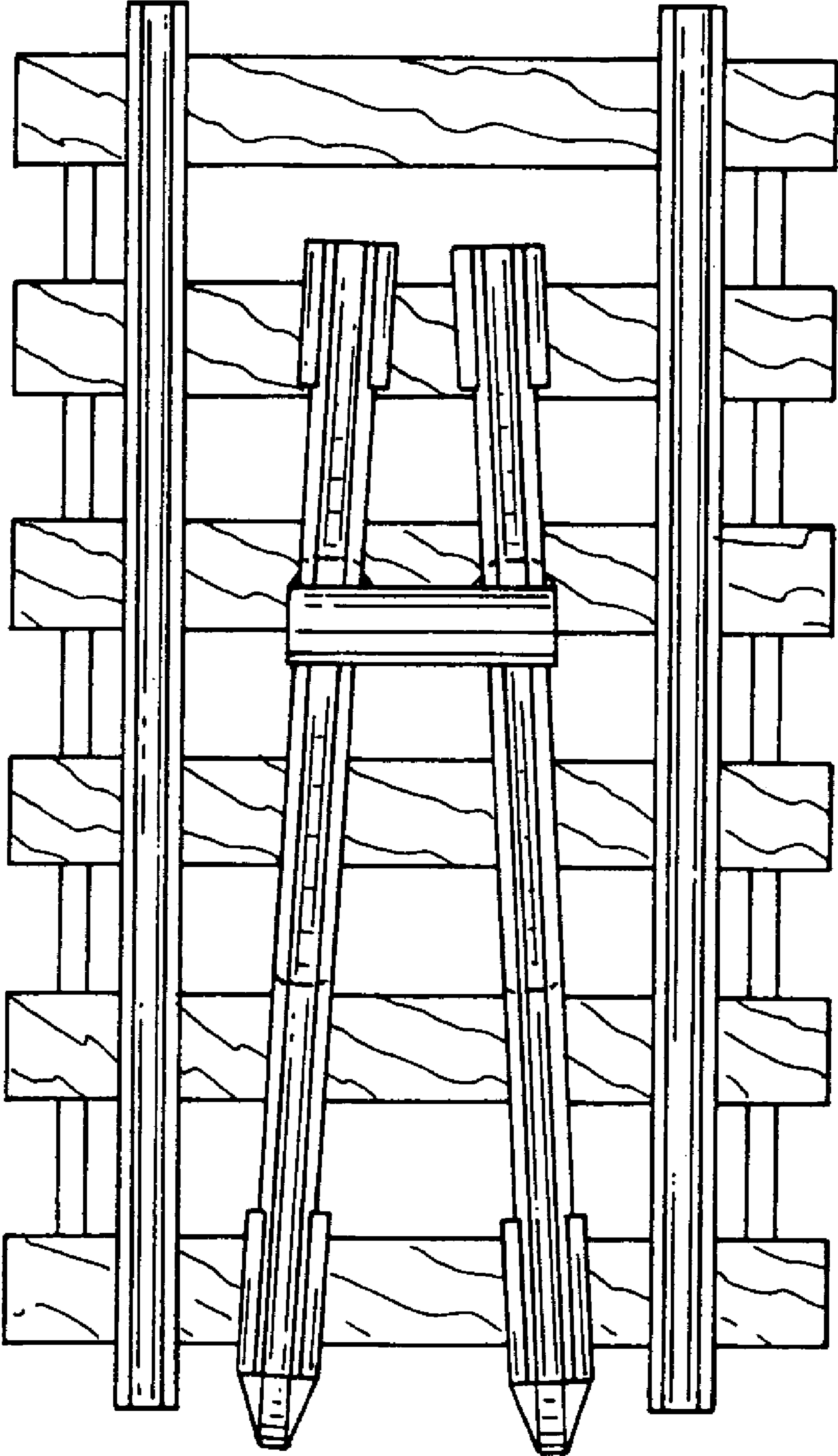


FIG. 3

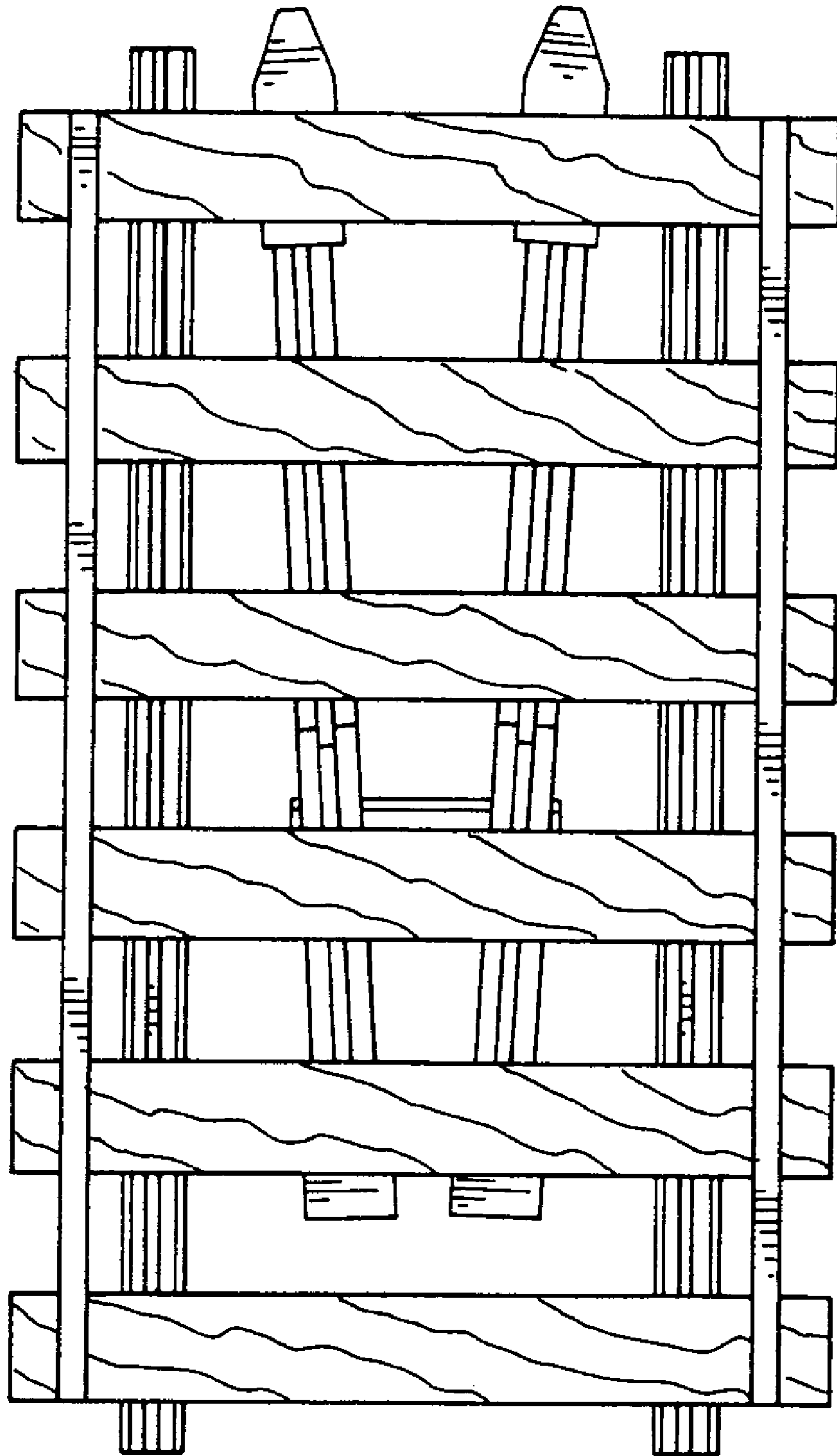


FIG. 4

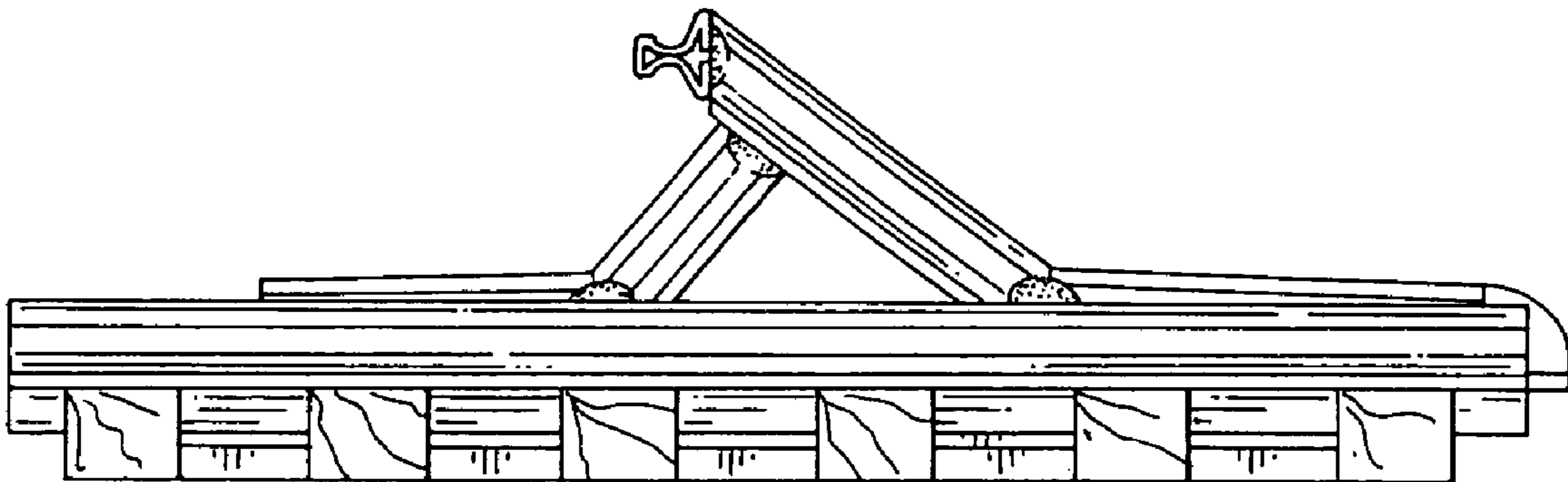


FIG. 5

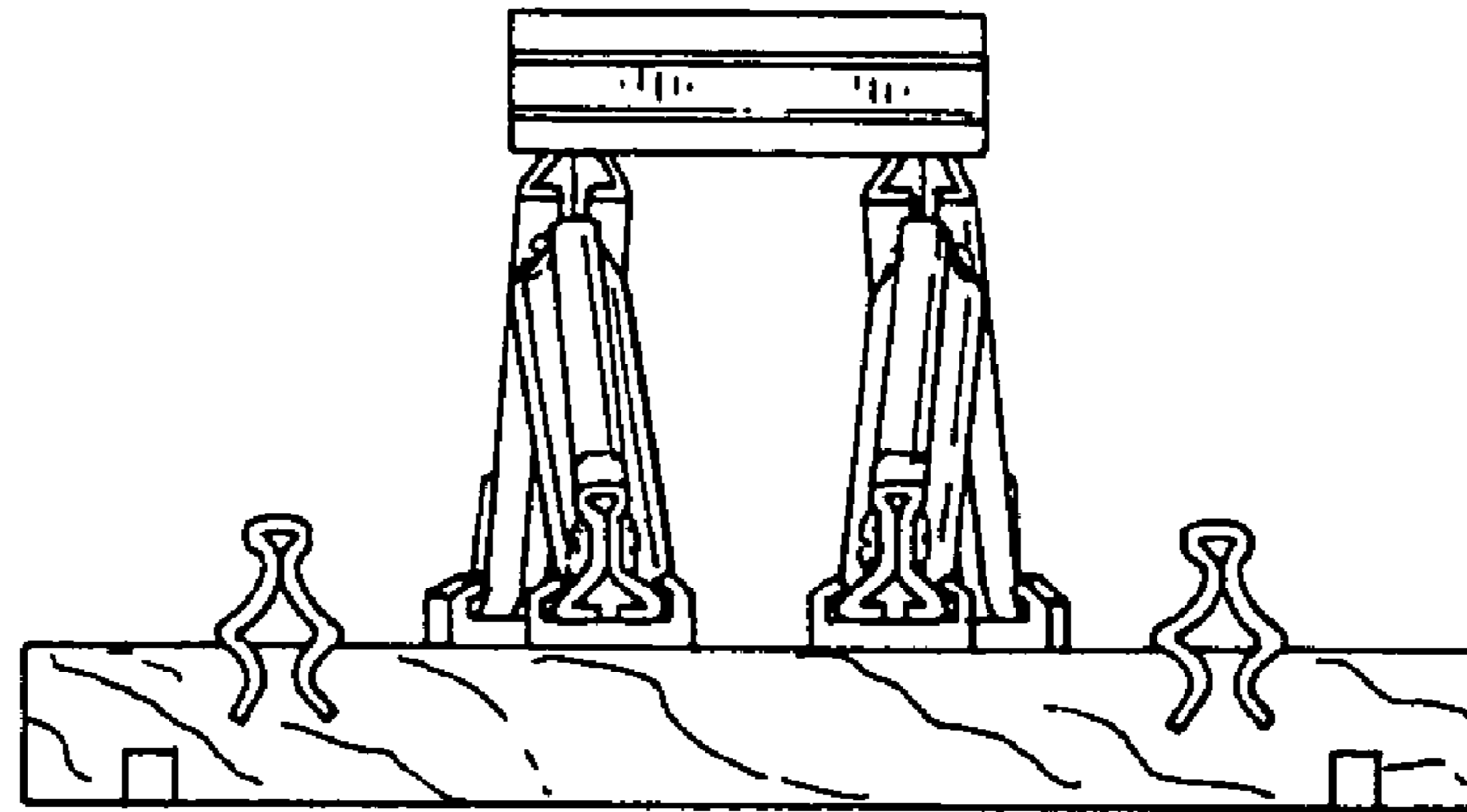


FIG. 6

