

US00D544045S

(12) **United States Design Patent**  
**Hamasaki**

(10) **Patent No.:** **US D544,045 S**

(45) **Date of Patent:** **\*\* Jun. 5, 2007**

(54) **TOY MOTORBOAT**

(75) Inventor: **Takashi Hamasaki**, Kanagawa  
Prefecture (JP)

(73) Assignee: **Kyosho Corporation**, Tokyo (JP)

(\*\*) Term: **14 Years**

(21) Appl. No.: **29/263,678**

(22) Filed: **Jul. 28, 2006**

(30) **Foreign Application Priority Data**

Jan. 31, 2006 (JP) ..... 2006-001962

(51) **LOC (8) Cl.** ..... **21-01**

(52) **U.S. Cl.** ..... **D21/542**

(58) **Field of Classification Search** ..... D21/542-544;  
446/160, 163-165; D12/300, 303, 304, 316  
See application file for complete search history.

(56) **References Cited**

**U.S. PATENT DOCUMENTS**

D249,137 S \* 8/1978 Hoyt ..... D12/300  
4,787,874 A \* 11/1988 Hardy et al. .... 446/160  
D413,855 S \* 9/1999 Price ..... D12/300

D458,317 S \* 6/2002 Zweiback et al. .... D21/542  
D460,038 S \* 7/2002 Sosa ..... D12/300  
D464,925 S \* 10/2002 Bassani Antivari ..... D12/300

\* cited by examiner

*Primary Examiner*—Holly H. Baynham

*Assistant Examiner*—Cynthia M. Chin

(74) *Attorney, Agent, or Firm*—Nixon & Vanderhye, P.C.

(57) **CLAIM**

The ornamental design for a “toy motorboat,” as shown and described.

**DESCRIPTION**

FIG. 1 is a front perspective view of a toy motorboat which embodies my new and original design therefore;

FIG. 2 is a front elevation view of thereof;

FIG. 3 is a rear elevation view thereof;

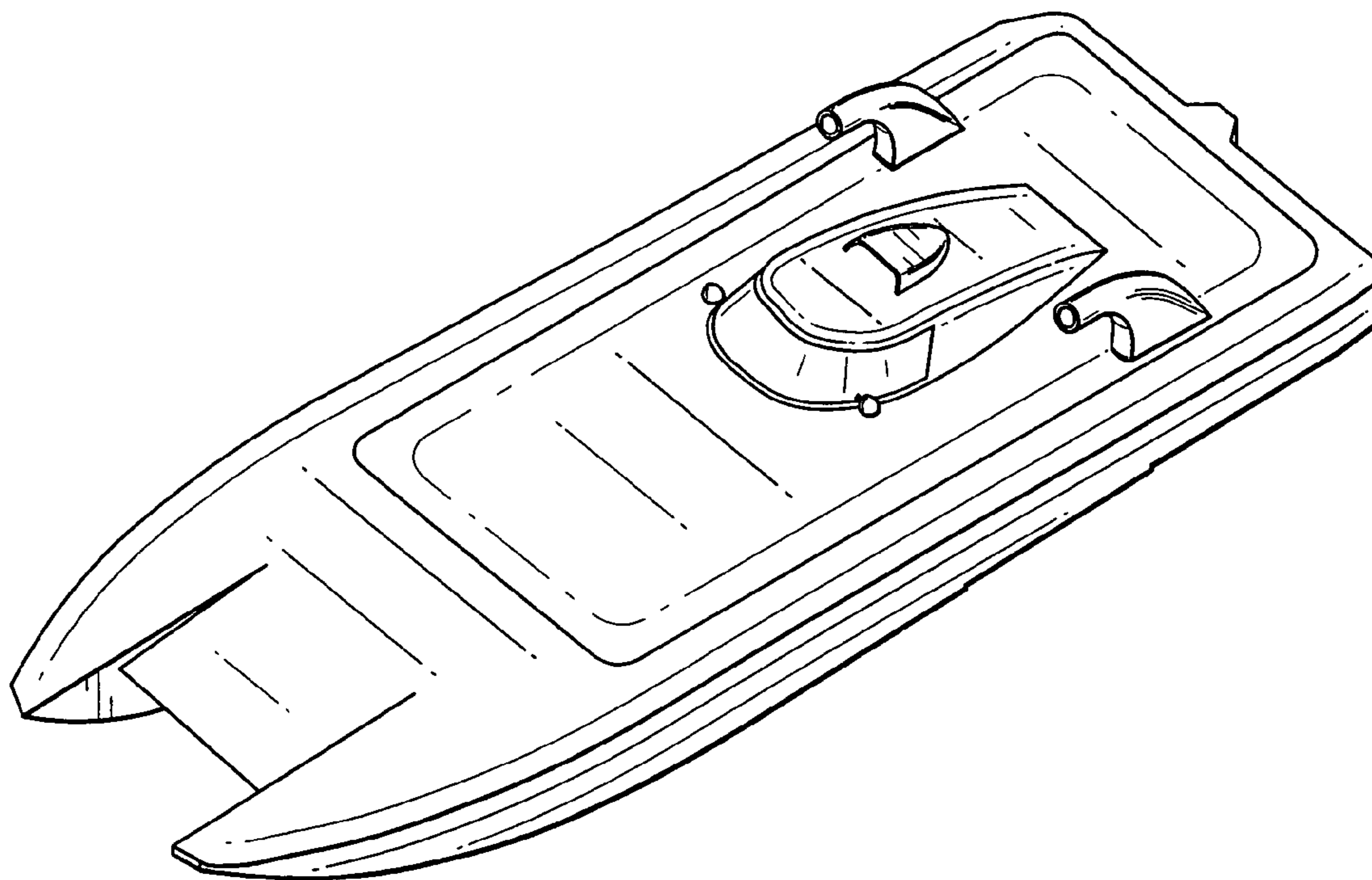
FIG. 4 is a top plan view thereof;

FIG. 5 is a bottom plan view thereof;

FIG. 6 is a left side elevation view thereof; and,

FIG. 7 is a right side elevation view thereof.

**1 Claim, 5 Drawing Sheets**



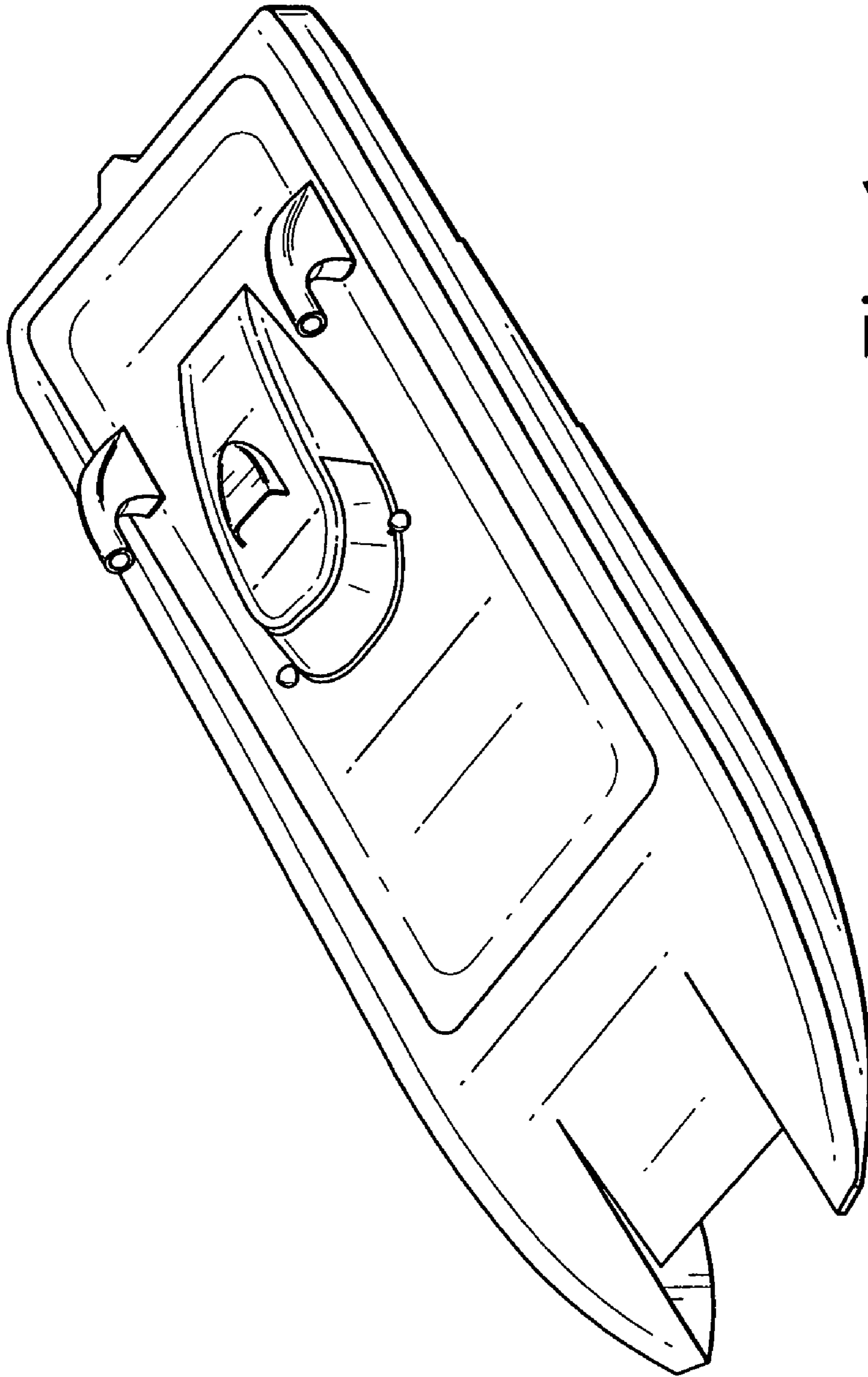


Fig. 1

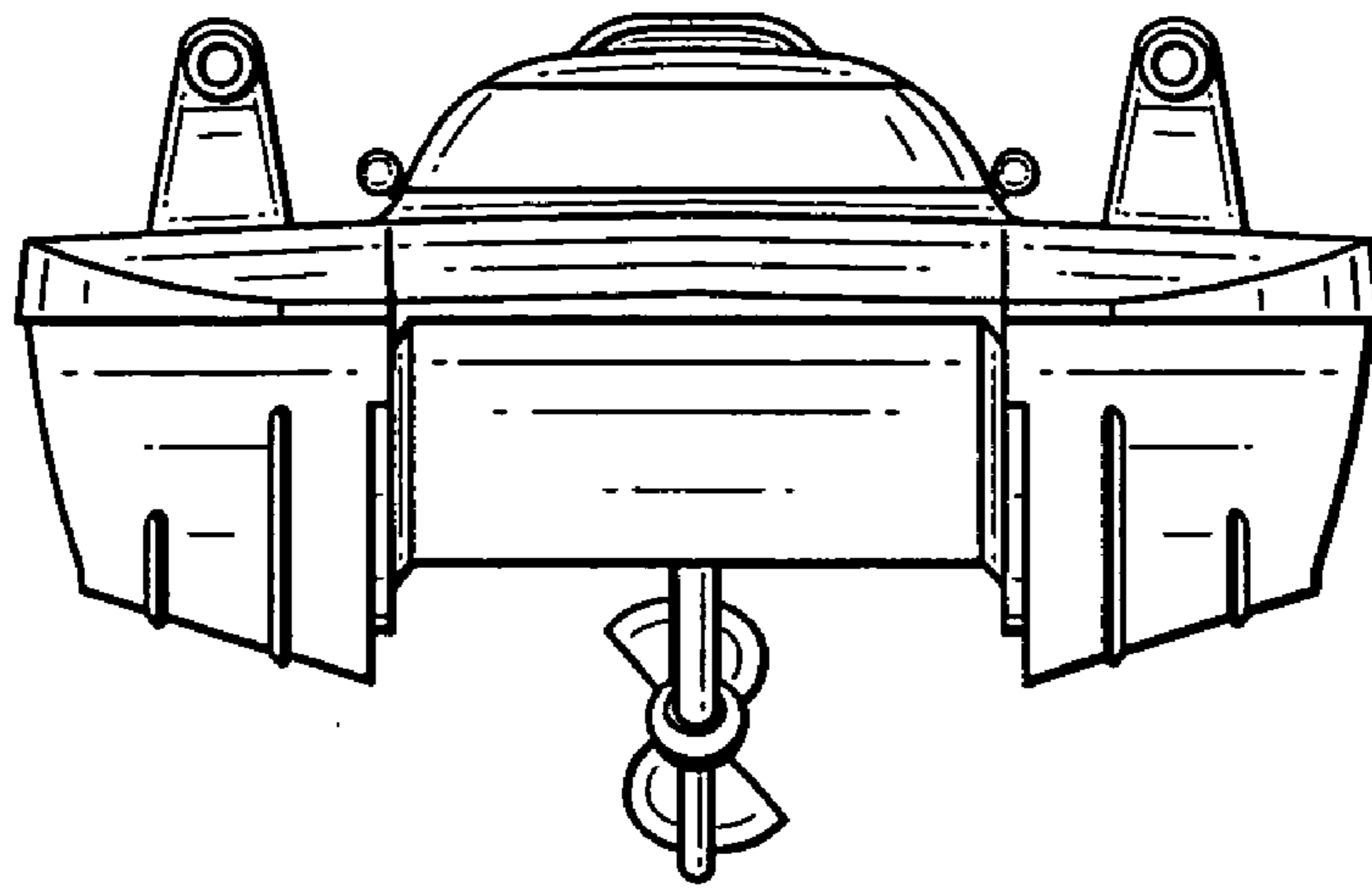


Fig. 2

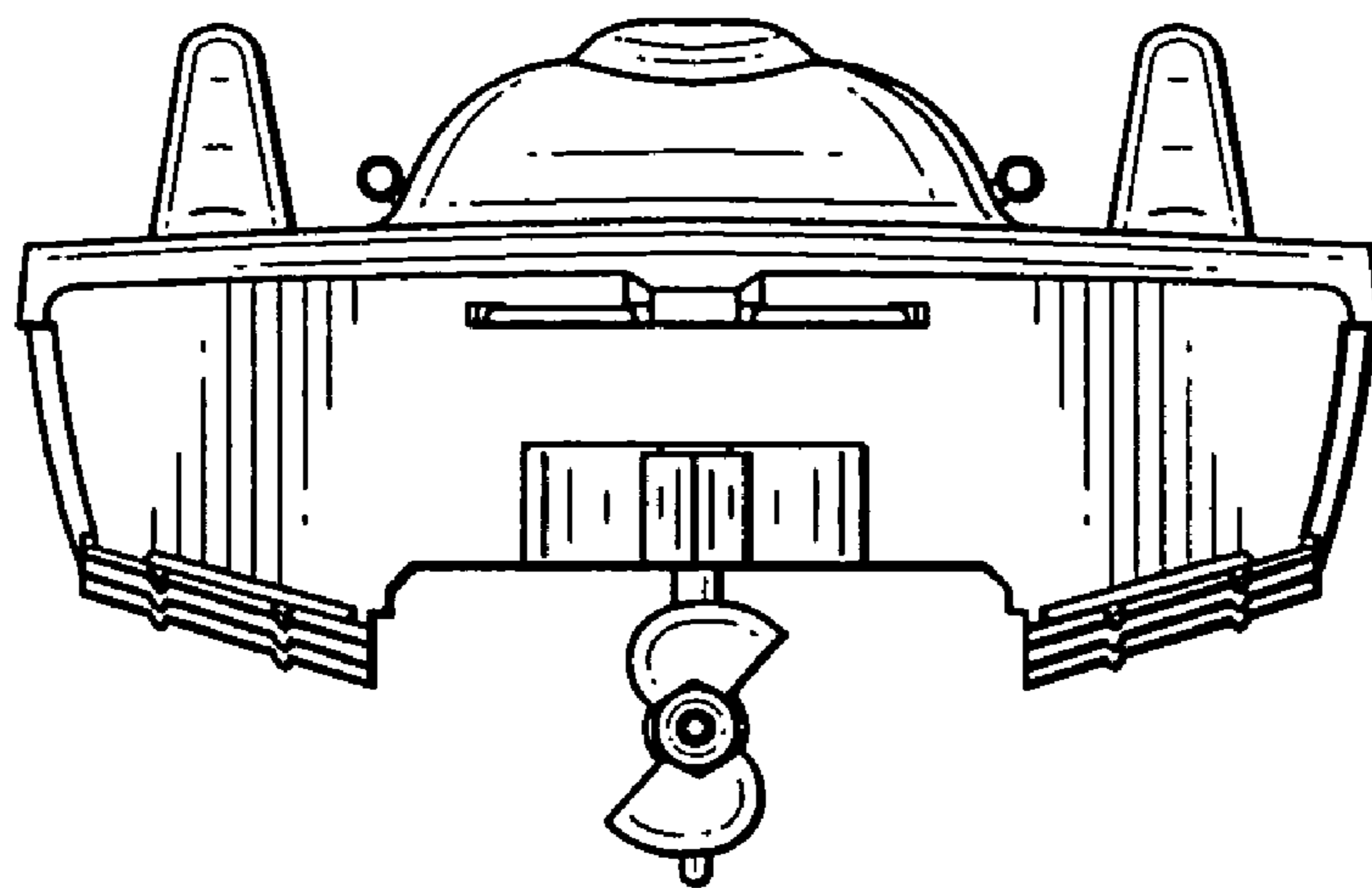


Fig. 3

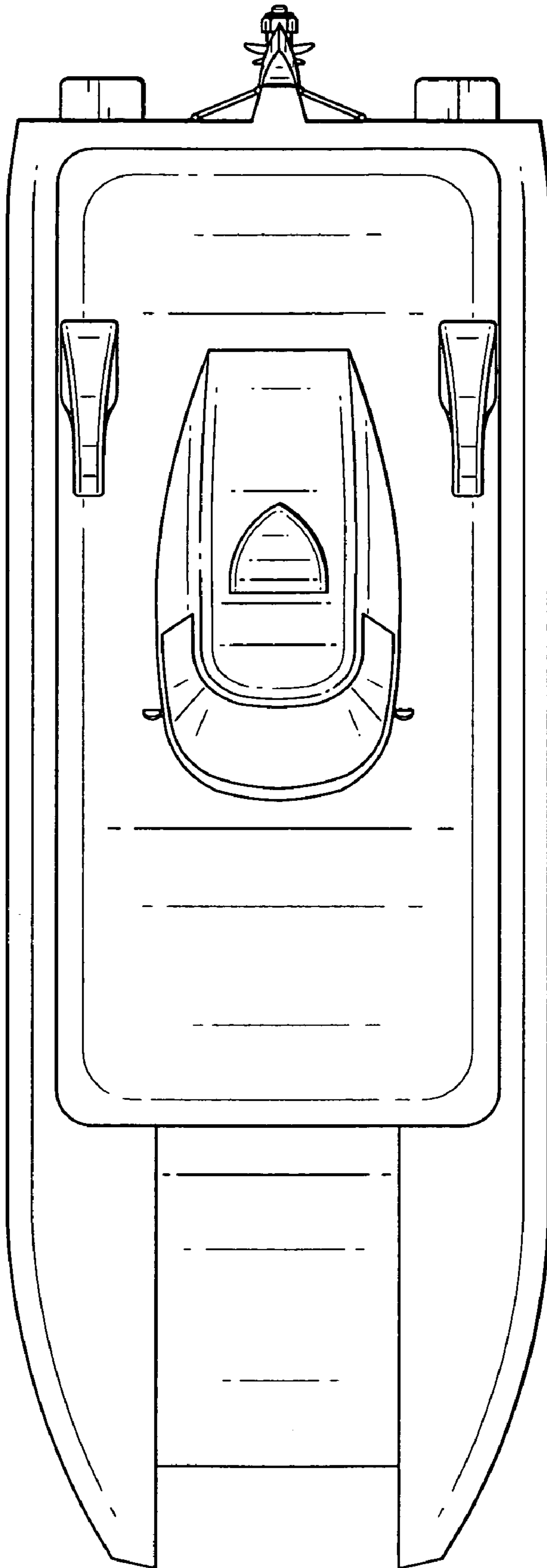


Fig. 4

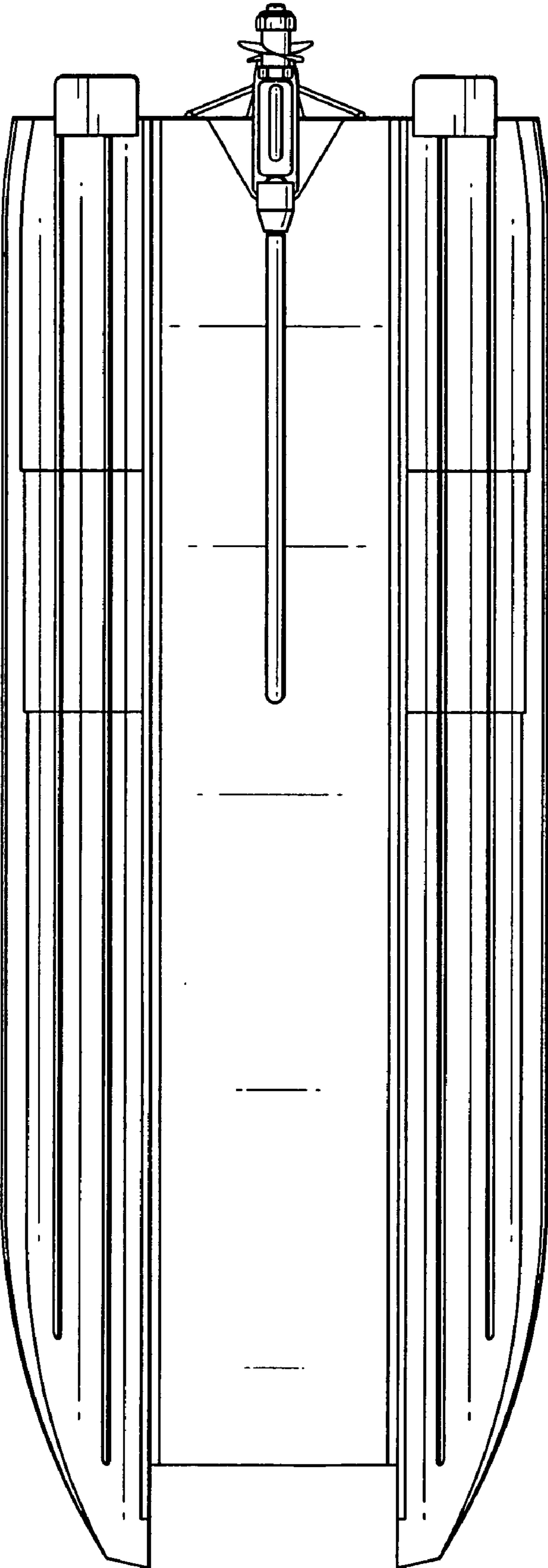


Fig. 5

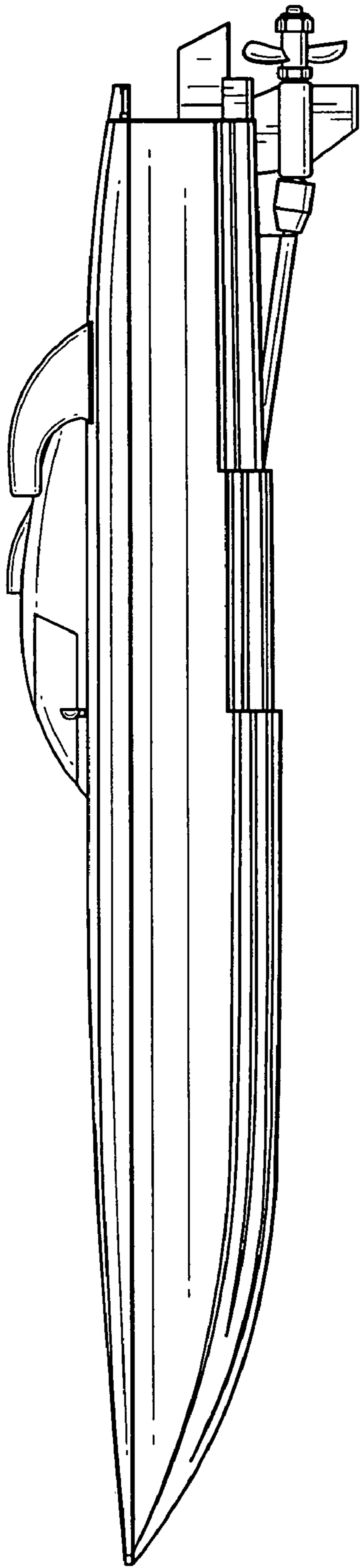


Fig. 6

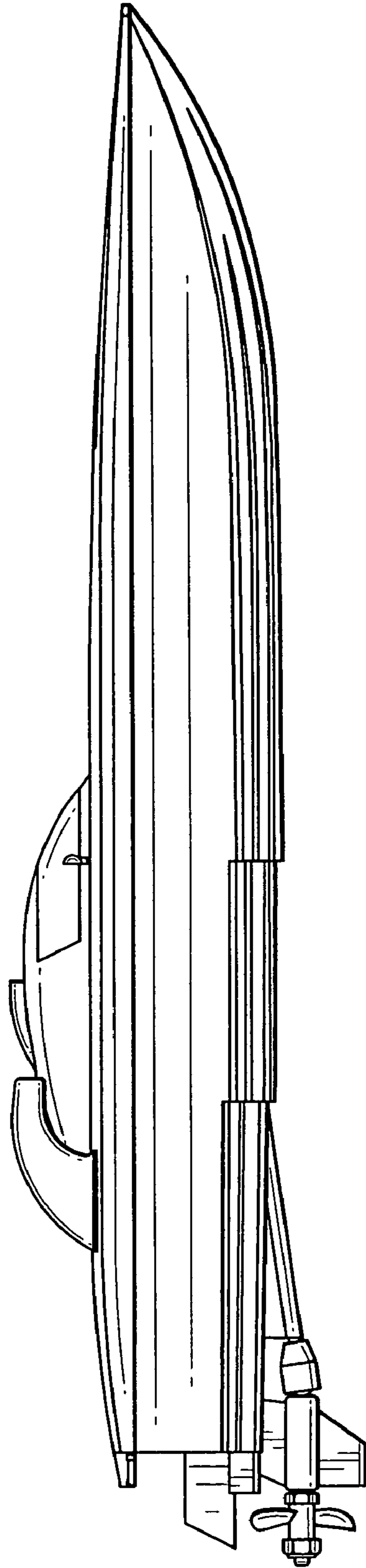


Fig. 7