



US00D544044S

(12) **United States Design Patent**
Siebert

(10) **Patent No.:** **US D544,044 S**

(45) **Date of Patent:** **** Jun. 5, 2007**

(54) **BALL SPINNER**

(76) **Inventor:** **Edward J. Siebert**, 90 W. Main St.,
P.O. Box 707, Meriden, CT (US) 06450

(**) **Term:** **14 Years**

(21) **Appl. No.:** **29/266,644**

(22) **Filed:** **Sep. 26, 2006**

(51) **LOC (8) Cl.** **21-01**

(52) **U.S. Cl.** **D21/455**

(58) **Field of Classification Search** D21/398,
D21/400, 404, 454, 455, 456, 461, 466, 698,
D21/715, 722, 781; 446/3, 132-136, 138,
446/144, 145, 177, 233-236, 240, 242, 243,
446/255, 259, 266, 484, 901; 473/415, 422,
473/424, 425, 447, 450, 472, 503, 505-508,
473/510, 511, 569-572

See application file for complete search history.

(56) **References Cited**

U.S. PATENT DOCUMENTS

383,512 A * 5/1888 Barber 273/144 B
1,680,423 A * 8/1928 Lindstrom 446/260
3,054,217 A * 9/1962 Amato 446/236
3,224,142 A * 12/1965 Pawelka et al. 446/138
3,765,677 A * 10/1973 Carver 473/505

D229,078 S * 11/1973 Aster D21/456
4,164,928 A * 8/1979 Meares 124/16
D322,645 S * 12/1991 Danese et al. D21/722
5,261,851 A * 11/1993 Siebert, Jr. 446/236
6,089,946 A * 7/2000 Yang 446/259
6,296,542 B1 * 10/2001 Yearick 446/246
6,488,598 B2 * 12/2002 Porter 473/450
2006/0052189 A1 * 3/2006 Morrison 473/576

* cited by examiner

Primary Examiner—Catherine Tuttle

(74) *Attorney, Agent, or Firm*—Brian L. Michaelis; Brown
Rudnick Berlack Israels LLP

(57) **CLAIM**

The ornamental design for a ball spinner, as shown and
described.

DESCRIPTION

FIG. 1 is a perspective view showing my new design for a
ball spinner;

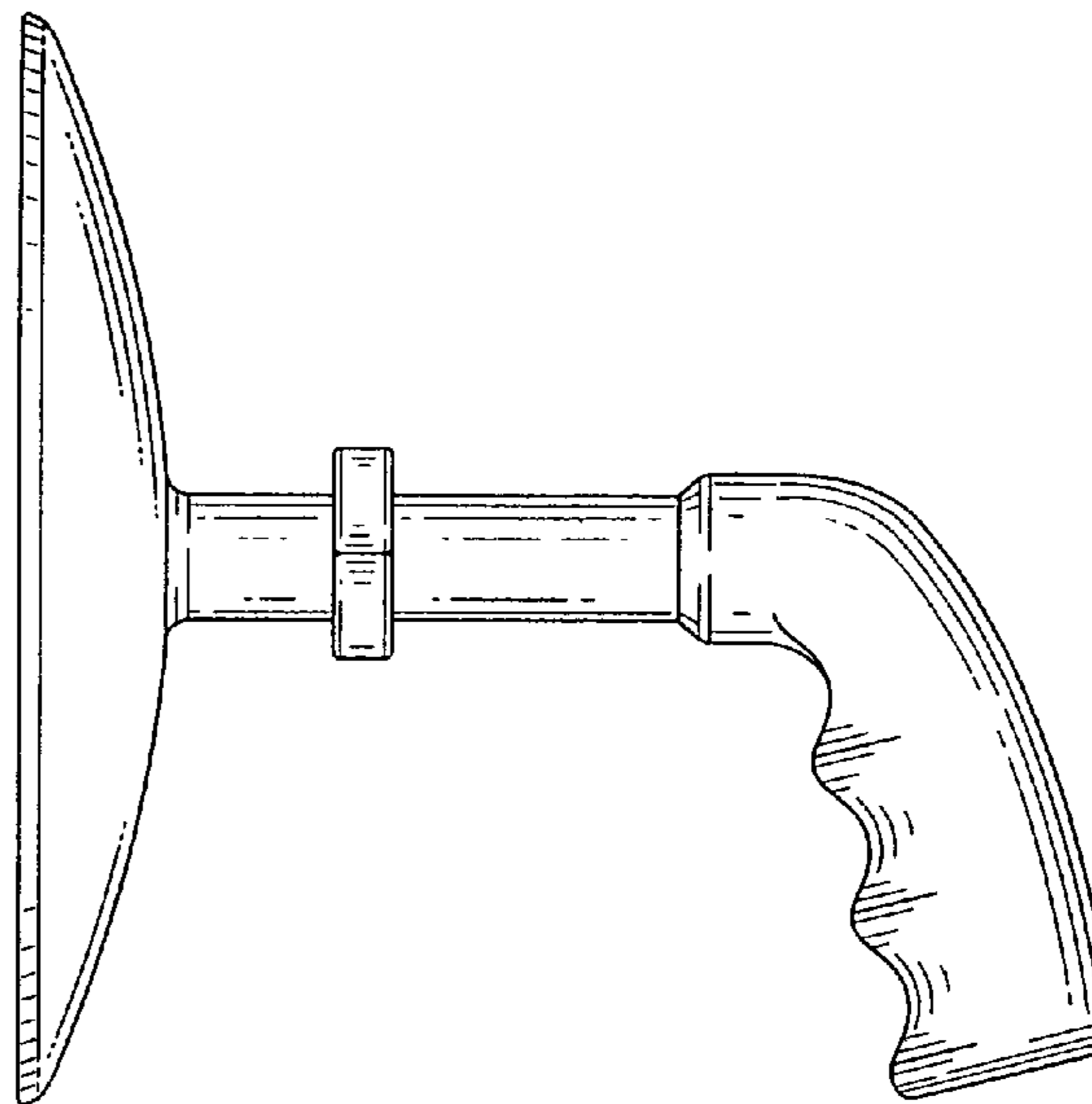
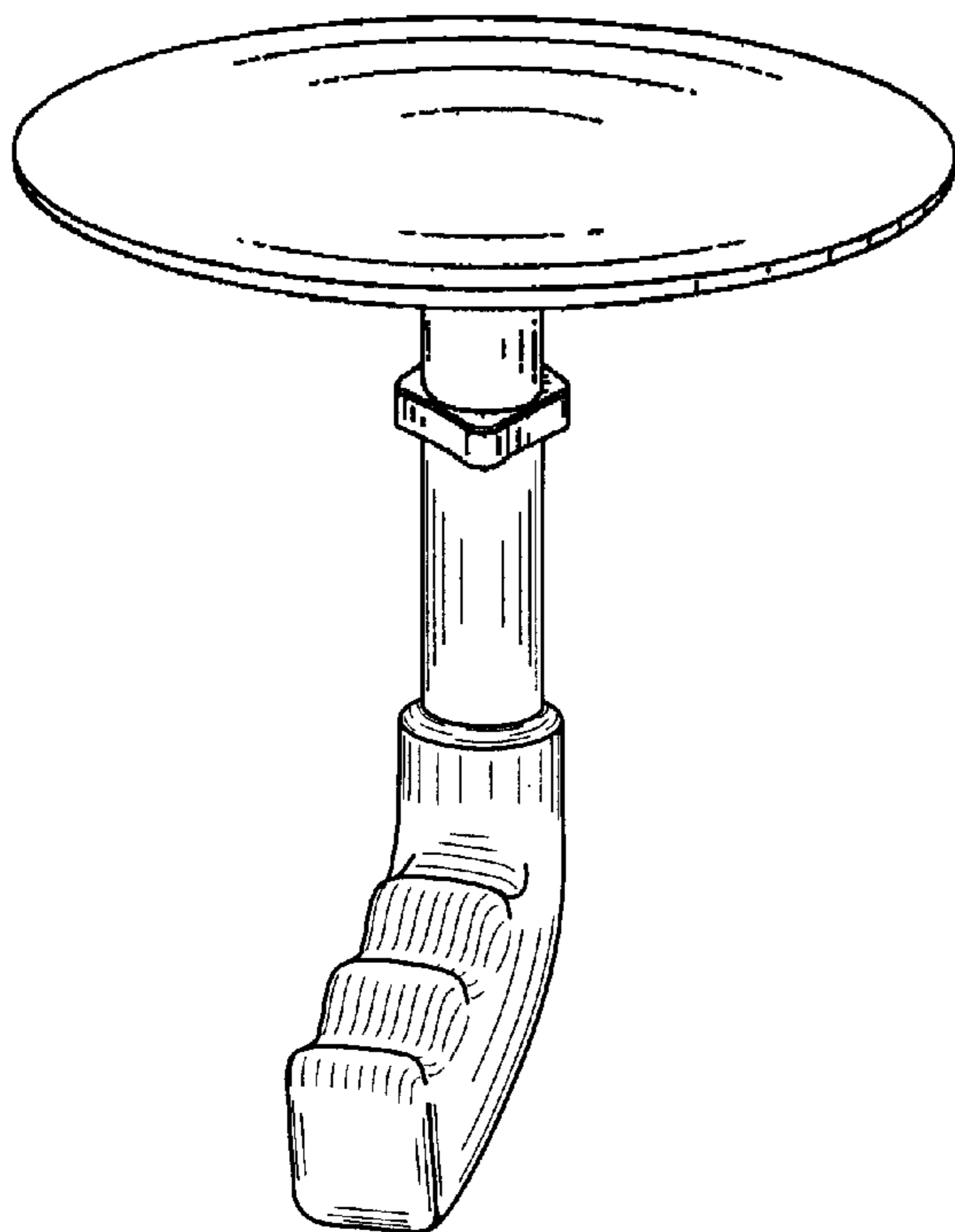
FIG. 2 is a left side view of FIG. 1;

FIG. 3 is a rear view of FIG. 1;

FIG. 4 is a front view of FIG. 1; and,

FIG. 5 is a bottom view of FIG. 1.

1 Claim, 5 Drawing Sheets



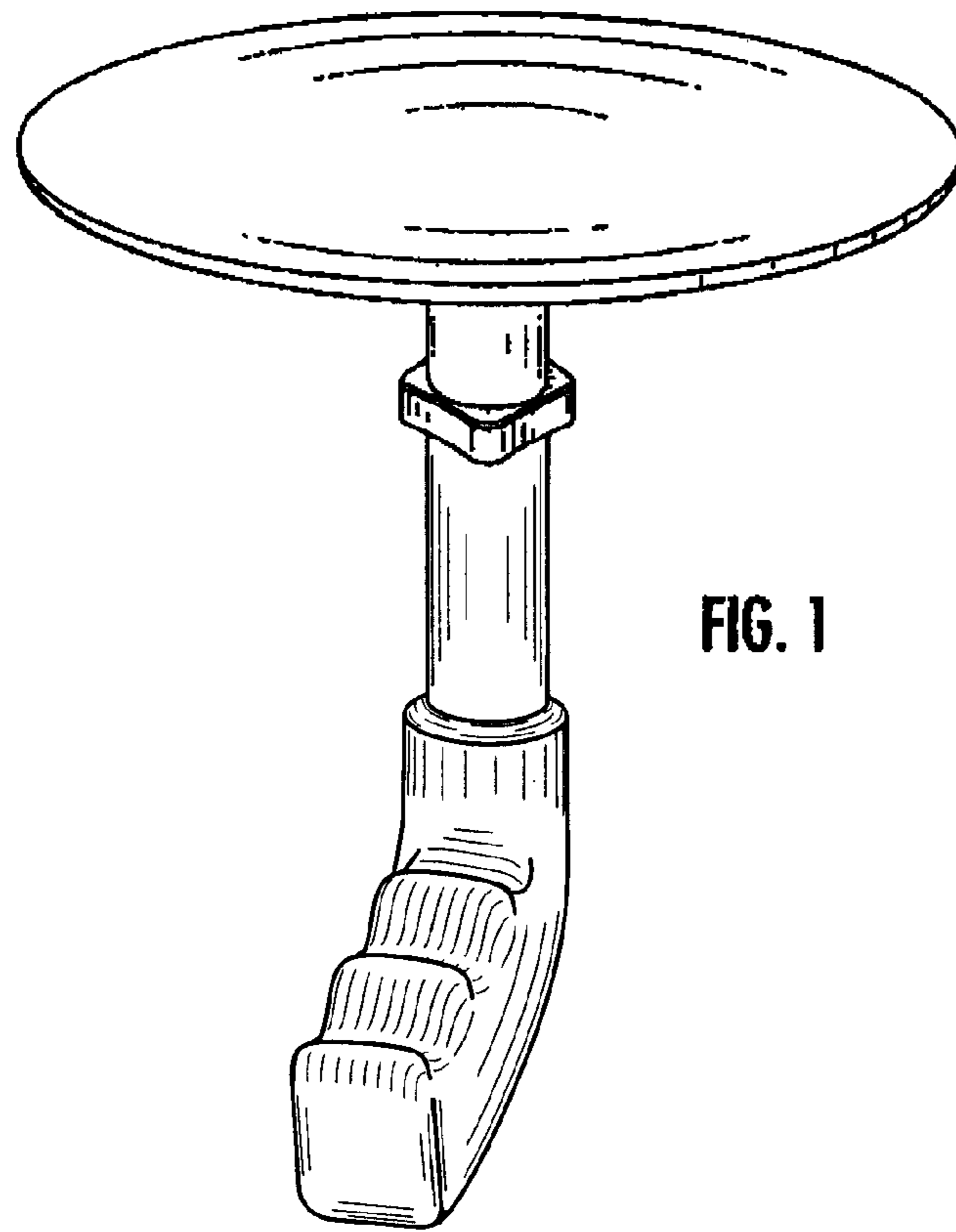


FIG. 1

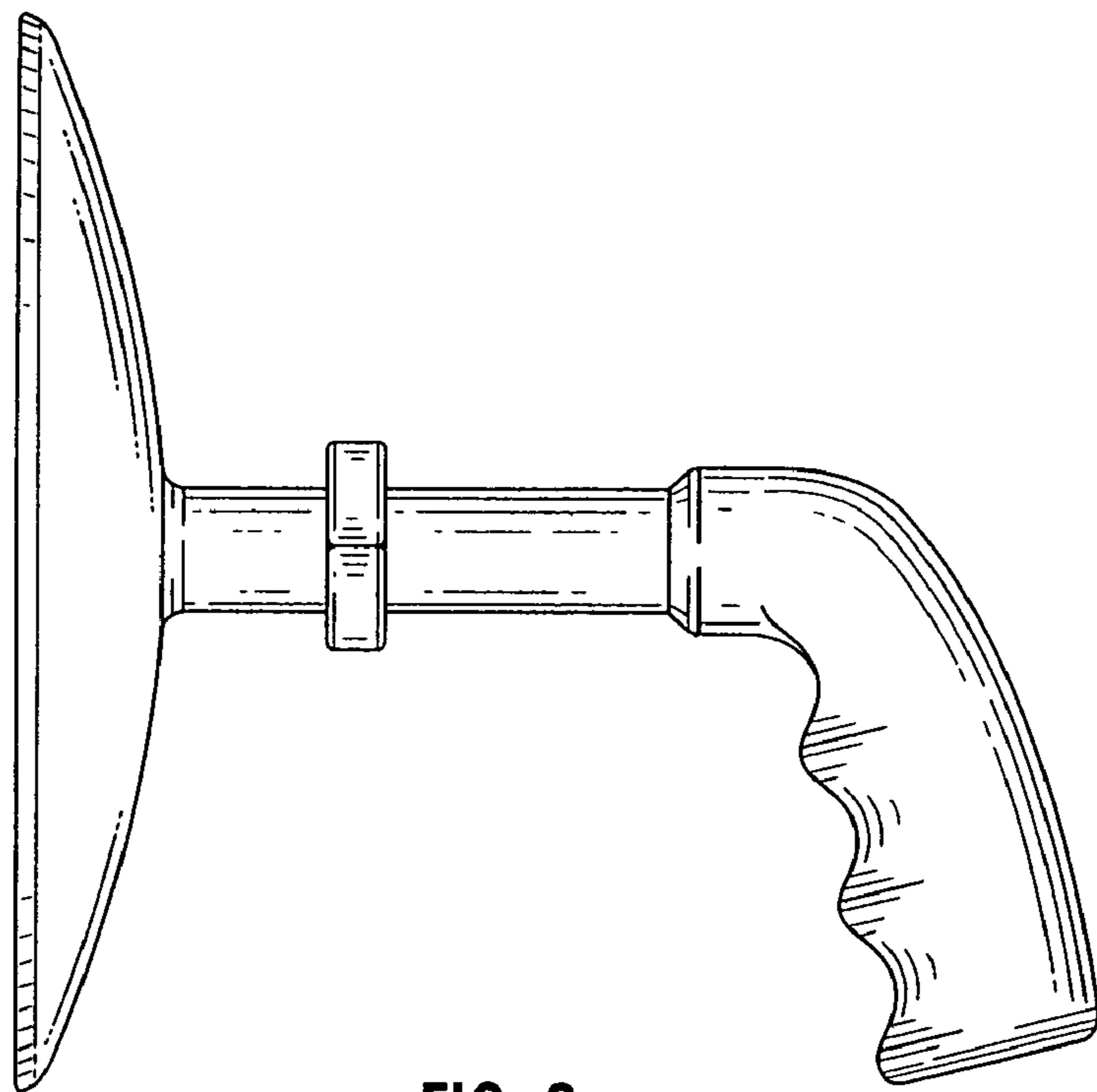


FIG. 2

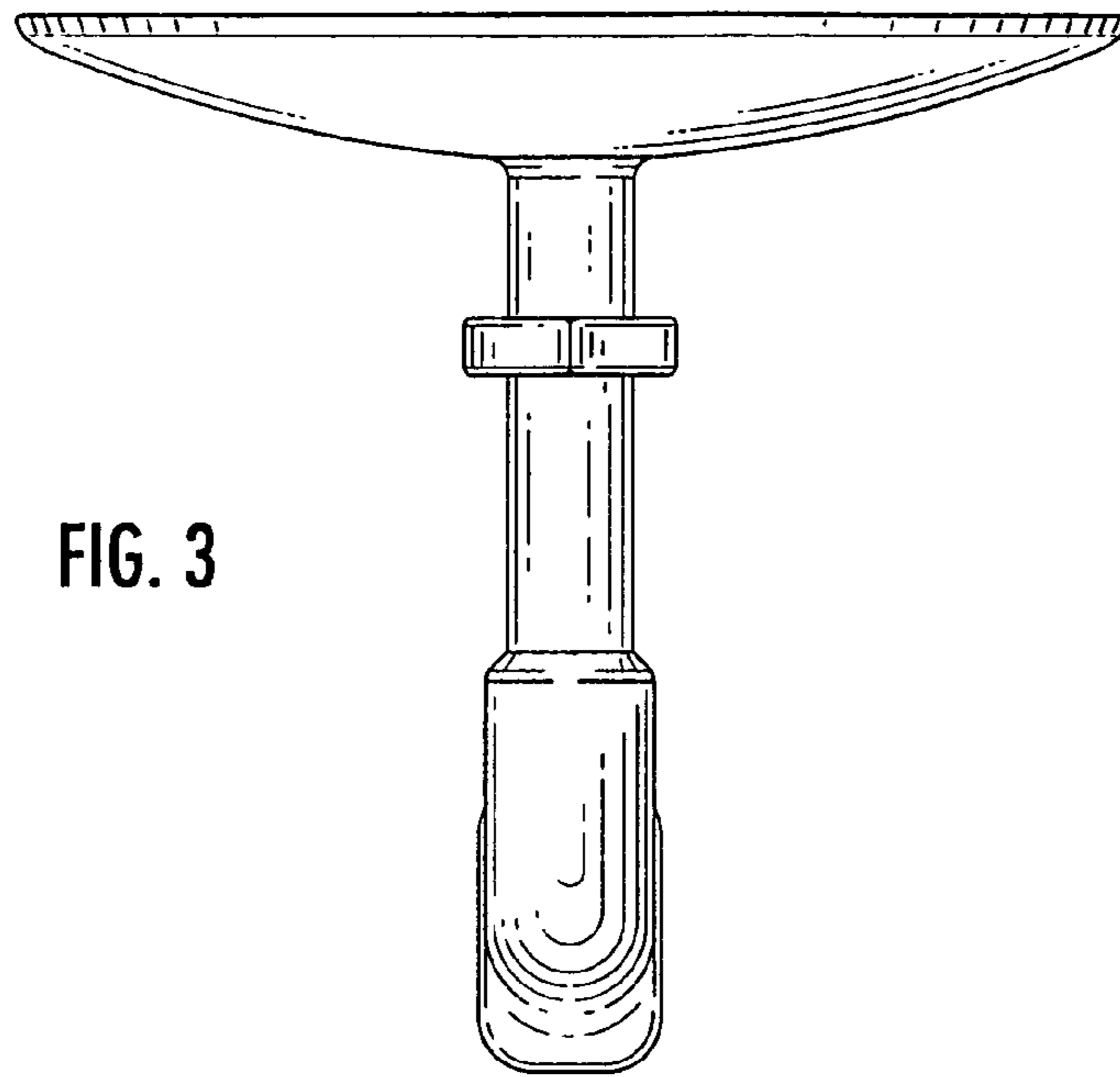


FIG. 3

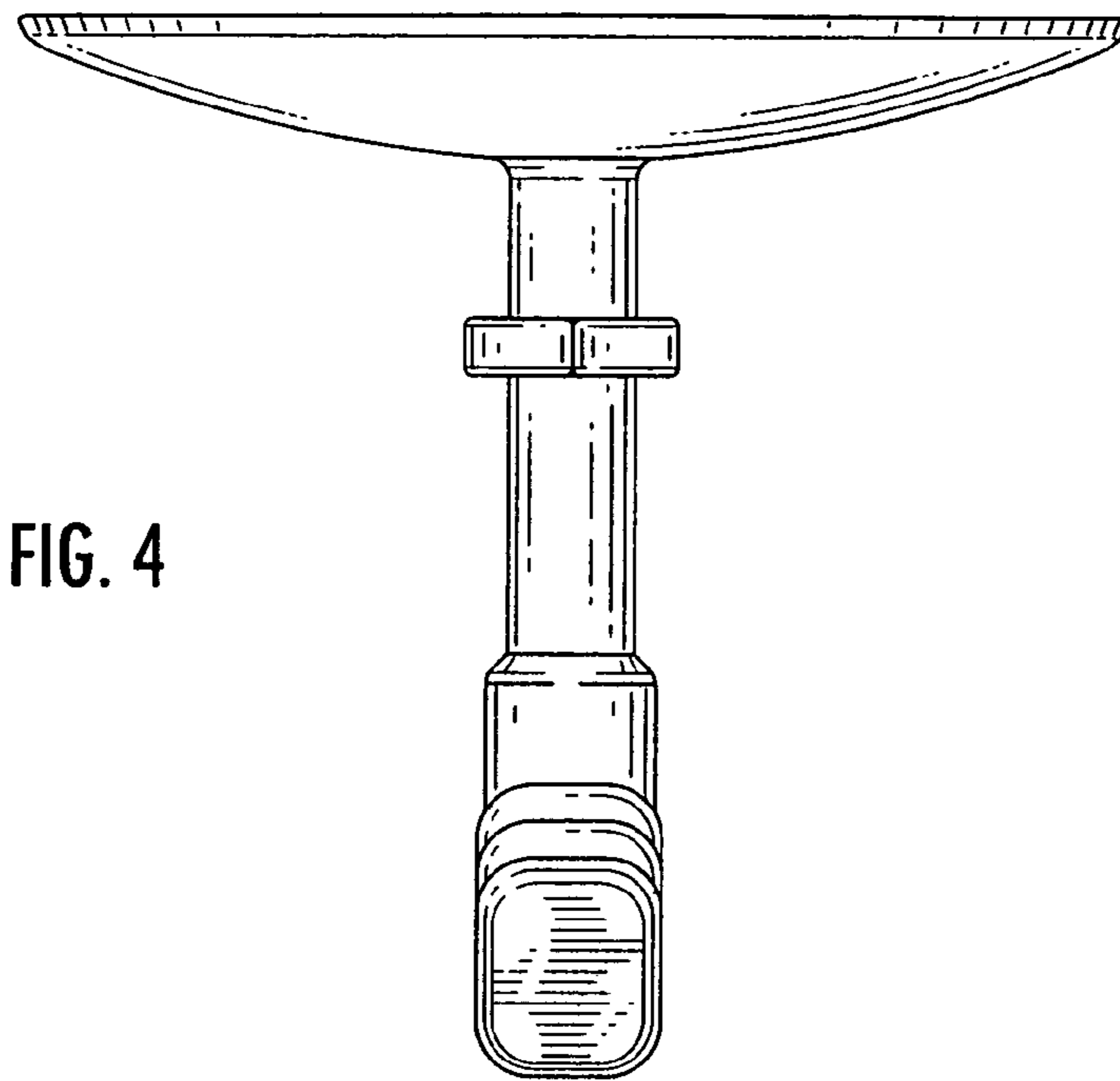


FIG. 4

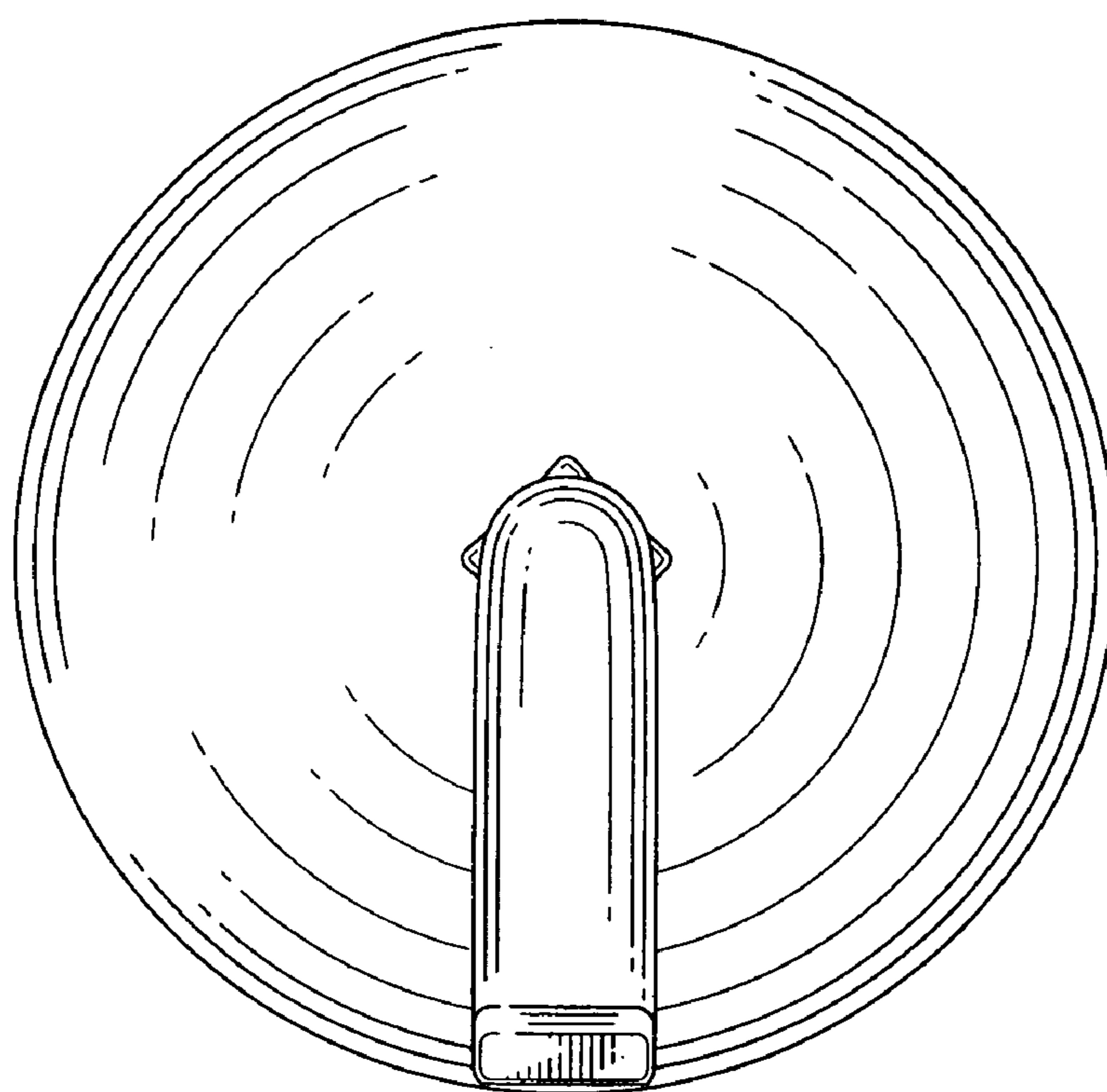


FIG. 5