



US00D544043S

(12) **United States Design Patent**
Yamanaka et al.

(10) **Patent No.:** **US D544,043 S**

(45) **Date of Patent:** **** Jun. 5, 2007**

(54) **GAME MACHINE**

(75) Inventors: **Misao Yamanaka**, Tokyo (JP); **Atsushi Inoue**, Tokyo (JP)

(73) Assignee: **Konami Digital Entertainment Co., Ltd.**, Tokyo (JP)

(**) Term: **14 Years**

(21) Appl. No.: **29/258,782**

(22) Filed: **Apr. 26, 2006**

(30) **Foreign Application Priority Data**

Oct. 28, 2005 (JP) D2005-031720

(51) **LOC (8) Cl.** **21-01**

(52) **U.S. Cl.** **D21/325; D21/369**

(58) **Field of Classification Search** D21/324-330,
D21/369-375, 333; 273/148 B, 148 A, 138.1,
273/139, 138.2, 148 R; 463/1, 7, 46, 16-22,
463/47, 29-35; 345/905

See application file for complete search history.

(56) **References Cited**

U.S. PATENT DOCUMENTS

D425,941 S * 5/2000 Miller et al. D21/324

D444,506 S * 7/2001 Isetani et al. D21/325
D455,791 S * 4/2002 Nakahara et al. D21/325
D463,502 S * 9/2002 Ishii et al. D21/325
6,739,974 B2 * 5/2004 Kanno et al. 463/36
D500,098 S * 12/2004 Doi D21/477
2001/0021665 A1 * 9/2001 Gouji et al. 463/7

* cited by examiner

Primary Examiner—Prabhakar Deshmukh

(74) *Attorney, Agent, or Firm*—Jordan and Hamburg LLP

(57) **CLAIM**

The ornamental design for a game machine, as shown and described.

DESCRIPTION

FIG. 1 is a perspective view of a game machine;
FIG. 2 is a front view thereof;
FIG. 3 is a rear view thereof;
FIG. 4 is a left side view thereof;
FIG. 5 is a right side view thereof;
FIG. 6 is a top view thereof; and,
FIG. 7 is a bottom view thereof.

1 Claim, 4 Drawing Sheets

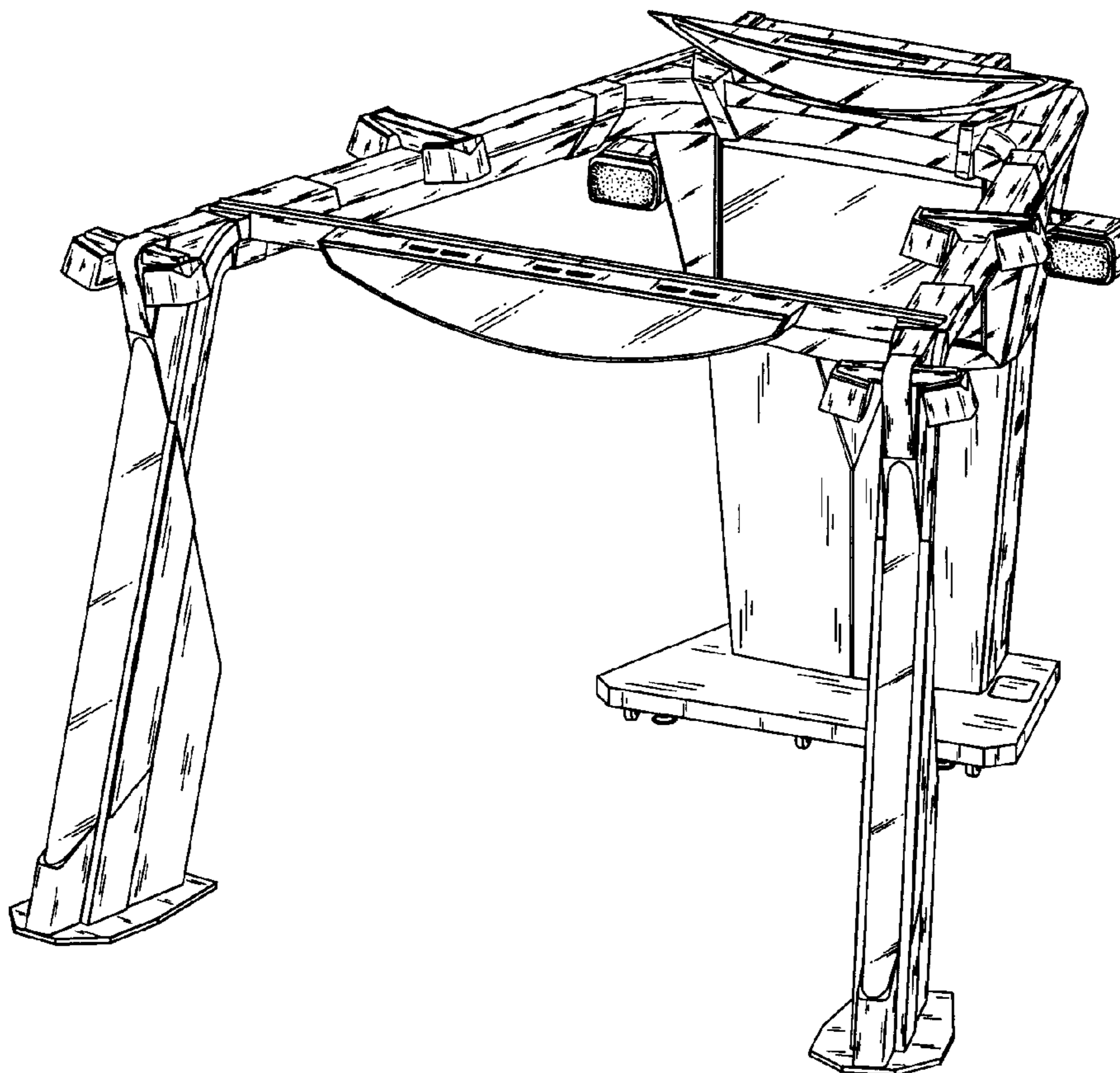


Fig. 1

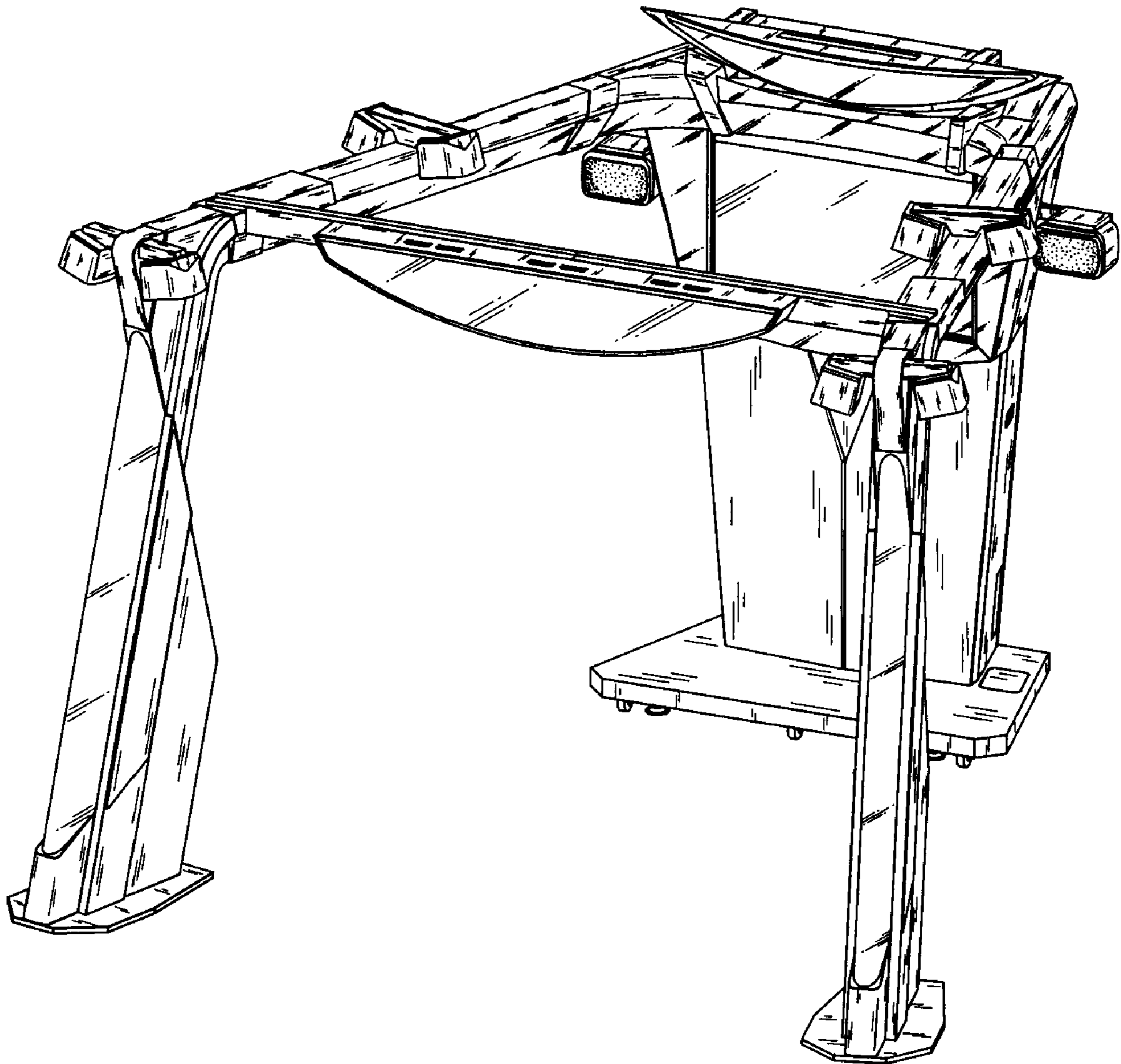


Fig.2

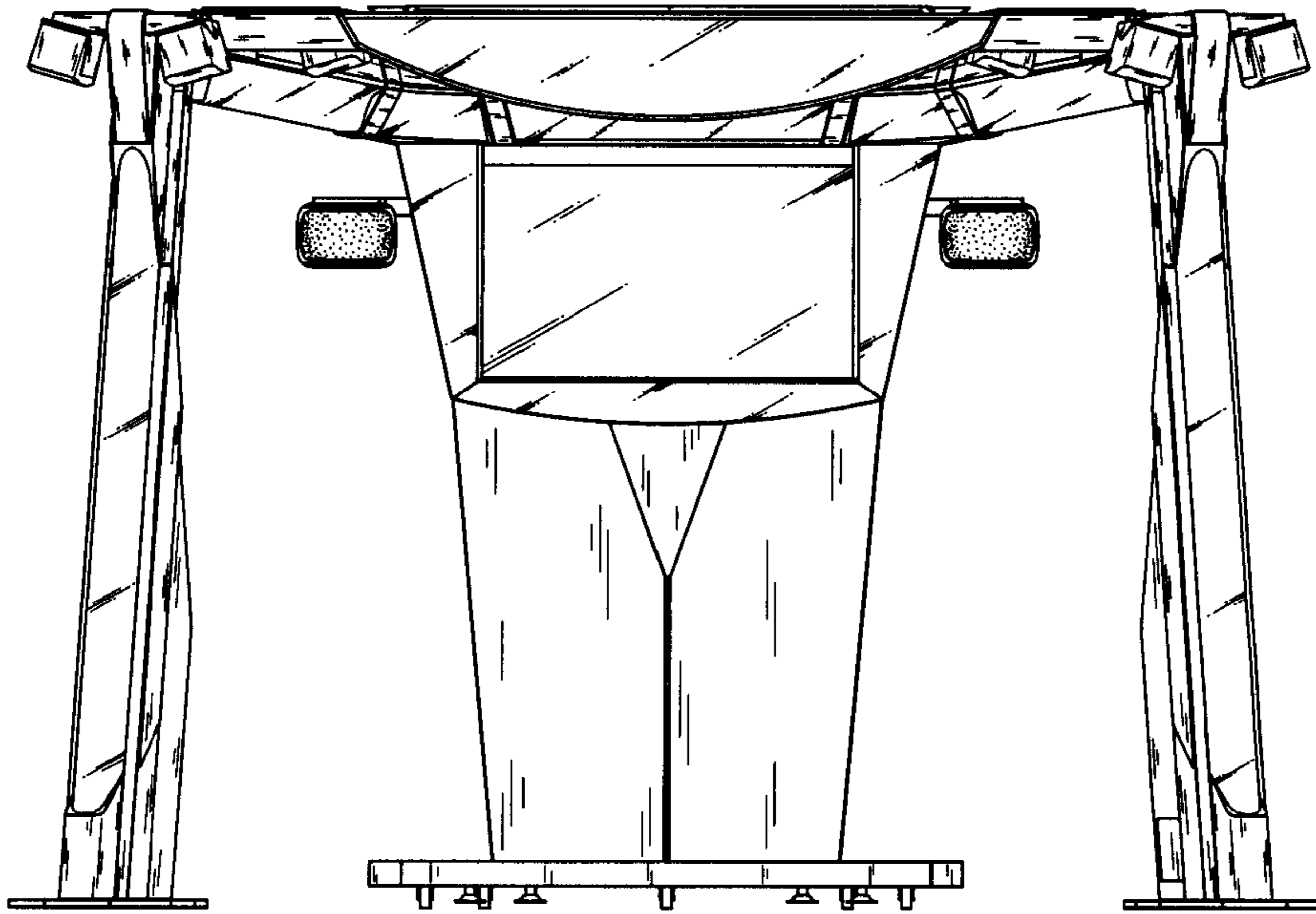


Fig.3

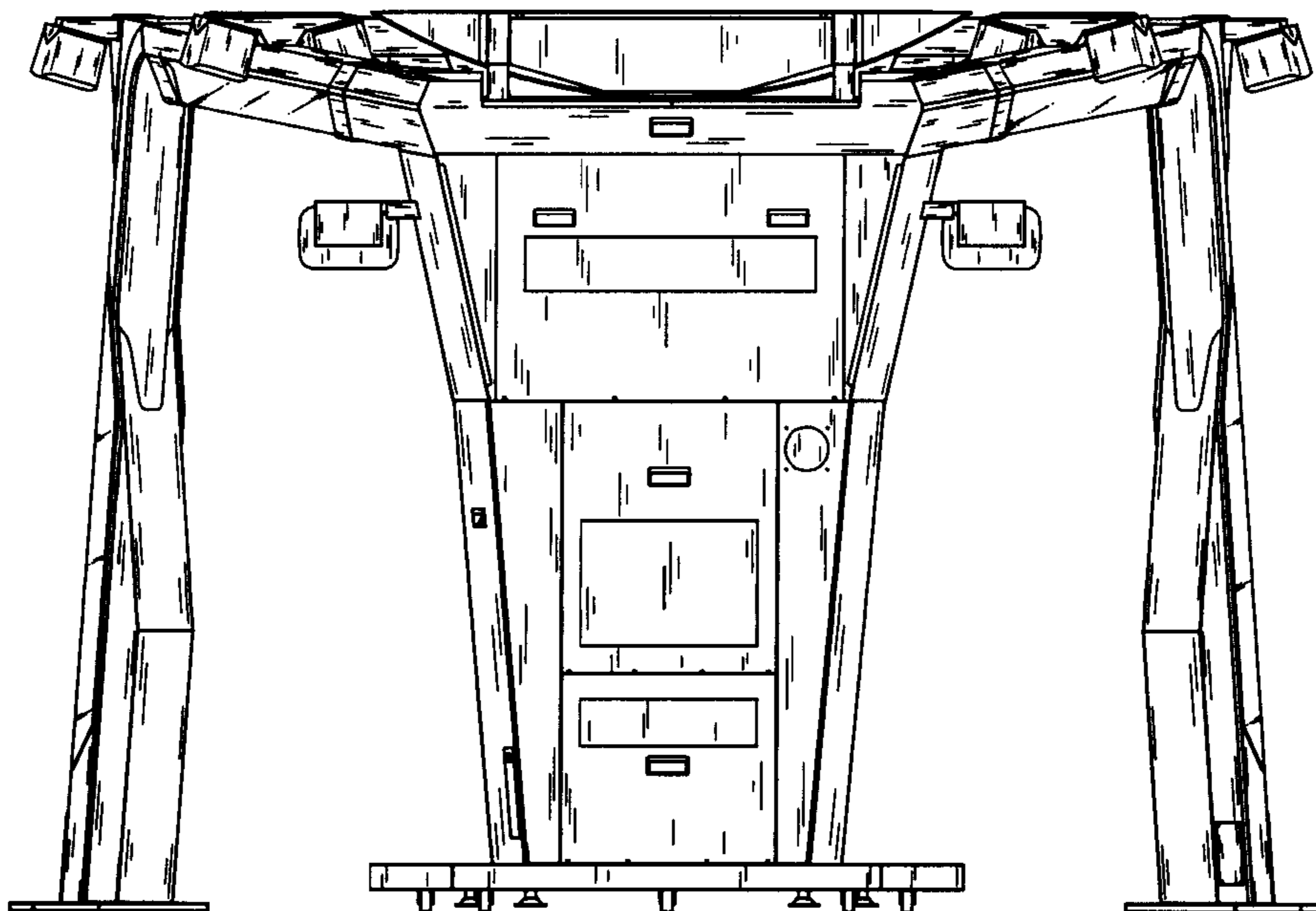


Fig.4

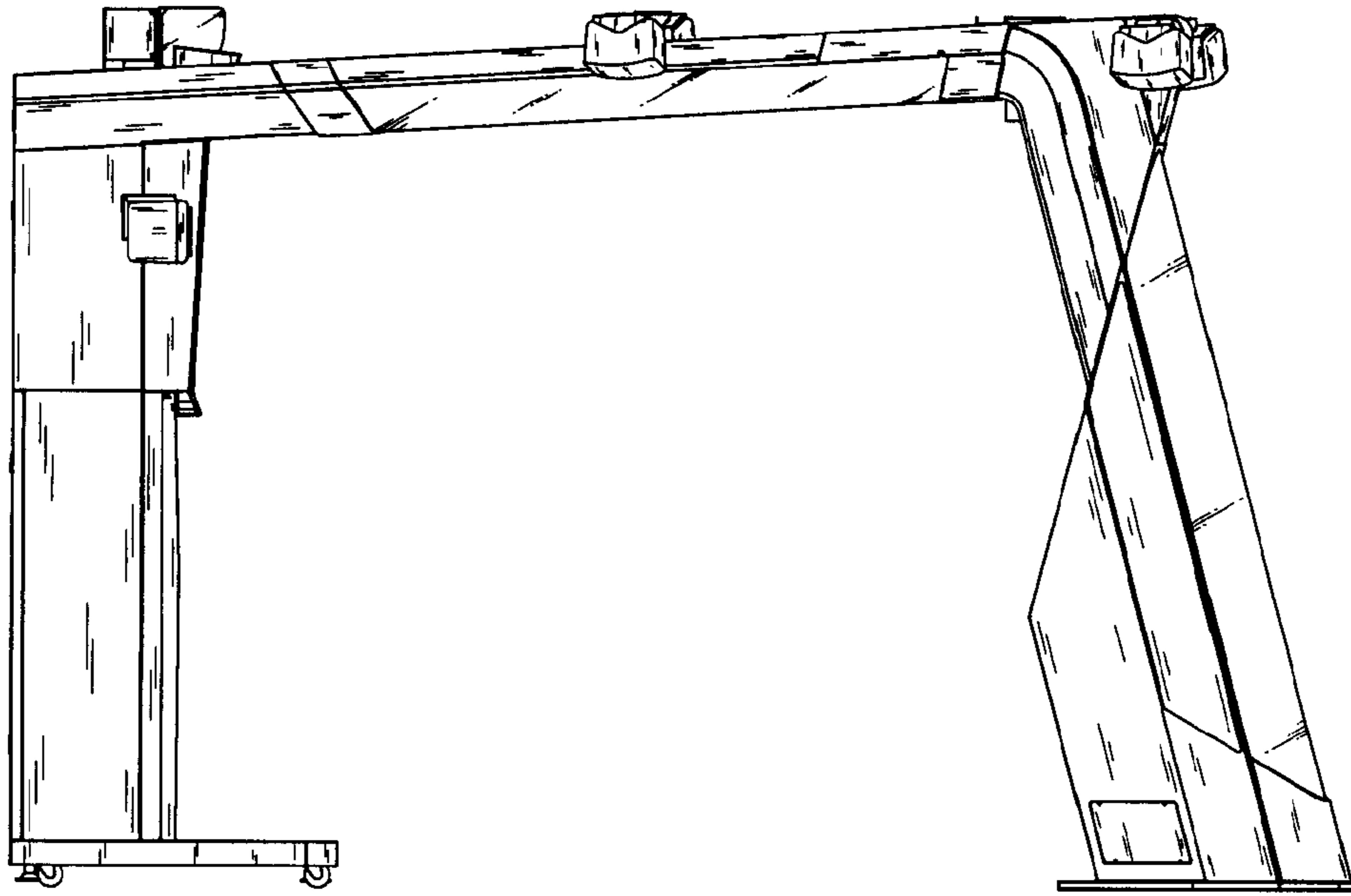


Fig.5

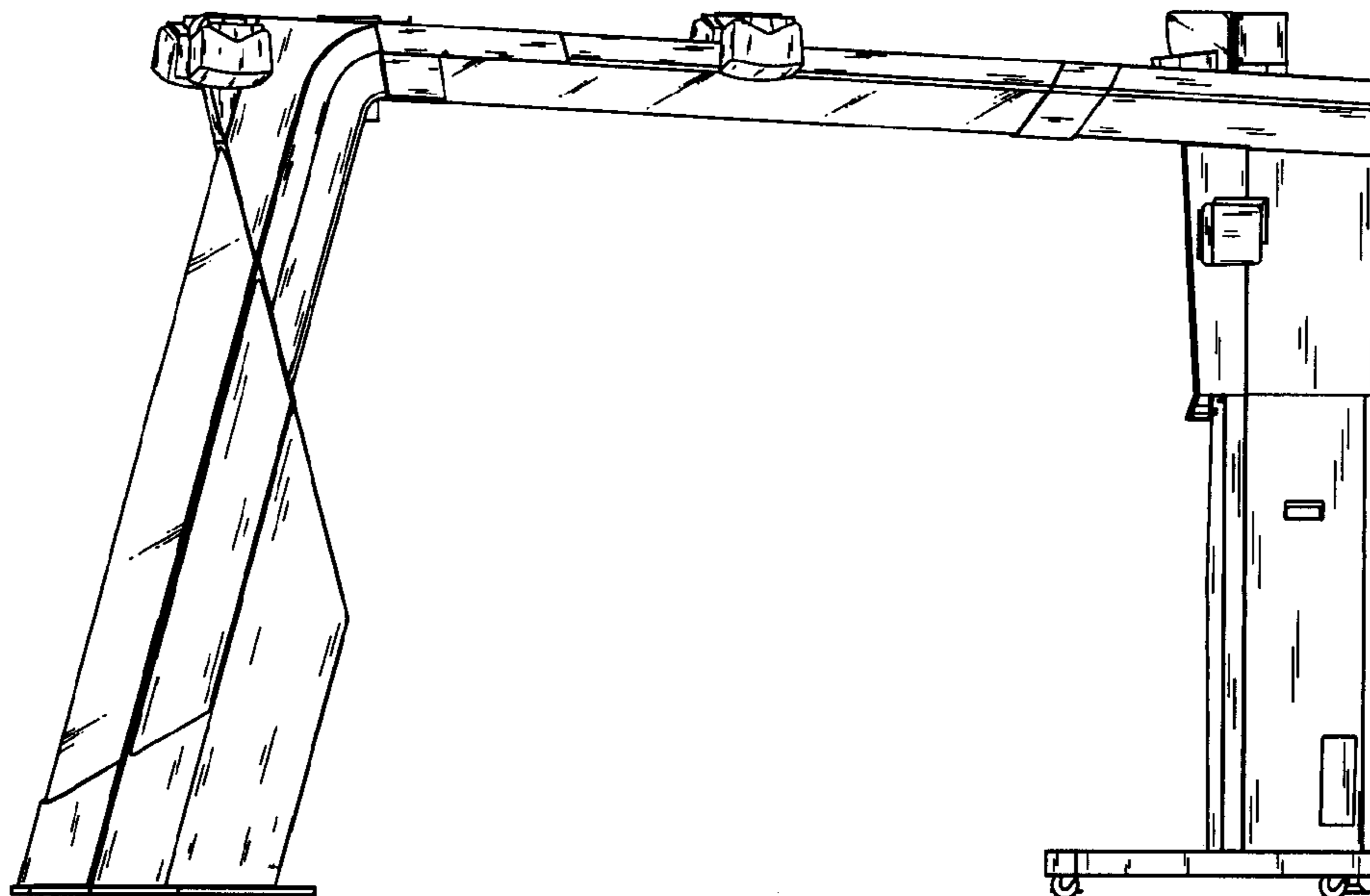


Fig.6

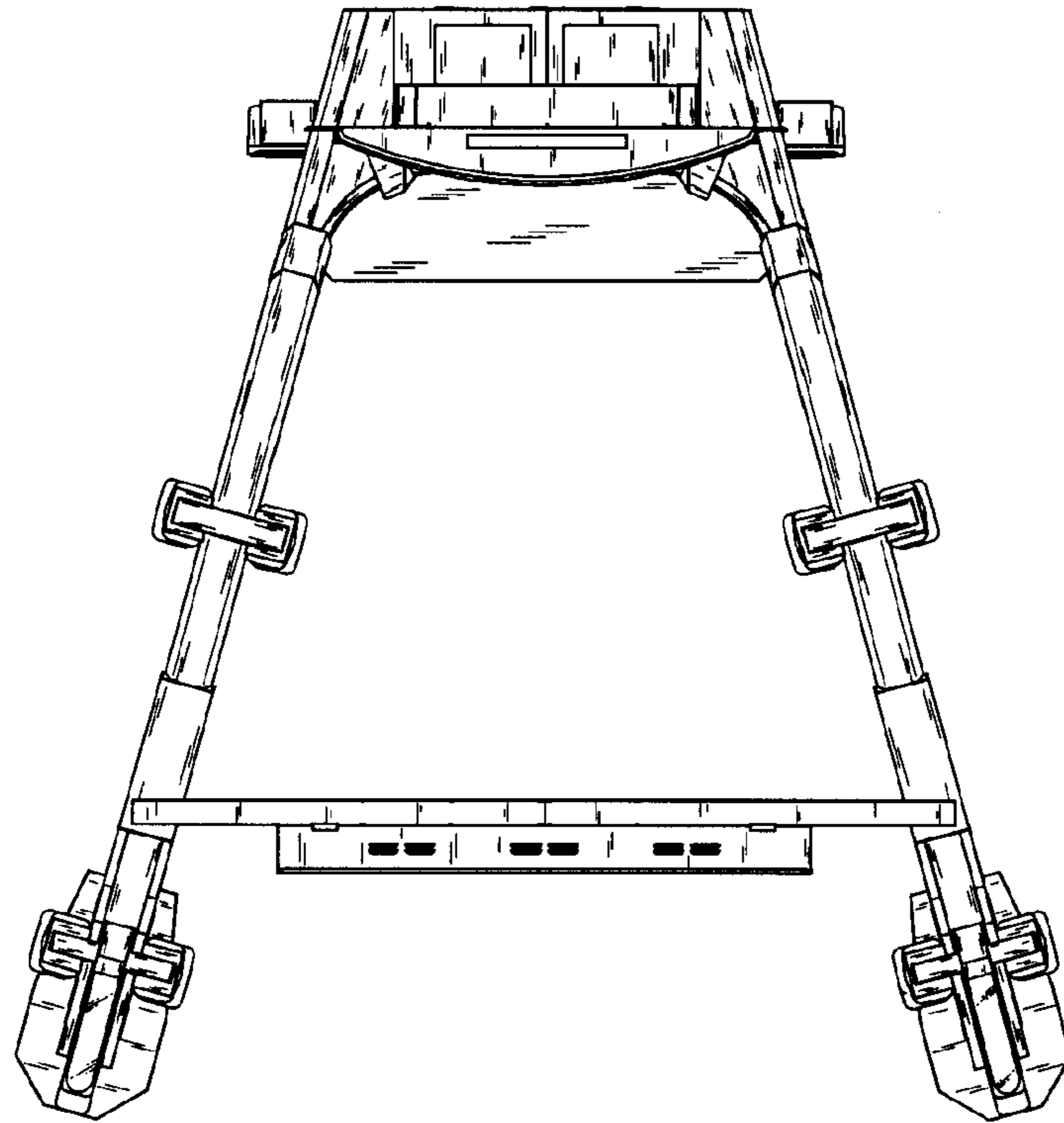


Fig.7

