

US00D544041S

(12) **United States Design Patent**  
**Murphy et al.**

(10) **Patent No.:** **US D544,041 S**

(45) **Date of Patent:** **\*\* Jun. 5, 2007**

(54) **BAG TOSS GAME TARGET ASSEMBLY**

D382,601 S \* 8/1997 Antill ..... D21/319  
5,765,832 A \* 6/1998 Huff ..... 273/354  
D408,462 S \* 4/1999 Frycz ..... D21/303  
D416,947 S \* 11/1999 Coutu, Sr. .... D21/303

(75) Inventors: **Robert D. Murphy**, North Olmsted,  
OH (US); **Randolph E. Digges, III**,  
North Olmsted, OH (US)

\* cited by examiner

(73) Assignee: **KT Games Inc.**, Cleveland, OH (US)

*Primary Examiner*—Prabhakar Deshmukh

(\*\*) Term: **14 Years**

(57) **CLAIM**

(21) Appl. No.: **29/249,003**

The ornamental design for a bag toss game target assembly,  
as shown and described.

(22) Filed: **Sep. 14, 2006**

**DESCRIPTION**

(51) **LOC (8) Cl.** ..... **21-01**

(52) **U.S. Cl.** ..... **D21/303**

(58) **Field of Classification Search** ..... D21/300–303,  
D21/306; 273/398, 400, 402, 407, 415, 317  
See application file for complete search history.

FIG. 1 is a perspective view of the bag toss game target  
assembly according to our new design;

FIG. 2 is a another view thereof taken from a different  
perspective;

FIG. 3 is a a top plan view thereof;

FIG. 4 is a a side elevation view thereof, the opposite side  
being a mirror image thereof;

FIG. 5 is a front elevation view thereof;

FIG. 6 is a rear elevation view thereof; and,

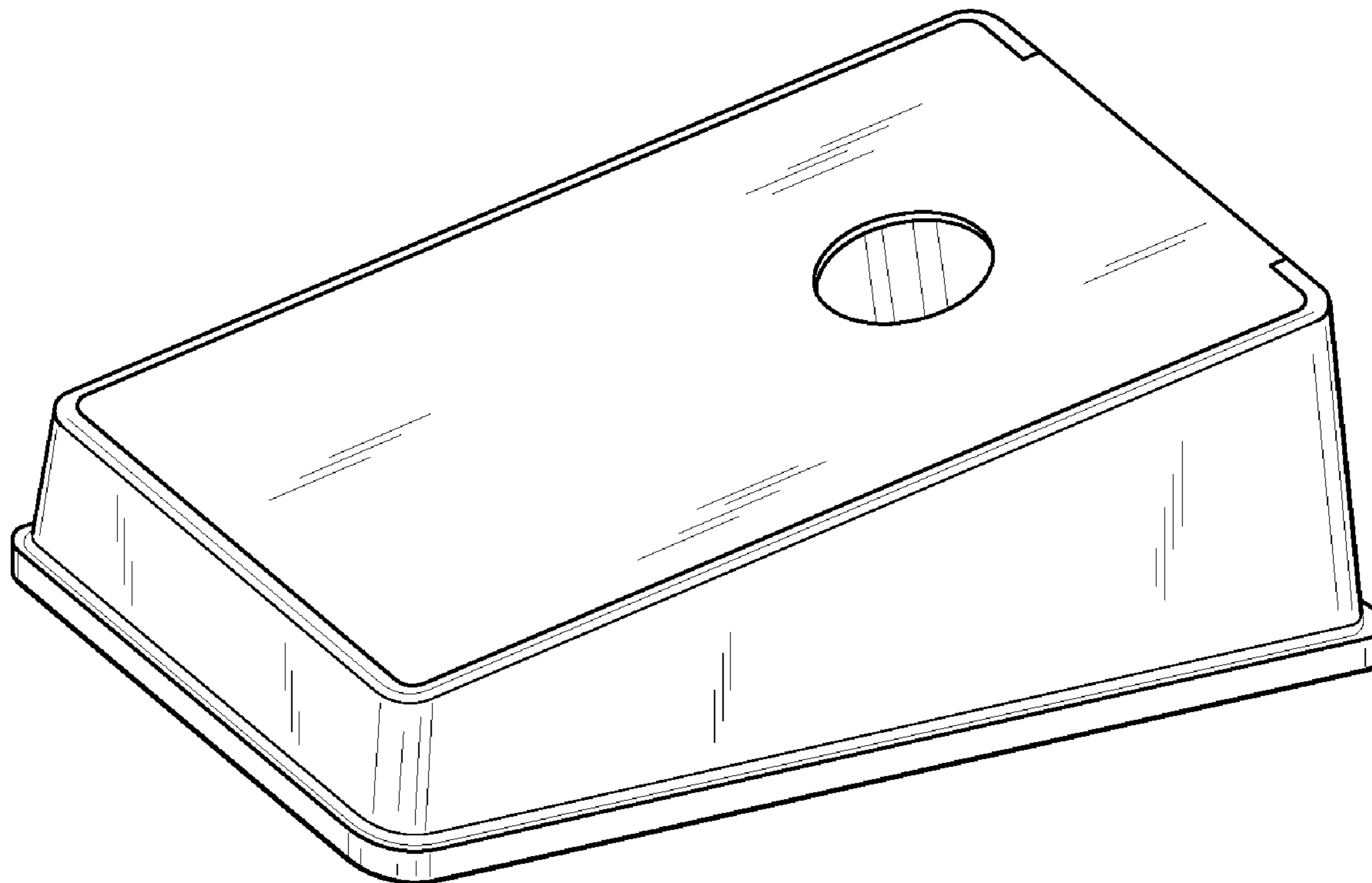
FIG. 7 is a bottom plan view thereof.

(56) **References Cited**

**U.S. PATENT DOCUMENTS**

4,961,586 A \* 10/1990 Conville ..... 273/402  
5,056,796 A \* 10/1991 Conville ..... 273/402  
5,165,695 A \* 11/1992 Yoder ..... 273/402  
5,332,230 A \* 7/1994 Benedict ..... 473/594  
D363,953 S \* 11/1995 Buse ..... D21/303  
D375,530 S \* 11/1996 Rudd ..... D21/303

**1 Claim, 3 Drawing Sheets**



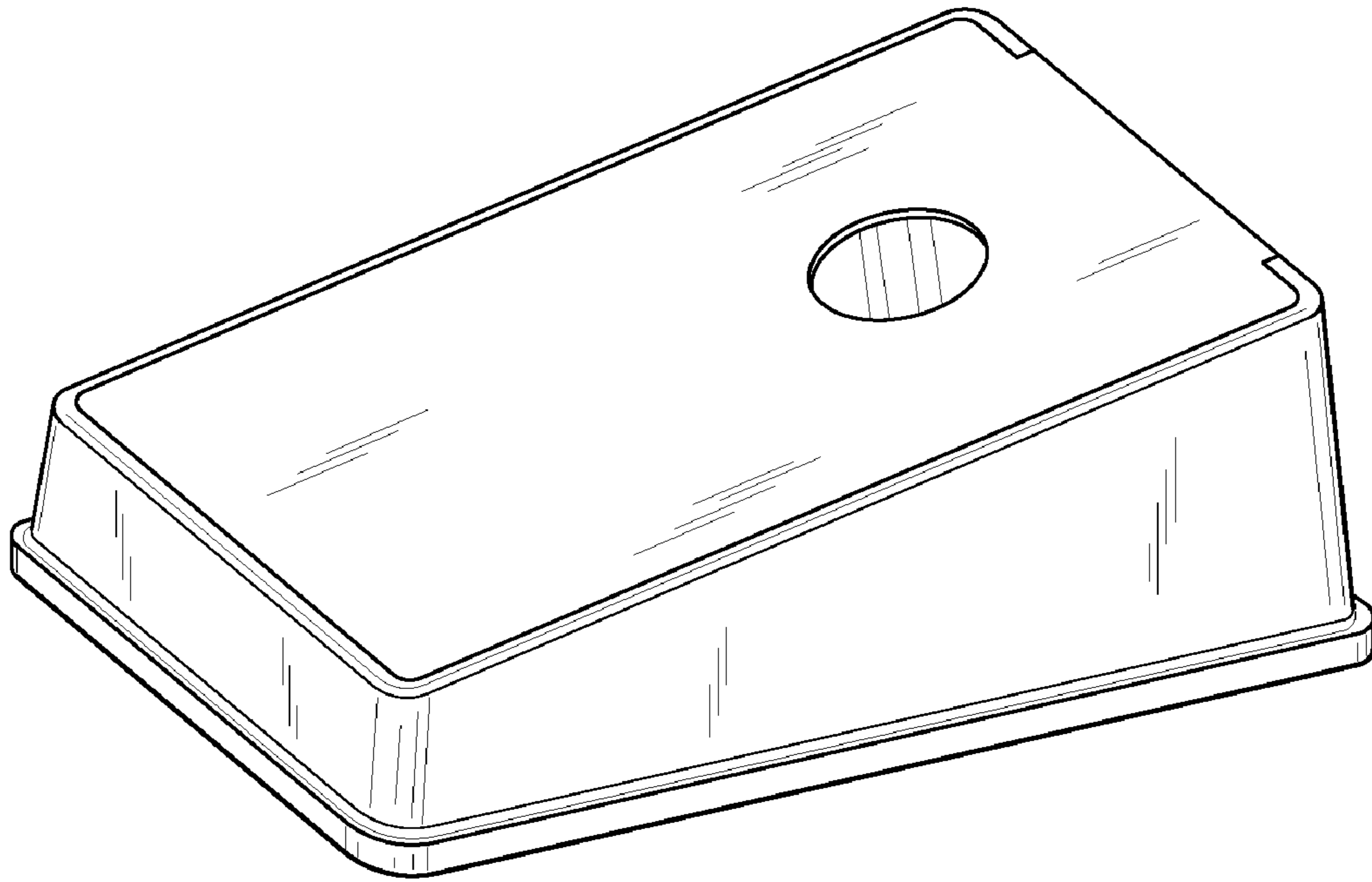


FIG. 1

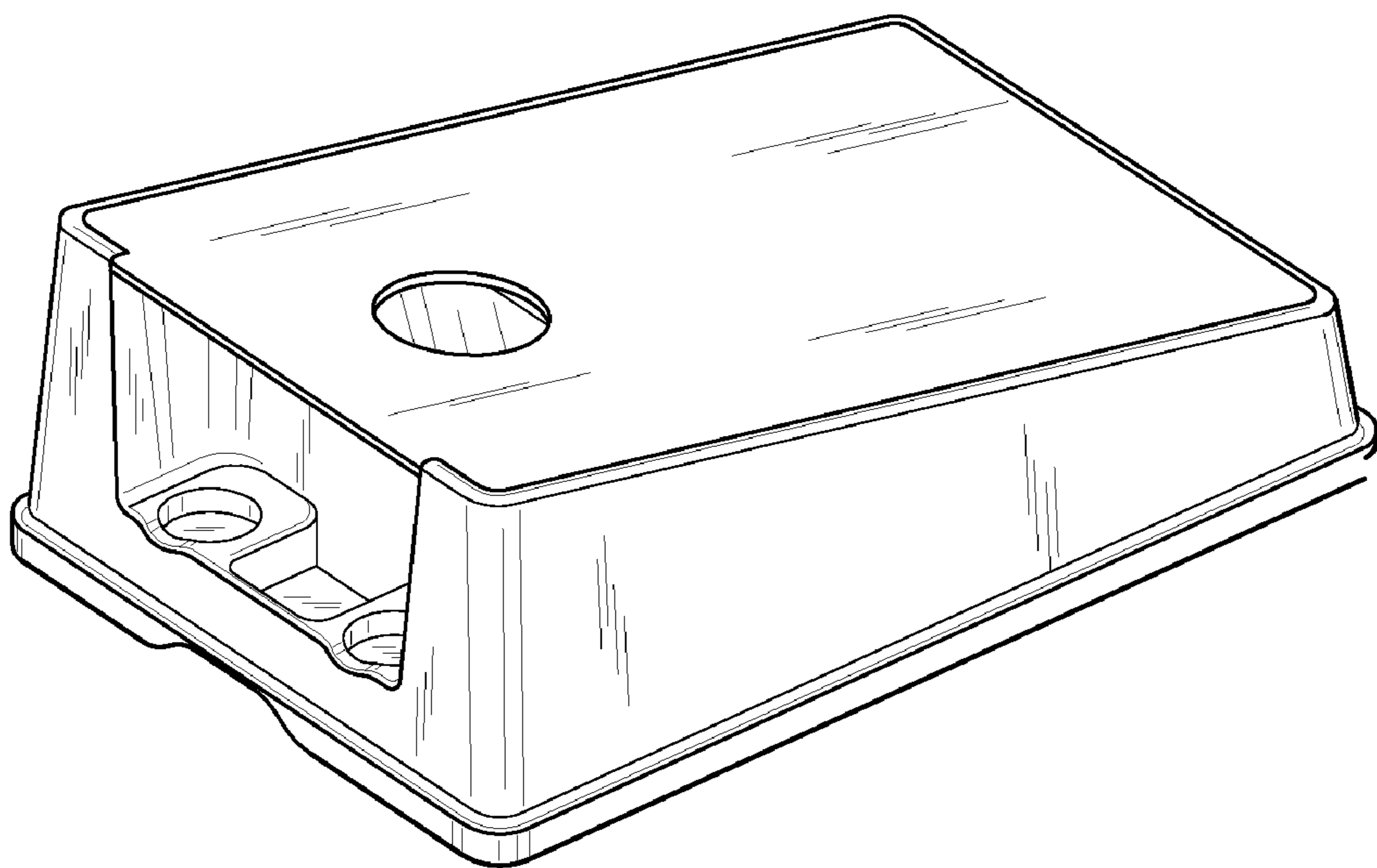


FIG. 2

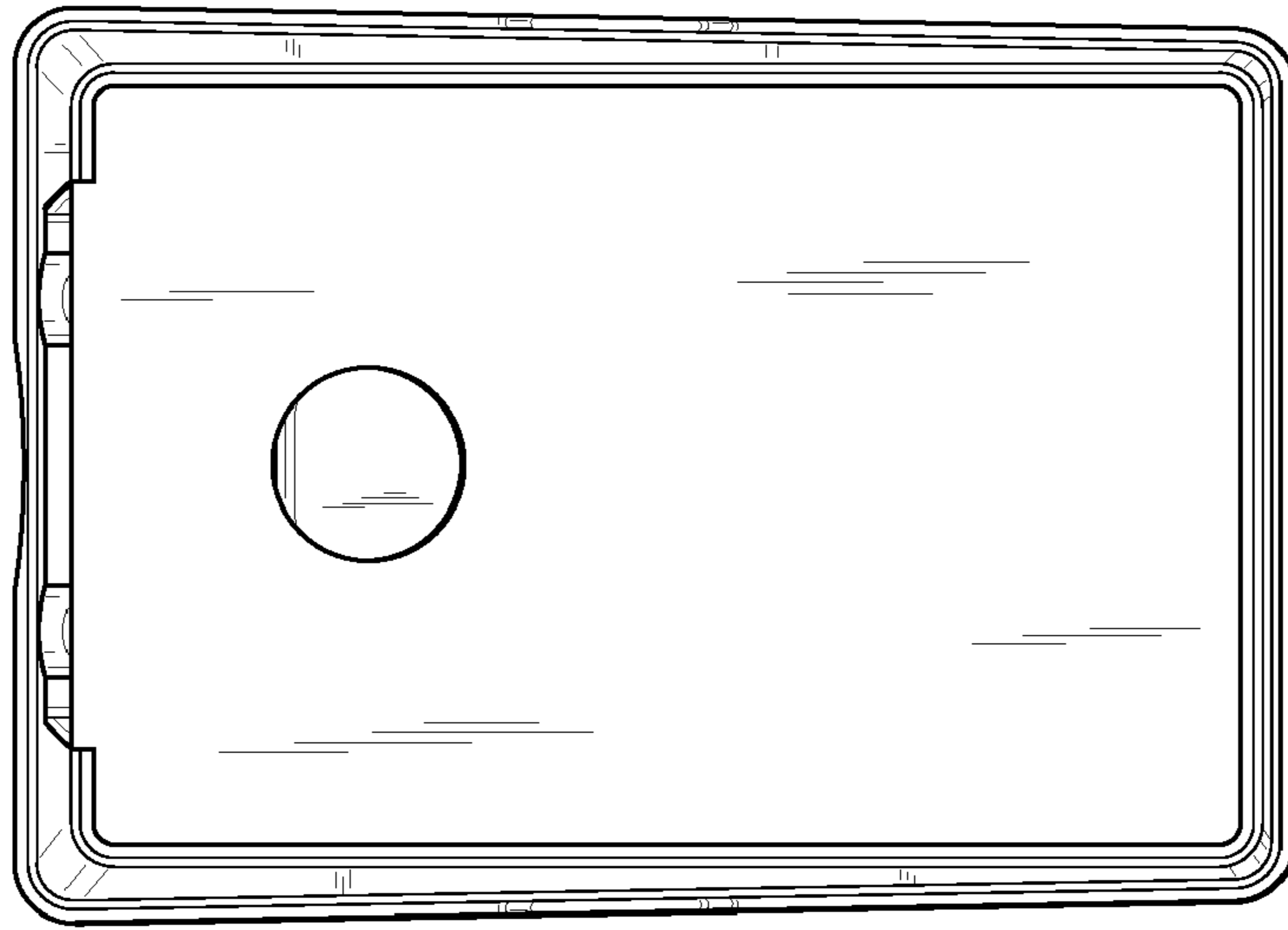


FIG. 3

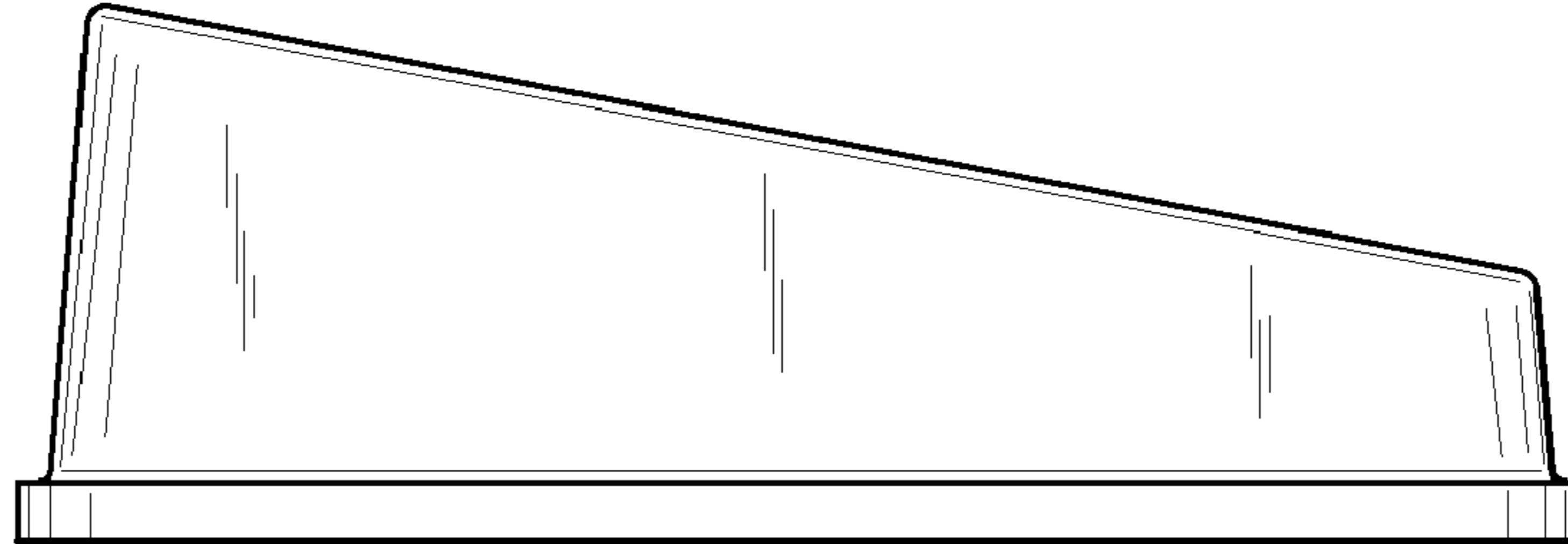


FIG. 4

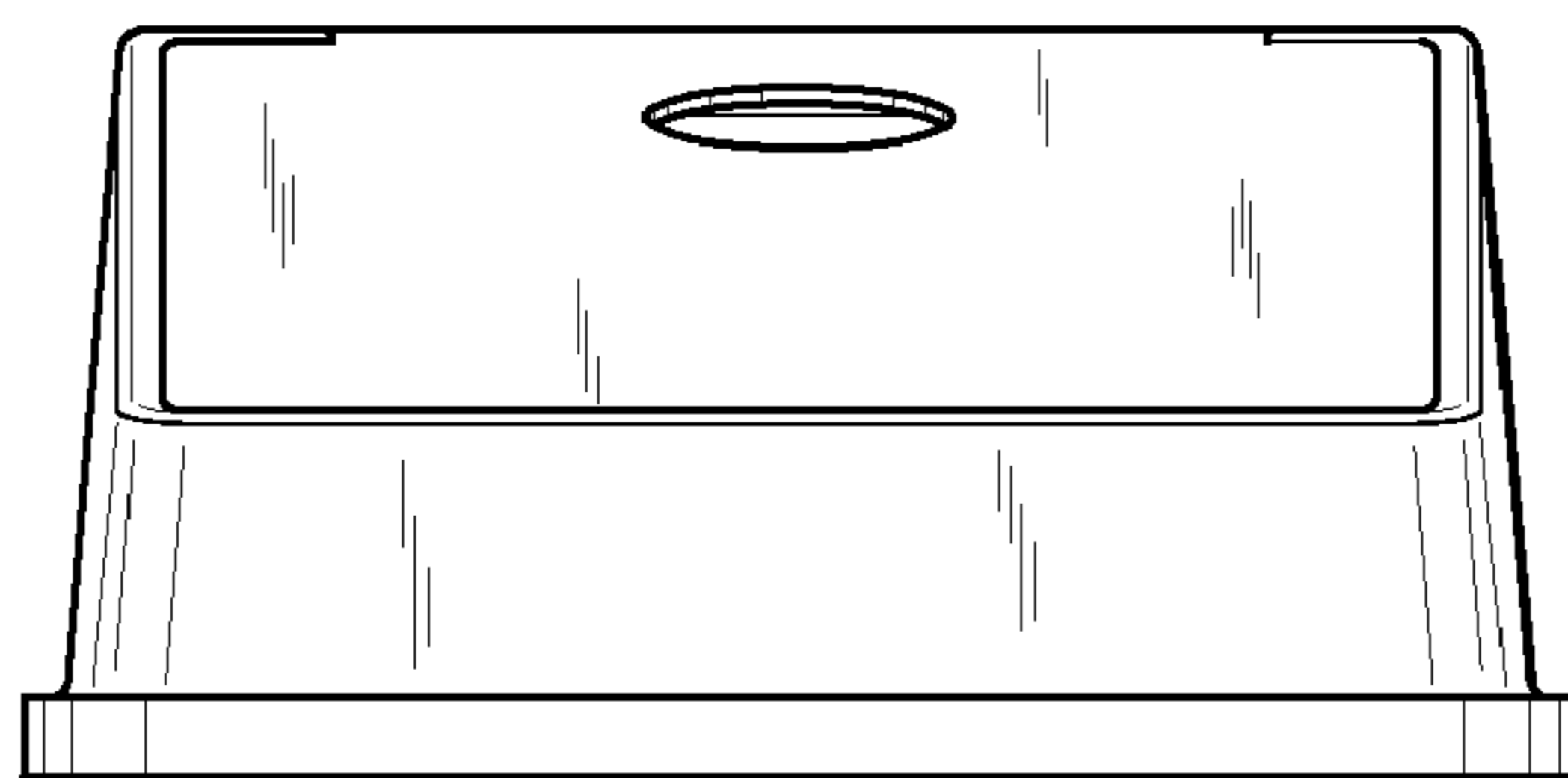
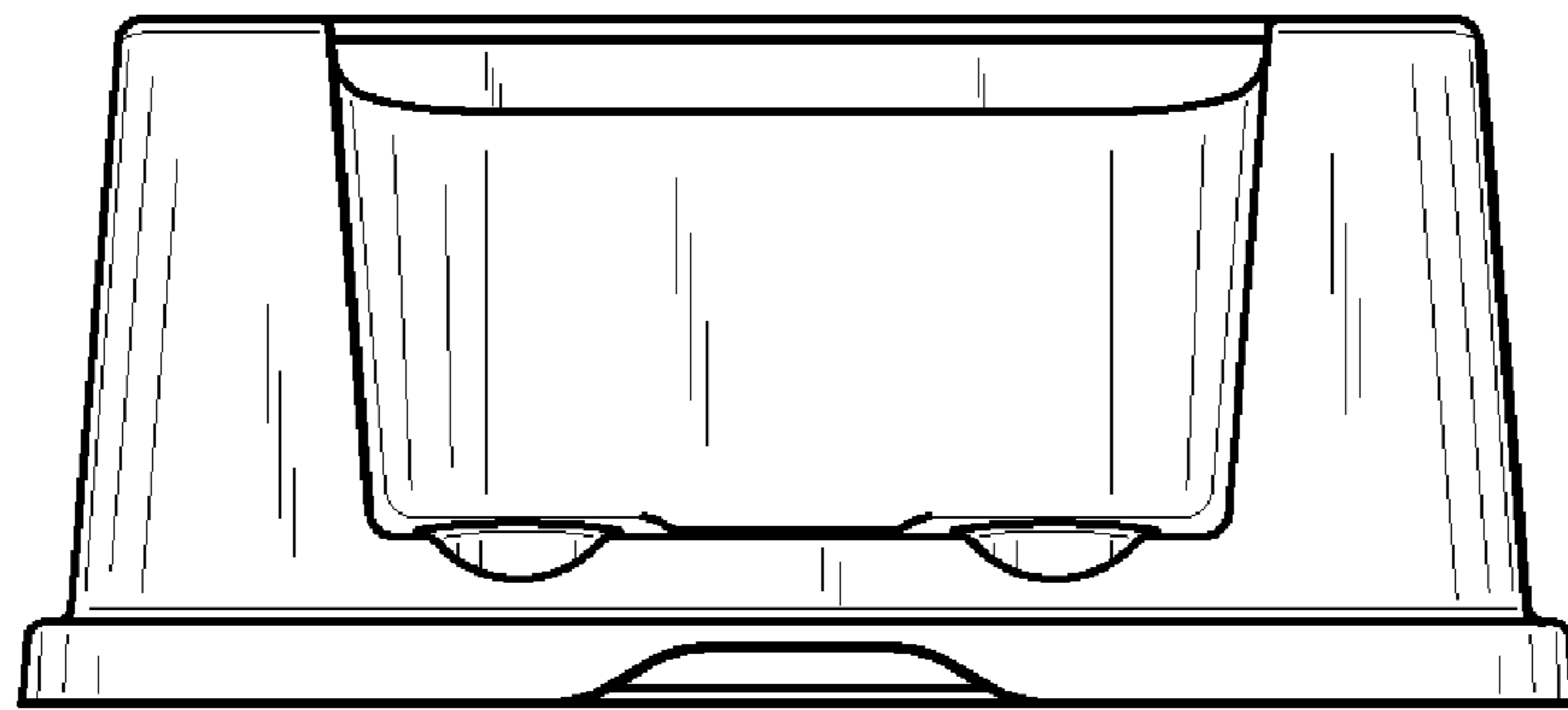
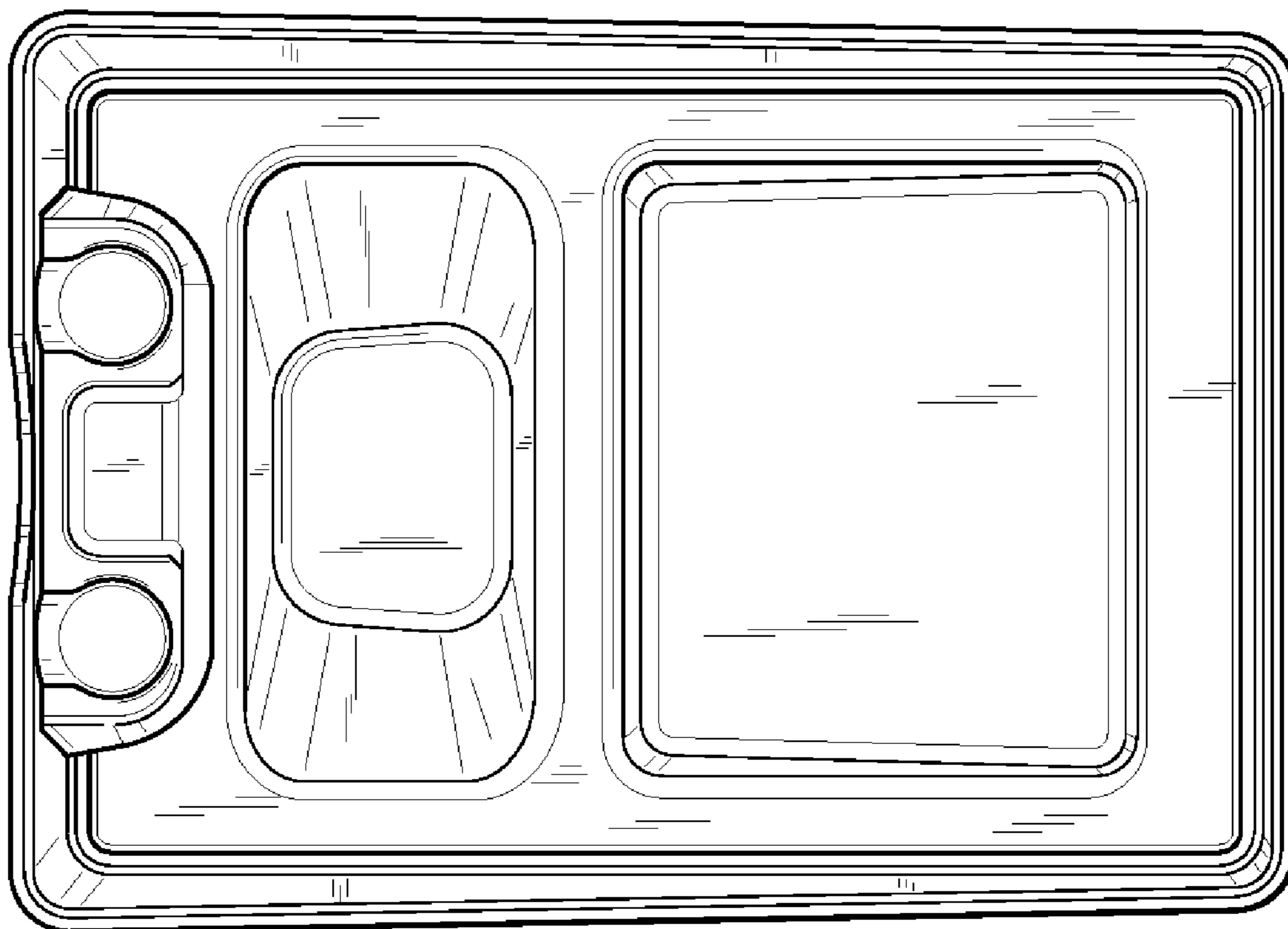


FIG. 5



**FIG. 6**



**FIG. 7**