

US00D544039S

(12) **United States Design Patent**
Mora

(10) **Patent No.:** **US D544,039 S**

(45) **Date of Patent:** **** Jun. 5, 2007**

(54) **SALON DISPLAY DEVICE**

D483,808 S 12/2003 Bonner et al.

(76) **Inventor:** **Miguel Mora**, 714 E. 83rd St., 2nd Floor, Brooklyn, NY (US) 11236

* cited by examiner

(**) **Term:** **14 Years**

Primary Examiner—Robert M. Spear
Assistant Examiner—Mary Ann Calabrese
(74) *Attorney, Agent, or Firm*—Crossley Patent Law; Mark A. Crossley

(21) **Appl. No.:** **29/243,183**

(22) **Filed:** **Nov. 22, 2005**

(57) **CLAIM**

(51) **LOC (8) Cl.** **20-03**

The ornamental design for a salon display device, as shown and described.

(52) **U.S. Cl.** **D20/16**

(58) **Field of Classification Search** D20/10,
D20/13, 16, 19, 29, 42, 99; 40/427, 432,
40/538, 540, 54; D26/72-74, 125; D25/16
See application file for complete search history.

DESCRIPTION

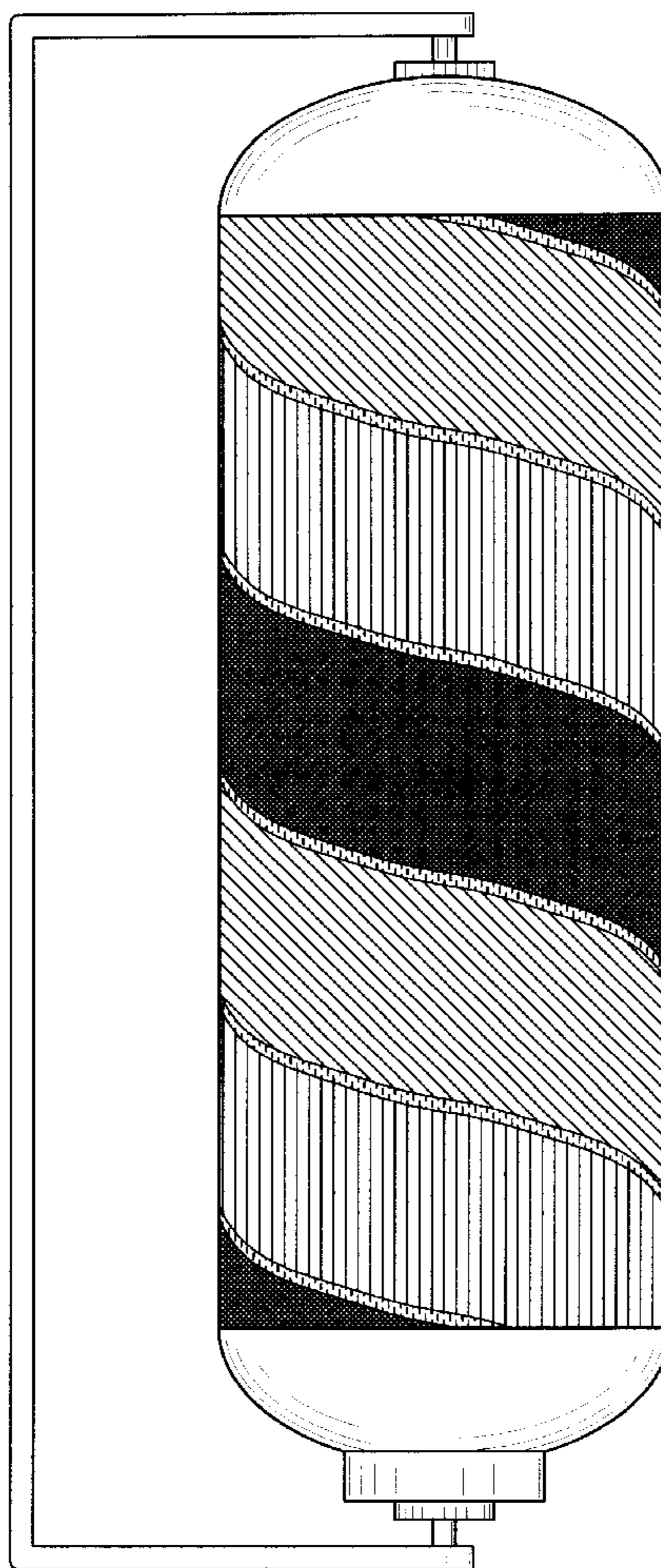
FIG. 1 is a front elevation view of a salon display device showing my new design;
FIG. 2 is a rear elevation view;
FIG. 3 is a left side view;
FIG. 4 is a top plan view; and,
FIG. 5 is a bottom plan view a salon display device showing my new design.
The drawings are lined for the colors black, purple, green and red.

(56) **References Cited**

U.S. PATENT DOCUMENTS

D45,811 S	*	5/1914	Klein	D20/19
D128,270 S	*	7/1941	Torbeck et al.	D20/16
D147,723 S	*	10/1947	Garris	D20/16
D204,728 S	*	5/1966	Mole	D20/16
D362,024 S	*	9/1995	Summa	D20/10

1 Claim, 2 Drawing Sheets



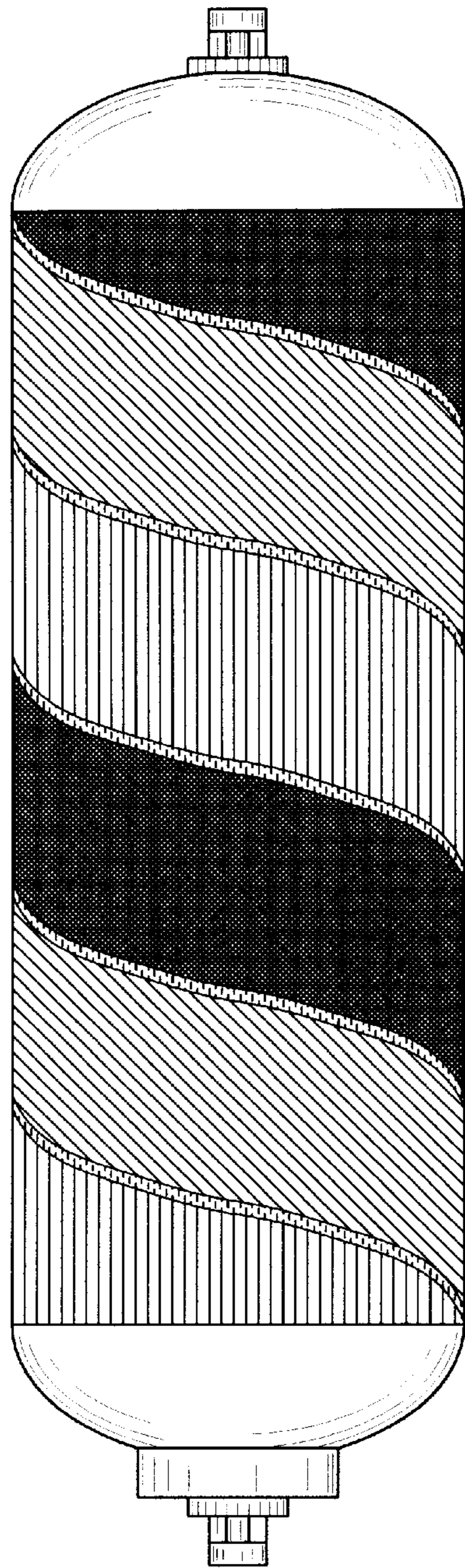


FIG. 1

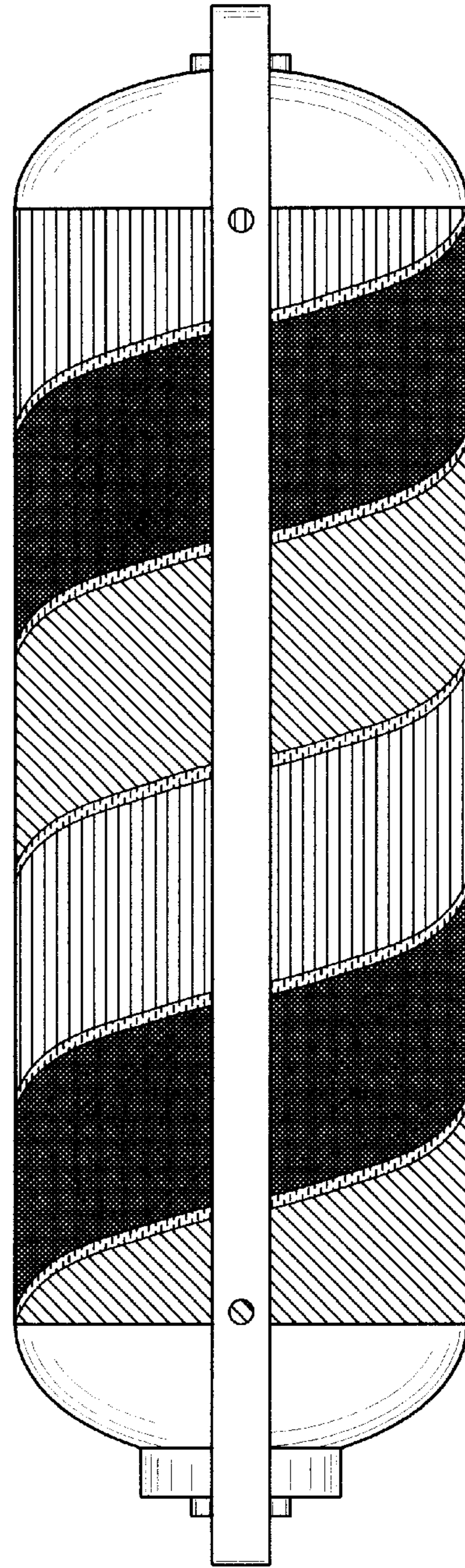


FIG. 2

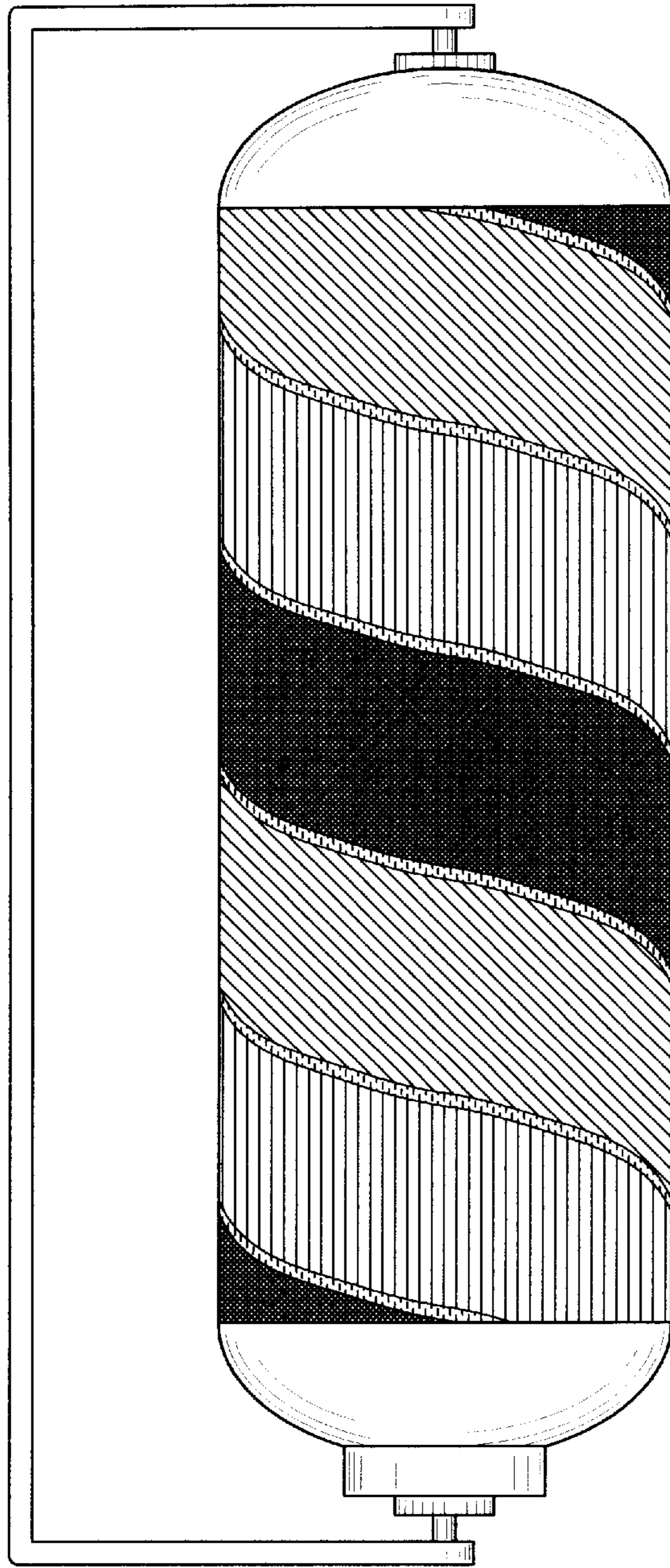


FIG. 3

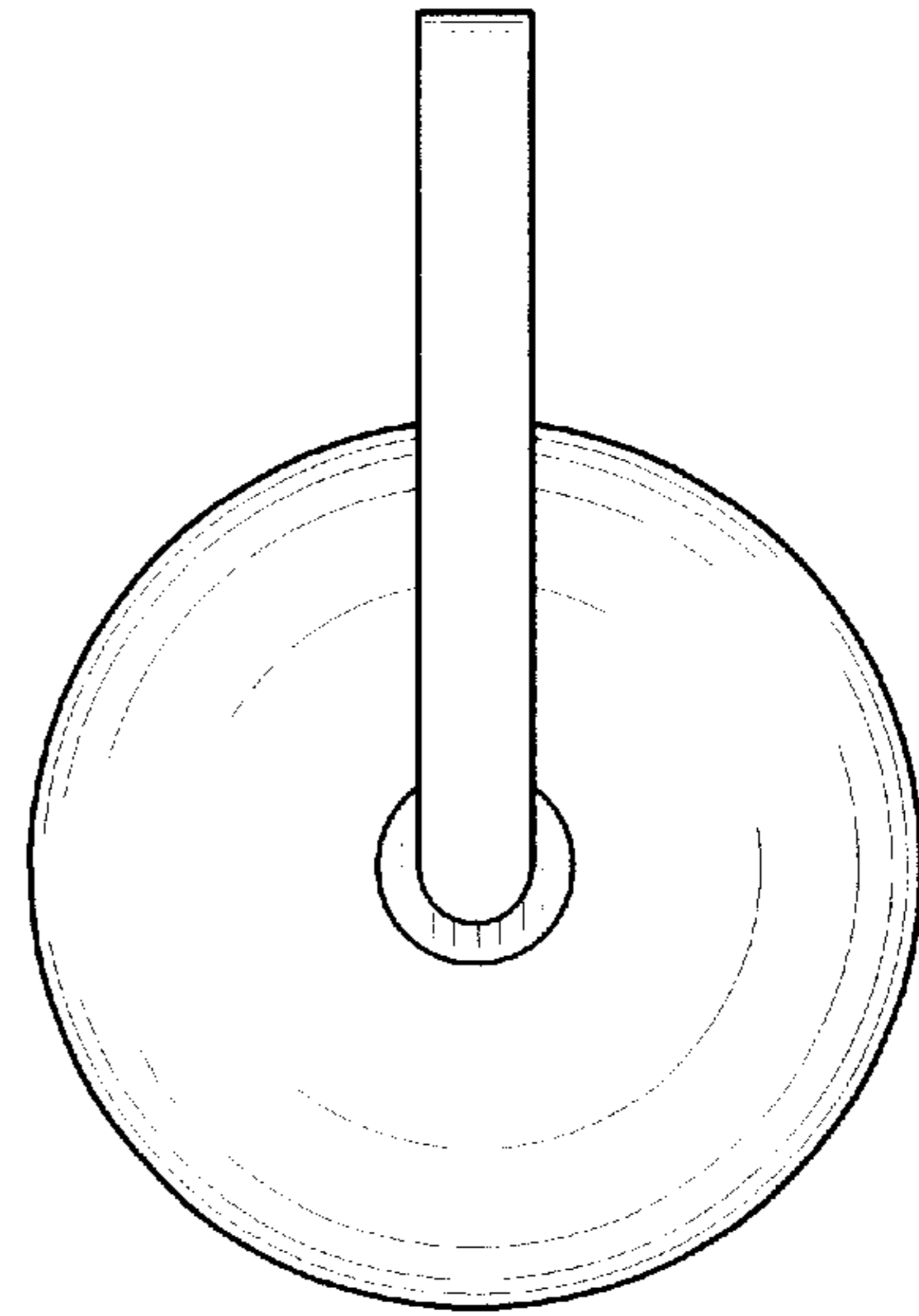


FIG. 4

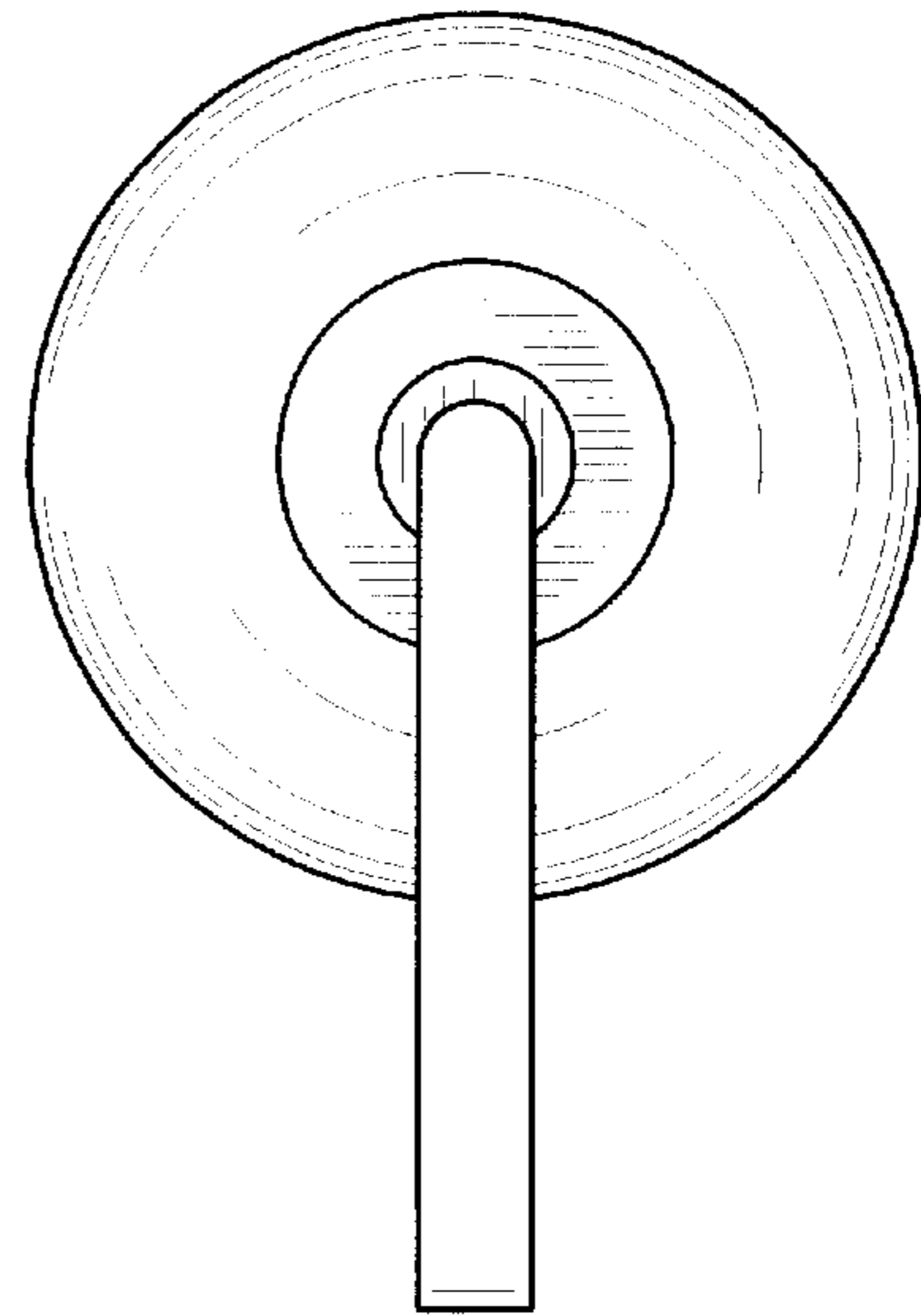


FIG. 5