



US00D544037S

(12) **United States Design Patent**  
**Bonaventura**

(10) **Patent No.:** **US D544,037 S**

(45) **Date of Patent:** **\*\* Jun. 5, 2007**

(54) **LETTER TRAY**

(75) Inventor: **Gina Bonaventura**, Indianapolis, IN  
(US)

(73) Assignee: **Deflecto Corporation**, Indianapolis, IN  
(US)

(\*\*) Term: **14 Years**

(21) Appl. No.: **29/247,598**

(22) Filed: **Jun. 28, 2006**

(51) **LOC (8) Cl.** ..... **19-02**

(52) **U.S. Cl.** ..... **D19/92**

(58) **Field of Classification Search** ..... D3/304,  
D3/314; D19/75, 77, 78, 83, 85, 86, 90,  
D19/91, 92; 206/215, 555, 556, 557; 211/11,  
211/126.1–126.7, 126.14, 126.16  
See application file for complete search history.

(56) **References Cited**

**U.S. PATENT DOCUMENTS**

- D116,600 S \* 9/1939 Thorn et al. .... D19/92
- 2,901,120 A \* 8/1959 Abrahamson ..... 211/126.12
- 2,940,602 A \* 6/1960 Lockwood ..... 211/126.2
- 3,095,093 A \* 6/1963 Pelak ..... 211/126.12
- 3,968,881 A \* 7/1976 Beil et al. .... 211/126.12

- 4,550,838 A \* 11/1985 Nathan et al. .... 211/126.12
- D297,689 S \* 9/1988 Zimmer ..... D6/473
- D325,222 S \* 4/1992 Brusing ..... D19/92
- D428,059 S \* 7/2000 Saylor et al. .... D19/92

\* cited by examiner

*Primary Examiner*—Elizabeth A. Albert

(74) *Attorney, Agent, or Firm*—Sonnenschein, Nath &  
Rosenthal LLP; Brian R. McGinley

(57) **CLAIM**

The ornamental design for a letter tray, as shown and described.

**DESCRIPTION**

FIG. 1 is a perspective view of a letter tray showing the new design;

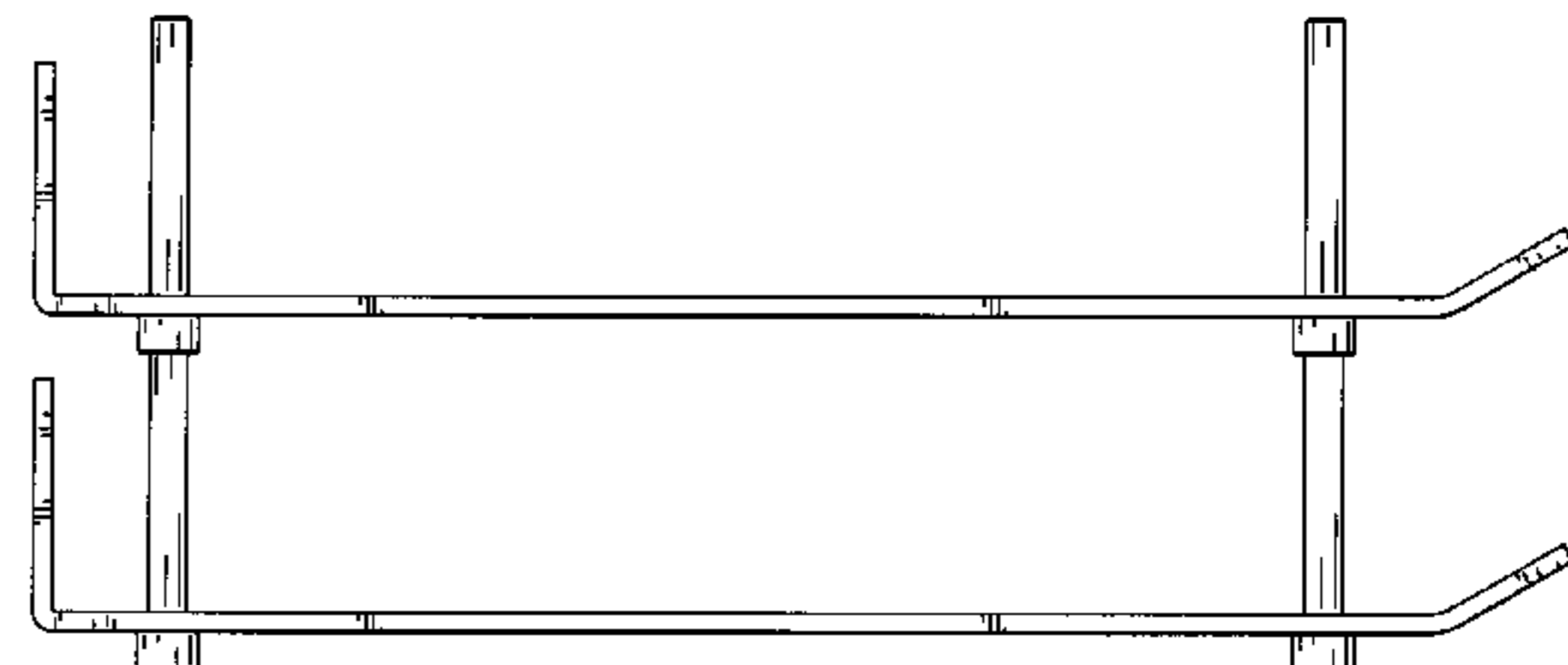
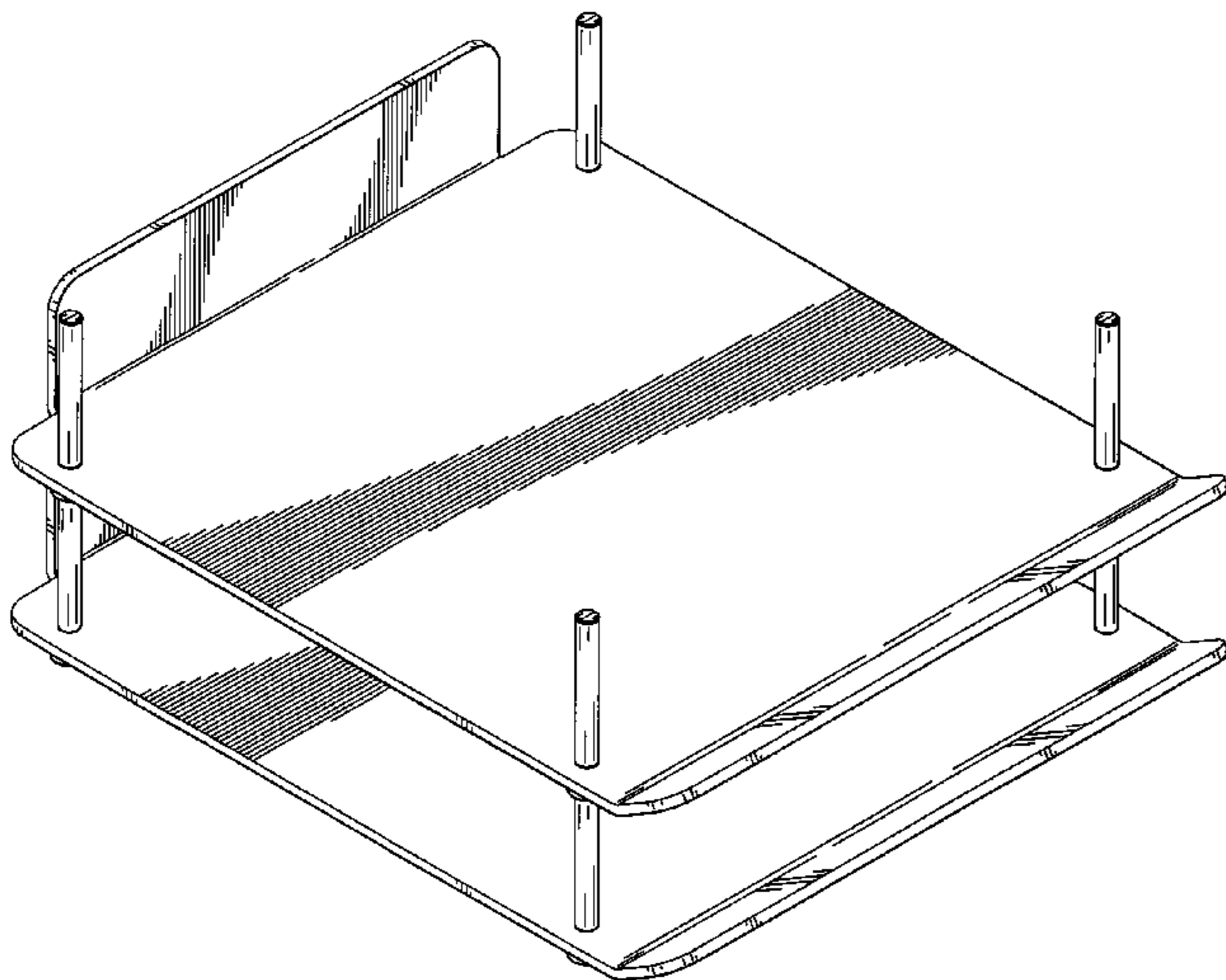
FIG. 2 is a front view of the letter tray shown in FIG. 1;

FIG. 3 is a rear view of the letter tray shown in FIG. 1;

FIG. 4 is a right side elevational view of the letter tray shown in FIG. 1 (the left side elevational view of the letter tray is a mirror image of the view shown in FIG. 4);

FIG. 5 is a top view of the letter tray shown in FIG. 1; and,  
FIG. 6 is a bottom view of the letter tray shown in FIG. 1.

**1 Claim, 6 Drawing Sheets**



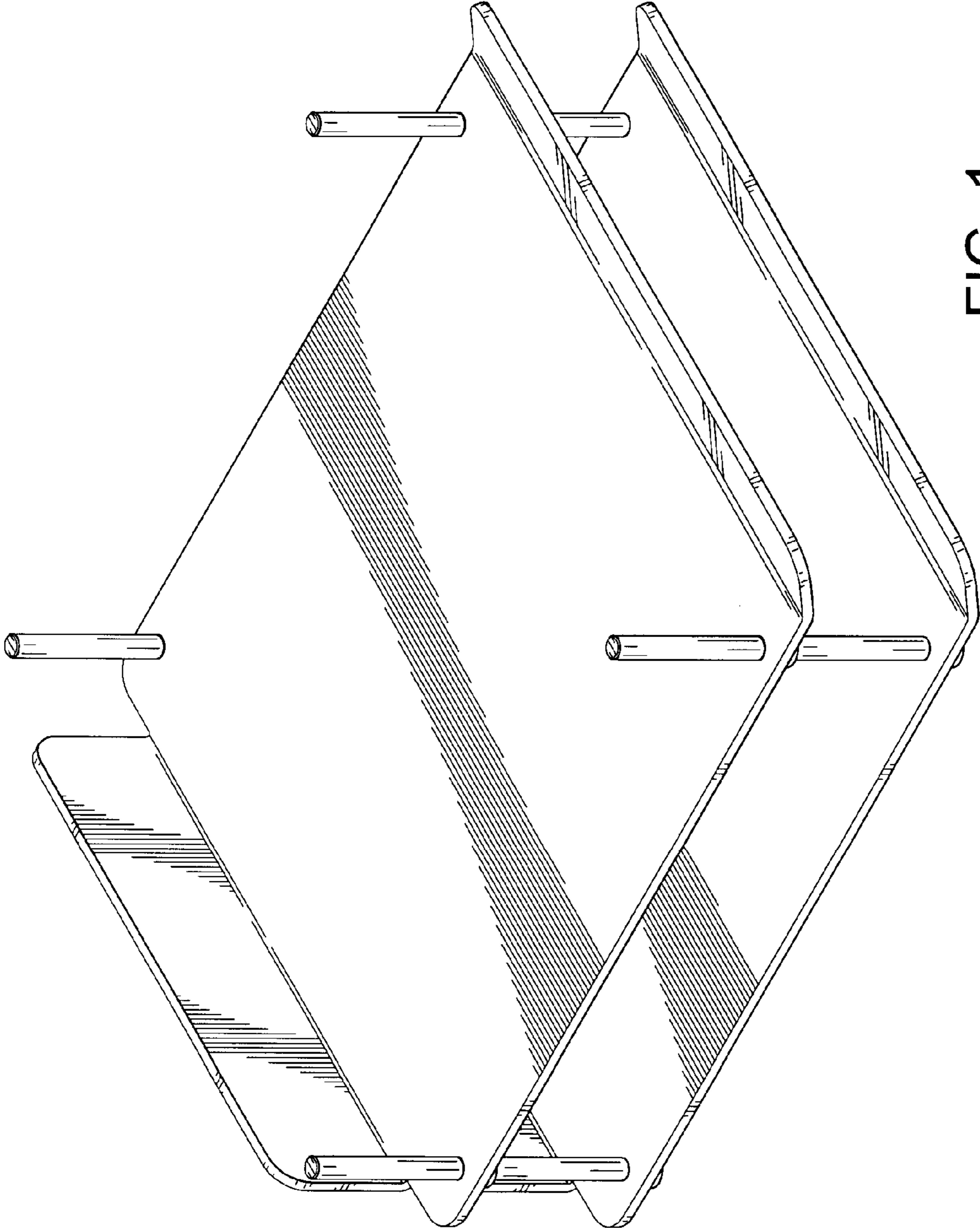


FIG. 1

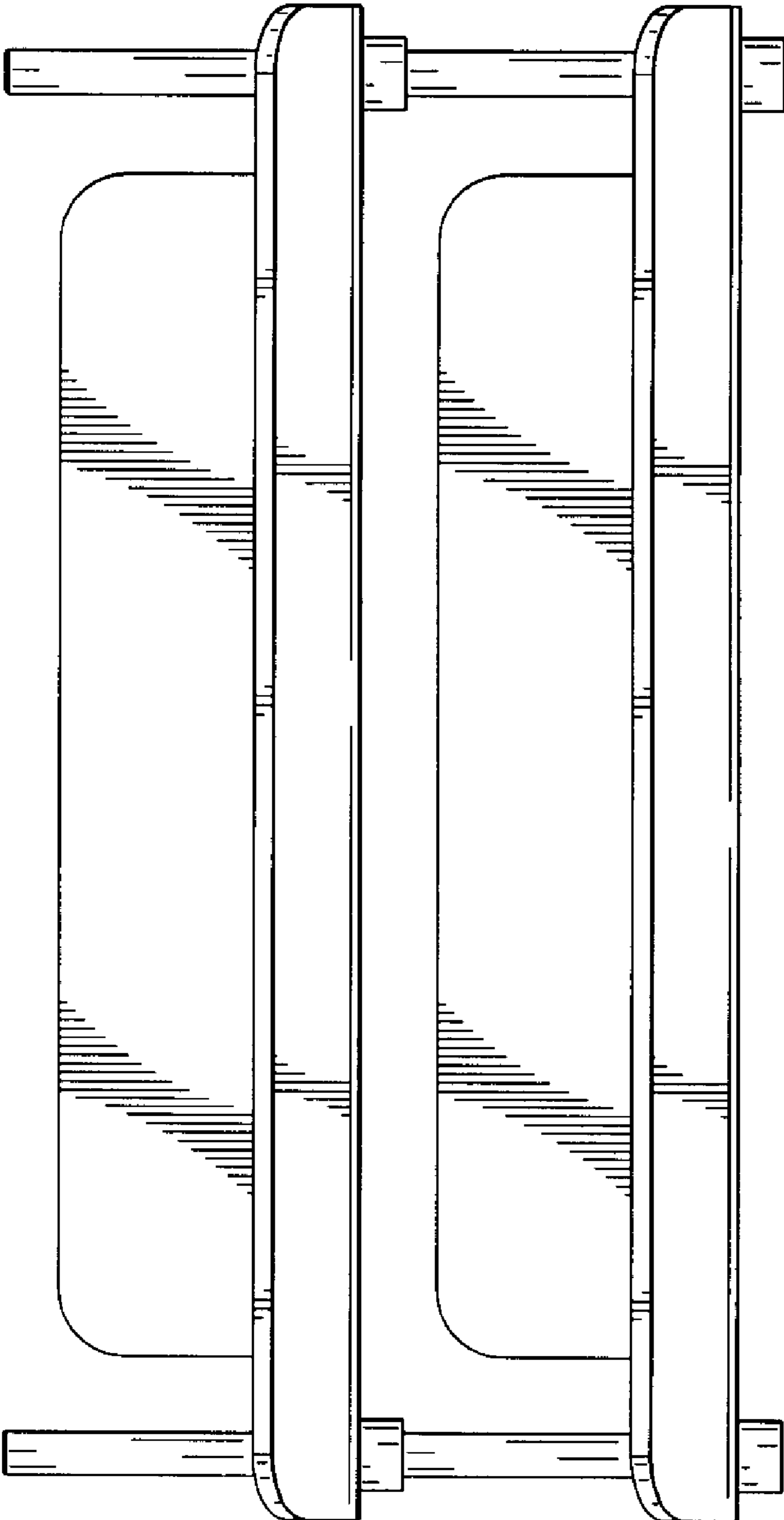


FIG. 2

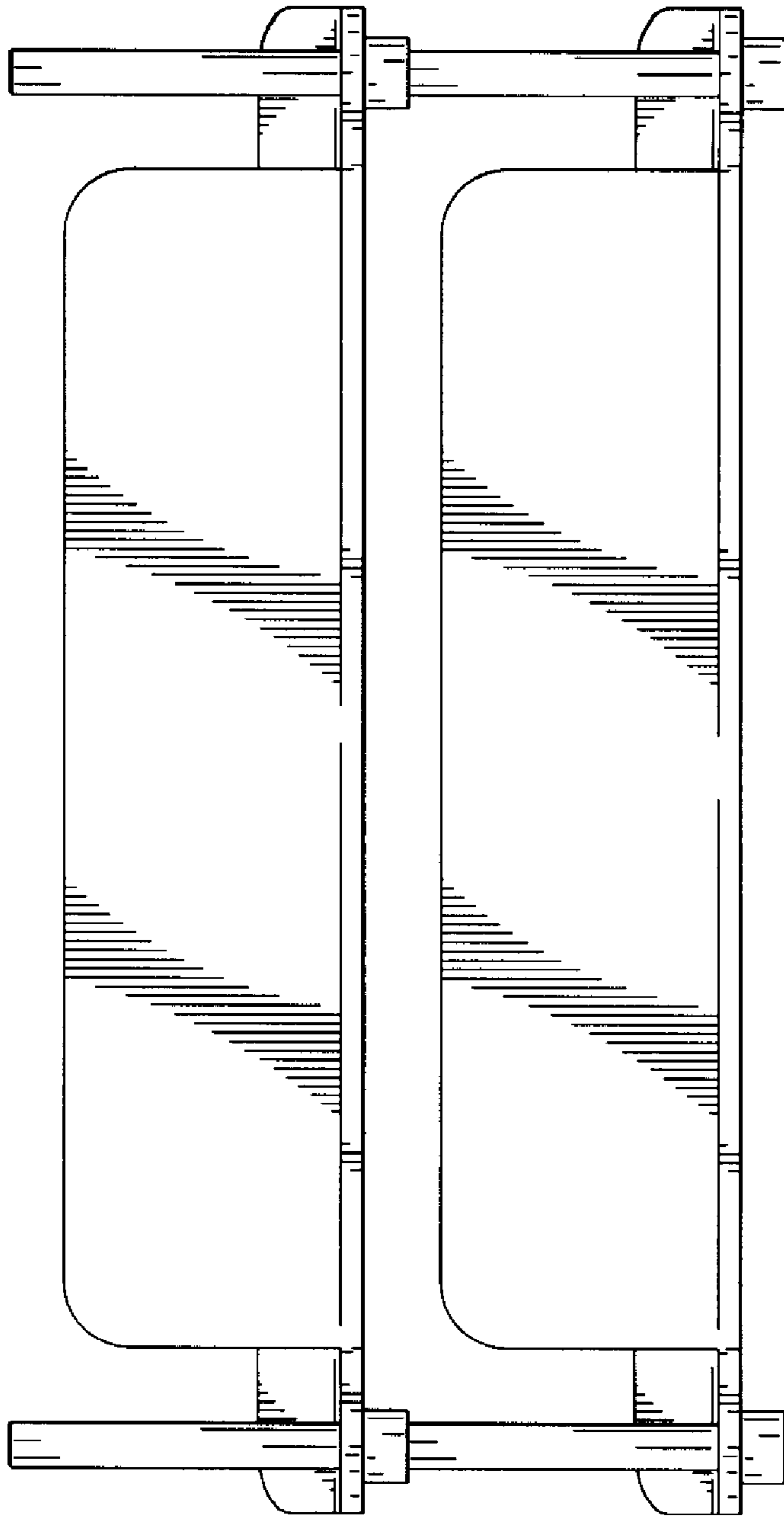


FIG. 3

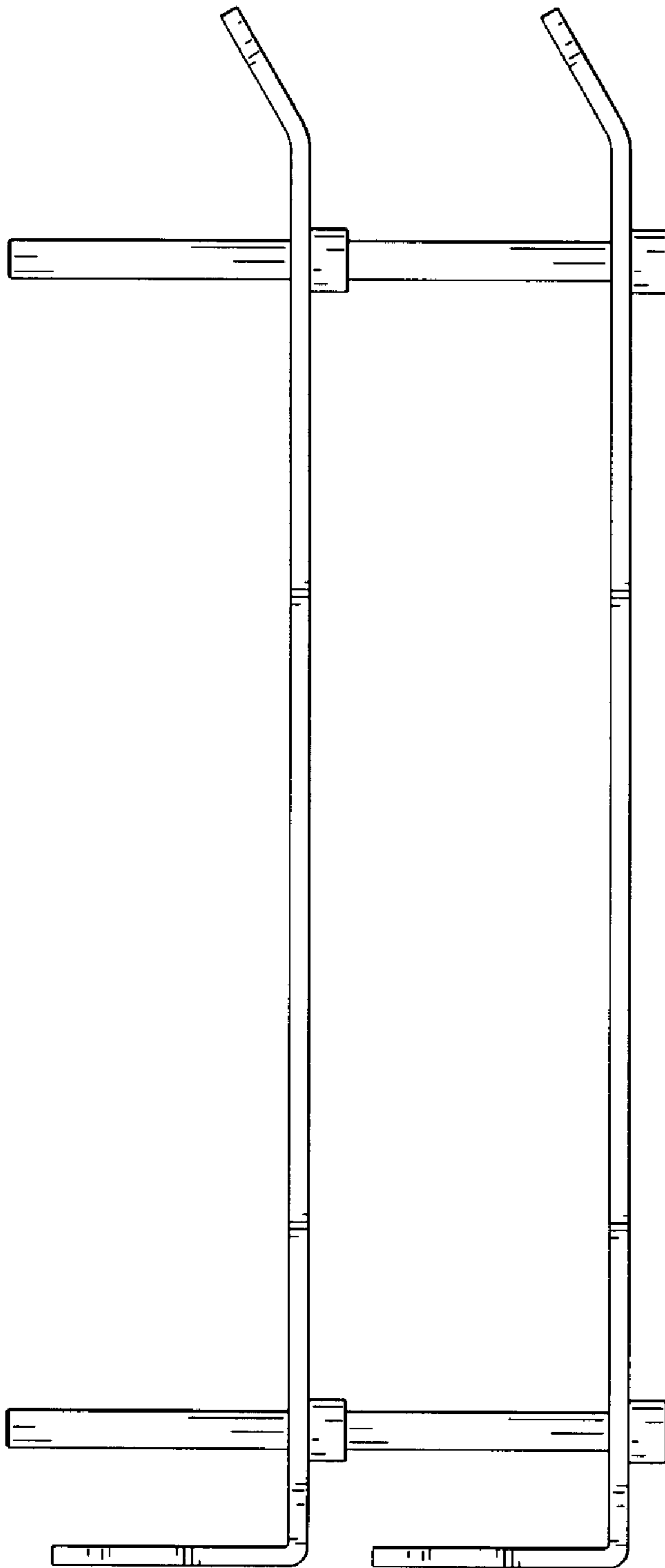


FIG. 4

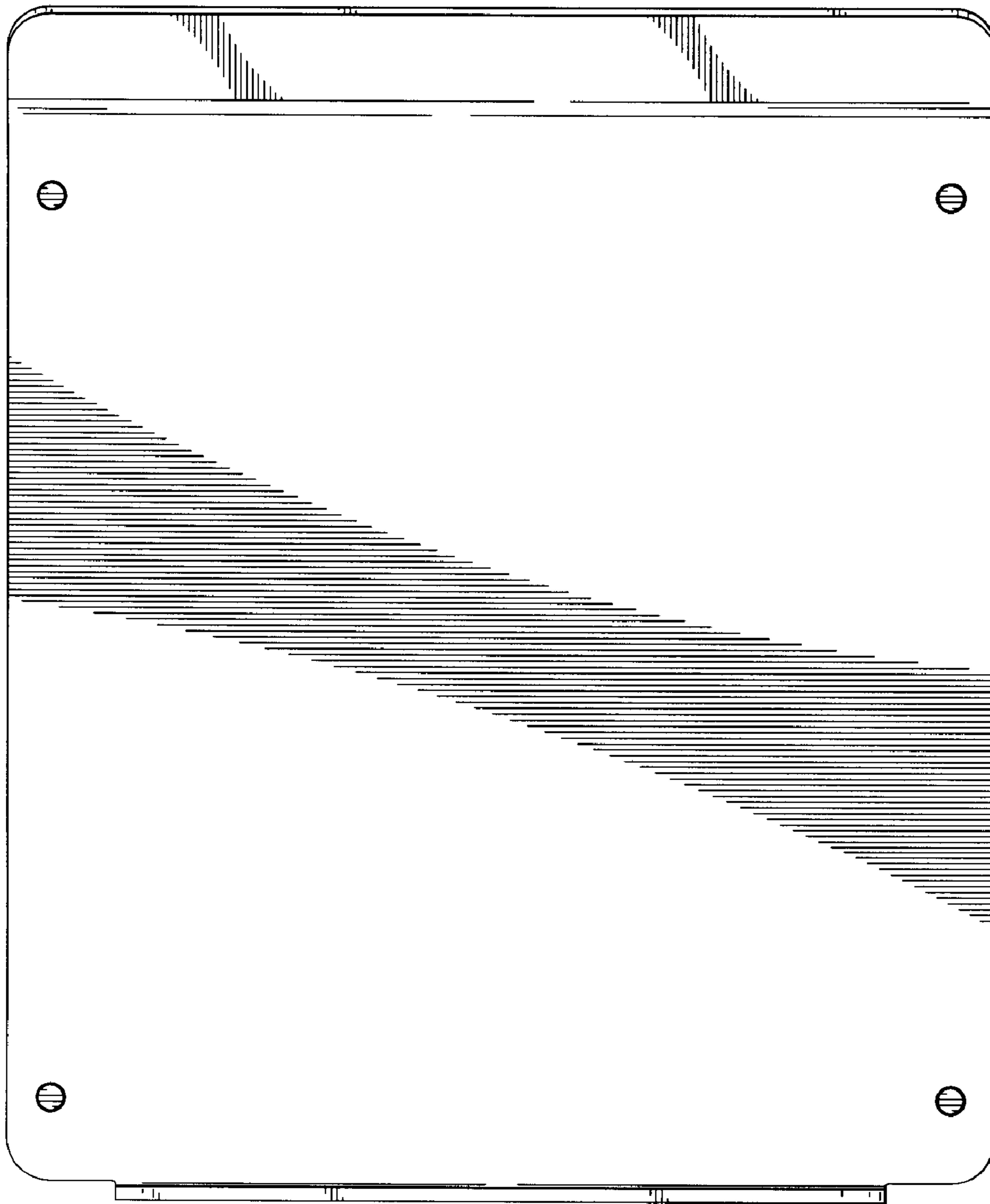


FIG. 5

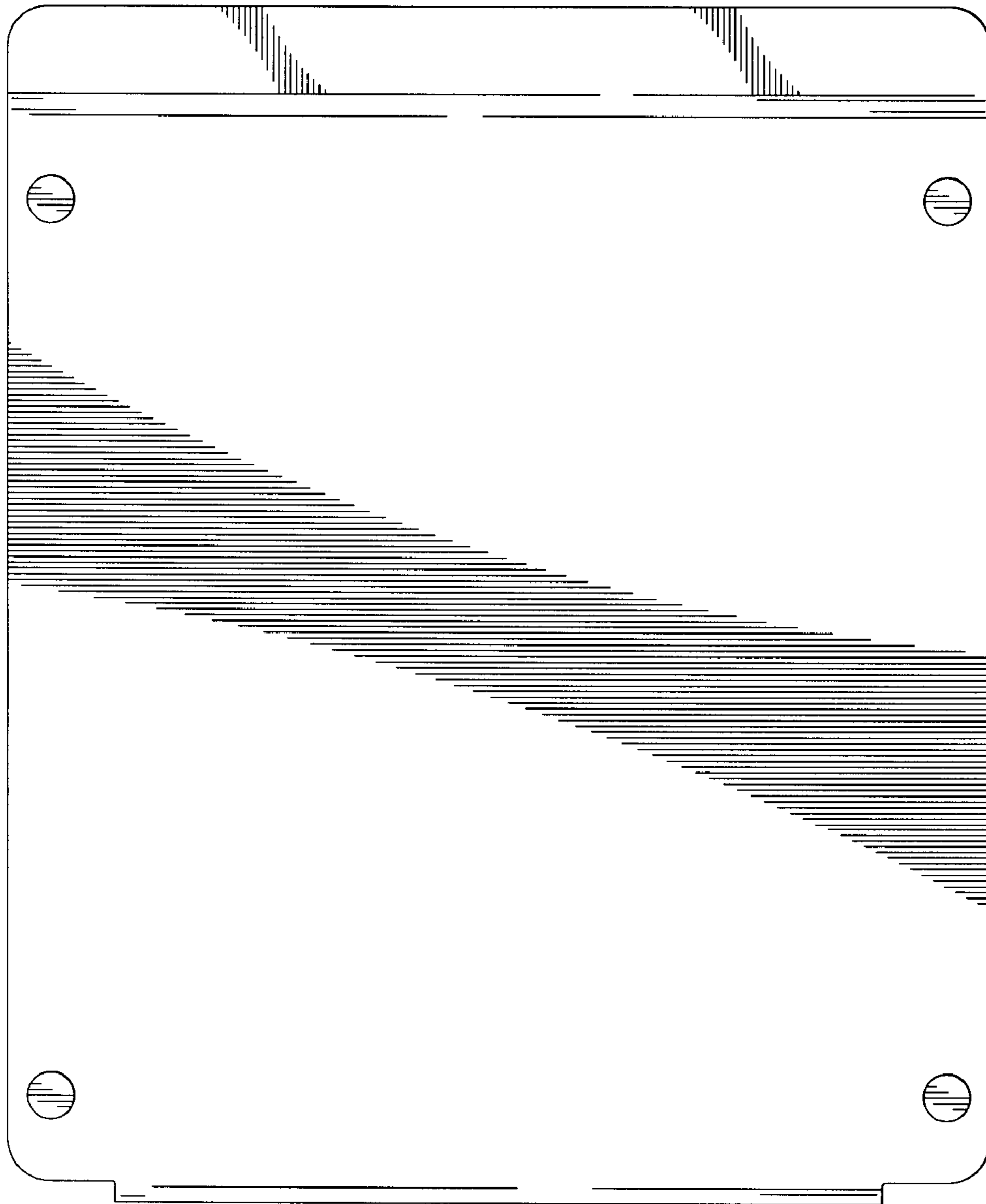


FIG. 6