

US00D544036S

(12) **United States Design Patent**
Bonaventura

(10) **Patent No.:** **US D544,036 S**

(45) **Date of Patent:** **** Jun. 5, 2007**

(54) **PLANNER STAND**

6,283,432 B1 * 9/2001 Hoose, Jr. 248/441.1
6,435,466 B1 * 8/2002 Adams 248/455

(75) Inventor: **Gina Bonaventura**, Indianapolis, IN
(US)

* cited by examiner

(73) Assignee: **Deflecto Corporation**, Indianapolis, IN
(US)

Primary Examiner—Elizabeth A. Albert
(74) *Attorney, Agent, or Firm*—Sonnenschein Nath &
Rosenthal LLP; Brian R. McGinley

(**) Term: **14 Years**

(57) **CLAIM**

(21) Appl. No.: **29/247,600**

The ornamental design for a planner stand, as shown and described.

(22) Filed: **Jun. 28, 2006**

(51) **LOC (8) Cl.** **19-02**

(52) **U.S. Cl.** **D19/91**

(58) **Field of Classification Search** D6/310,
D6/313, 419; D19/75, 77, 78, 83, 85, 86,
D19/90, 91, 92; 40/341, 349; 211/42; 248/441.1,
248/460; 281/45

See application file for complete search history.

DESCRIPTION

FIG. 1 is a perspective view of a planner stand showing the new design;

FIG. 2 is a front view of the planner stand shown in FIG. 1; FIG. 3 is a left side elevational view of the planner stand shown in FIG. 1 (the right side elevational view of the planner stand is a mirror image of the view shown in FIG. 3);

FIG. 4 is a rear view of the planner stand shown in FIG. 1;

FIG. 5 is a top view of the planner stand shown in FIG. 1; and,

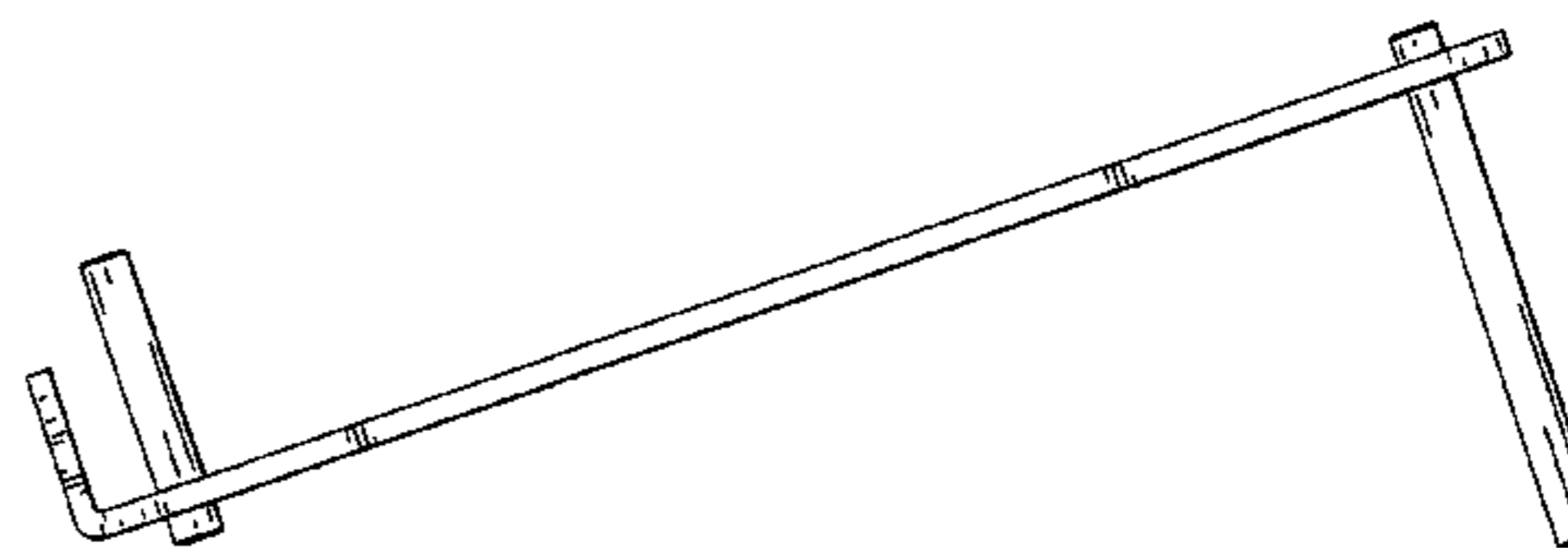
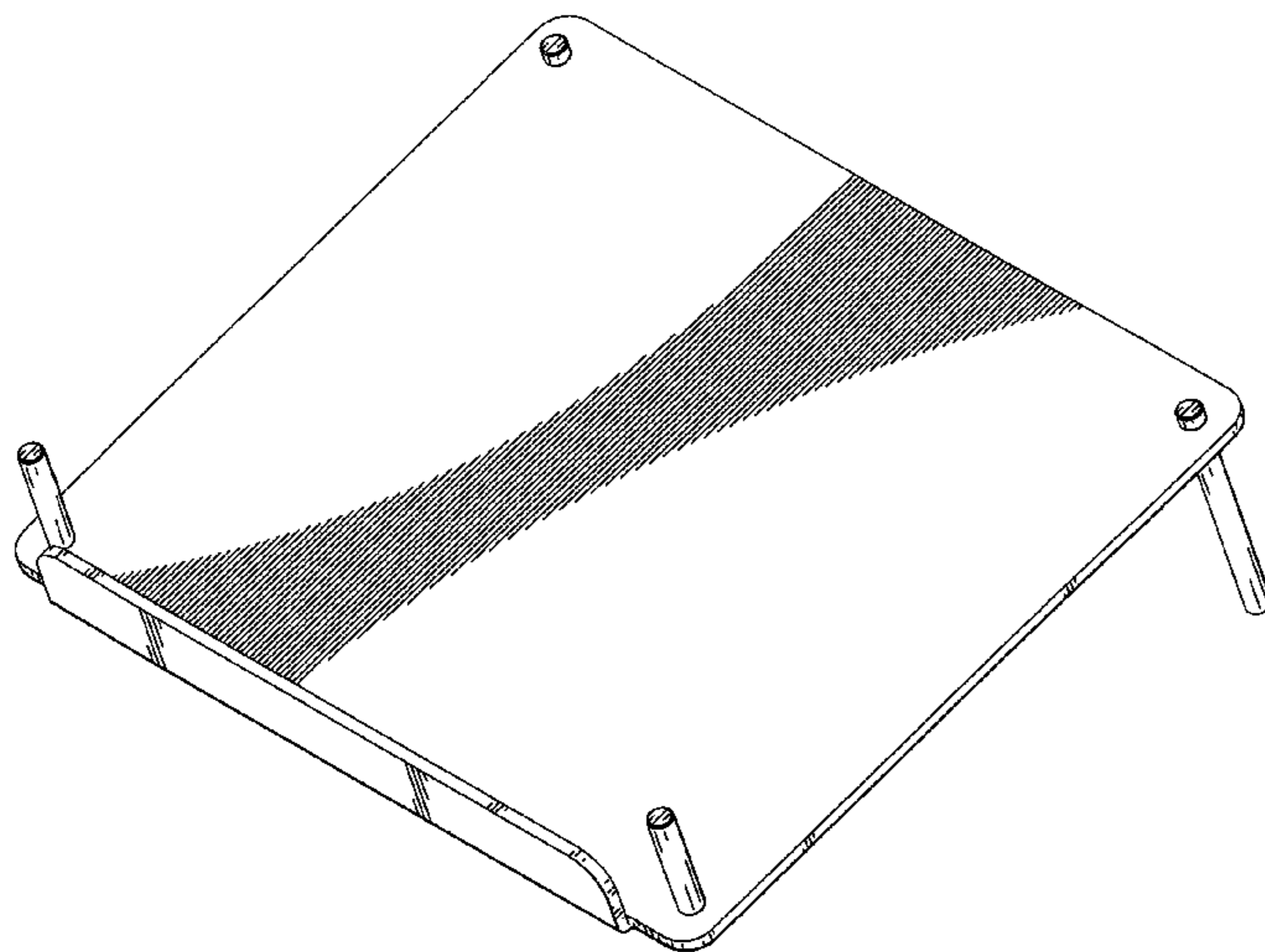
FIG. 6 is a bottom view of the planner stand shown in FIG. 1.

(56) **References Cited**

U.S. PATENT DOCUMENTS

D118,484 S *	1/1940	Salomon	D6/420
3,332,399 A *	7/1967	Patrick et al.	248/441.1
5,104,086 A *	4/1992	Ramey et al.	248/442.2
D329,762 S *	9/1992	Weeks	D6/419
D358,611 S *	5/1995	Dainoff et al.	D19/88
5,651,524 A *	7/1997	Calfee	248/442.2
D437,600 S *	2/2001	Calfee	D14/447

1 Claim, 6 Drawing Sheets



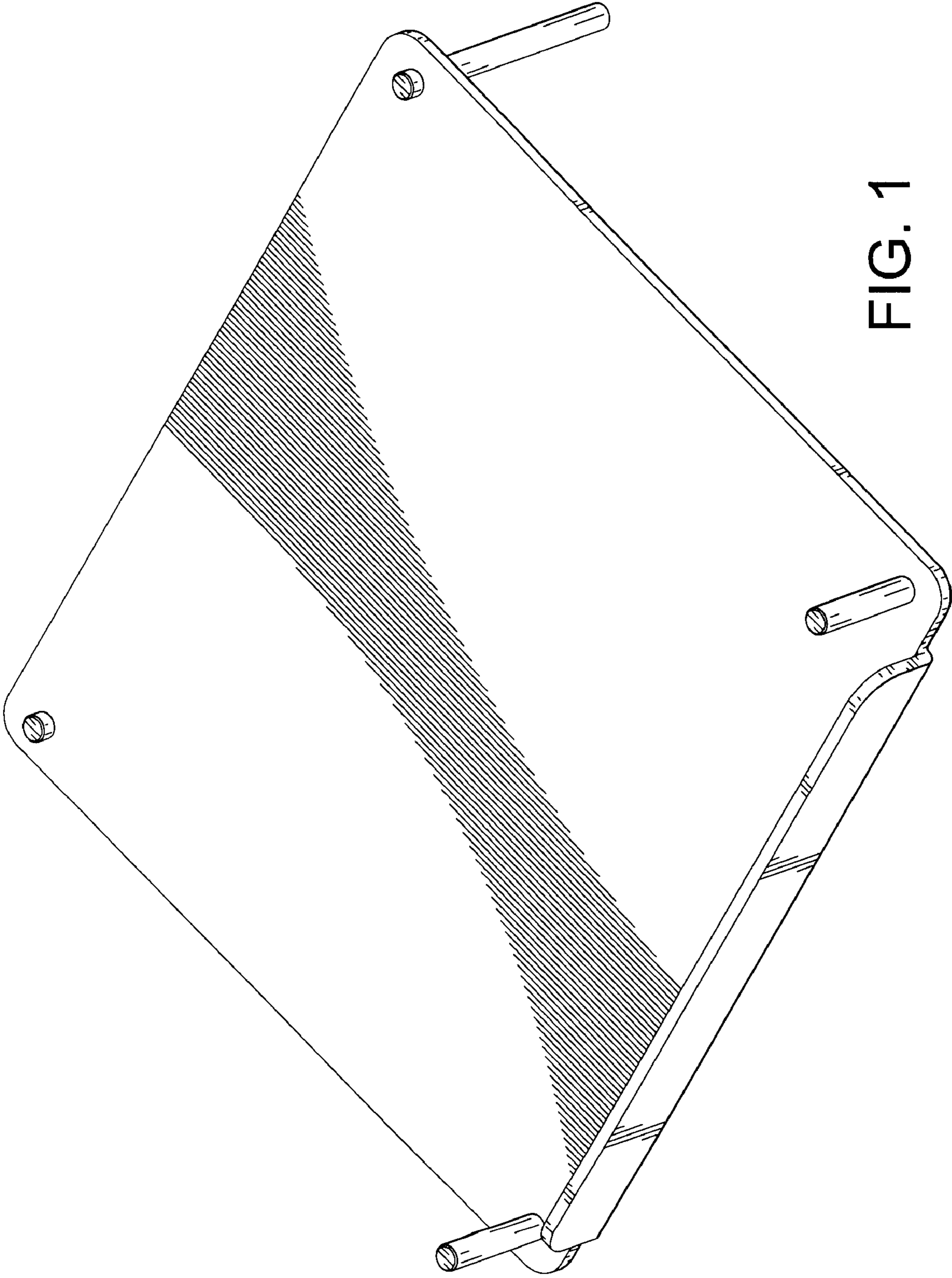


FIG. 1

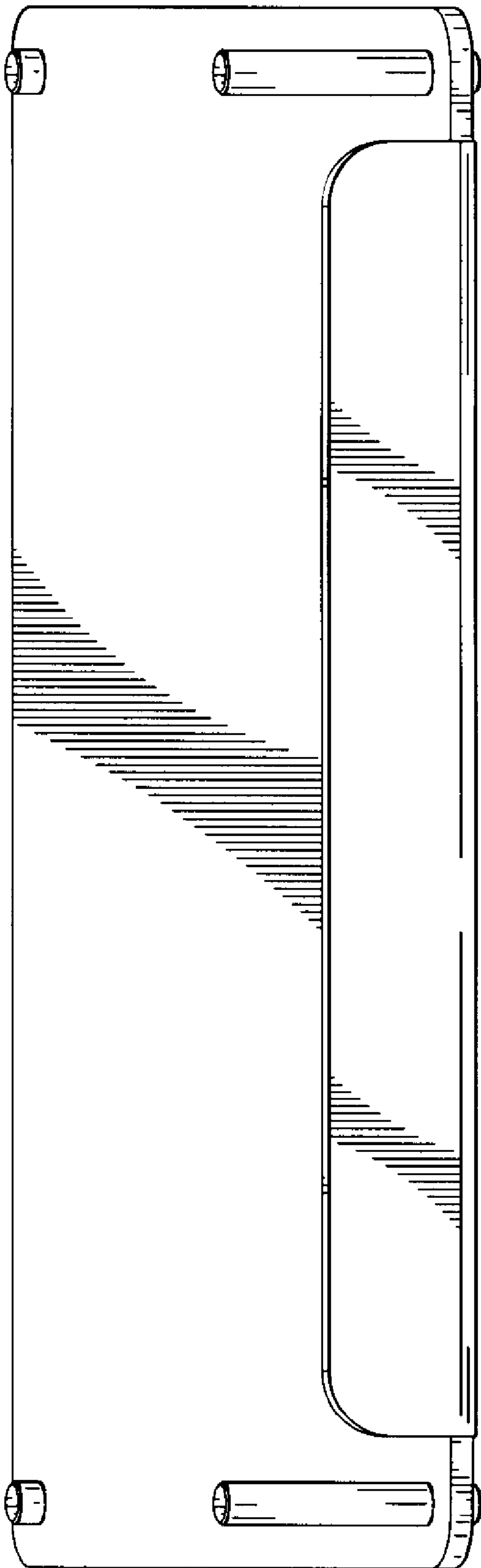


FIG. 2

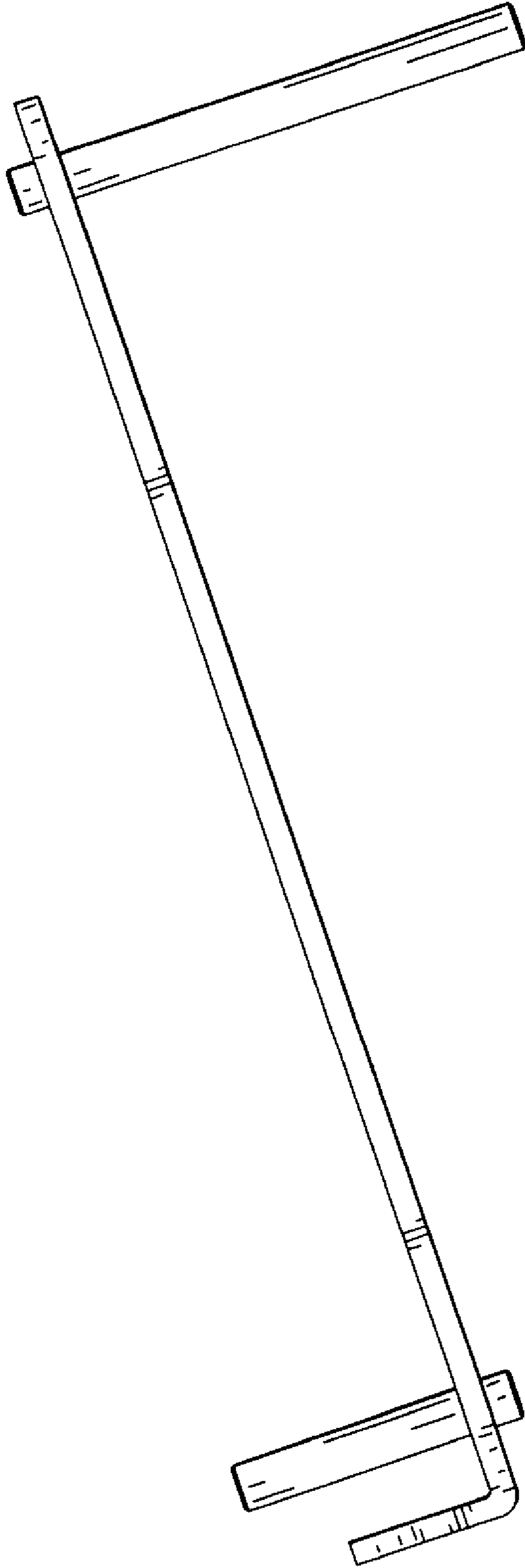


FIG. 3

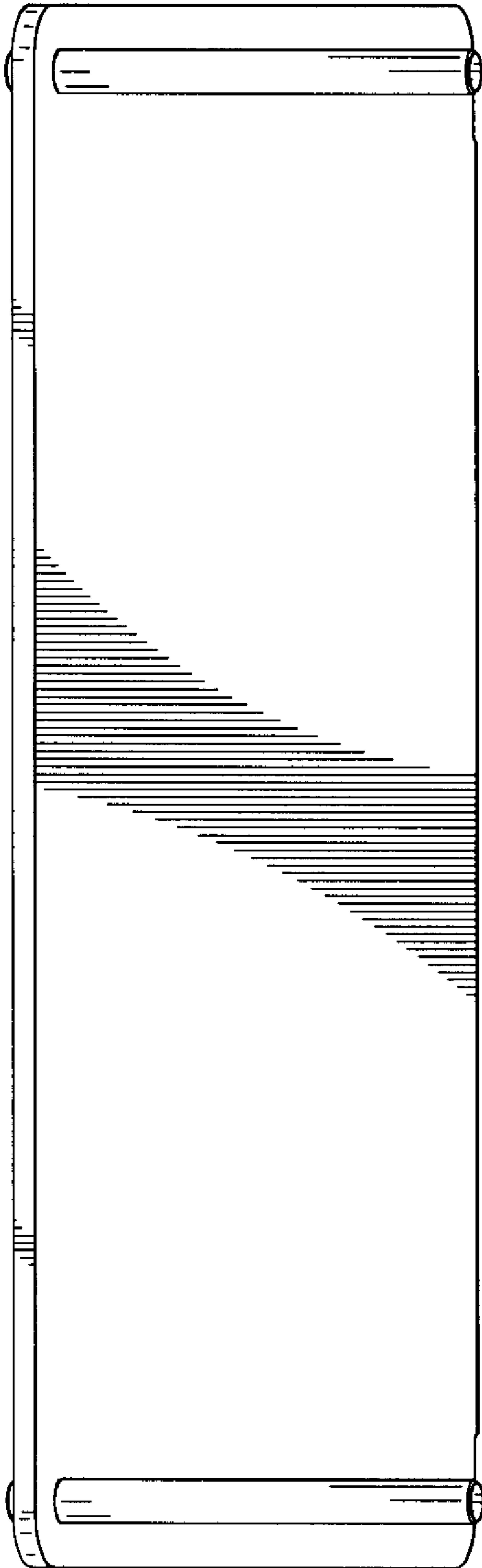


FIG. 4

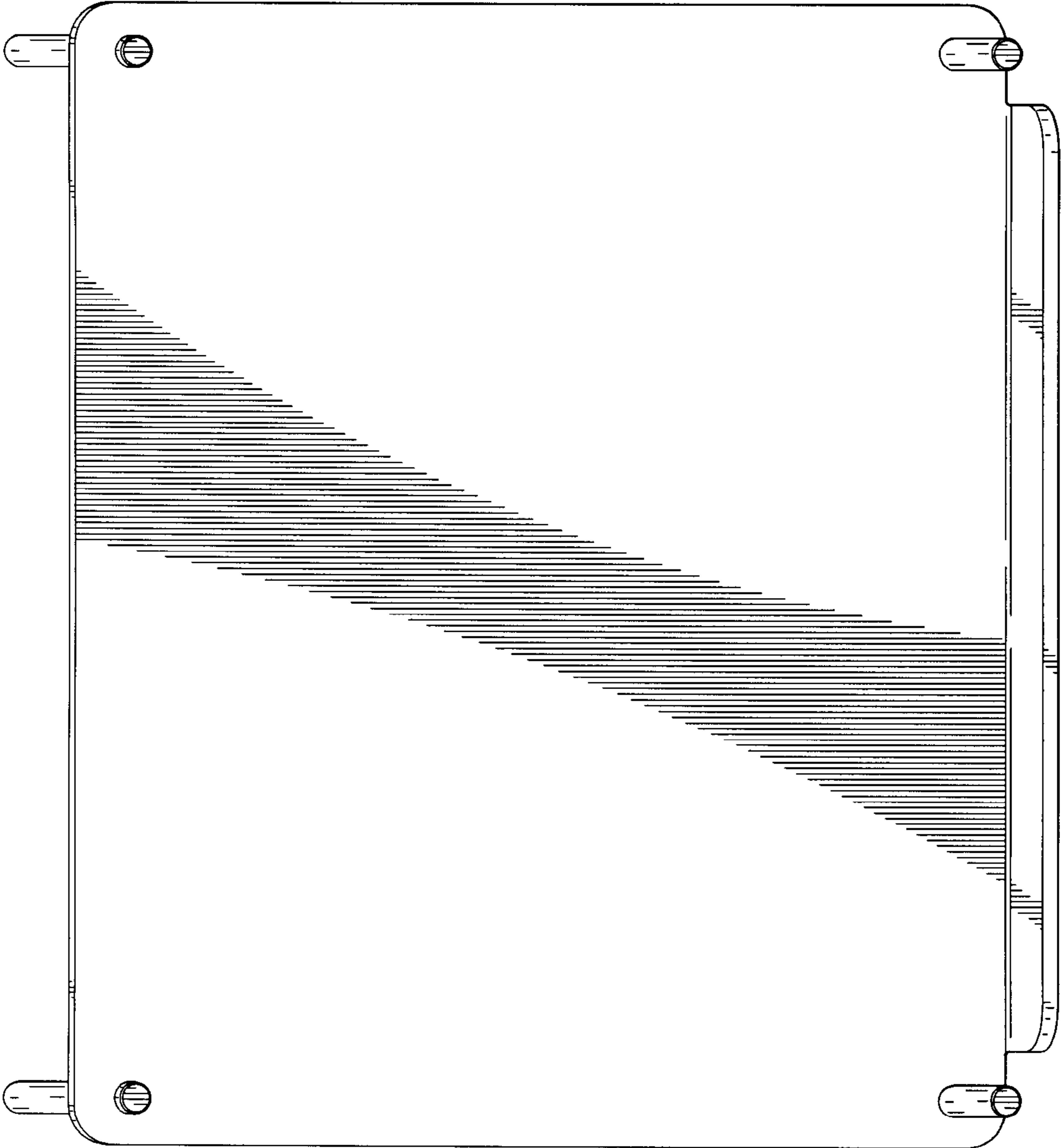


FIG. 5

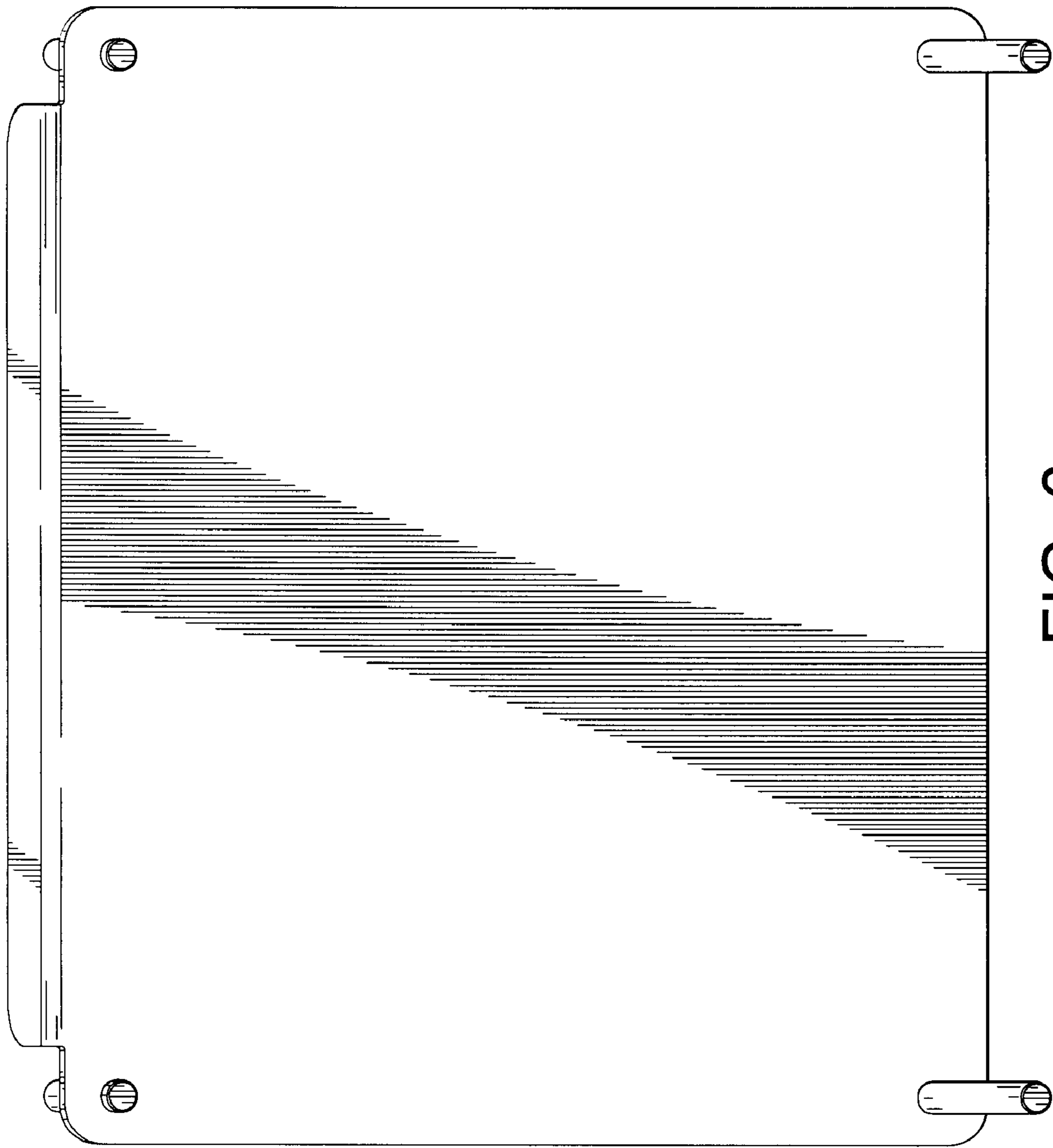


FIG. 6