



US00D544035S

(12) **United States Design Patent**
Snyder et al.

(10) **Patent No.:** **US D544,035 S**
(45) **Date of Patent:** **** Jun. 5, 2007**

(54) **WRITING INSTRUMENT HOLDER AND HAND SUPPORT**

(75) Inventors: **Darryl L. Snyder**, Canton, OH (US);
Patrick M. Nolan, Canton, OH (US);
John C. Smith, Massillon, OH (US)

(73) Assignee: **Snyder National Corporation**, Canton, OH (US)

(**) Term: **14 Years**

(21) Appl. No.: **29/228,844**

(22) Filed: **Apr. 29, 2005**

(51) **LOC (8) Cl.** **19-06**

(52) **U.S. Cl.** **D19/54; D19/84**

(58) **Field of Classification Search** D19/35,
D19/36, 54, 75, 77, 81-85; 24/11 R, 11 CC,
24/11 CT, 11 F, 11 P; 211/69.1-69.9; 248/118.5;
401/6, 48, 52, 88, 131

See application file for complete search history.

(56) **References Cited**

U.S. PATENT DOCUMENTS

150,633 A	5/1874	Tinney	
926,427 A	6/1909	Lacy	
3,250,255 A	5/1966	Cruickshank	
3,373,509 A	3/1968	Brass	
3,866,749 A *	2/1975	Stainer	206/234
3,972,628 A	8/1976	Stevens	
4,095,906 A	6/1978	Sackett	
4,111,566 A	9/1978	Kenwell	
4,313,585 A *	2/1982	Bricker	248/118.5

D299,150 S *	12/1988	Birch	D19/85
4,917,517 A	4/1990	Ertz	
D309,157 S	7/1990	Ertz	
4,957,442 A	9/1990	Prater	
5,037,224 A	8/1991	Wright	
D352,962 S *	11/1994	Zier	D19/82
5,383,737 A	1/1995	Urion	
D387,092 S *	12/1997	Elkins	D19/78
5,772,345 A *	6/1998	Simonds	401/48
5,951,183 A	9/1999	Landis	
D479,477 S *	9/2003	Pereczon	D10/74
6,854,913 B2 *	2/2005	Farrell et al.	401/195
6,857,805 B2 *	2/2005	Galehr et al.	401/125

* cited by examiner

Primary Examiner—Elizabeth A. Albert

(74) *Attorney, Agent, or Firm*—Zollinger & Burleson Ltd

(57) **CLAIM**

The ornamental design for a writing instrument holder and hand support, as shown and described.

DESCRIPTION

FIG. 1 is a perspective view of the writing instrument holder and hand support showing our new design.

FIG. 2 is a right side elevation view of FIG. 1.

FIG. 3 is a front elevation view of FIG. 1.

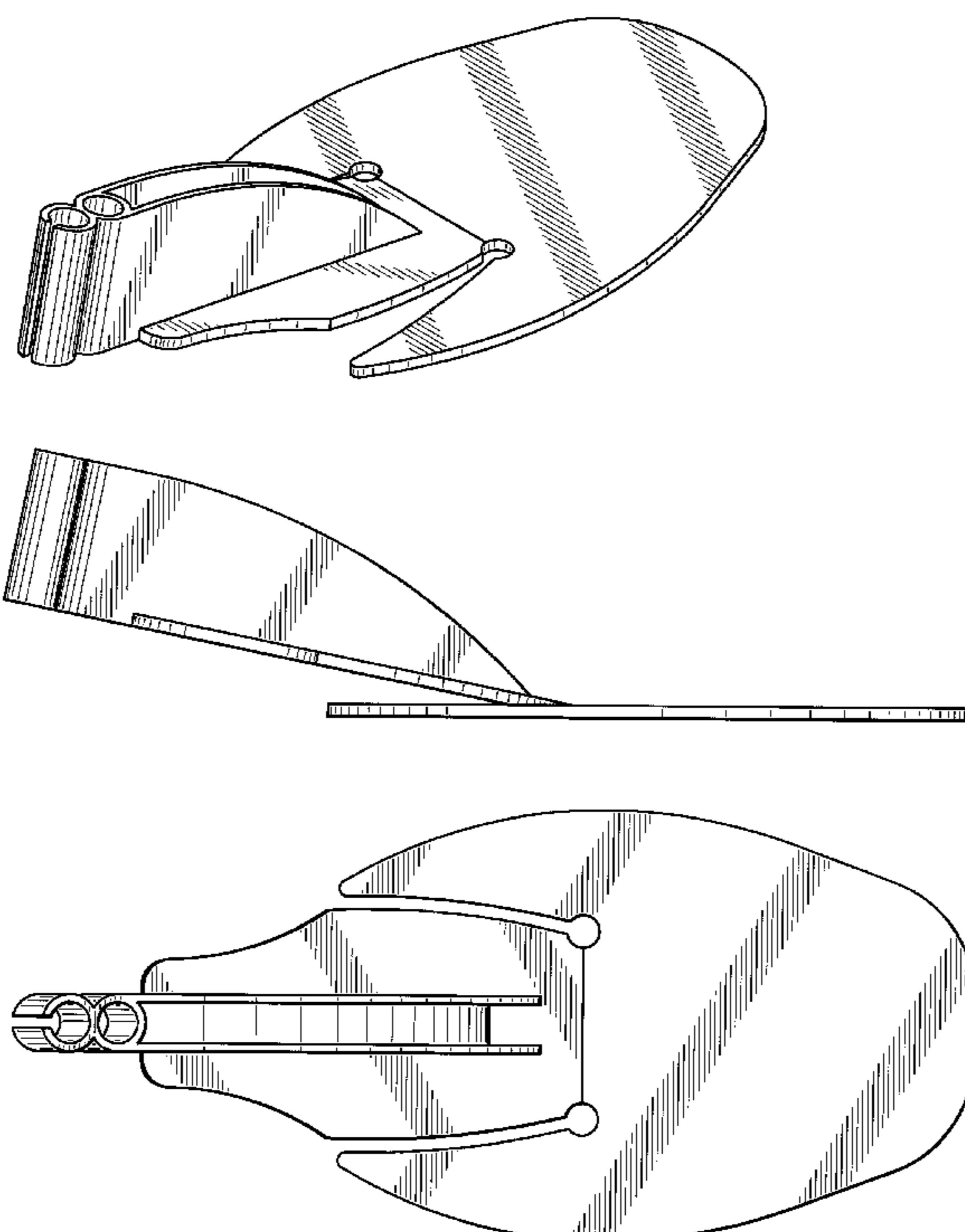
FIG. 4 is a rear elevation view of FIG. 1.

FIG. 5 is a top plan view of FIG. 1.

FIG. 6 is a bottom plan view of FIG. 1; and,

FIG. 7 is a left side elevation view of FIG. 1.

1 Claim, 6 Drawing Sheets



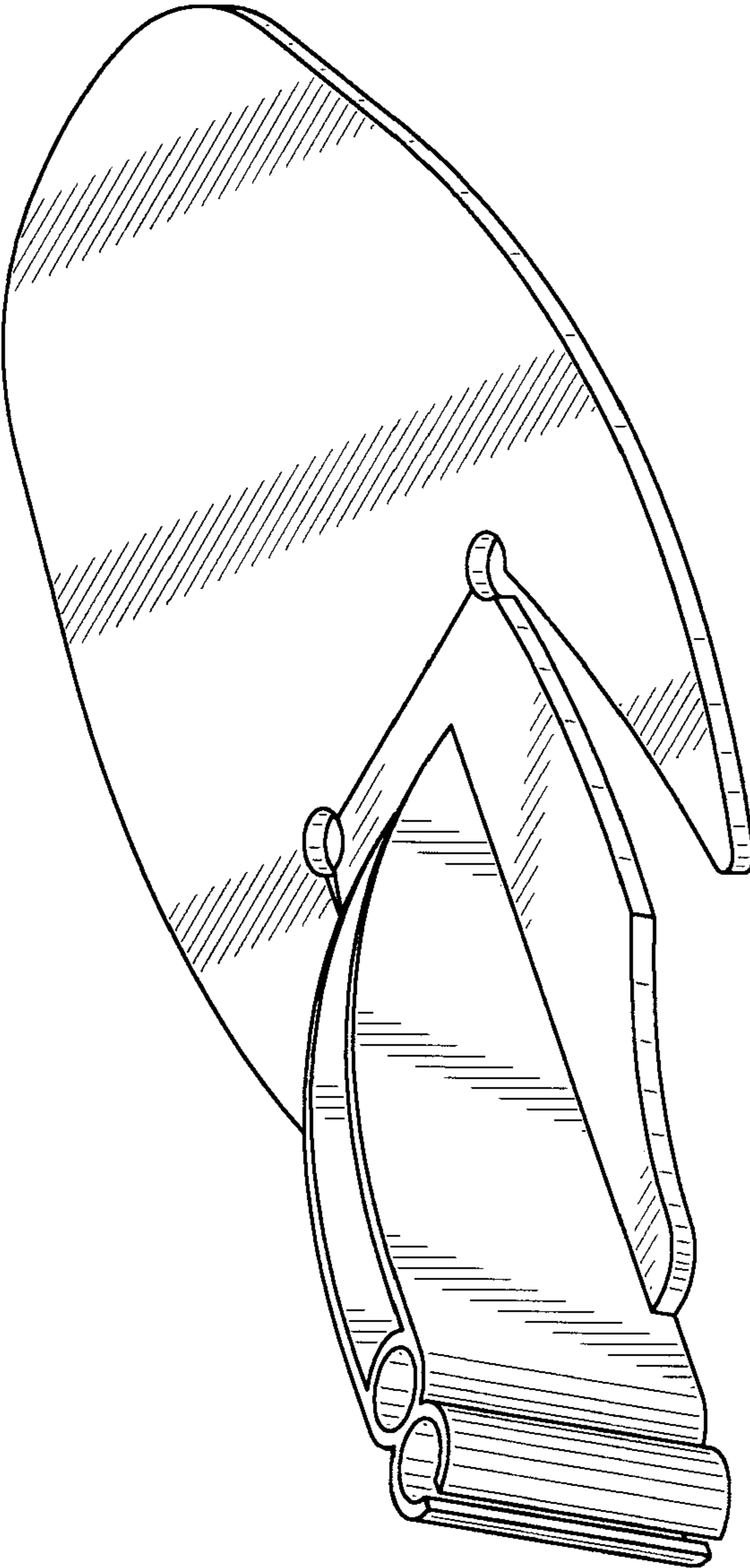


FIG. 1

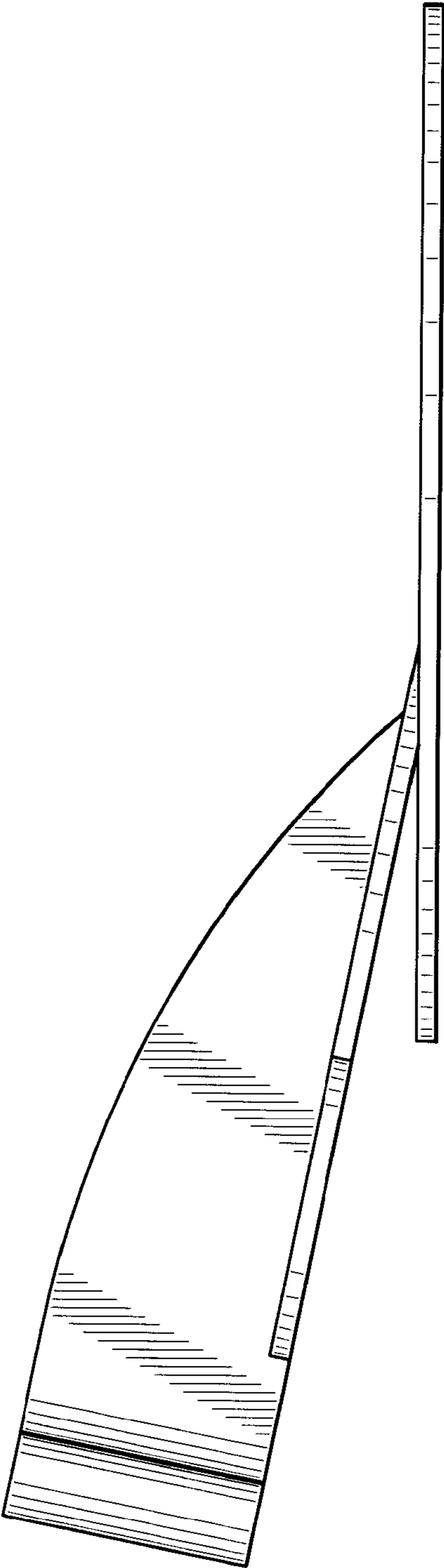


FIG. 2

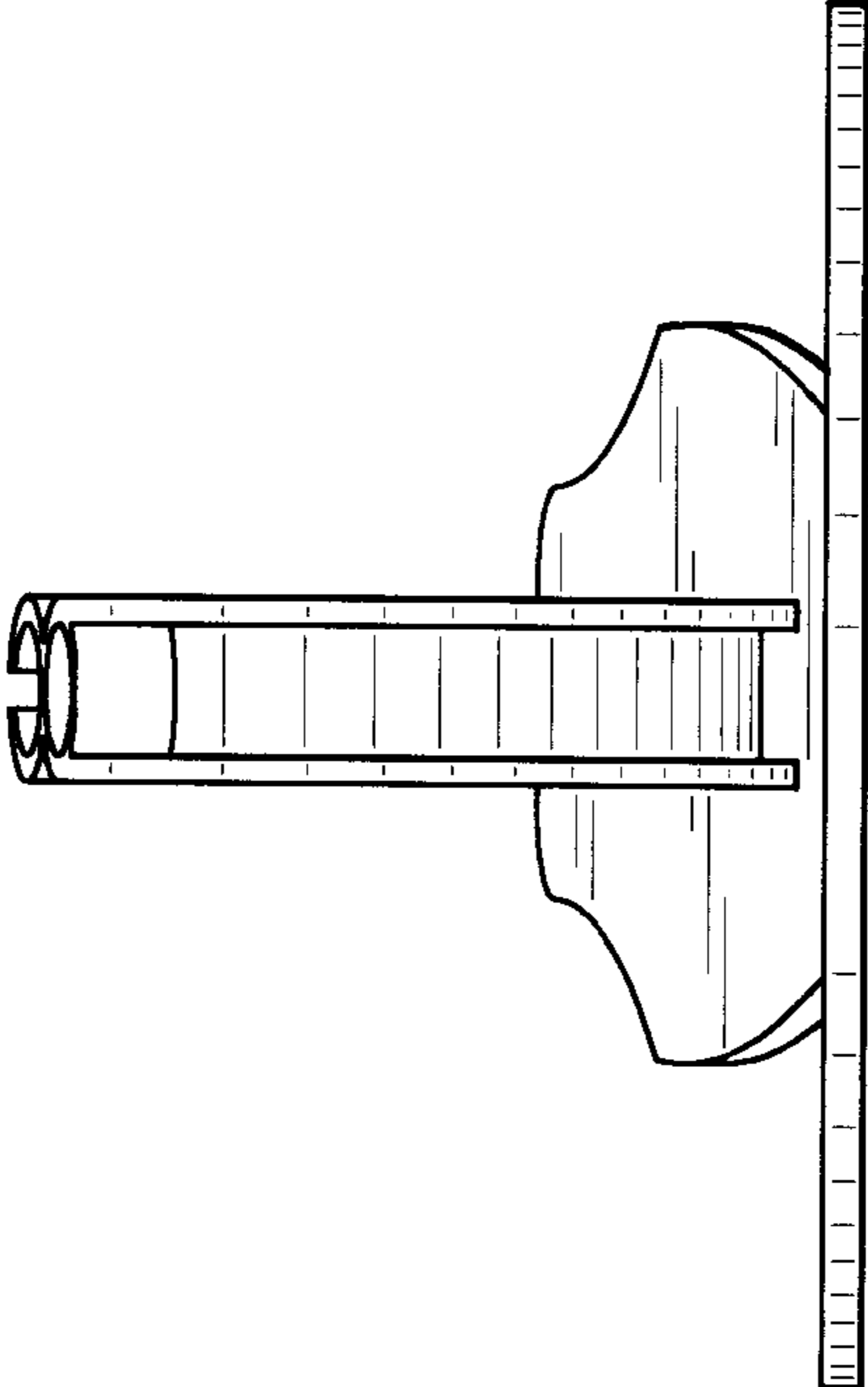


FIG. 4

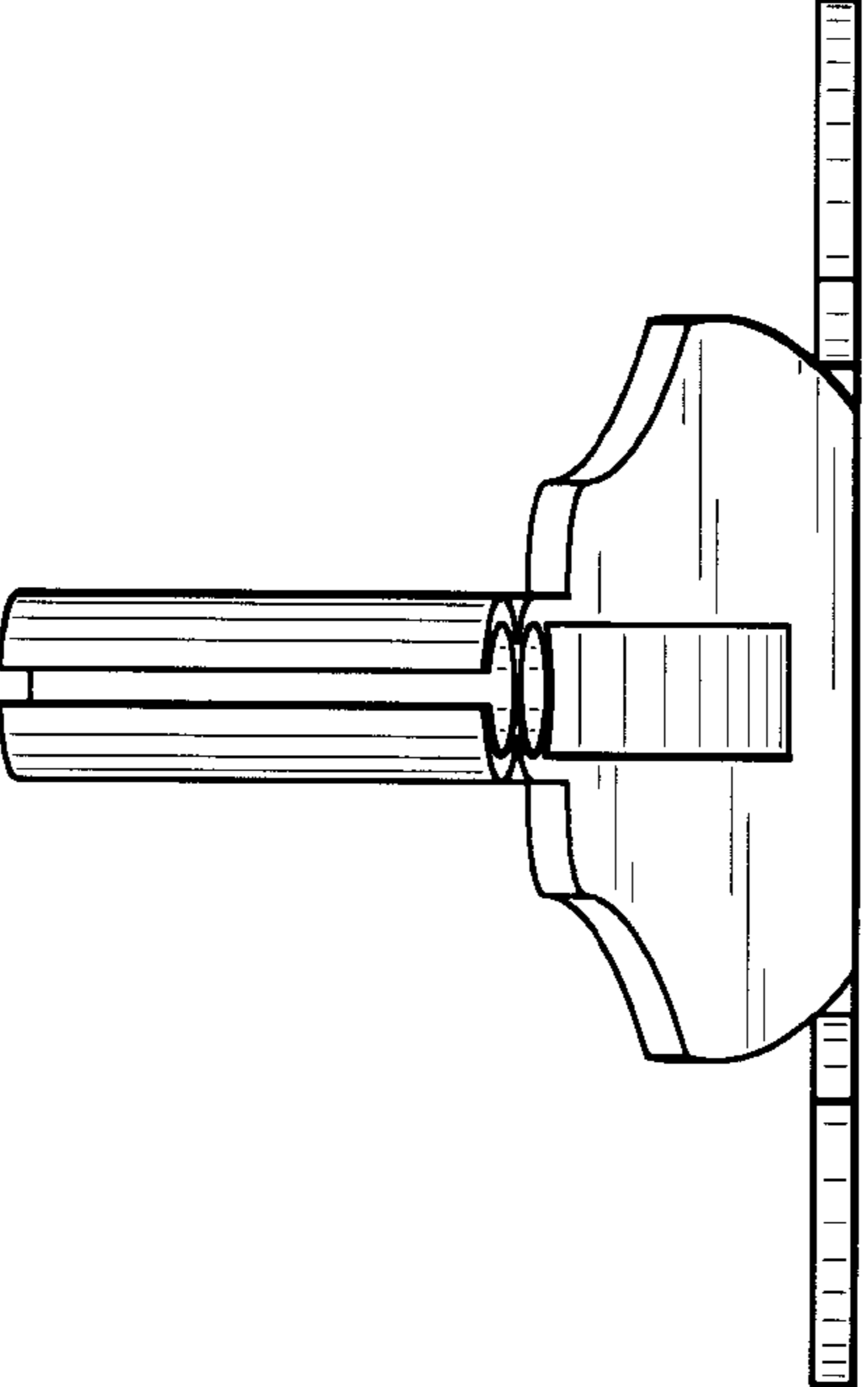


FIG. 3

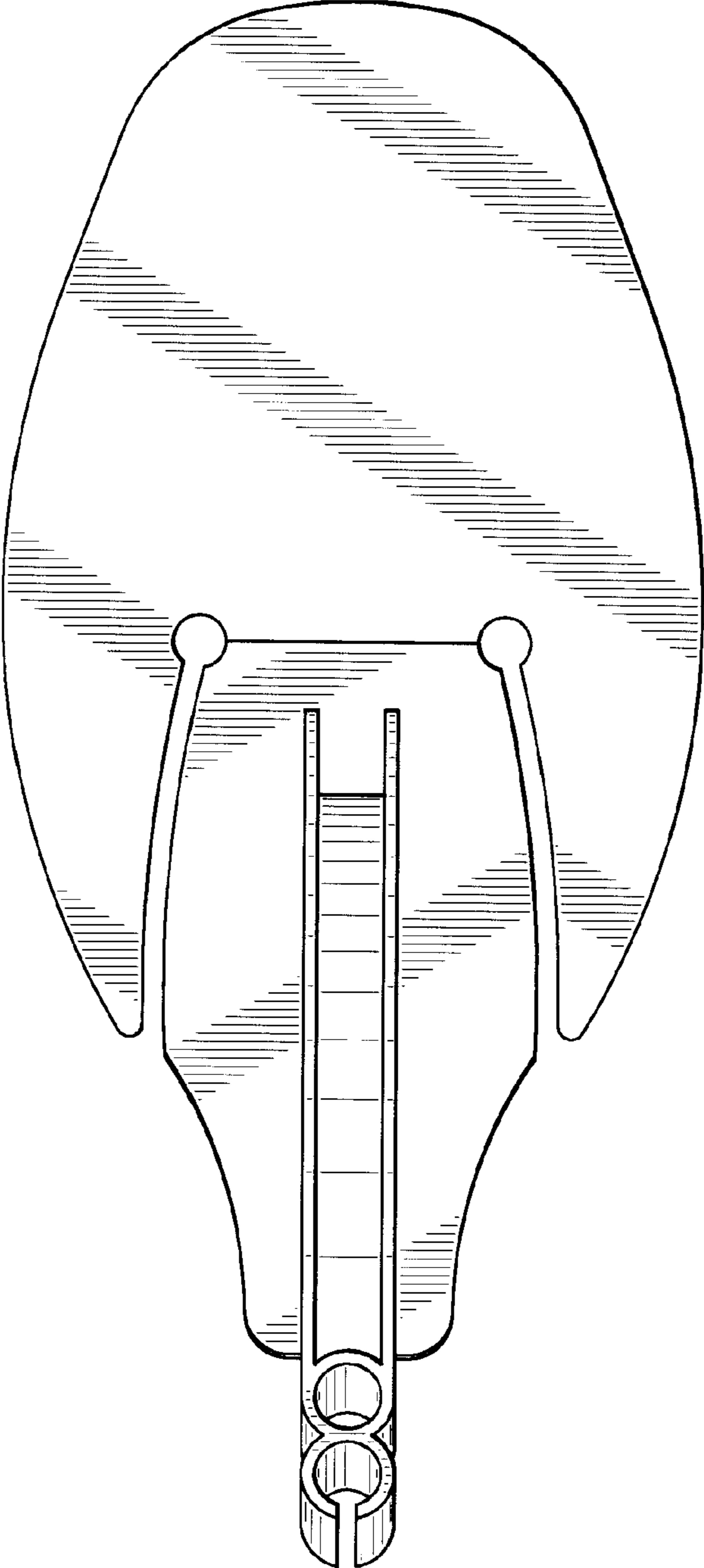


FIG. 5

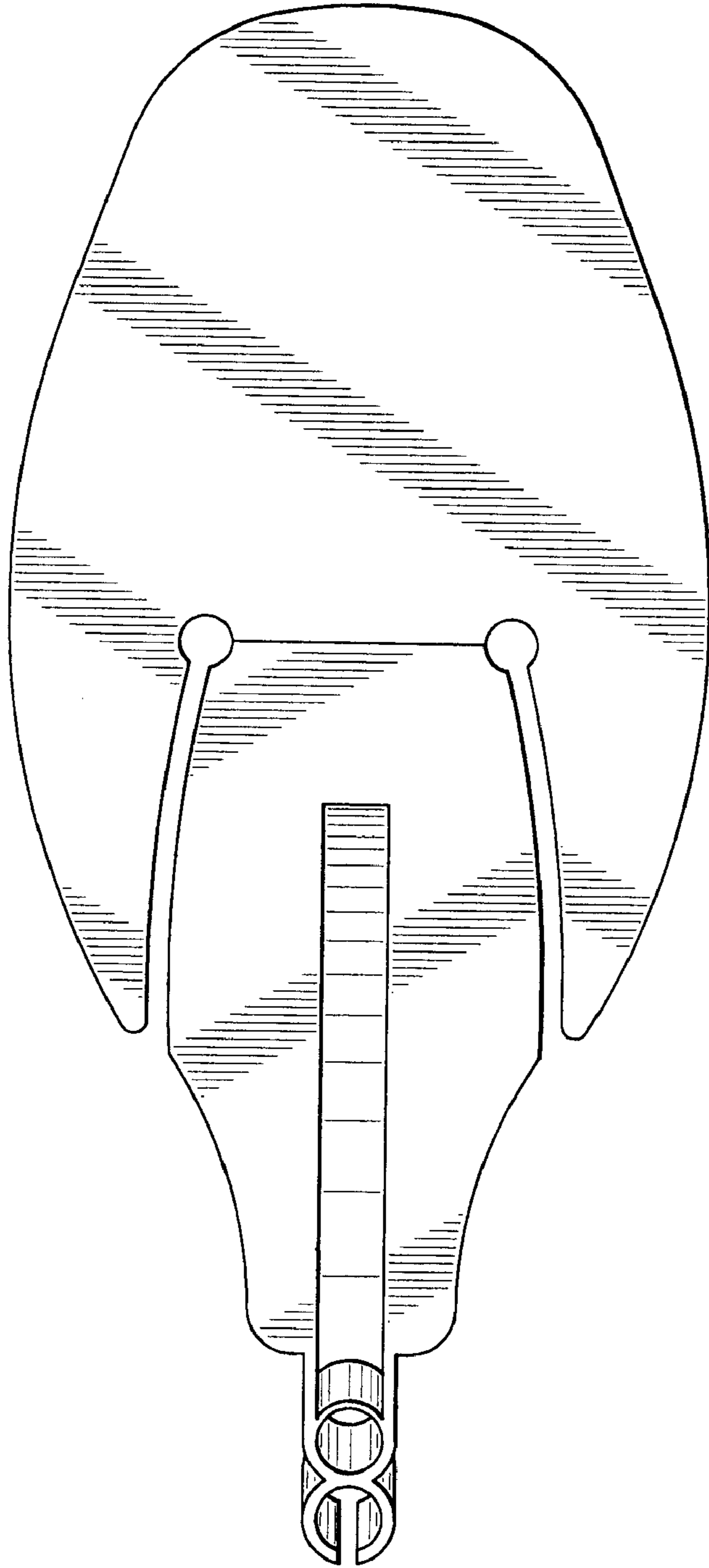


FIG. 6

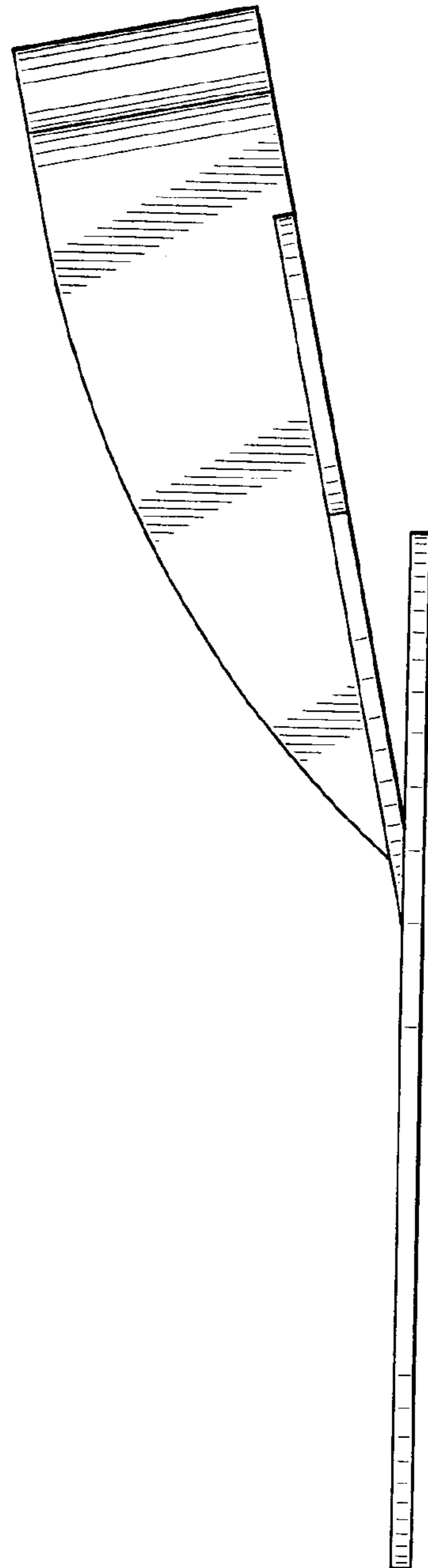


FIG. 7