

US00D544033S

(12) **United States Design Patent**
Chen

(10) **Patent No.:** **US D544,033 S**

(45) **Date of Patent:** **** Jun. 5, 2007**

(54) **RING BINDER SPINE**

2003/0026643 A1* 2/2003 To 402/60
2003/0044221 A1* 3/2003 To et al. 402/41

(76) Inventor: **Hui-Chu Chen**, No. 376-2, Daye Rd.,
Nantun District, Taichung City (TW)

* cited by examiner

(**) Term: **14 Years**

Primary Examiner—Cathron C. Brooks

Assistant Examiner—Austin Murphy

(21) Appl. No.: **29/241,622**

(74) *Attorney, Agent, or Firm*—Egbert Law Offices

(22) Filed: **Oct. 31, 2005**

(57) **CLAIM**

(51) **LOC (8) Cl.** **19-03**

I claim the ornamental design for a ring binder spine, as shown and described.

(52) **U.S. Cl.** **D19/32**

(58) **Field of Classification Search** D19/32,
D19/27, 26; D22/107; 40/27, 28, 48, 55;
281/49, 48, 47; 403/3, 56

DESCRIPTION

See application file for complete search history.

FIG. 1 is an upper perspective view of the ring binder spine showing my design.

(56) **References Cited**

FIG. 2 is a side view thereof;

U.S. PATENT DOCUMENTS

FIG. 3 is an opposite side view thereof;

| | | | | | |
|-----------|------|---------|----------------|-------|--------|
| 3,246,652 | A * | 4/1966 | Lang | | 402/37 |
| 3,262,454 | A * | 7/1966 | Shillinger | | 402/70 |
| 3,954,343 | A * | 5/1976 | Thomsen | | 402/41 |
| 3,995,961 | A * | 12/1976 | Dorfman et al. | | 402/38 |
| 4,693,624 | A * | 9/1987 | Moosmuller | | 402/22 |
| 5,106,222 | A * | 4/1992 | D'Amore | | 402/26 |
| D382,593 | S * | 8/1997 | To | | D19/32 |
| 5,879,097 | A * | 3/1999 | Cheng | | 402/26 |
| D460,109 | S * | 7/2002 | To | | D19/32 |
| 6,565,278 | B2 * | 5/2003 | Paine et al. | | 402/70 |
| 6,913,408 | B2 * | 7/2005 | Tsujino | | 402/70 |
| 7,077,595 | B2 * | 7/2006 | Knight | | 402/39 |
| D526,355 | S * | 8/2006 | Shimada et al. | | D19/32 |
| D530,368 | S * | 10/2006 | Shimada et al. | | D19/32 |

FIG. 4 is a front view thereof;

FIG. 5 is a back view thereof;

FIG. 6 is a top plan view thereof;

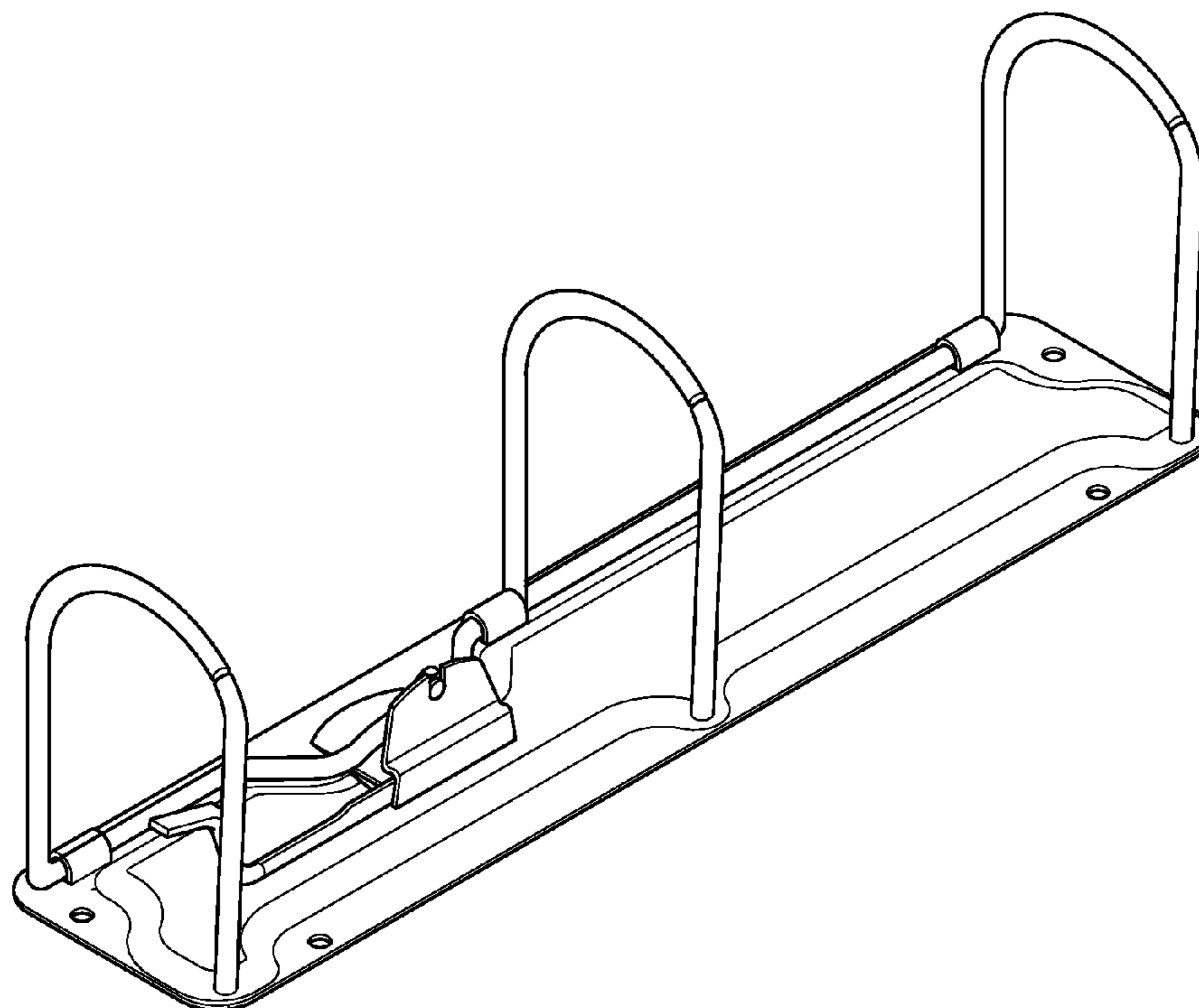
FIG. 7 is a bottom view thereof; and

FIG. 8 is another perspective view showing an open position thereof; and,

FIG. 9 is a perspective view thereof showing attachment to a binder piece in broken lines.

The broken lines are presented for illustrative purposes and form no part of the claimed design.

1 Claim, 6 Drawing Sheets



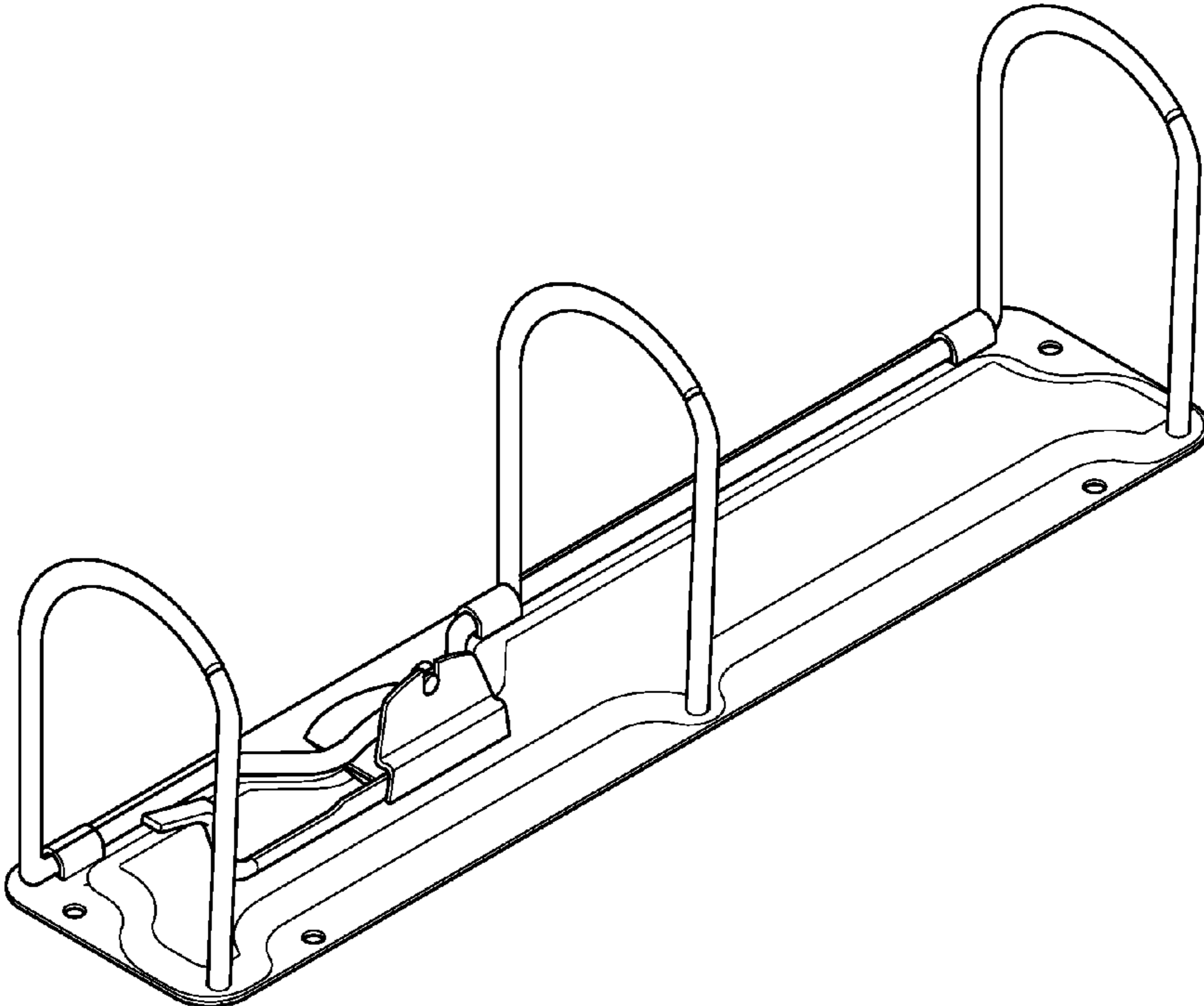


FIG.1

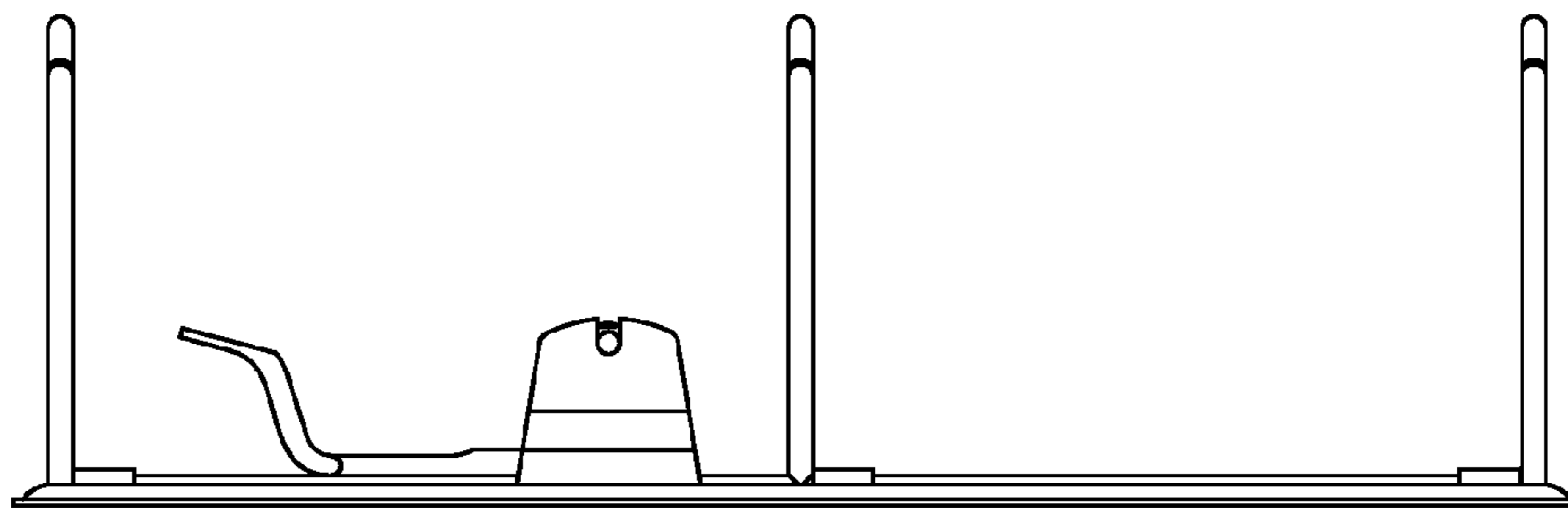


FIG. 2

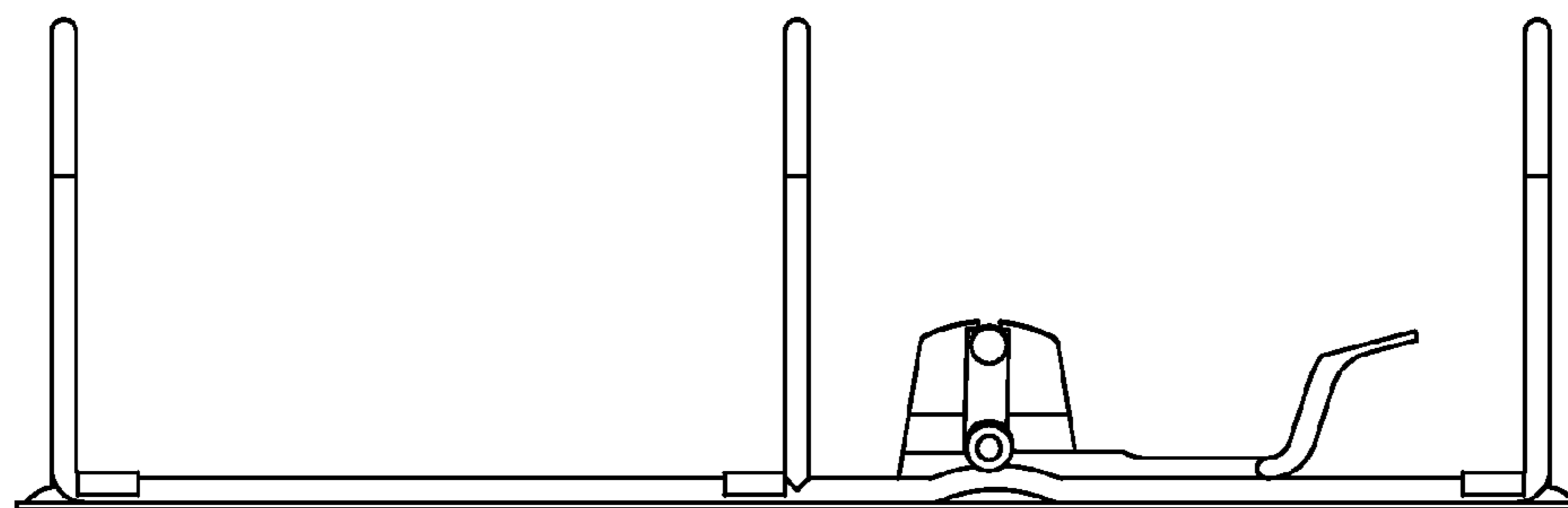


FIG. 3

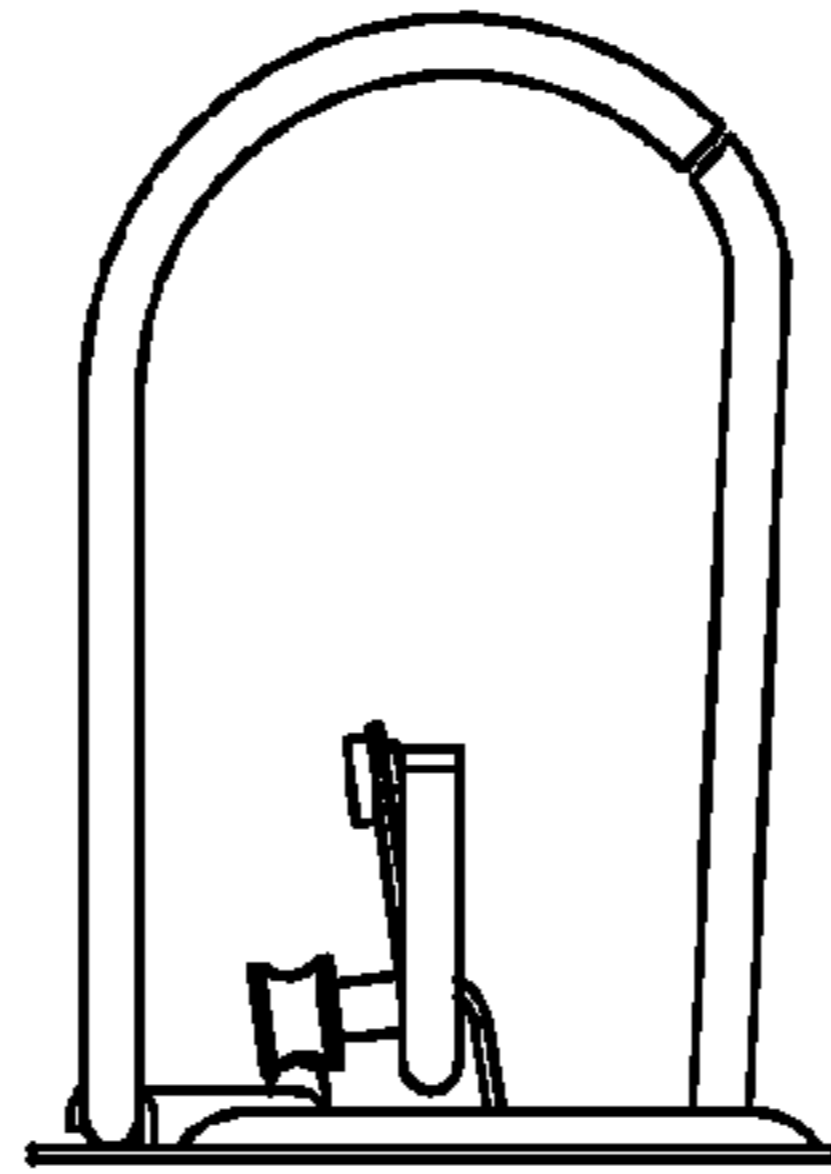


FIG. 4

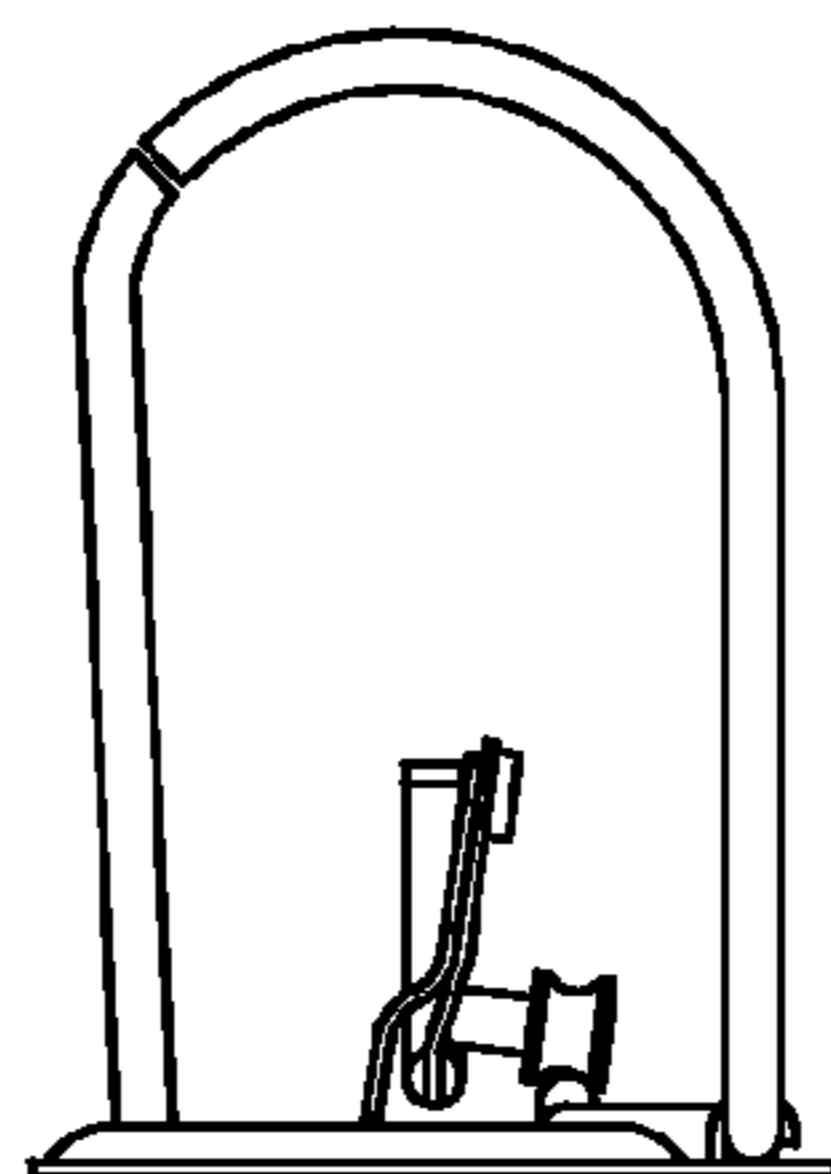


FIG. 5

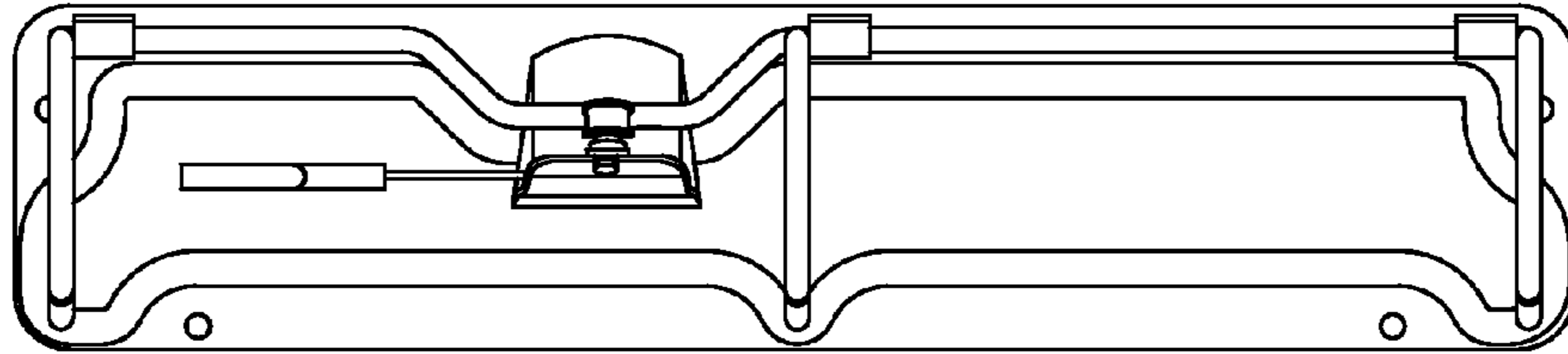


FIG. 6

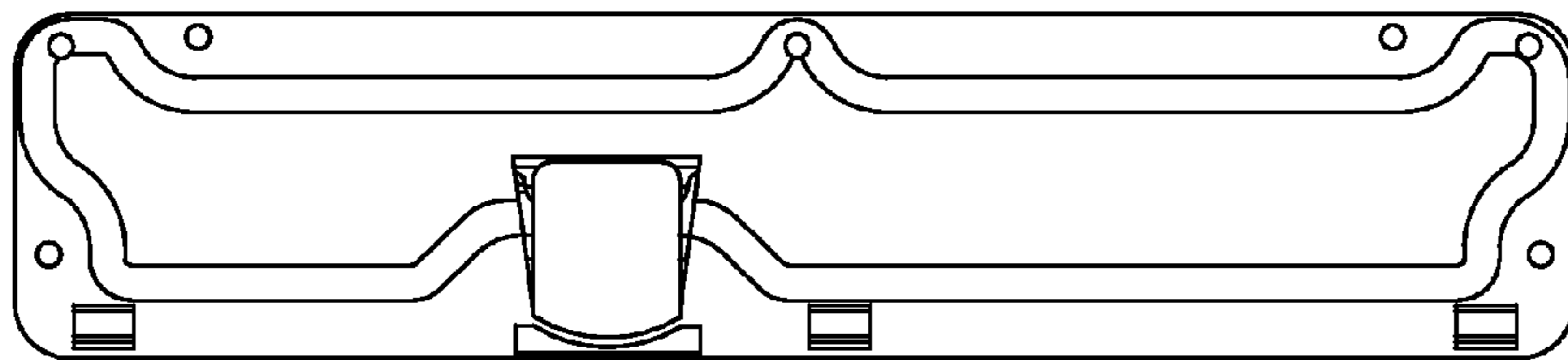


FIG. 7

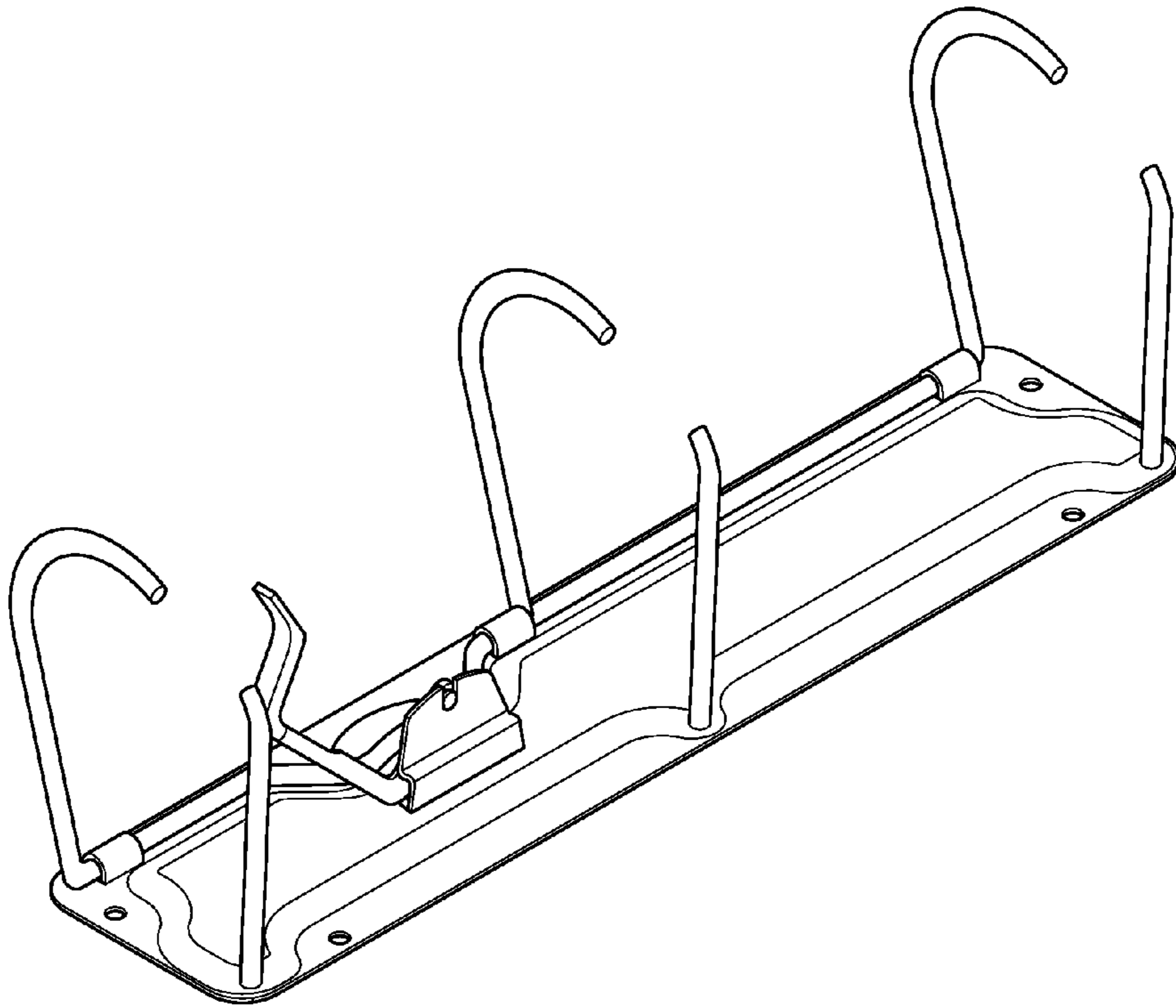


FIG.8

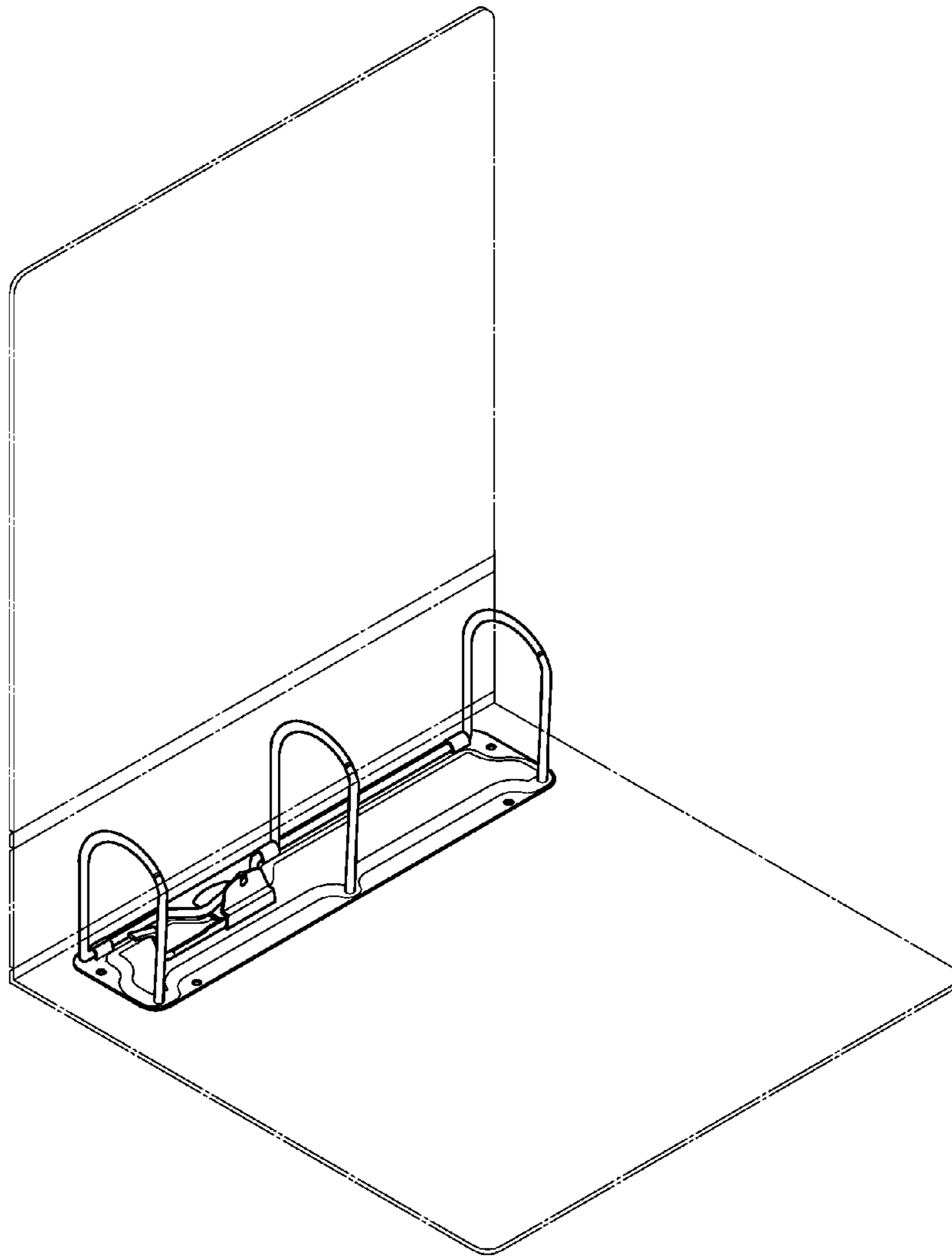


FIG.9