

US00D544032S

(12) **United States Design Patent**  
**Shimada et al.**

(10) **Patent No.:** **US D544,032 S**  
(45) **Date of Patent:** **\*\* Jun. 5, 2007**

(54) **CAM MEMBER**

(75) Inventors: **Hiroshi Shimada**, Tokyo (JP); **Daichi Kumai**, Tokyo (JP); **Junya Tamura**, Tokyo (JP); **Kouichi Tanimoto**, Tokyo (JP)

(73) Assignee: **Kabushiki Kaisha King Jim**, Tokyo (JP)

(\*\*) Term: **14 Years**

(21) Appl. No.: **29/213,655**

(22) Filed: **Sep. 22, 2004**

(30) **Foreign Application Priority Data**

Jul. 14, 2004 (JP) ..... 2004-021292

(51) **LOC (8) Cl.** ..... **19-04**

(52) **U.S. Cl.** ..... **D19/32**

(58) **Field of Classification Search** ..... D19/32,  
D19/27, 26; D22/107; 40/27, 28, 48, 55;  
281/49, 48, 47; 403/3, 56; D8/382; D12/126;  
123/90.24

See application file for complete search history.

(56) **References Cited**

**U.S. PATENT DOCUMENTS**

- D256,092 S \* 7/1980 Stewart, Jr. .... D8/382
- D295,154 S \* 4/1988 Opitz ..... D12/126
- D317,770 S \* 6/1991 Burke ..... D15/5
- D331,614 S \* 12/1992 Martin et al. .... D22/107
- D374,055 S \* 9/1996 Strother ..... D22/107
- D402,928 S \* 12/1998 Swenson et al. .... D12/126
- D408,829 S \* 4/1999 Jones ..... D15/5
- D411,817 S \* 7/1999 Davidson et al. .... D12/126

- 6,422,189 B1 \* 7/2002 Pierik ..... 123/90.24
- D492,224 S \* 6/2004 Bailey et al. .... D12/126
- D512,439 S \* 12/2005 Pearson, Sr. .... D15/5
- D514,124 S \* 1/2006 Francis ..... D15/5
- D523,475 S \* 6/2006 Shimada et al. .... D19/32
- D526,355 S \* 8/2006 Shimada et al. .... D19/32
- D529,957 S \* 10/2006 Shimada et al. .... D19/32
- D530,368 S \* 10/2006 Shimada et al. .... D19/32
- 2003/0159284 A1 \* 8/2003 Ohara et al. .... 29/888.1

\* cited by examiner

*Primary Examiner*—Cathron C. Brooks

*Assistant Examiner*—Austin Murphy

(74) *Attorney, Agent, or Firm*—Rader, Fishman & Grauer PLLC

(57) **CLAIM**

The ornamental design for a cam member, as shown and described.

**DESCRIPTION**

FIG. 1 is a front elevational view of a cam member showing our new design, a rear elevational view being a mirror image thereof;

FIG. 2 is a right side elevational view thereof;

FIG. 3 is a left side elevational view thereof;

FIG. 4 is a top plan view thereof;

FIG. 5 is a bottom plan view thereof; and,

FIG. 6 is a perspective view thereof.

Portions of FIGS. 1–6 that are shown as broken lines are for illustrative purpose only and form no part of the claimed design.

**1 Claim, 4 Drawing Sheets**

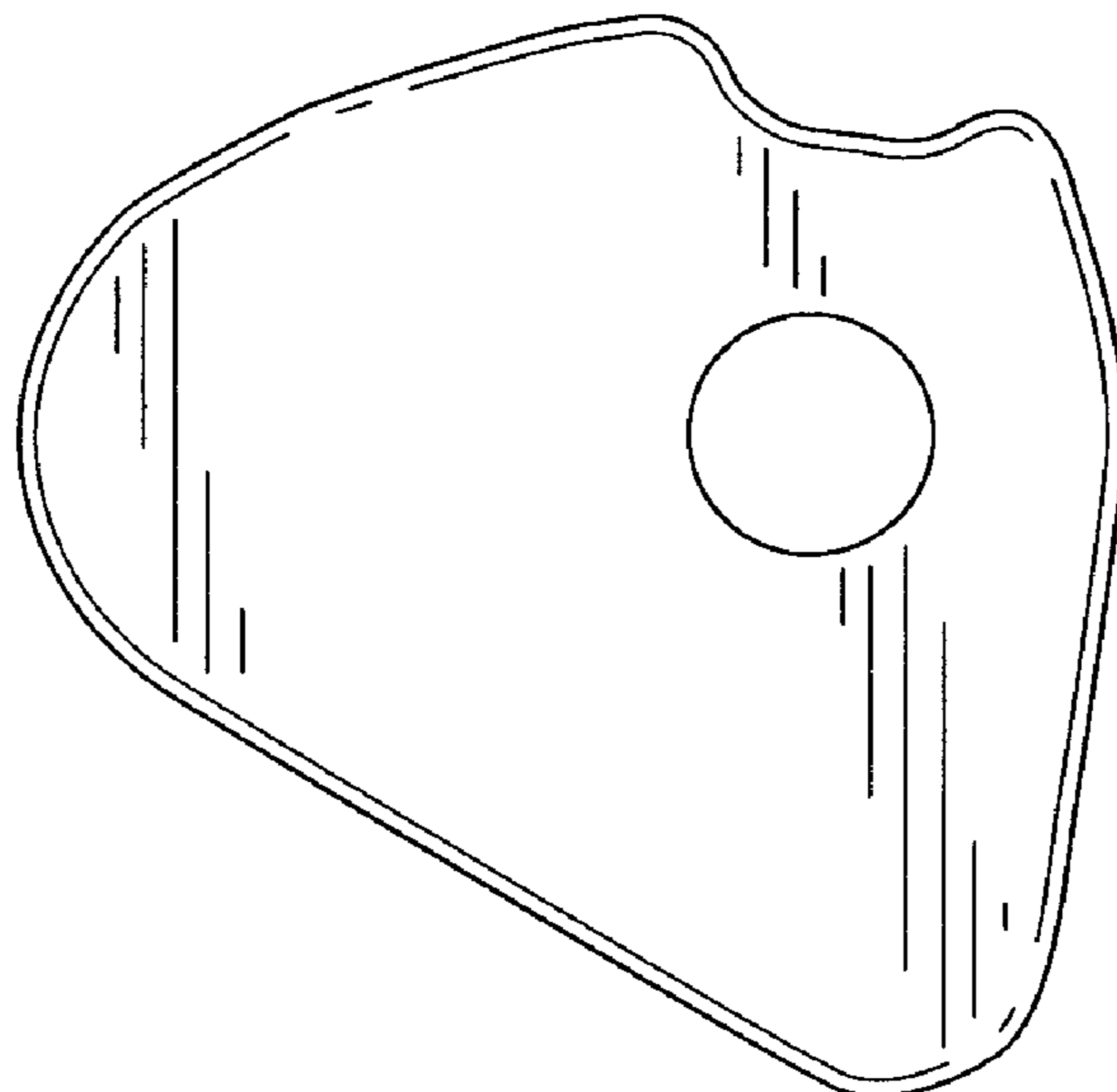


Fig.1

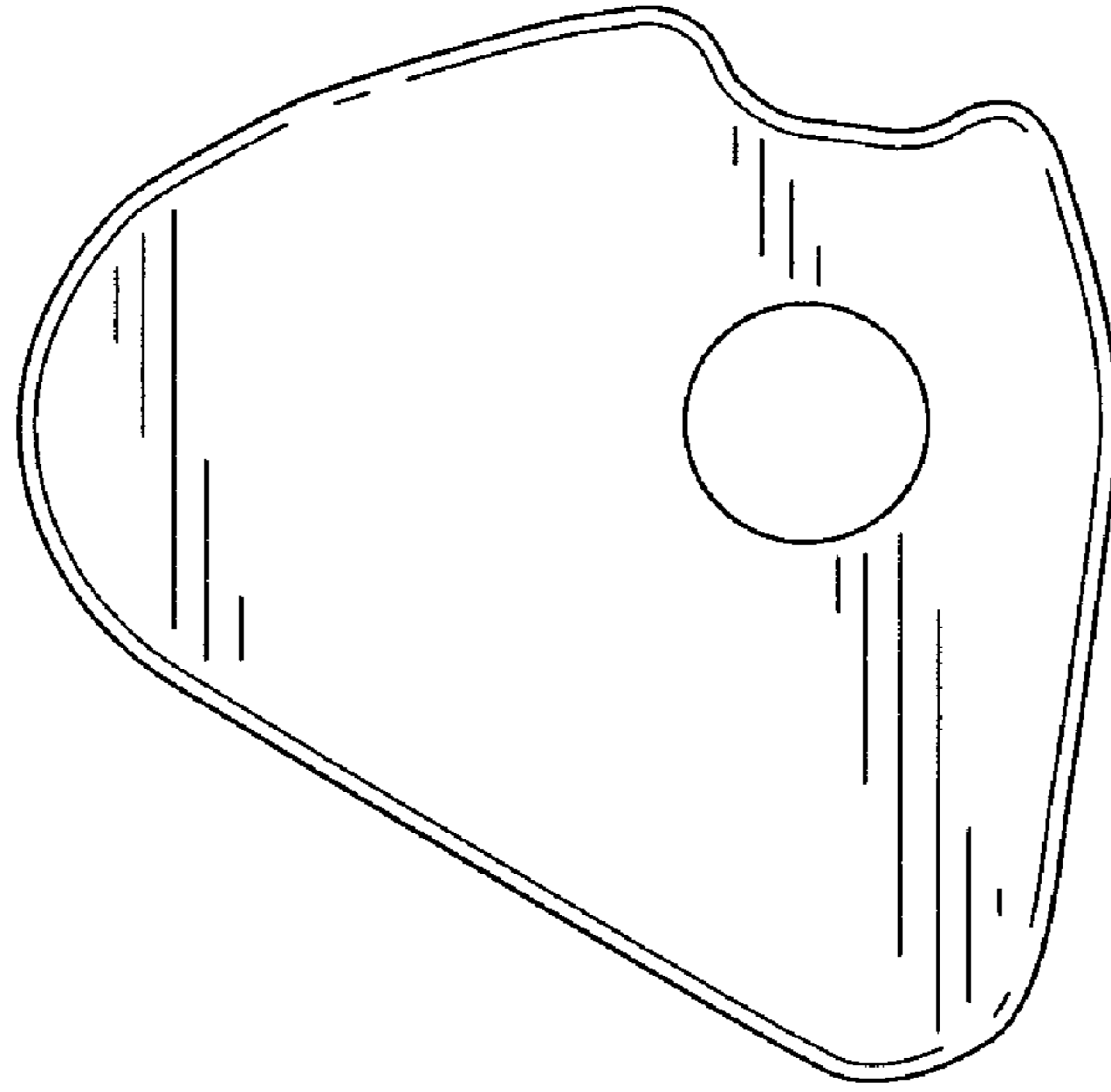


Fig.2

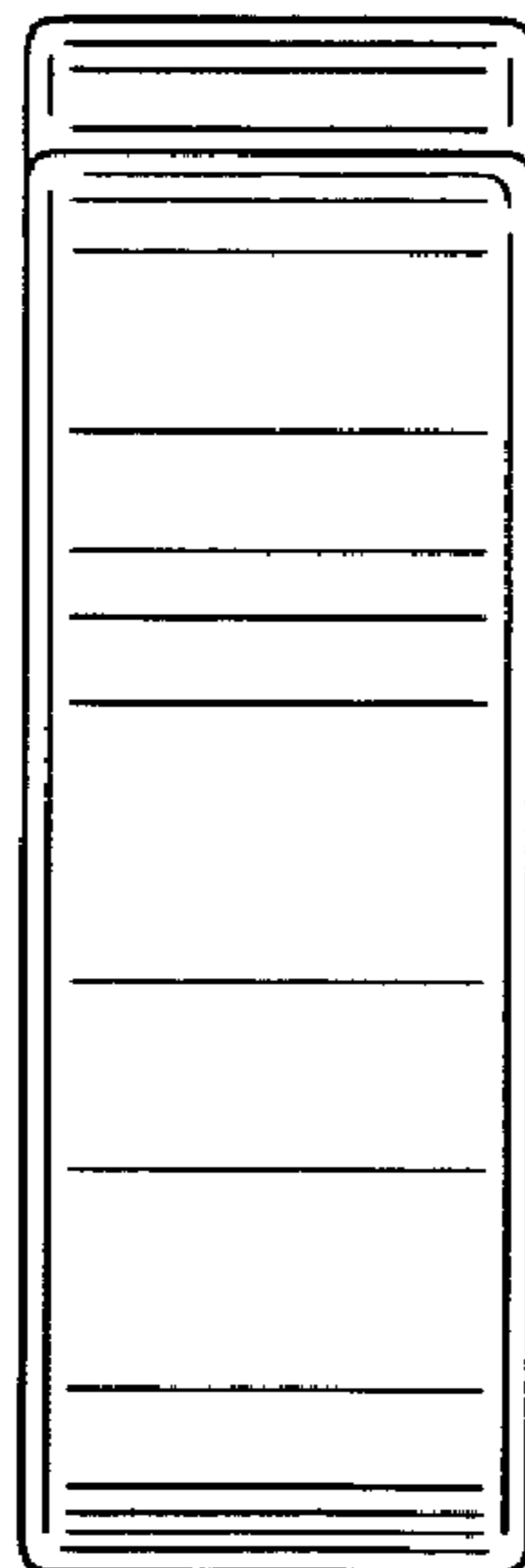


Fig.3

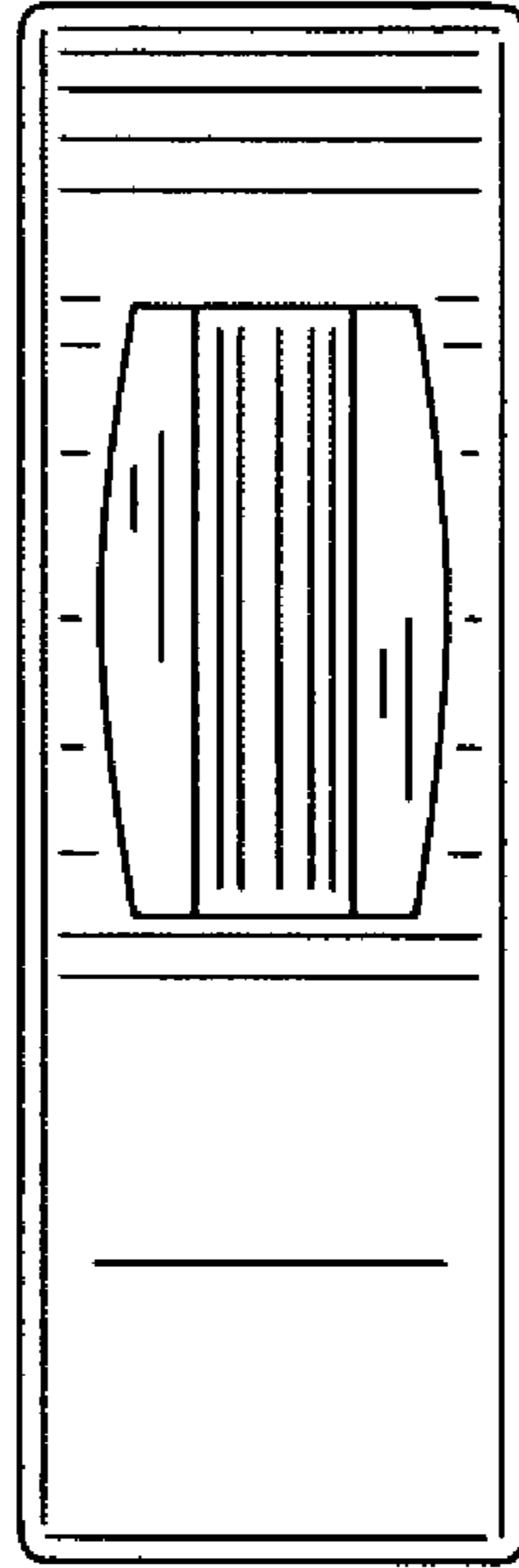


Fig.4

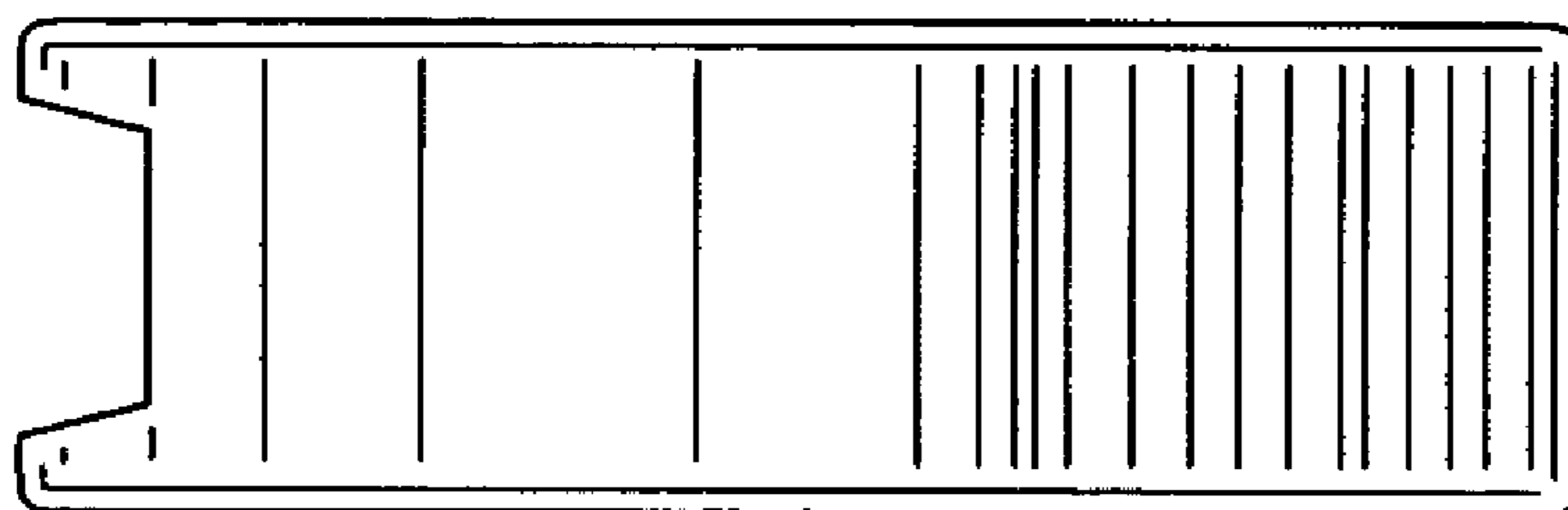
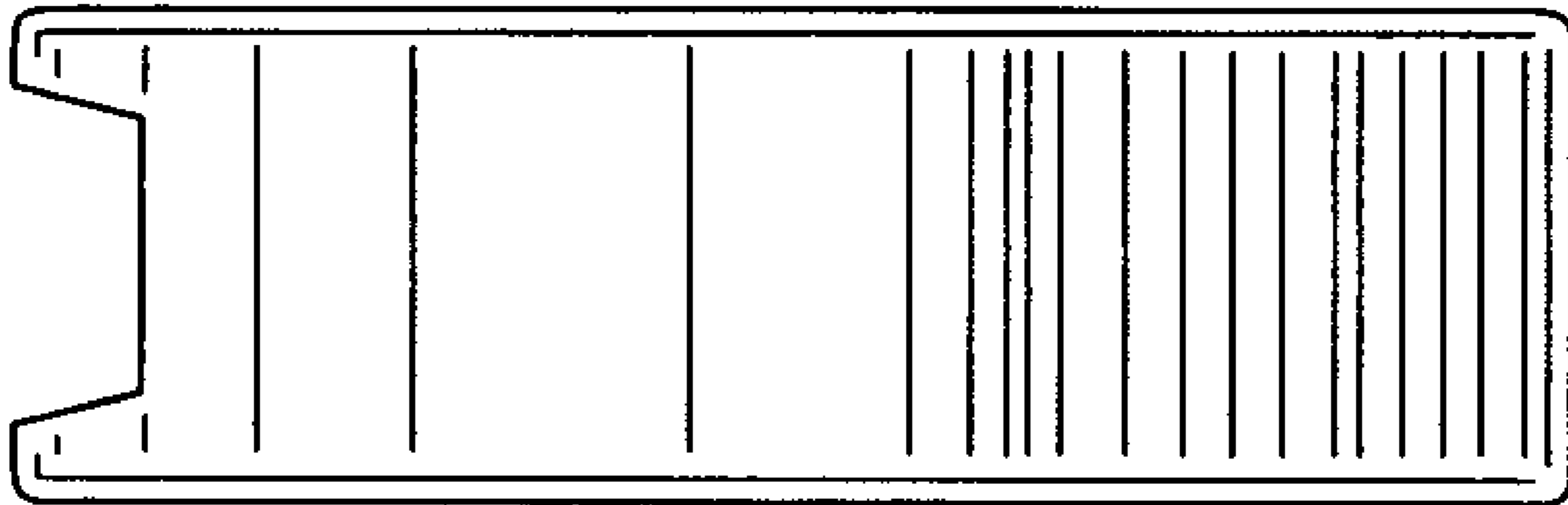


Fig.5



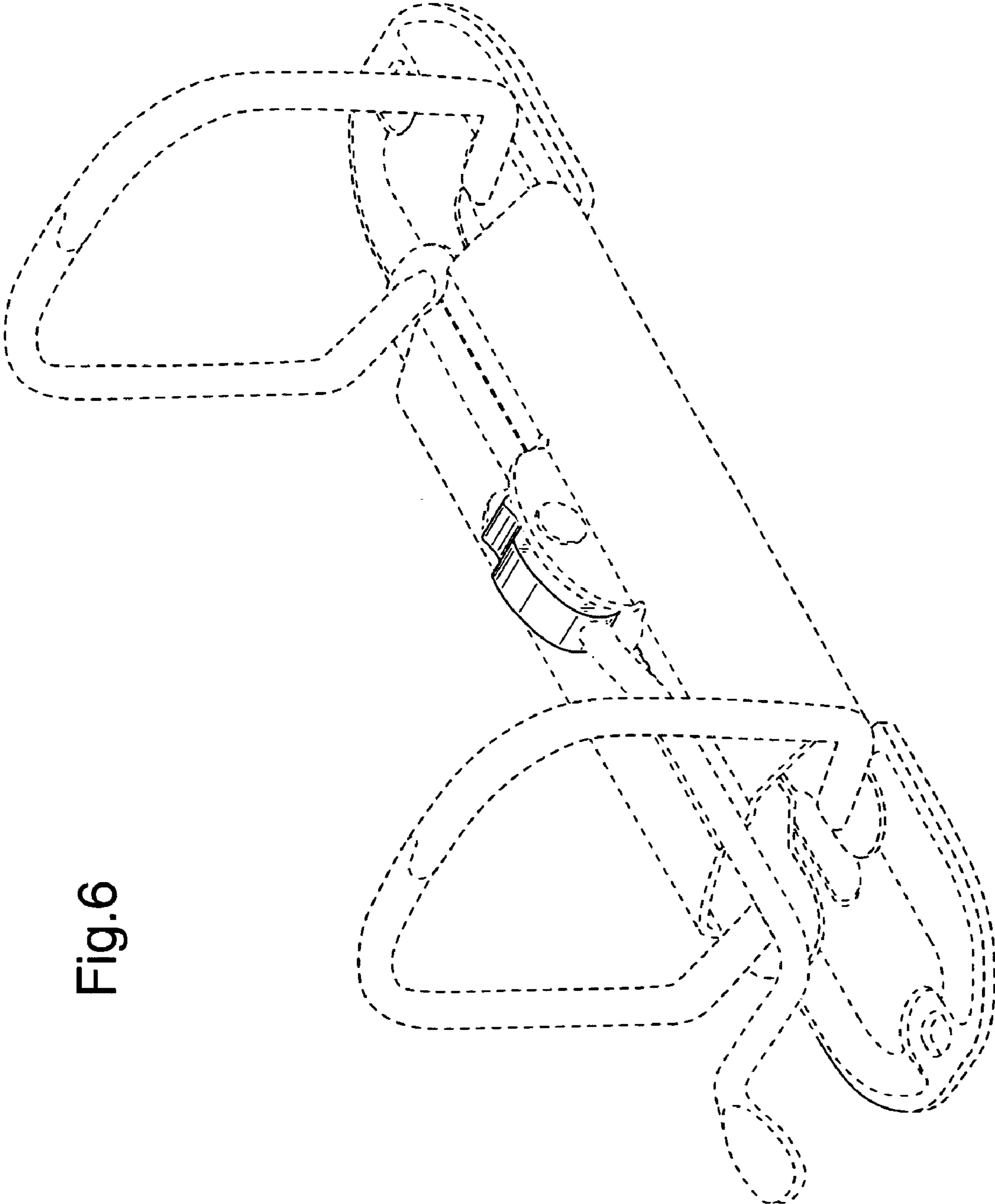


Fig.6