



US00D544028S

(12) **United States Design Patent**
Hanafusa et al.

(10) **Patent No.:** **US D544,028 S**

(45) **Date of Patent:** **** Jun. 5, 2007**

(54) **POINT OF SALE DEVICE**

(75) Inventors: **Norihito Hanafusa**, Machida (JP);
Naoki Kuramochi, Fussa (JP)

(73) Assignee: **Casio Keisanki Kabushiki Kaisha**,
Tokyo (JP)

(**) Term: **14 Years**

(21) Appl. No.: **29/209,653**

(22) Filed: **Jul. 19, 2004**

(51) **LOC (8) Cl.** **18-01**

(52) **U.S. Cl.** **D18/4.4**

(58) **Field of Classification Search** D18/3.1-3.3,
D18/4.1-4.6, 6, 12, 12.1-12.3; D14/315,
D14/316, 336, 371-376; D21/324, 329-332;
D99/28, 43; 235/1 E, 6, 7 R, 33, 50 A, 50 B,
235/50 R, 51, 379, 386; 705/12, 15-18, 40,
705/43

See application file for complete search history.

(56) **References Cited**

U.S. PATENT DOCUMENTS

D345,966 S	*	4/1994	Perez	D18/4.5
D359,952 S	*	7/1995	Cox et al.	D18/4.5
D364,855 S	*	12/1995	Onoda	D14/375
D400,869 S	*	11/1998	Mannix et al.	D14/315
D424,098 S	*	5/2000	Kim	D18/4.5
D427,231 S	*	6/2000	Ono	D18/4.6
D433,701 S	*	11/2000	Chiu	D18/4.6

D451,535 S	*	12/2001	Lee	D18/4.6
6,363,355 B1	*	3/2002	Morrison et al.	705/16
D474,228 S	*	5/2003	Katou et al.	D18/4.3
D494,176 S	*	8/2004	Porter et al.	D14/388
D508,519 S	*	8/2005	Kuramochi et al.	D18/4.1
D508,565 S	*	8/2005	Nepkin et al.	D14/336
D514,565 S	*	2/2006	Haygood	D14/371
2004/0049426 A1	*	3/2004	Miyagawa	705/16

* cited by examiner

Primary Examiner—Caron Veynar

Assistant Examiner—Garth Rademaker

(74) *Attorney, Agent, or Firm*—Frishauf, Holtz, Goodman & Chick, P.C.

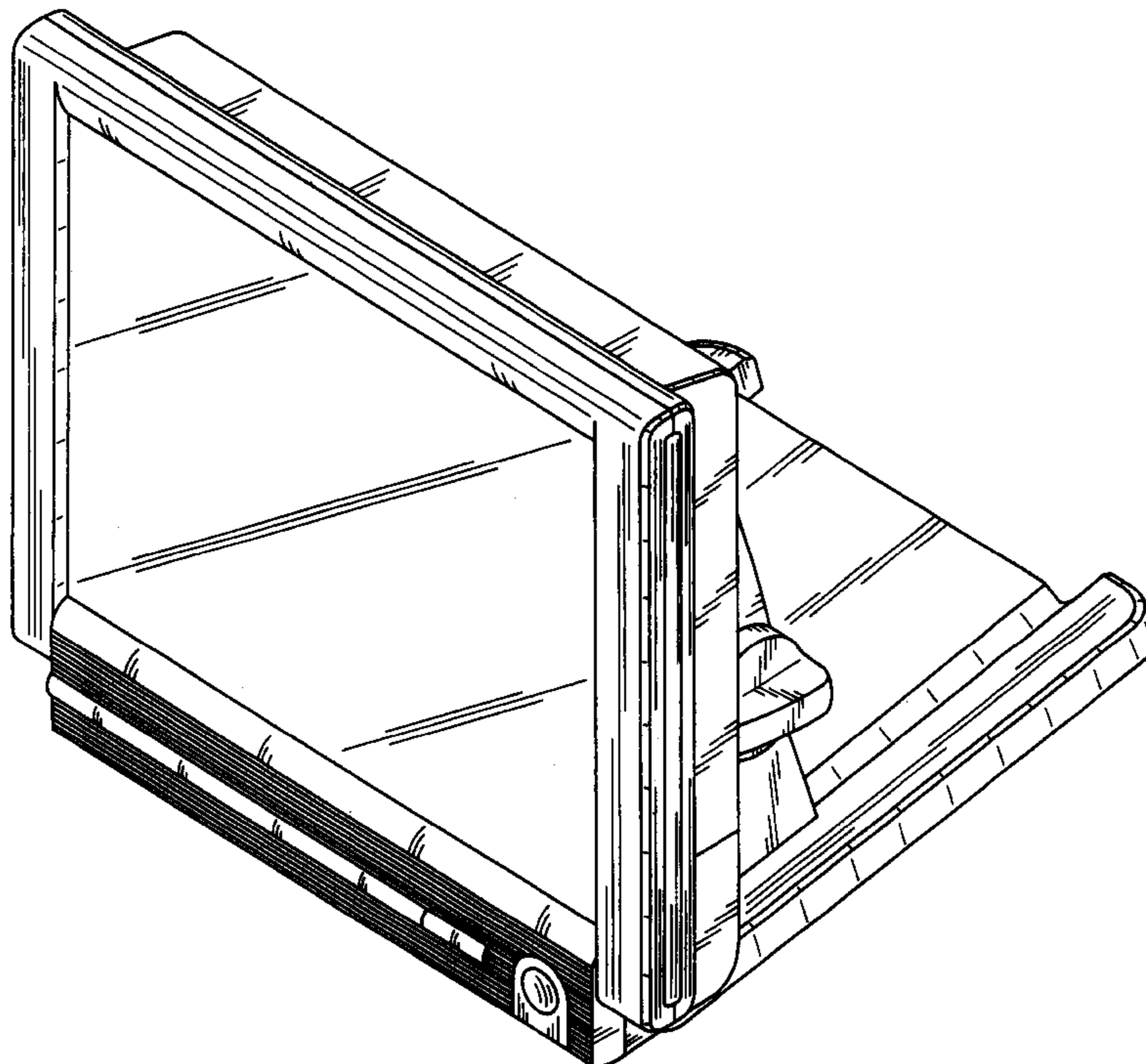
(57) **CLAIM**

The ornamental design for a point of sale device, as shown.

DESCRIPTION

FIG. 1 is a front, right side, top perspective view of a point of sale device showing our new design; FIG. 2 is a front elevational view thereof; FIG. 3 is a rear elevational view thereof; FIG. 4 is a left side elevational view thereof; FIG. 5 is a right side elevational view thereof; FIG. 6 is a top plan view thereof; FIG. 7 is a bottom plan view thereof; and, FIG. 8 is a rear, left side, top perspective view thereof. The broken line showing is for illustrative purposes only and forms no part of the claimed design.

1 Claim, 8 Drawing Sheets



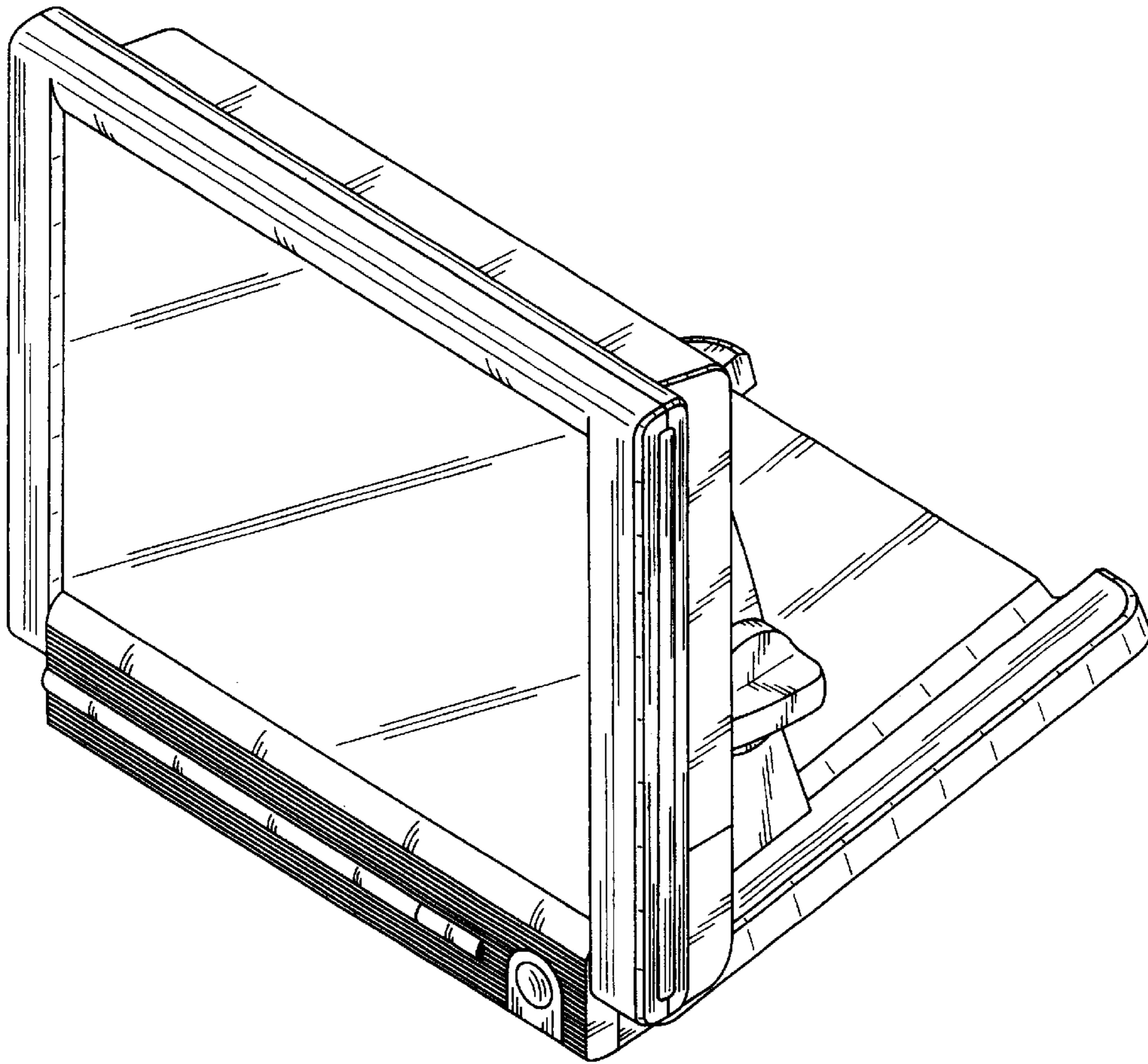


FIG. 1

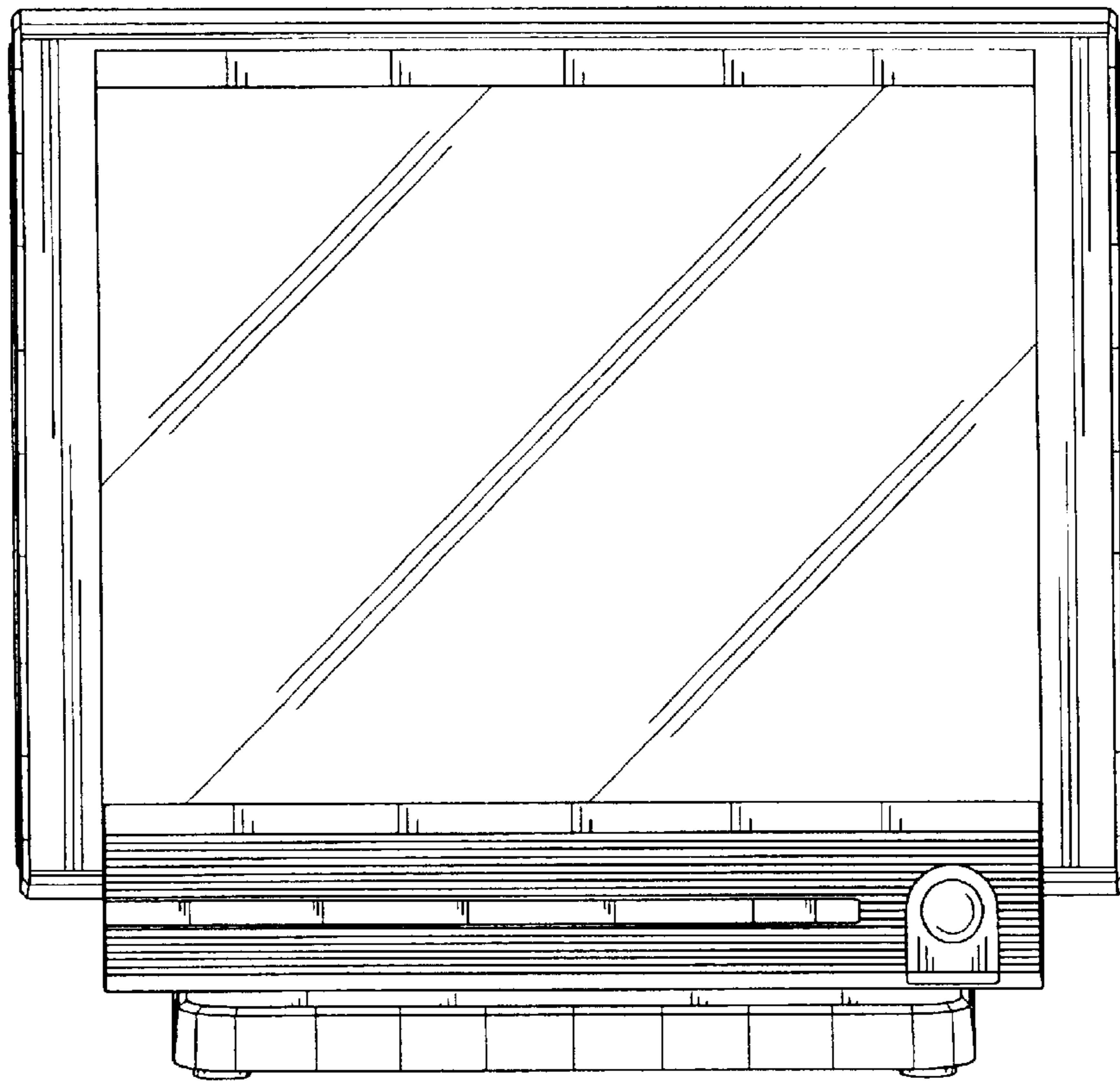


FIG. 2

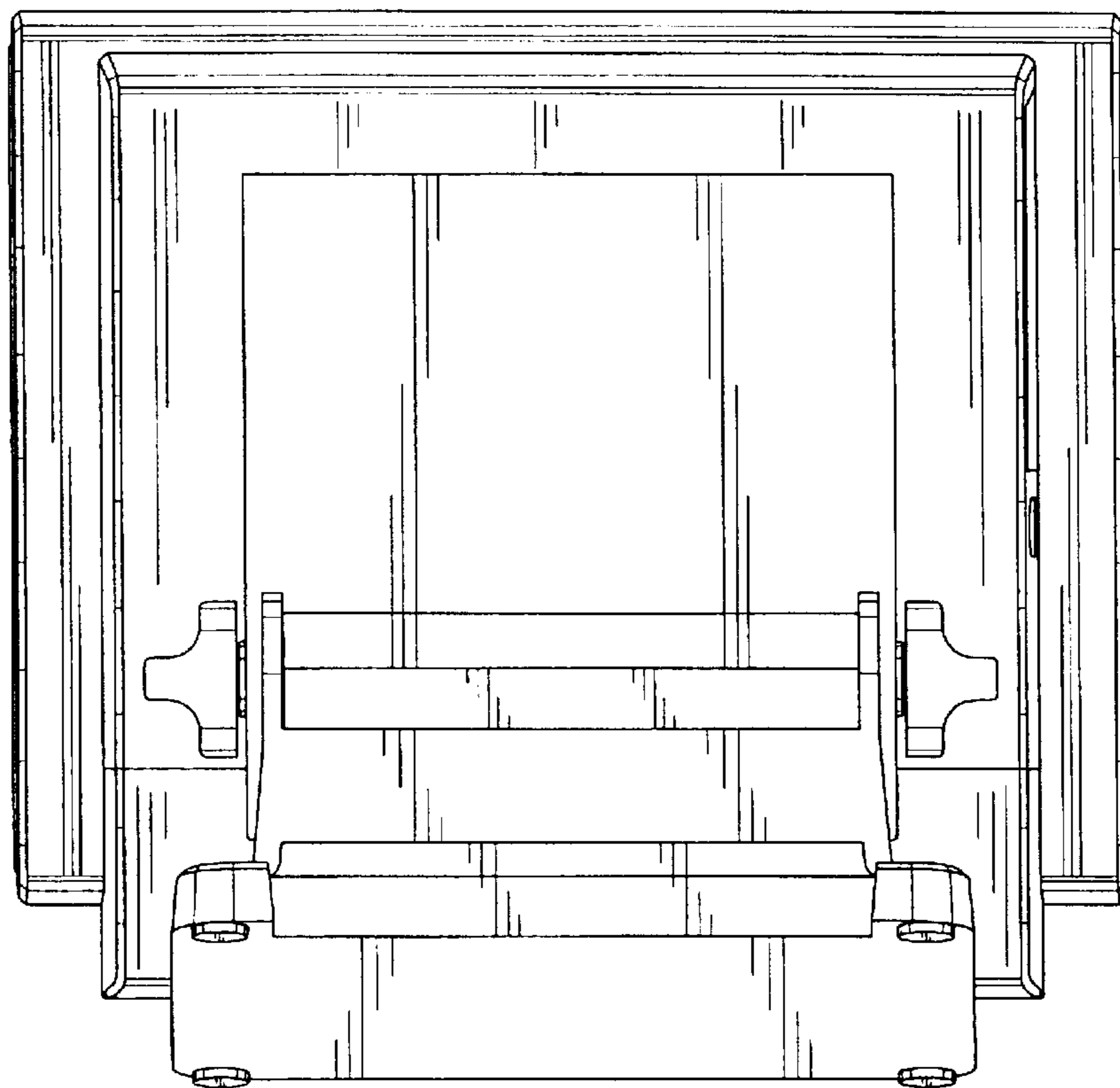


FIG. 3

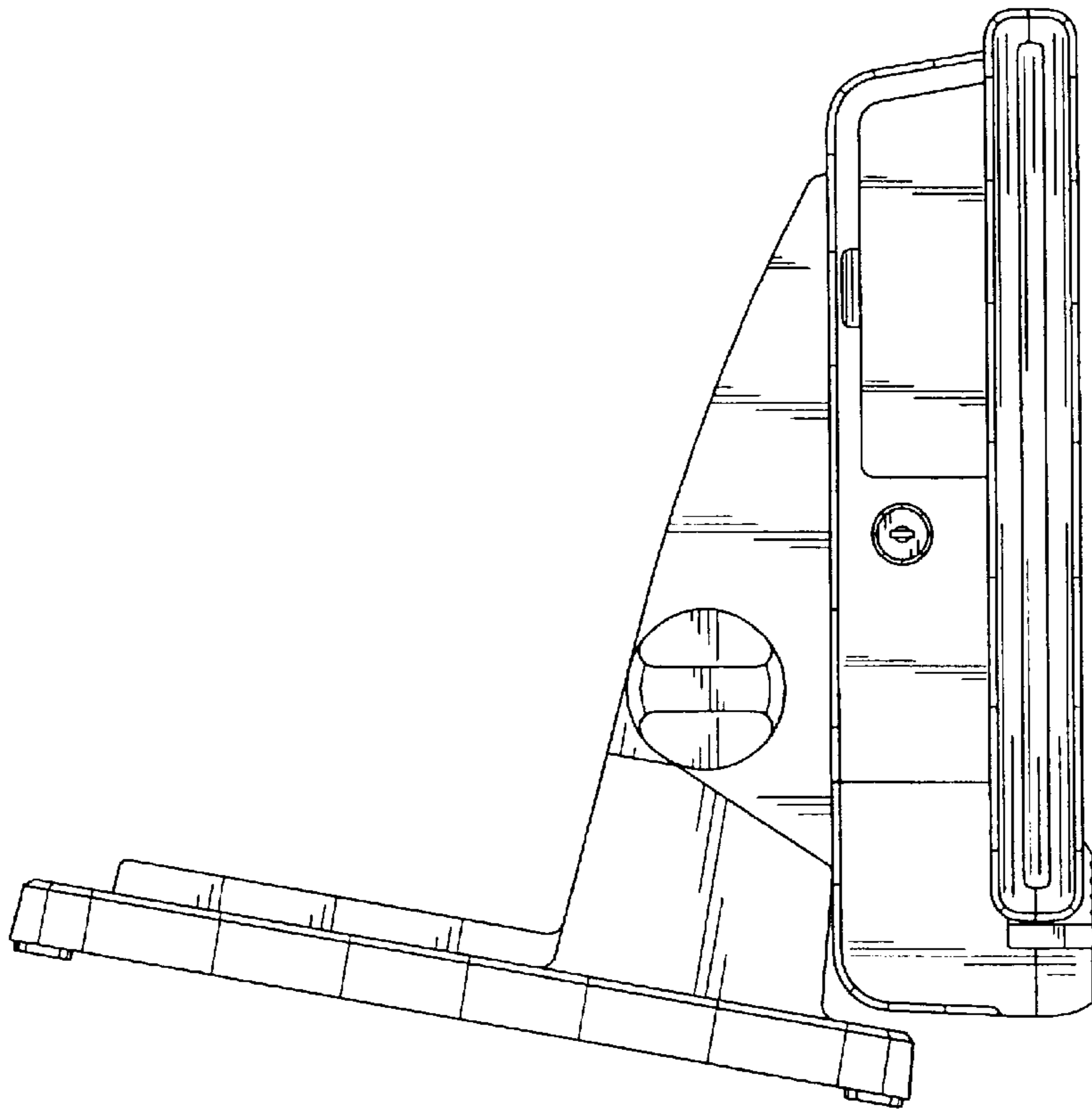


FIG. 4

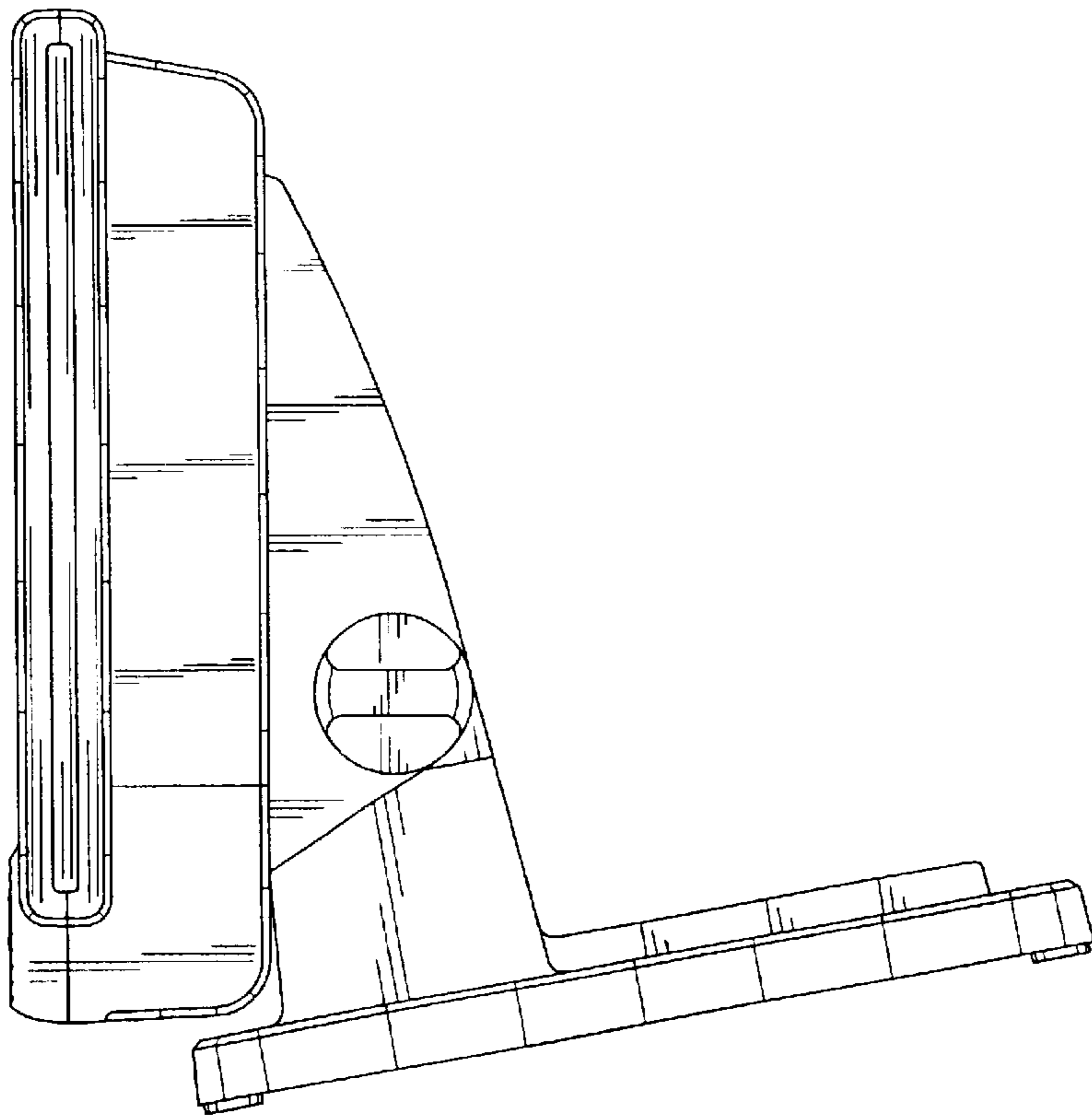


FIG. 5

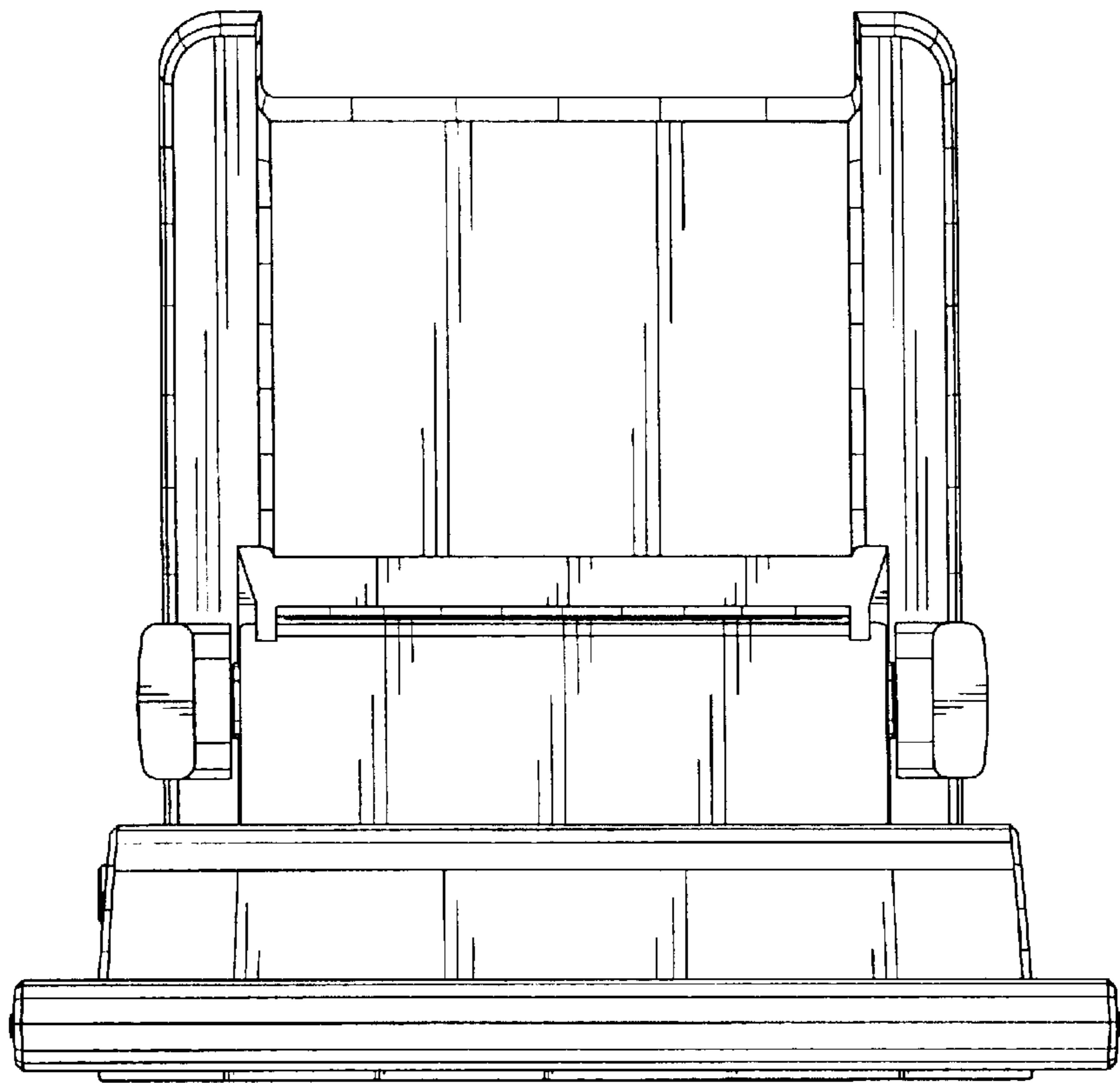


FIG. 6

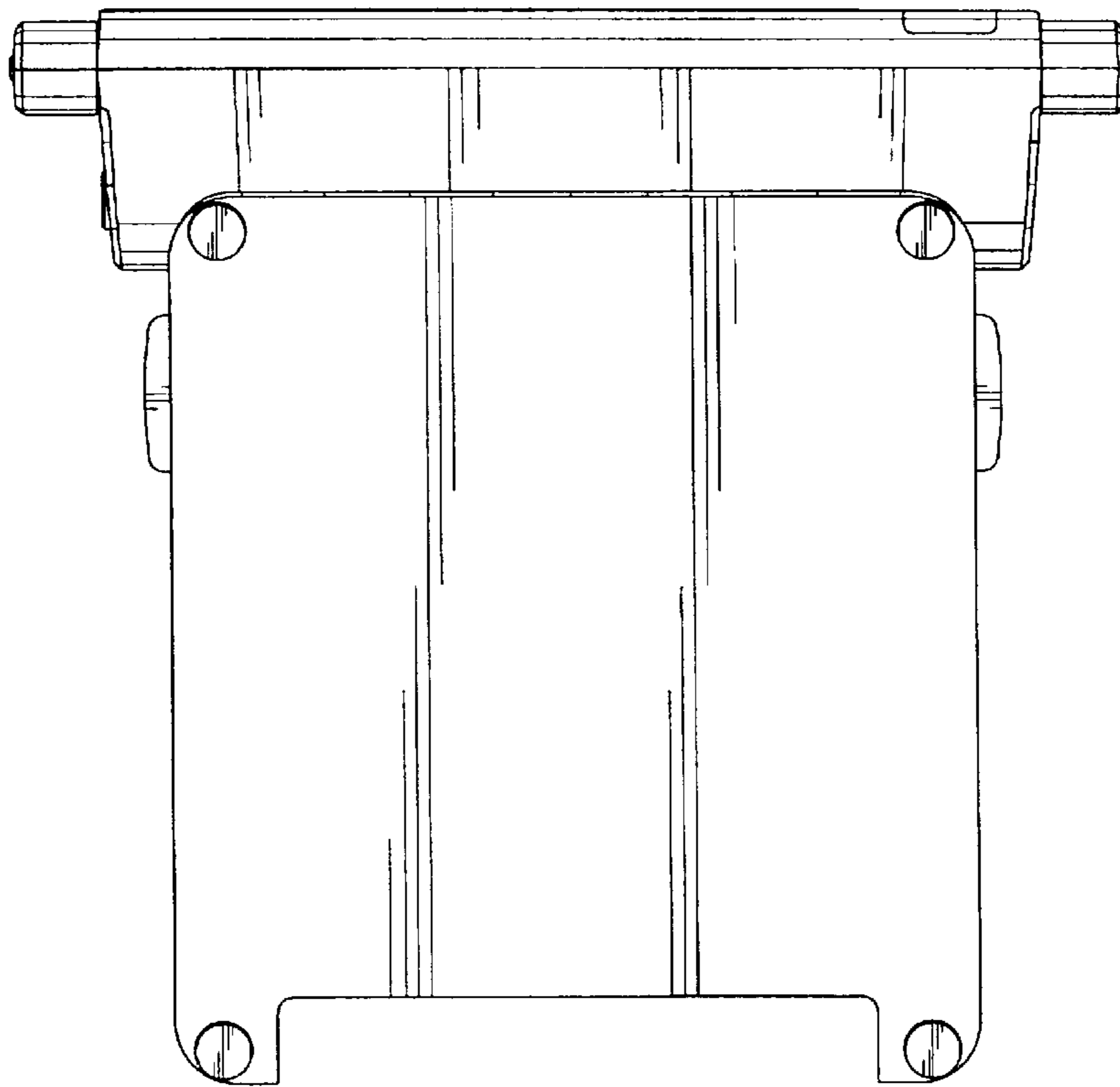


FIG. 7

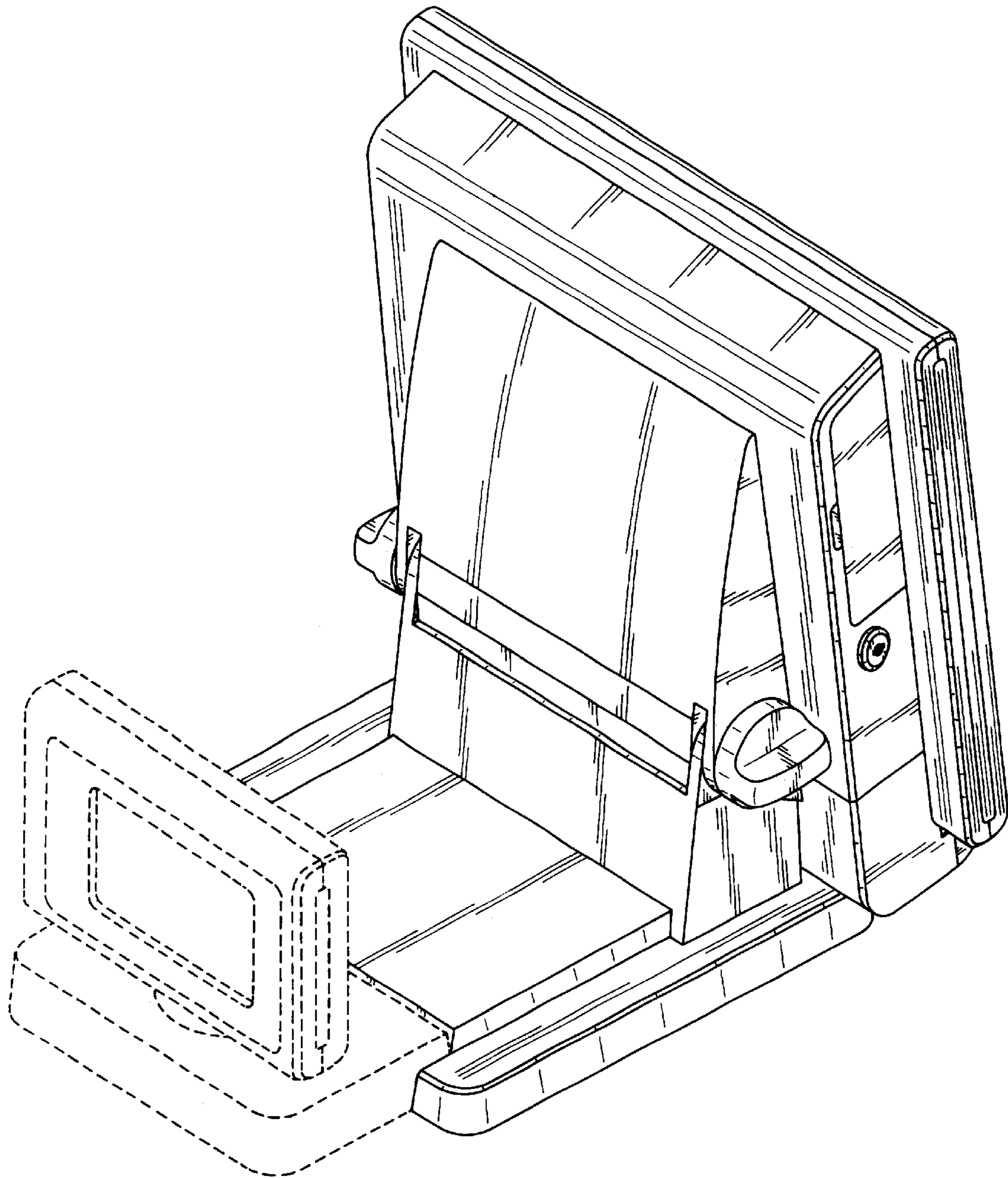


FIG. 8