

US00D544026S

(12) **United States Design Patent**
Riopelle et al.

(10) **Patent No.:** **US D544,026 S**

(45) **Date of Patent:** **** Jun. 5, 2007**

(54) **BEAM ACTIVATED MUSICAL INSTRUMENT**

(75) Inventors: **Gerald Henry Riopelle**, Scottsdale, AZ
(US); **Mark James Jarrett**, Mesa, AZ
(US)

(73) Assignee: **HumanBeams, Inc.**, Scottsdale, AZ
(US)

(**) Term: **14 Years**

(21) Appl. No.: **29/222,916**

(22) Filed: **Feb. 7, 2005**

(51) **LOC (8) Cl.** **17-99**

(52) **U.S. Cl.** **D17/99**

(58) **Field of Classification Search** D17/24,
D17/99; 84/724, 725, 470 R, DIG. 23; 315/120,
315/145

See application file for complete search history.

(56) **References Cited**

U.S. PATENT DOCUMENTS

2,314,038 A	3/1943	Elting	174/52
3,076,953 A	2/1963	Sloop	339/259
3,733,953 A	5/1973	Ferber	84/1.16
3,749,810 A	7/1973	Dow	84/1.24
3,936,134 A	2/1976	Piscionere, Sr.	339/235
4,688,460 A	8/1987	McCoy	84/1.16
4,736,662 A	4/1988	Yamamoto	84/1.09
4,968,877 A	11/1990	McAvinney et al.	250/221
4,974,482 A	12/1990	Tamaki et al.	84/653
5,017,770 A	5/1991	Sigalov	250/221
5,045,687 A	9/1991	Gurner	250/221
5,081,896 A	1/1992	Hiyoshi et al.	84/600
5,085,119 A	2/1992	Cole	84/724
5,369,270 A	11/1994	Gurner et al.	250/221
5,414,256 A	5/1995	Gurner et al.	250/221
5,442,168 A	8/1995	Gurner et al.	250/221
5,459,312 A	10/1995	Gurner et al.	250/221
5,475,214 A	12/1995	DeFranco et al.	250/221
5,668,333 A	9/1997	Horton et al.	84/470 R

5,790,124 A	8/1998	Fischer et al.	345/435
5,989,120 A	11/1999	Truchsess	463/7
5,990,409 A	11/1999	Takahashi et al.	84/724
5,998,727 A	12/1999	Toba et al.	84/724
6,142,849 A	11/2000	Horton et al.	446/175
6,153,822 A	11/2000	Toba et al.	84/724
6,175,074 B1	1/2001	Takahashi et al.	84/724
6,489,550 B1	12/2002	Takahashi et al.	84/724
6,492,775 B2	12/2002	Klotz et al.	315/120
6,501,012 B1	12/2002	Toba et al.	84/724
6,663,491 B2	12/2003	Watabe et al.	463/36
6,685,480 B2	2/2004	Nishimoto et al.	434/247
6,738,044 B2	5/2004	Holzrichter et al.	345/158
6,755,713 B1	6/2004	Weber et al.	446/143
6,960,715 B2 *	11/2005	Riopelle	84/725
D523,467 S *	6/2006	Riopelle et al.	D17/99
2002/0047549 A1 *	4/2002	Klotz et al.	315/149
2003/0070537 A1 *	4/2003	Nishitani et al.	84/633

* cited by examiner

Primary Examiner—Adir Aronovich

(74) *Attorney, Agent, or Firm*—Greenberg Traurig, LLP;
Richard E. Kurtz; James E. Goepel

(57) **CLAIM**

The ornamental design for a beam activated musical instrument, as shown and described.

DESCRIPTION

FIG. 1 is a rear perspective view of a beam activated musical instrument showing the present design;

FIG. 2 is rear view of the present design;

FIG. 3 is a front view of the present design;

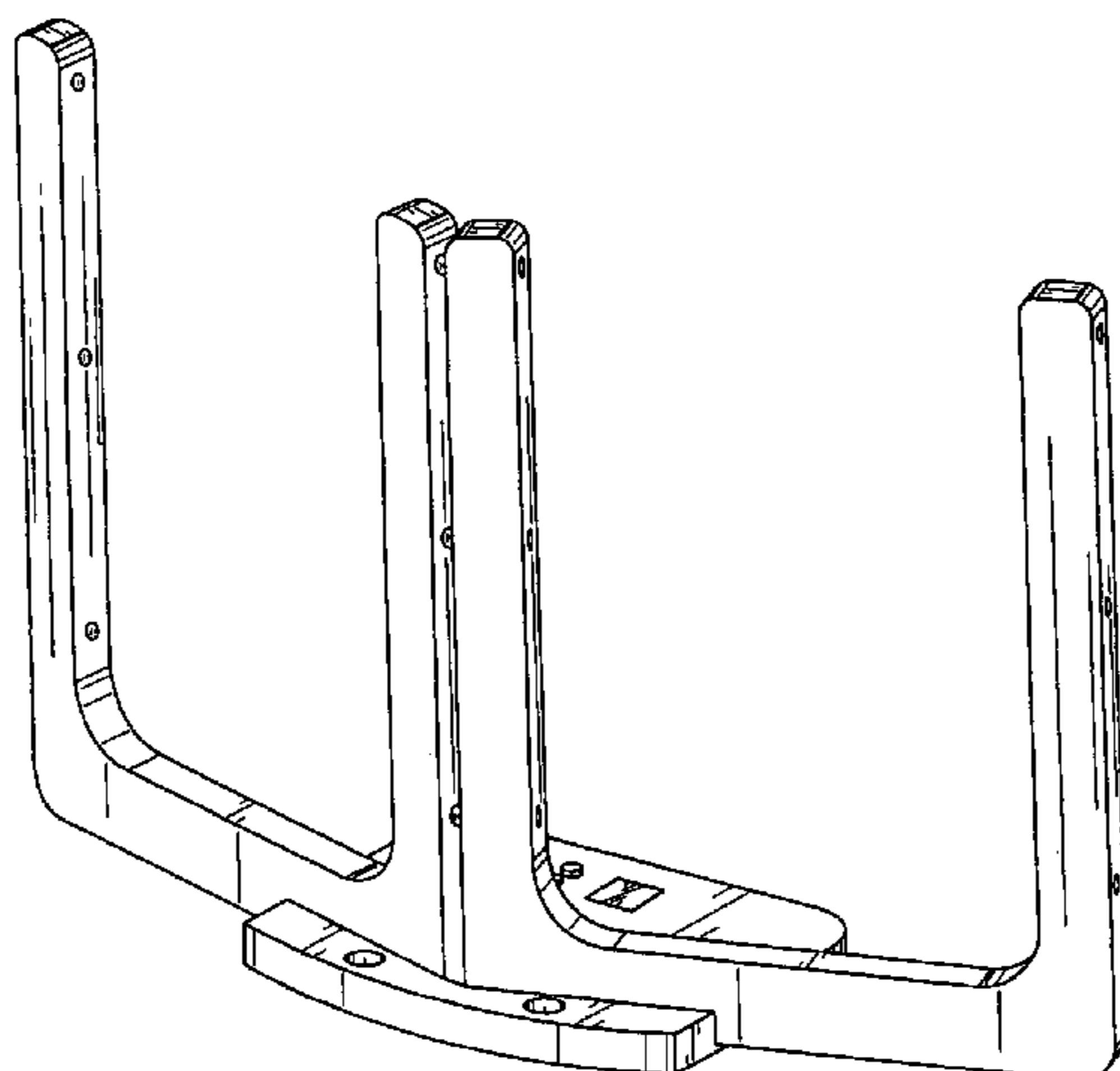
FIG. 4 is a top view of the present design;

FIG. 5 is a bottom view of the present design;

FIG. 6 is a right elevation view of the present design; and,

FIG. 7 is a left elevation view of the present design.

1 Claim, 5 Drawing Sheets



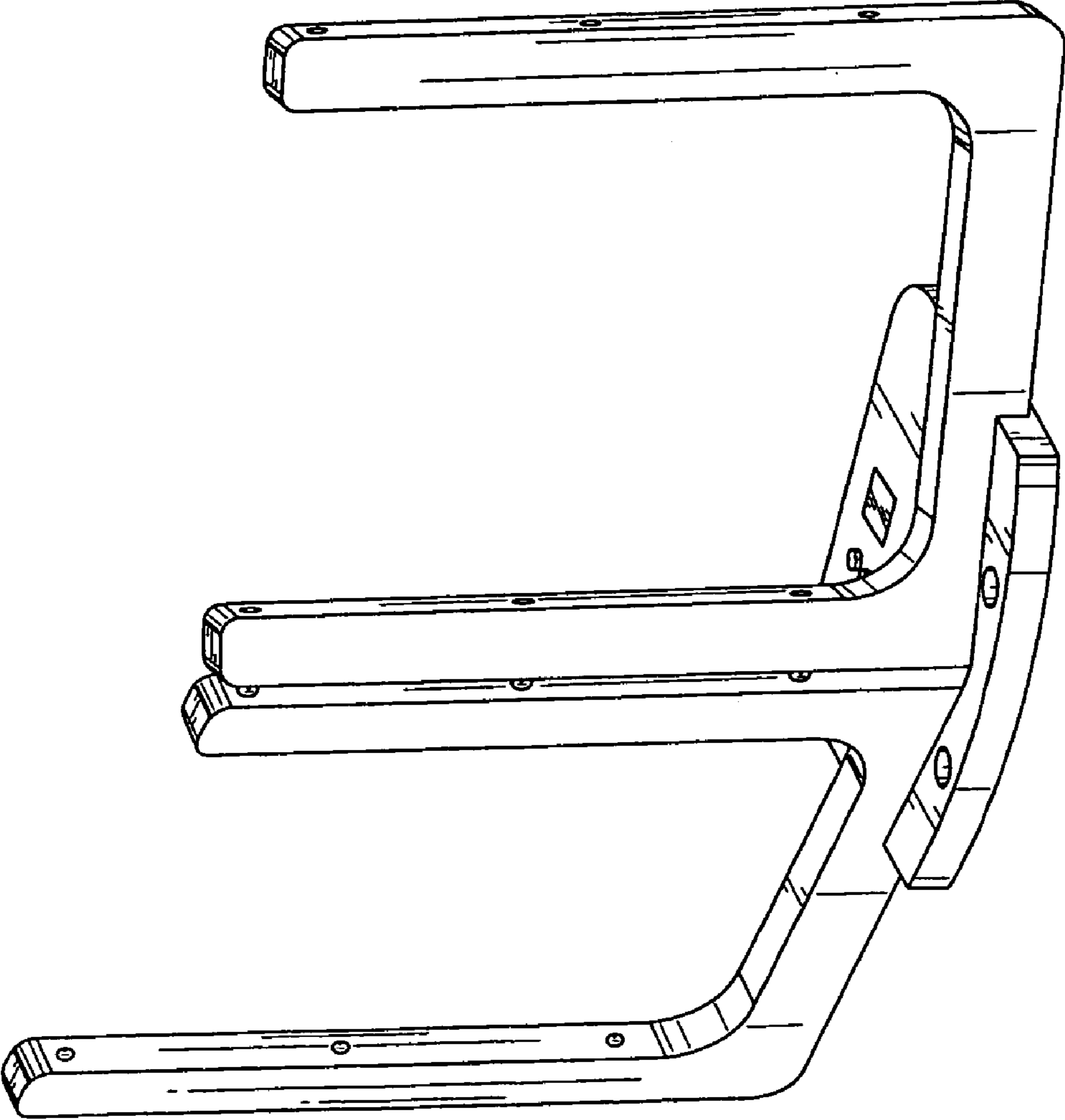


FIG. 1

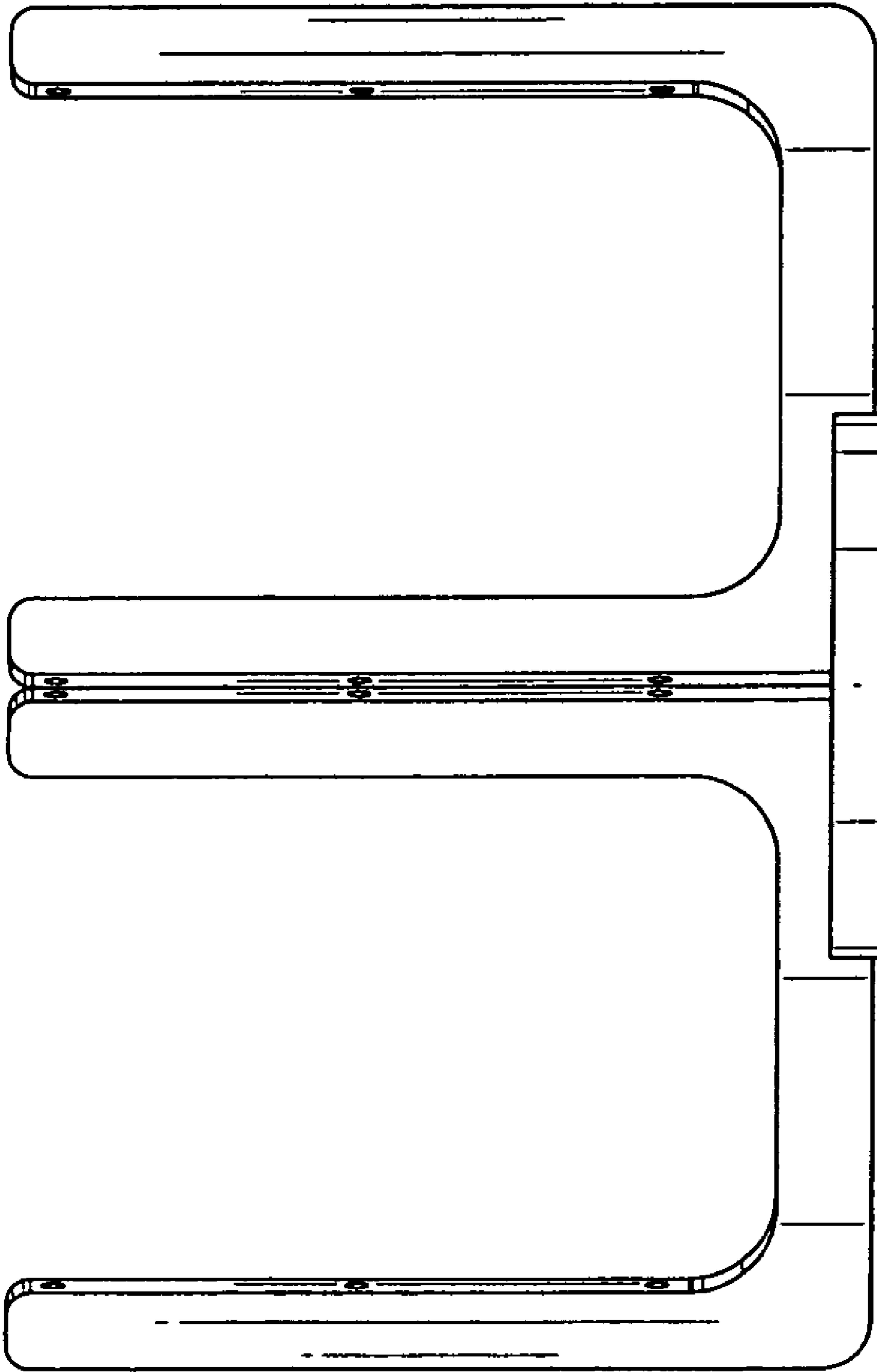


FIG. 2

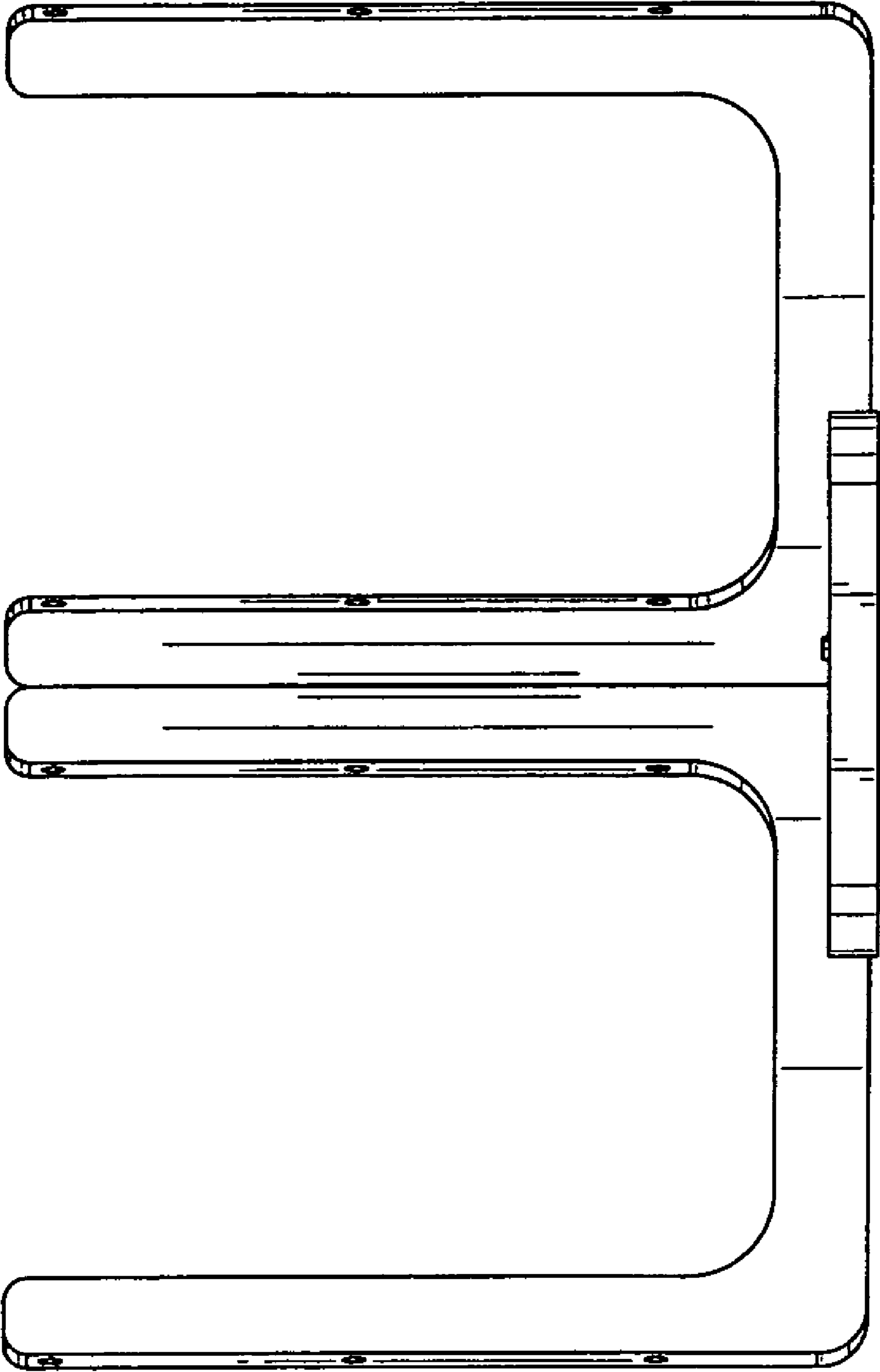


FIG. 3

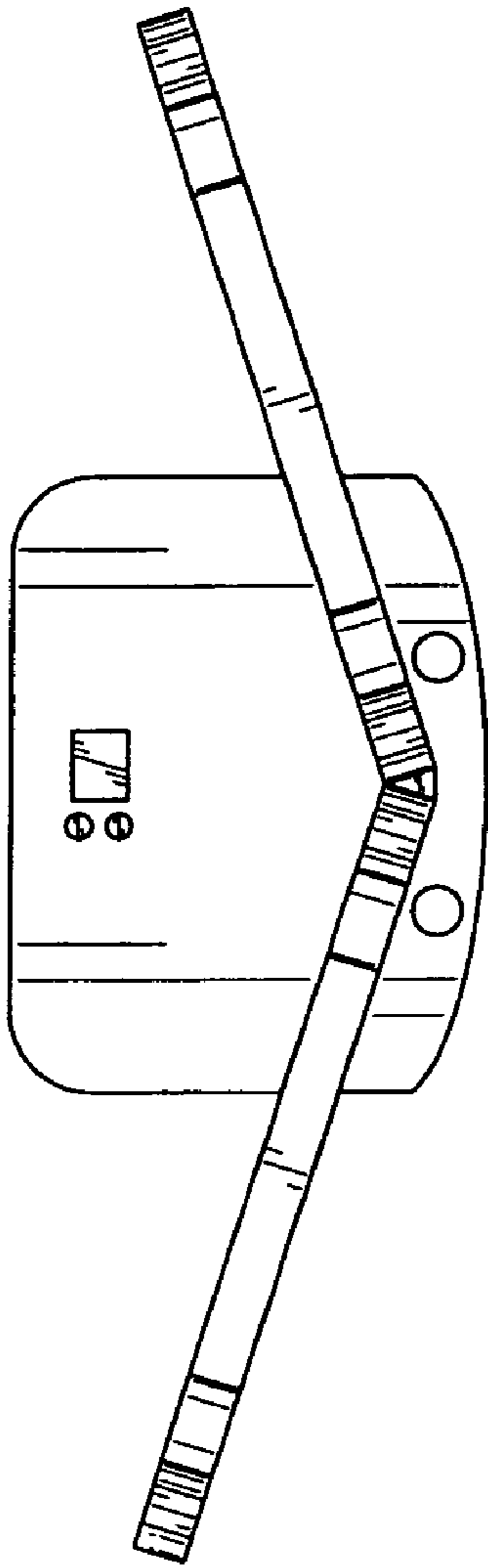


FIG. 4

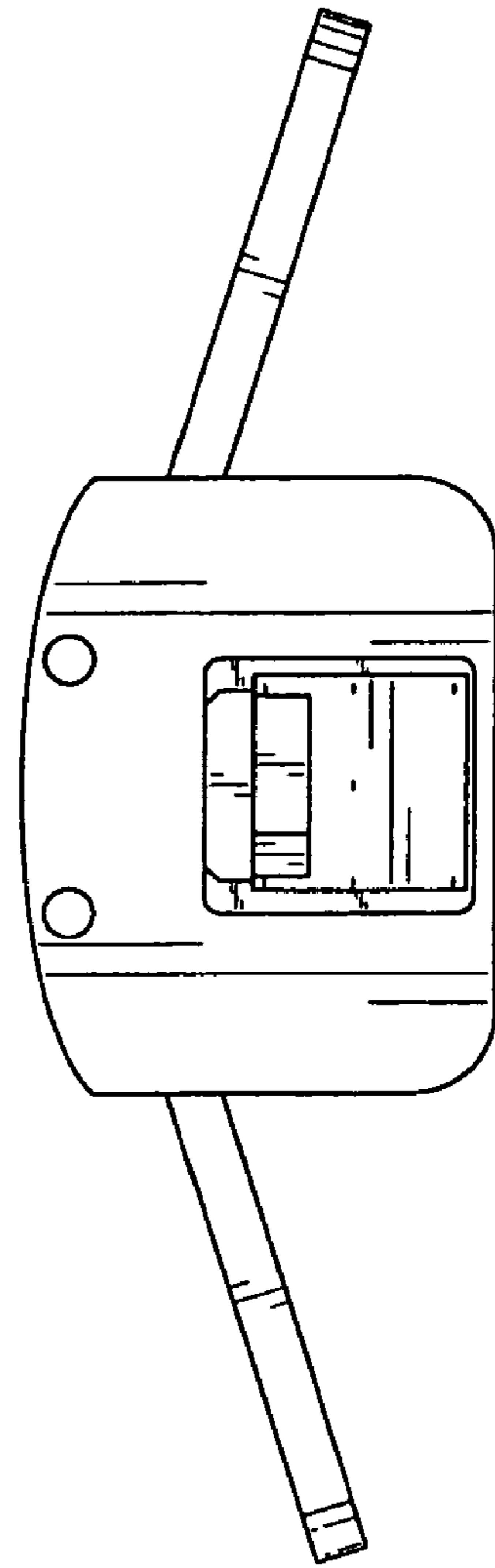


FIG. 5

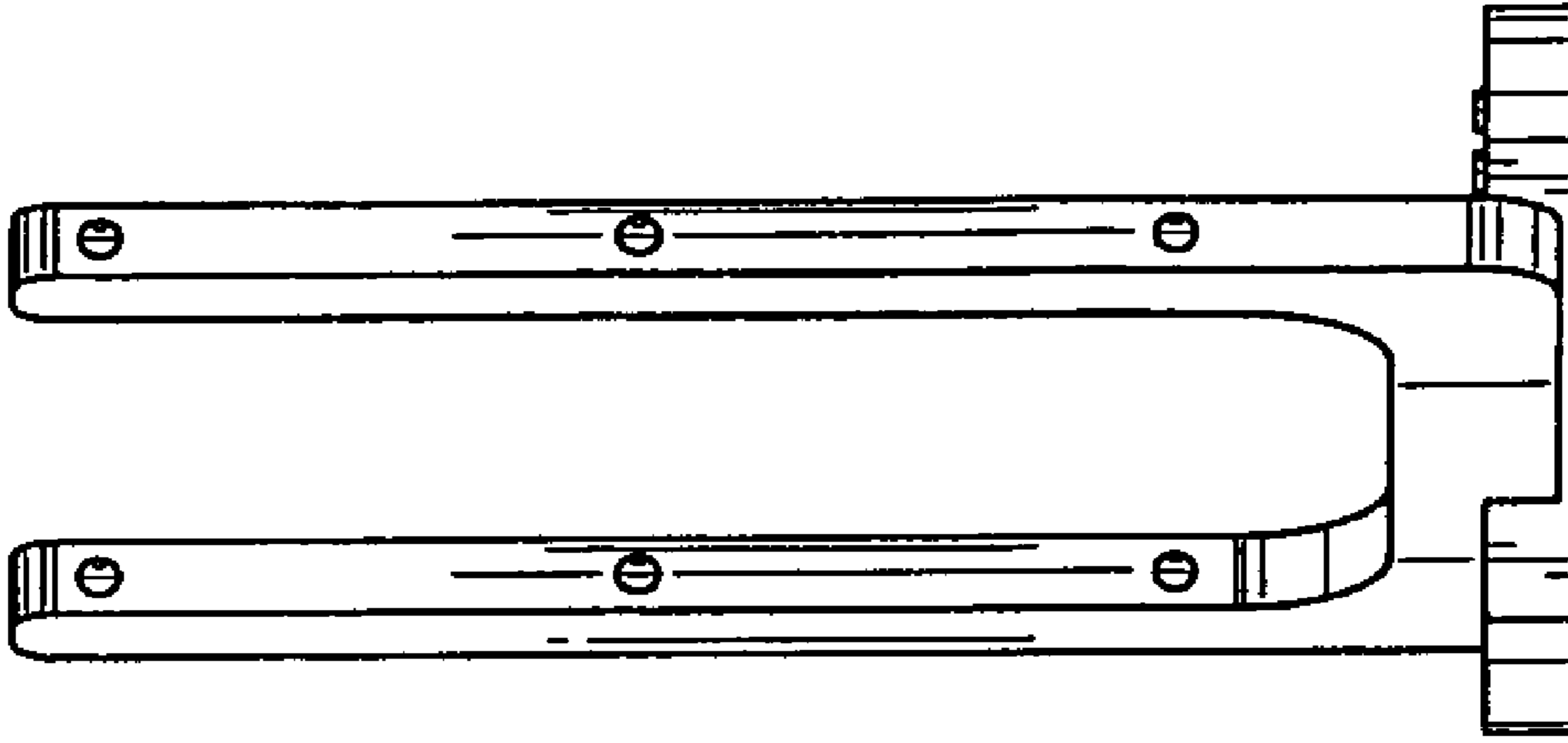


FIG. 6

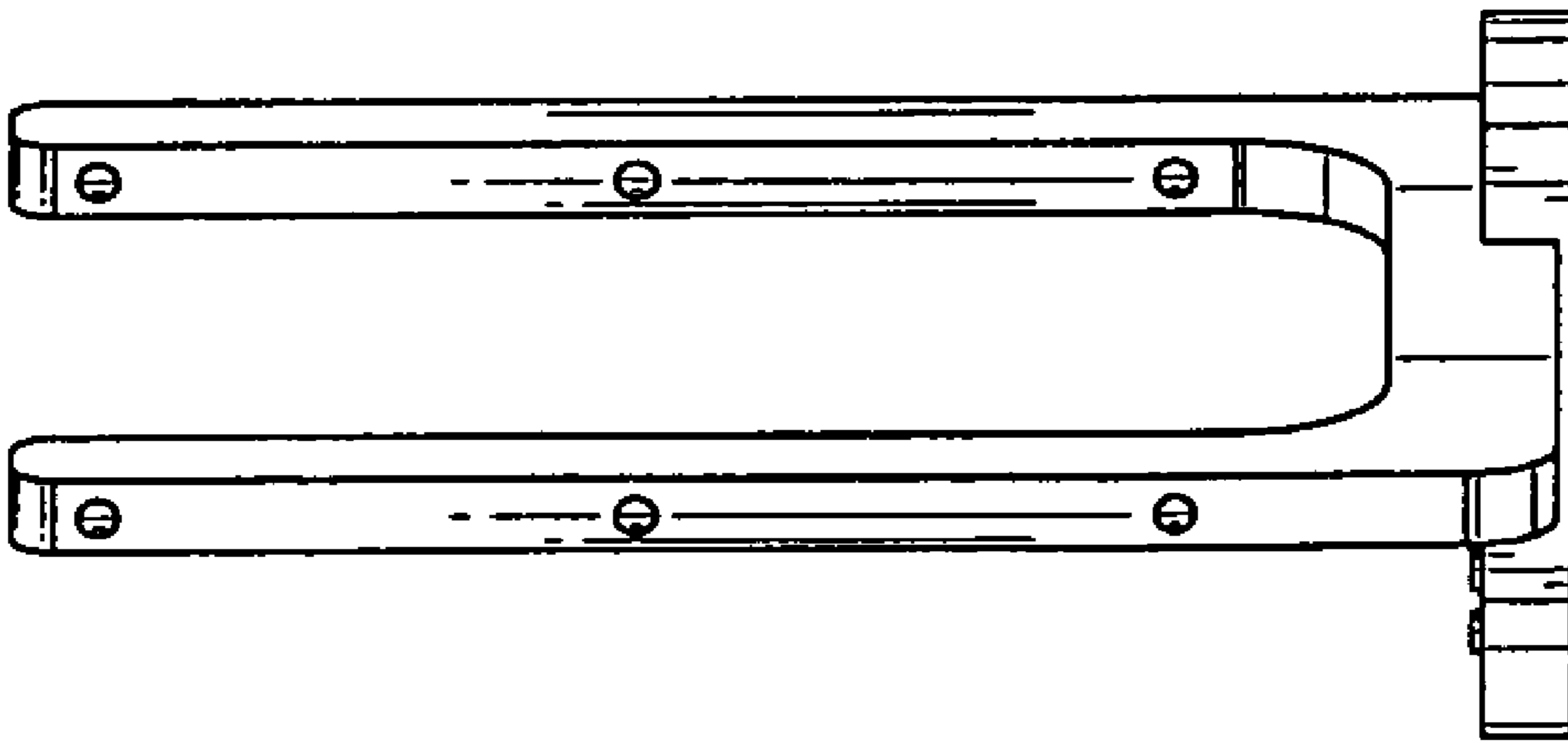


FIG. 7