

US00D544011S

(12) **United States Design Patent**  
**Tanio**

(10) **Patent No.:** **US D544,011 S**  
(45) **Date of Patent:** **\*\* Jun. 5, 2007**

(54) **DIGITAL CAMERA**

(75) Inventor: **Satoru Tanio**, Hachioji (JP)

(73) Assignee: **Olympus Corporation**, Tokyo (JP)

(\*\*) Term: **14 Years**

(21) Appl. No.: **29/260,119**

(22) Filed: **May 18, 2006**

**Related U.S. Application Data**

(62) Division of application No. 29/213,195, filed on Sep. 14, 2004, now Pat. No. Des. 529,257.

(30) **Foreign Application Priority Data**

Mar. 31, 2004 (JP) ..... 2004-010067  
Mar. 31, 2004 (JP) ..... 2004-010069

(51) **LOC (8) Cl.** ..... **16-05**

(52) **U.S. Cl.** ..... **D16/219; D16/202**

(58) **Field of Classification Search** ..... D16/200–205,  
D16/208, 218, 219; 348/373–376; 358/909.1;  
396/348, 448, 535–541

See application file for complete search history.

(56) **References Cited**

**U.S. PATENT DOCUMENTS**

D396,482 S 7/1998 Yamanouchi ..... D16/202

5,970,265 A	*	10/1999	Schelling	.....	396/348
D428,038 S	*	7/2000	Suto	.....	D16/219
6,347,893 B1		2/2002	Shiono et al.	.....	396/448
D467,602 S		12/2002	Katayama	.....	D16/202
D491,970 S	*	6/2004	Ikenaga	.....	D16/202
D493,810 S		8/2004	Katayama	.....	D16/202
D494,205 S	*	8/2004	Kawase	.....	D16/219
D500,333 S		12/2004	Hong et al.	.....	D16/218
D508,065 S		8/2005	Dow et al.	.....	D16/202
D518,499 S	*	4/2006	Iue	.....	D16/219
D524,836 S	*	7/2006	Morita	.....	D16/212

\* cited by examiner

*Primary Examiner*—Adir Aronovich

(74) *Attorney, Agent, or Firm*—Hogan & Hartson LLP

(57) **CLAIM**

The ornamental design for a digital camera, as shown and described.

**DESCRIPTION**

FIG. 1 is a front and right side perspective view of a digital camera showing my new design;

FIG. 2 is a rear and left side perspective view thereof; and,

FIG. 3 is a front and right side perspective view showing the lens cover in an open position.

**1 Claim, 2 Drawing Sheets**

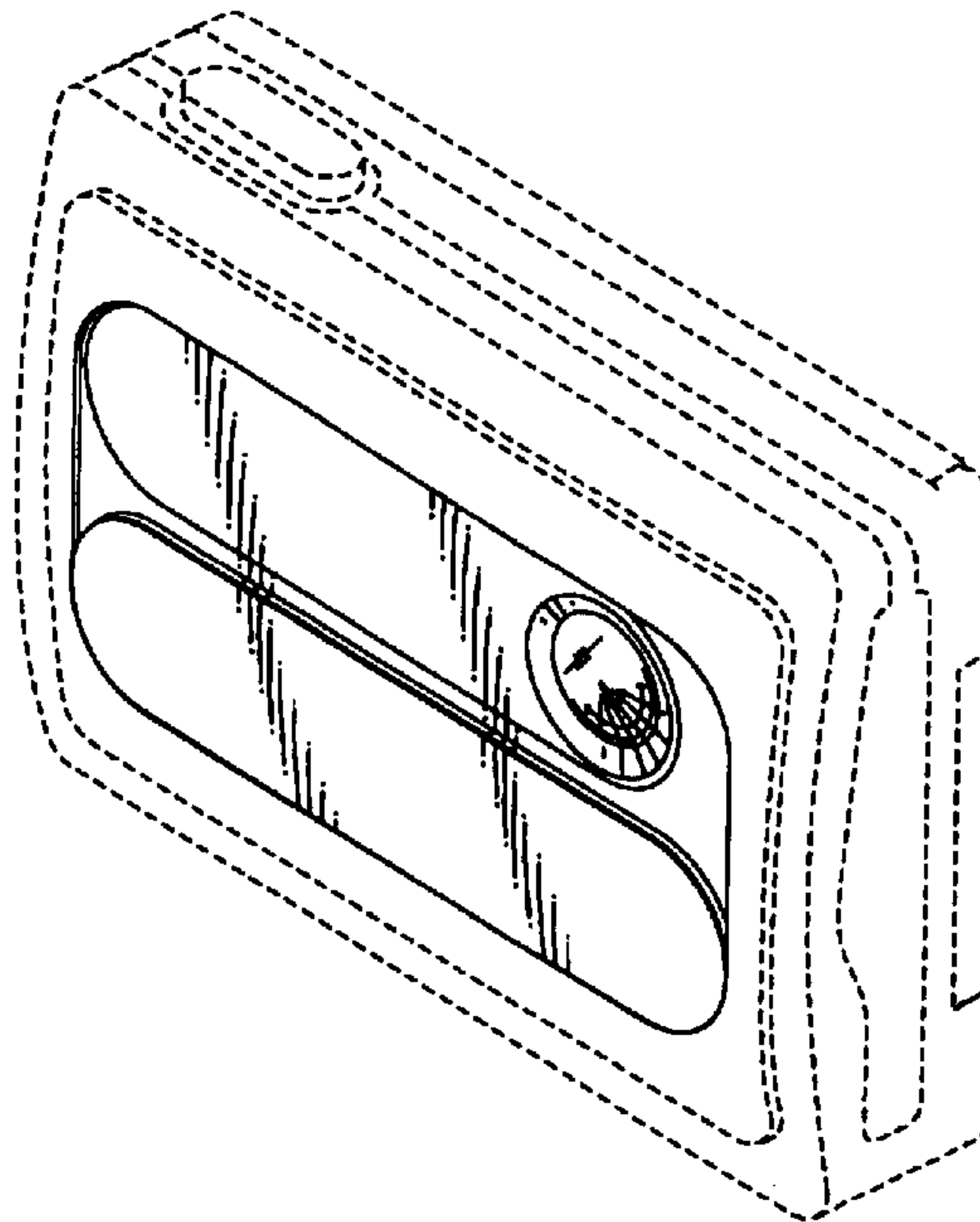
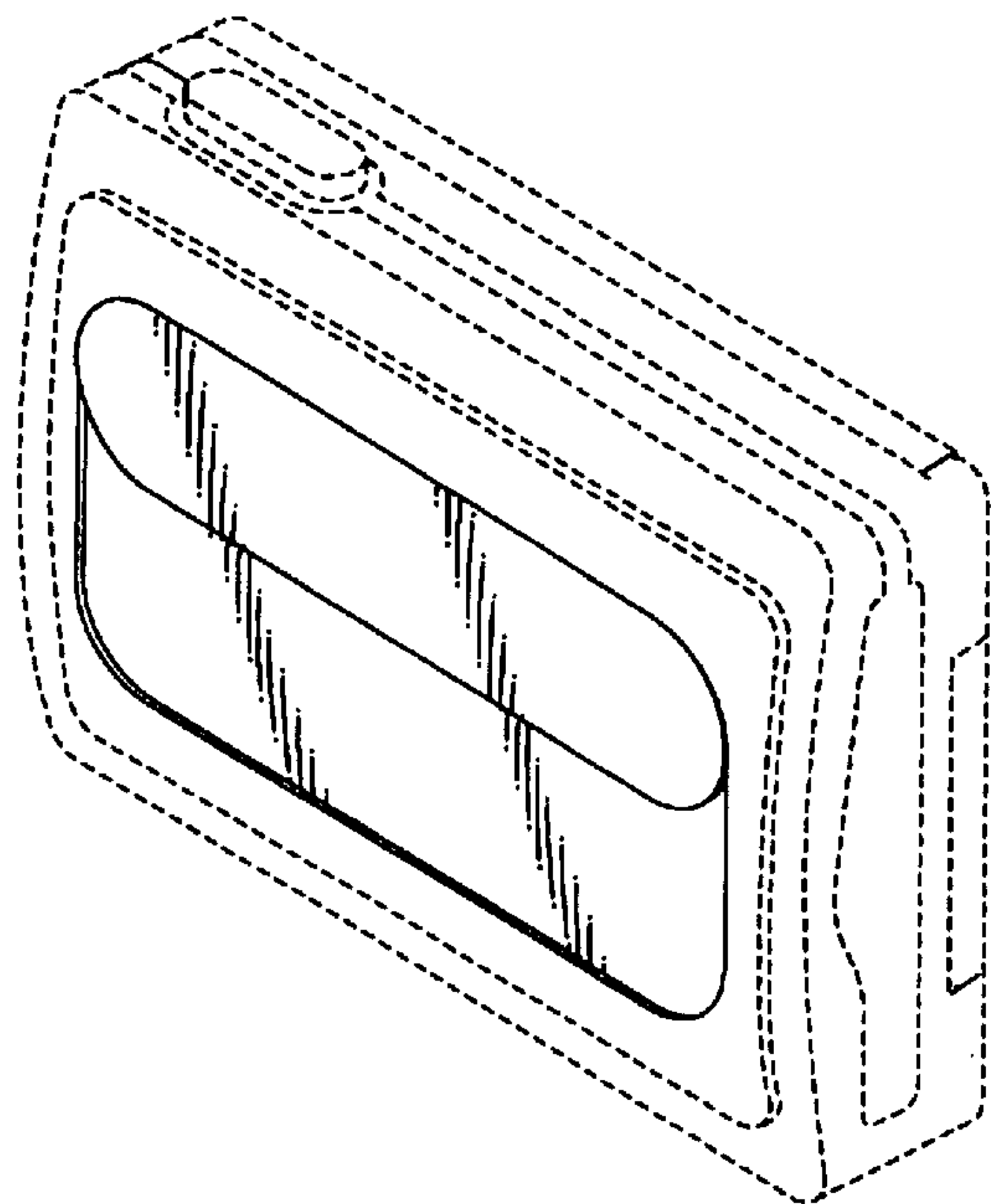


FIG. 1

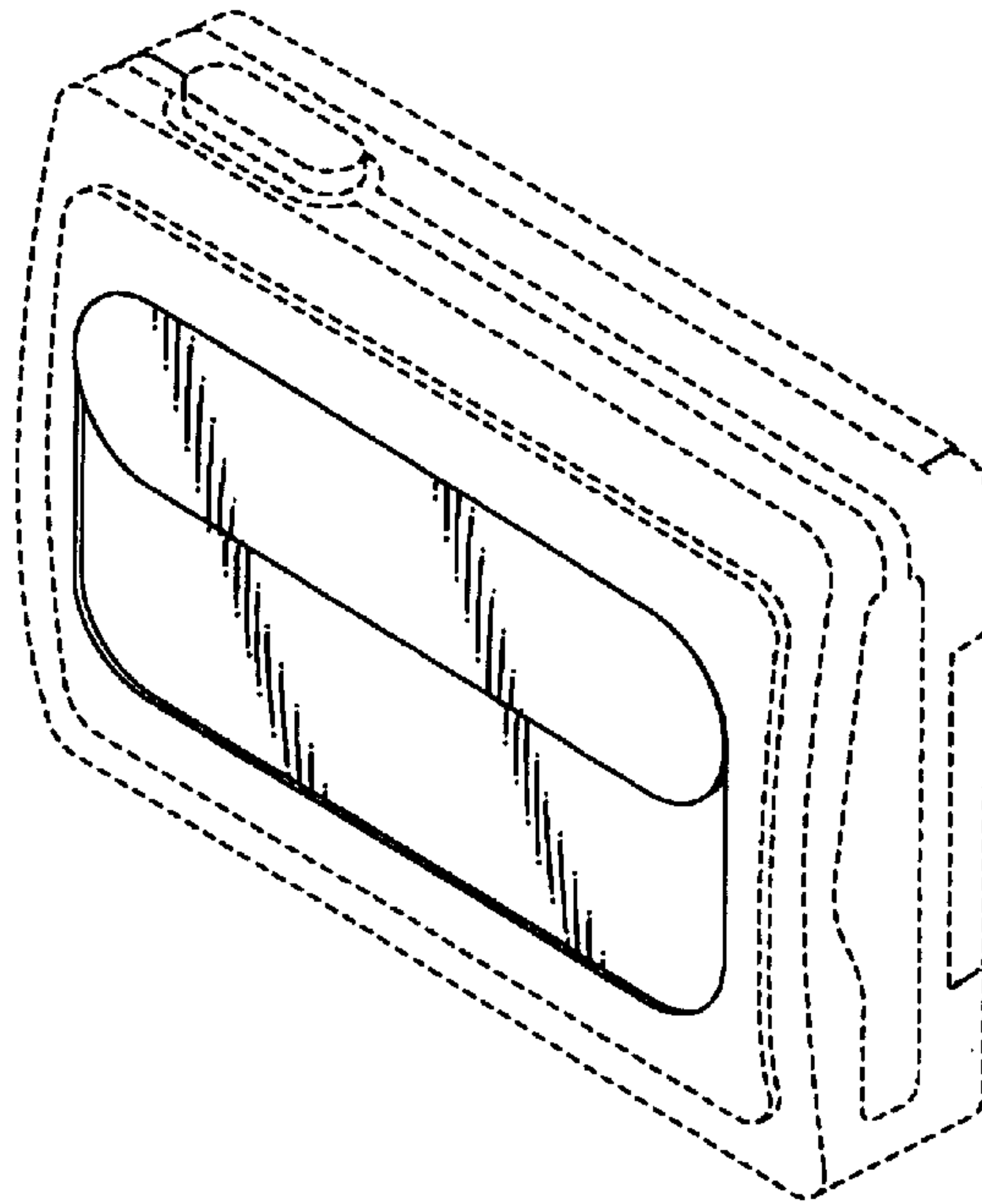


FIG. 2

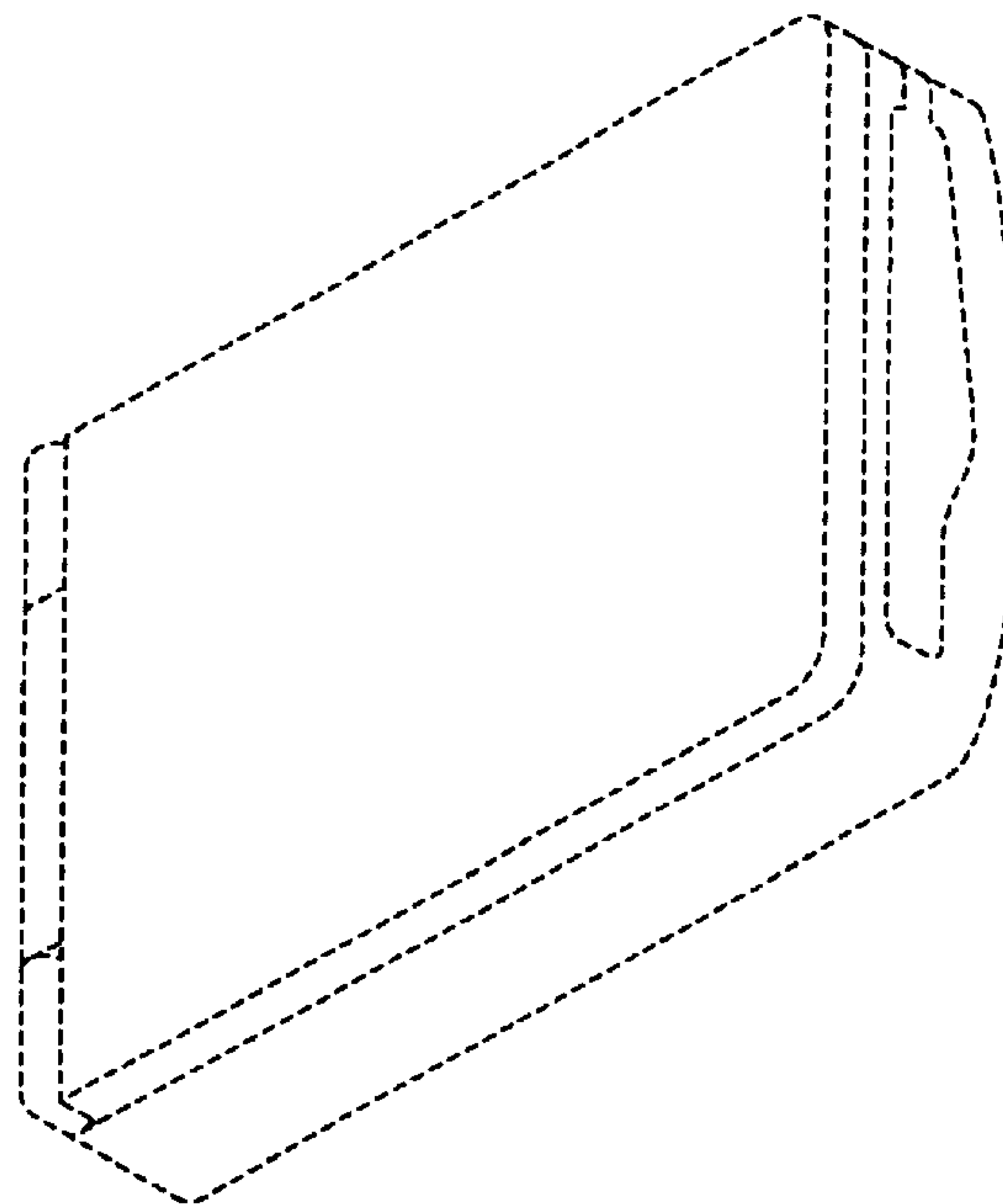


FIG. 3

