



US00D544009S

(12) **United States Design Patent**
Alm et al.

(10) **Patent No.:** **US D544,009 S**
(45) **Date of Patent:** **** Jun. 5, 2007**

(54) **CAMERA**

(75) Inventors: **Carl-Axel Alm**, Lund (SE); **Oscar Strand**, Malmo (SE); **Morten Bergstrom**, Klagstorp (SE)

(73) Assignee: **Axis, AB**, Lund (SE)

(**) Term: **14 Years**

(21) Appl. No.: **29/228,679**

(22) Filed: **Apr. 27, 2005**

(30) **Foreign Application Priority Data**

Nov. 4, 2004 (EM) 000249354

(51) **LOC (8) Cl.** **16-01**

(52) **U.S. Cl.** **D16/203; D16/200; D16/202**

(58) **Field of Classification Search** D16/200-205,
D16/208, 218, 230, 231; 348/373-376; 358/906,
358/909.1; 396/427, 535-541

See application file for complete search history.

(56) **References Cited**

U.S. PATENT DOCUMENTS

D277,961 S * 3/1985 Shimizu et al. D16/202
D303,674 S * 9/1989 Shimizu et al. D16/202
6,683,654 B1 * 1/2004 Haijima 348/374
6,830,387 B2 * 12/2004 Rife 396/427
D512,087 S * 11/2005 Kato et al. D16/203

D524,785 S * 7/2006 Huang D16/208
D527,404 S * 8/2006 Brickzin D16/203
D528,143 S * 9/2006 Walter et al. D16/203

* cited by examiner

Primary Examiner—Ian Simmons

Assistant Examiner—W. Laymon

(74) *Attorney, Agent, or Firm*—IP Creators; Charles C. Cary

(57) **CLAIM**

The ornamental design for a camera, as shown and described.

DESCRIPTION

FIG. 1 is a top front left perspective view of a camera showing our new design;

FIG. 2 is a bottom rear right perspective view thereof;

FIG. 3 is a bottom plan view thereof;

FIG. 4 is a right side elevational view thereof;

FIG. 5 is a front elevational view thereof;

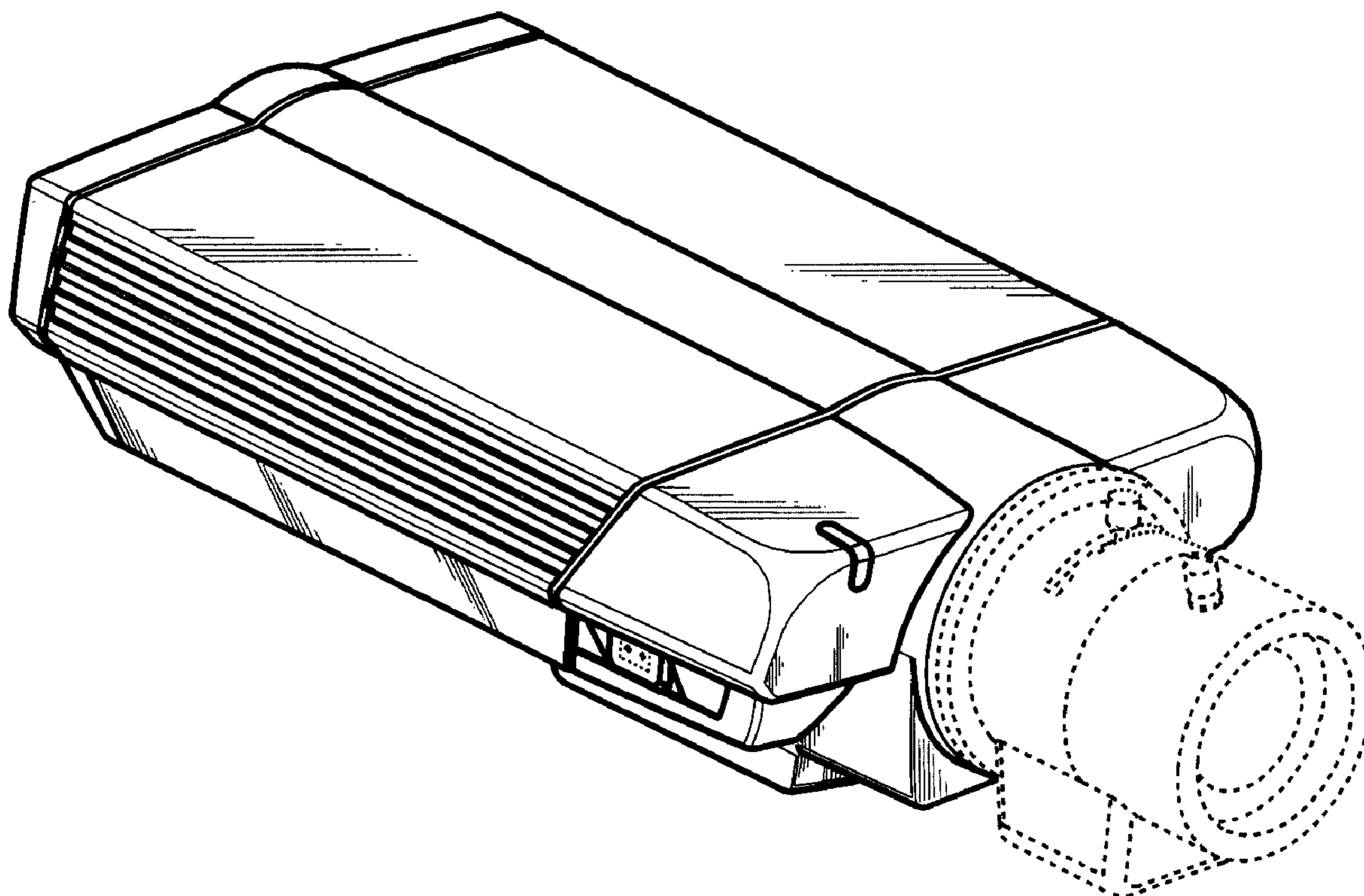
FIG. 6 is a rear elevational view thereof;

FIG. 7 is a top plan view thereof; and,

FIG. 8 is a left side elevational view thereof.

The portions of the camera in broken lines are shown for illustrative purposes only and form no part of the claimed design.

1 Claim, 8 Drawing Sheets



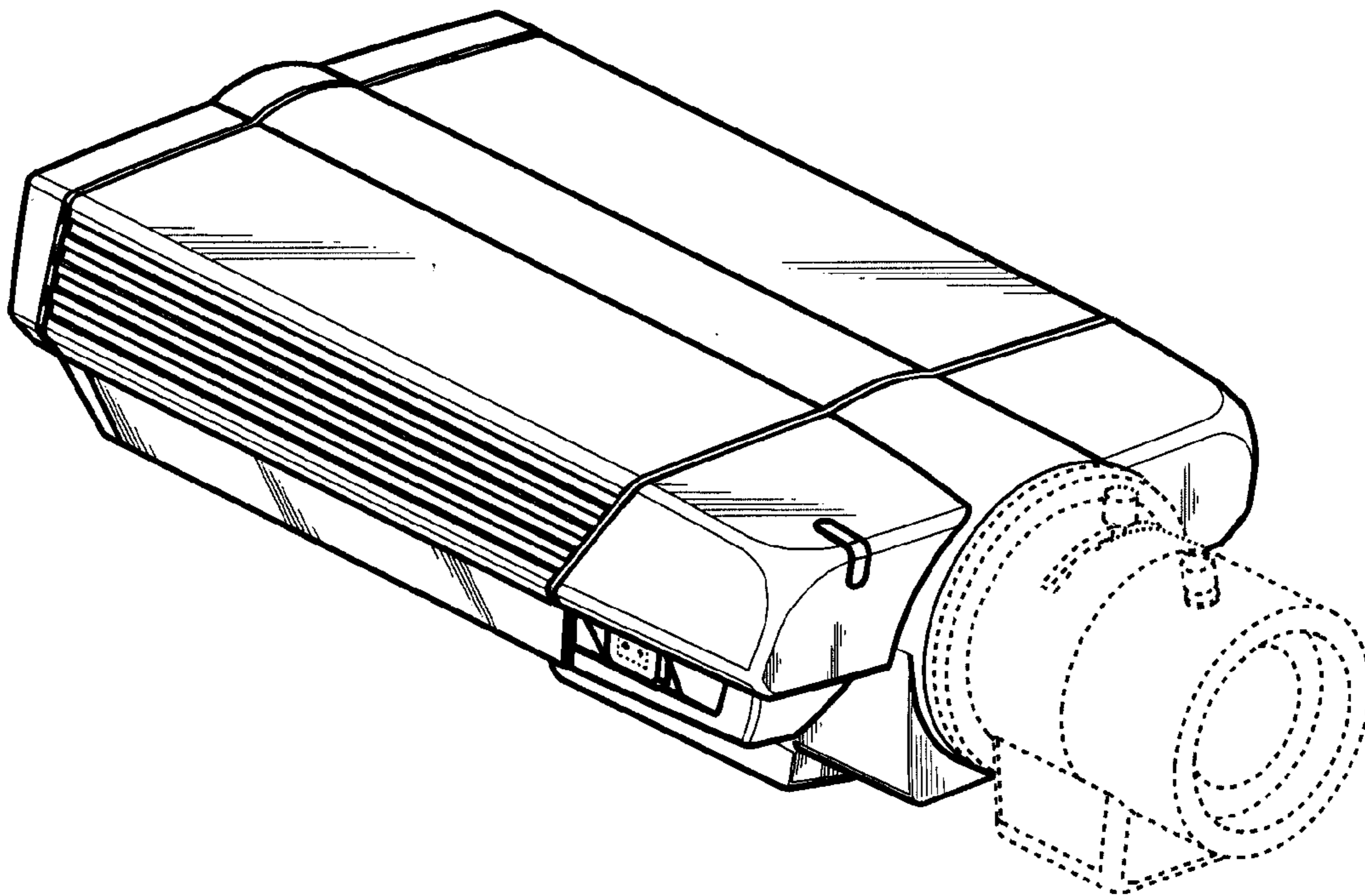


Figure 1

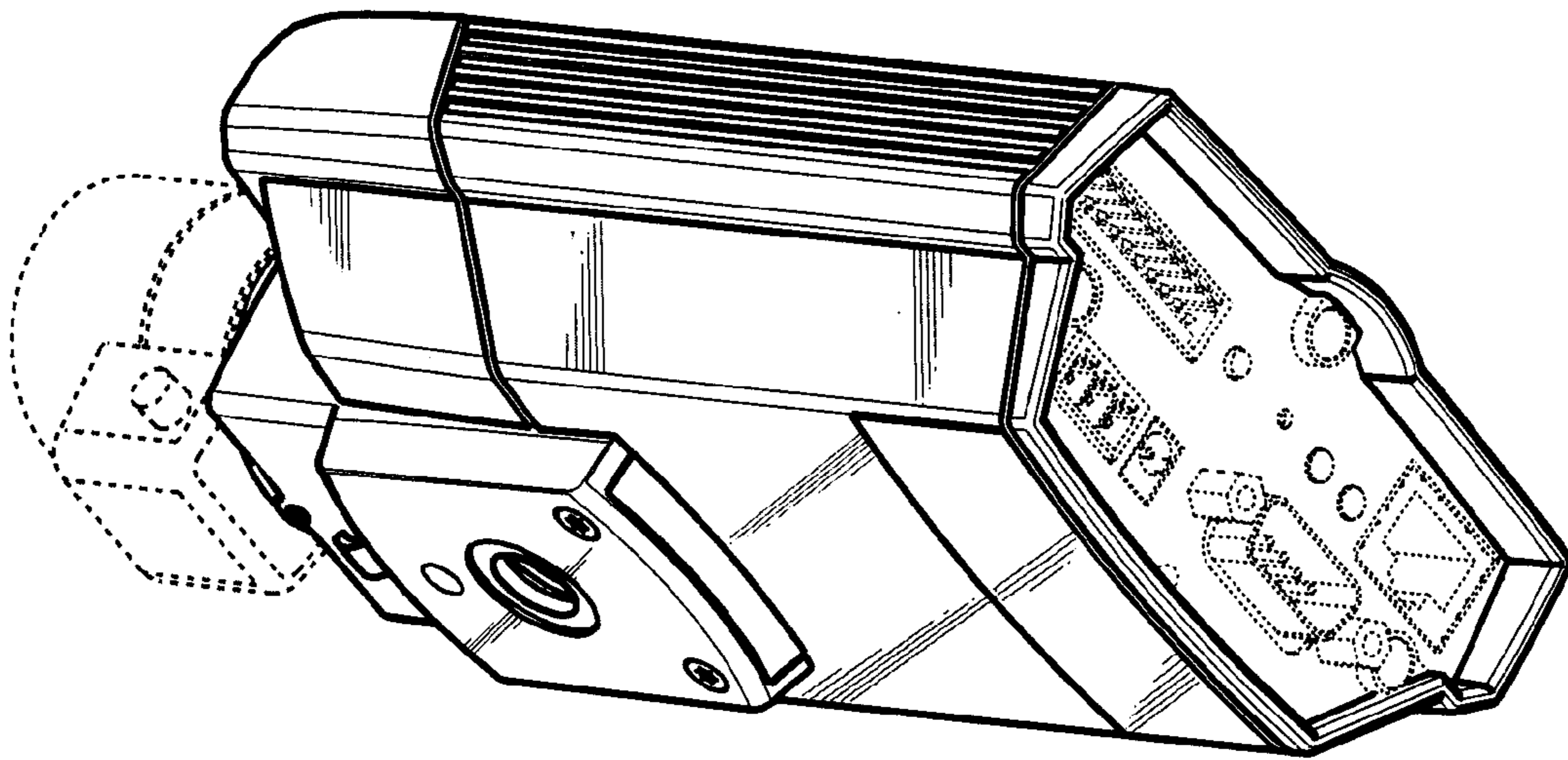


Figure 2

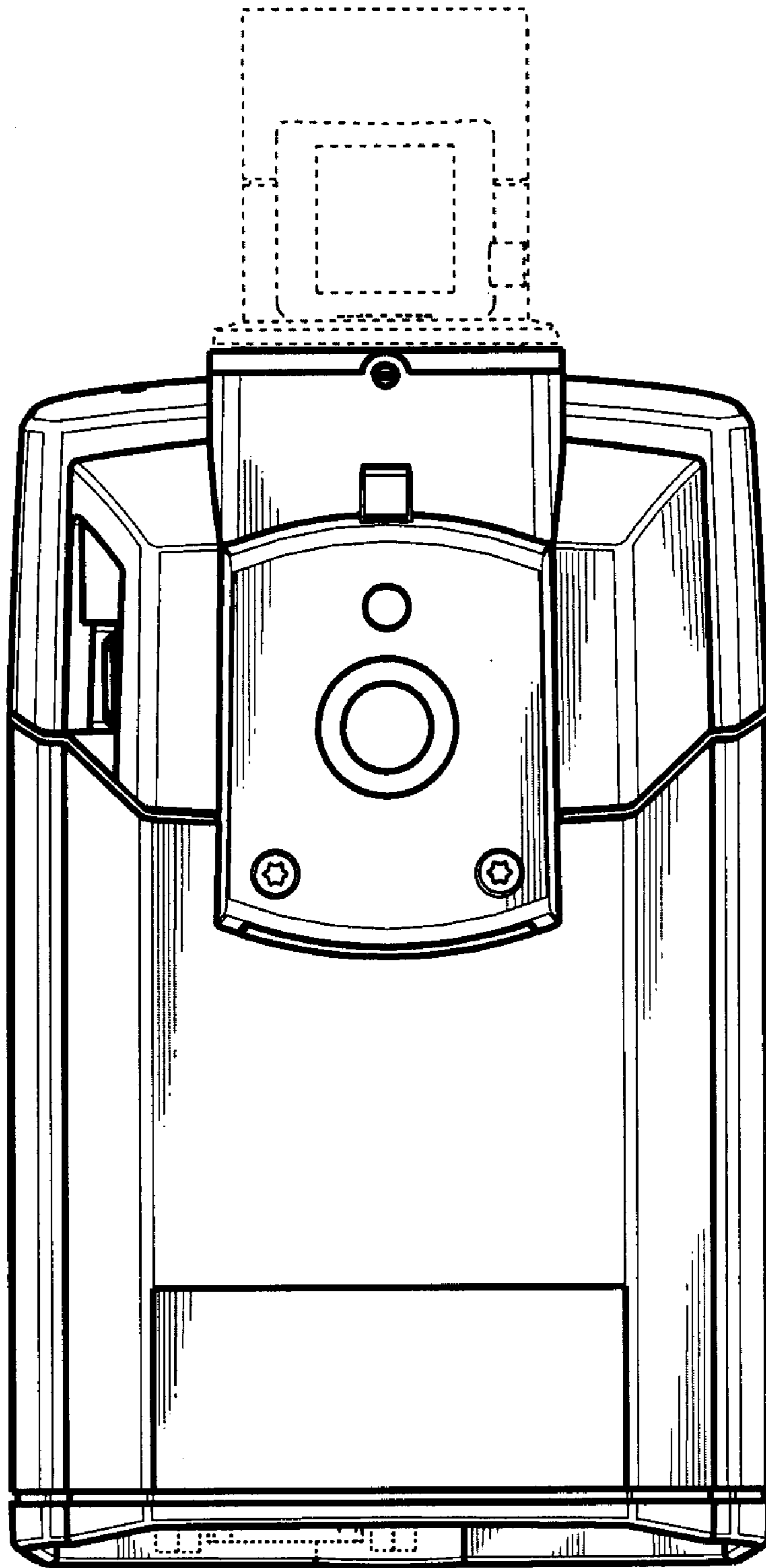


Figure 3

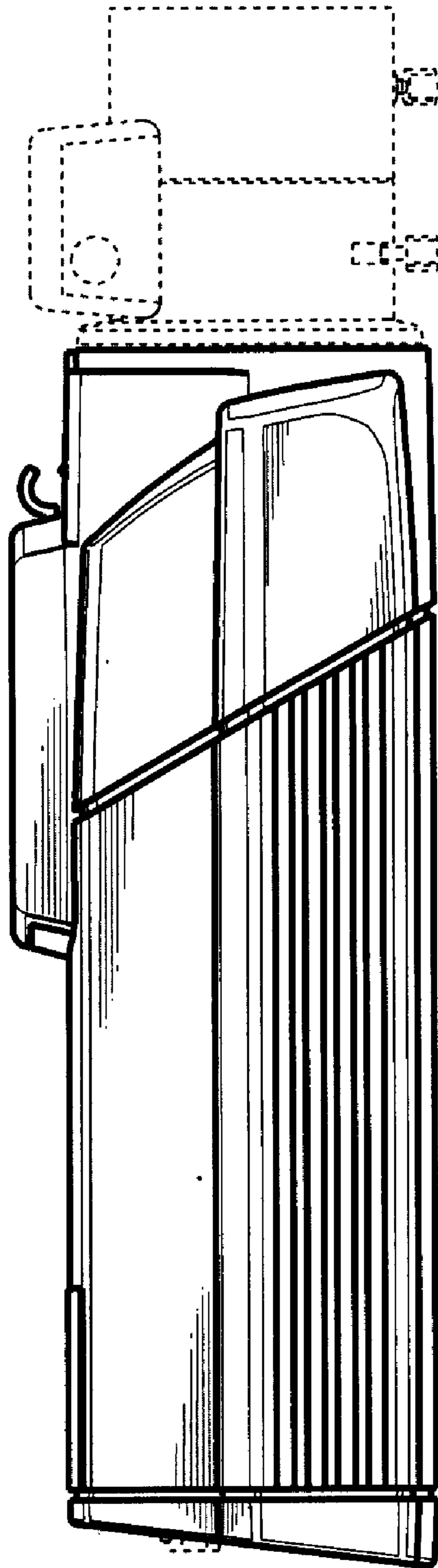


Figure 4

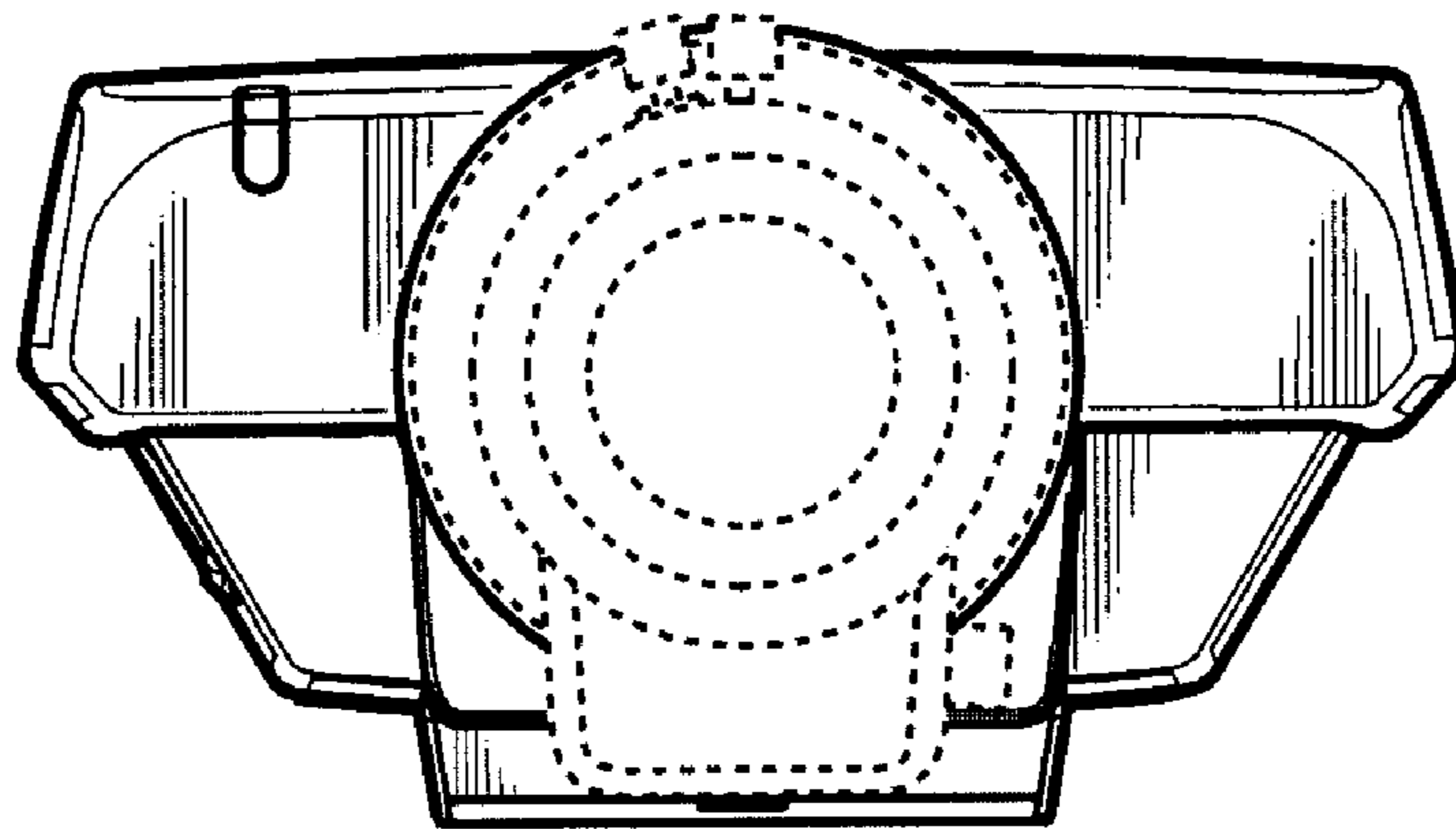


Figure 5

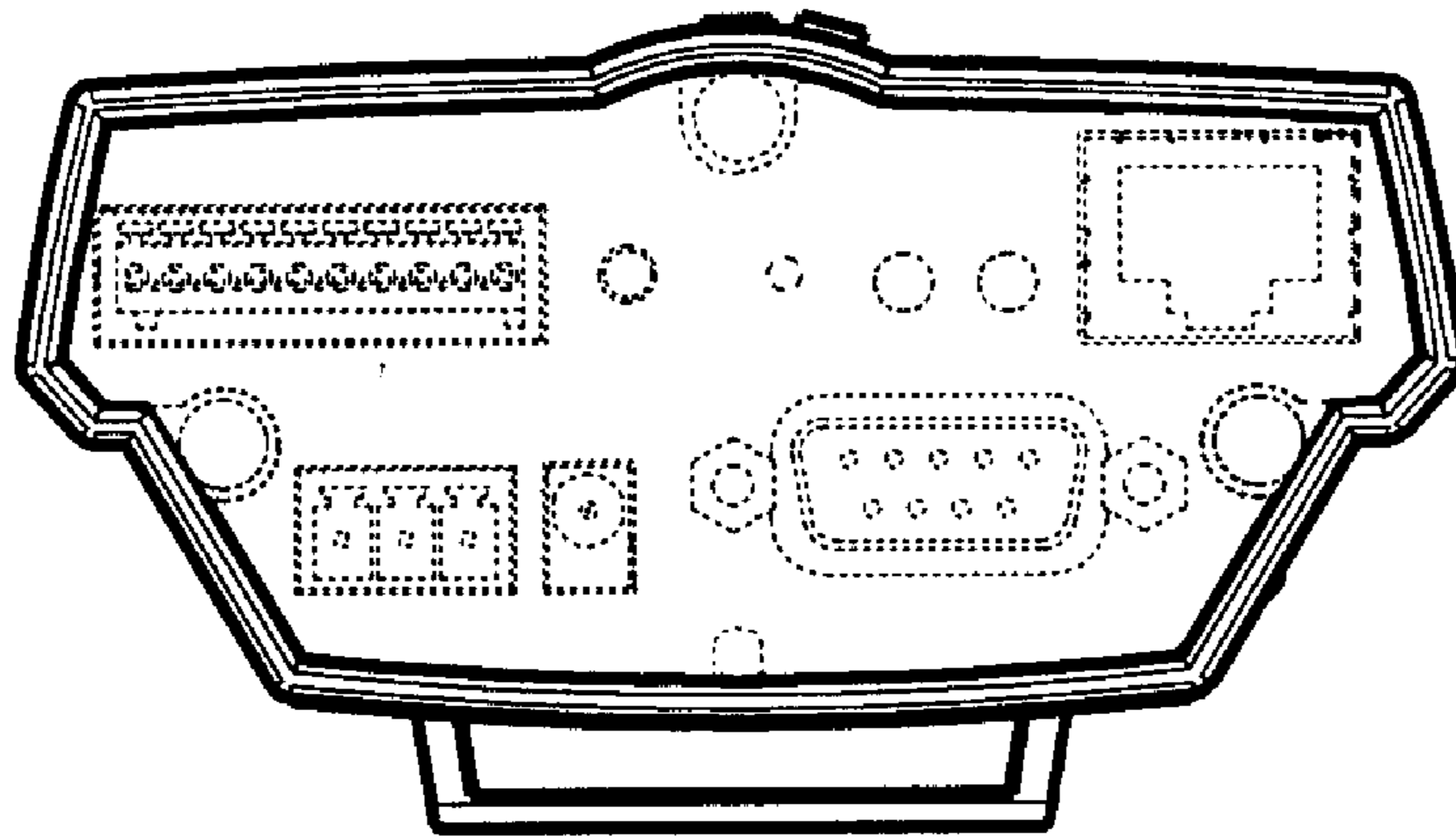


Figure 6

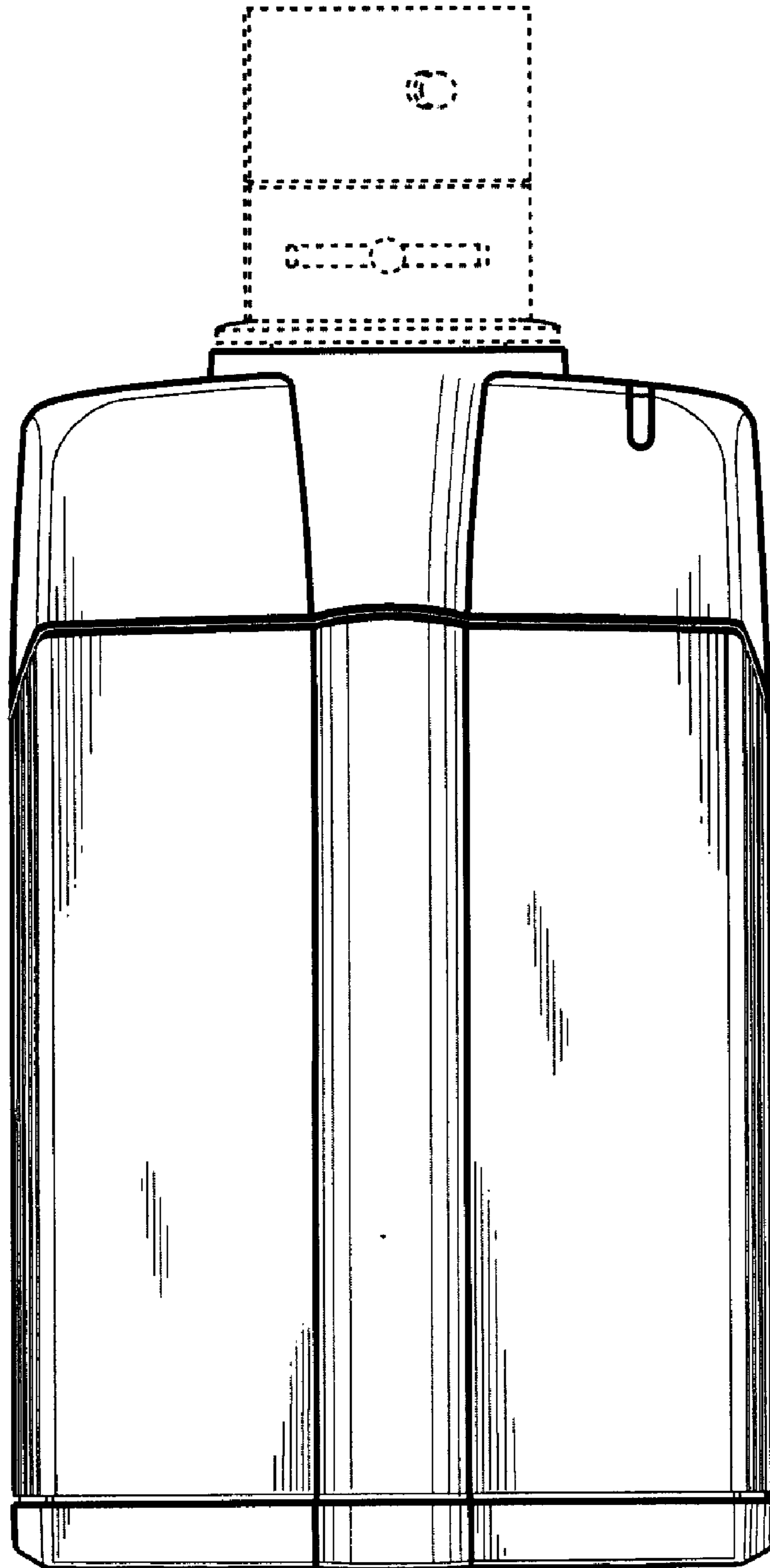


Figure 7

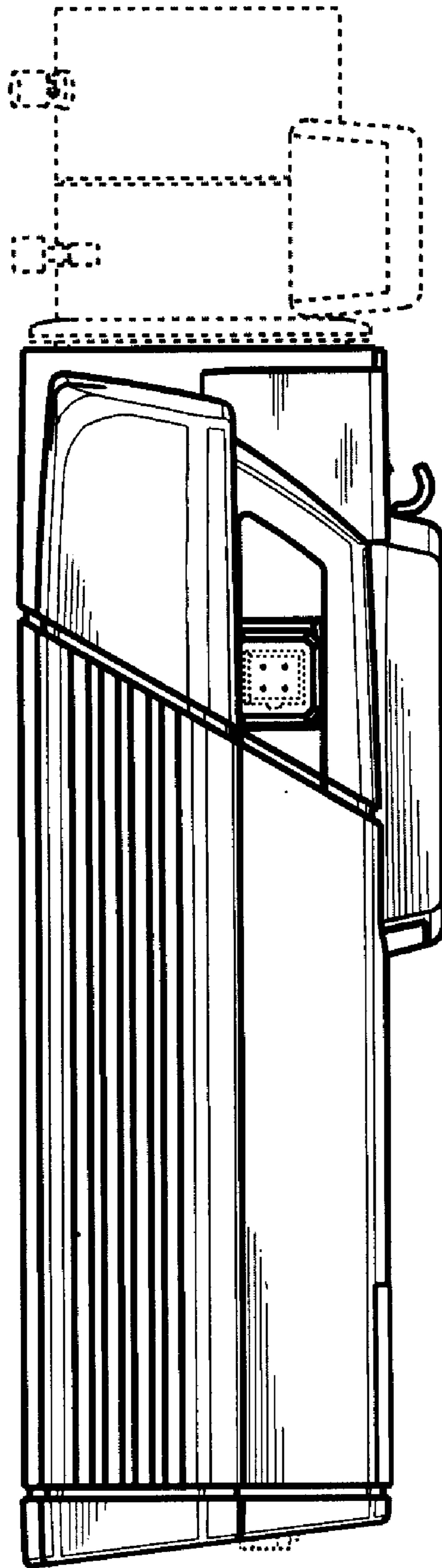


Figure 8