



US00D544008S

(12) **United States Design Patent**  
**Stewart**

(10) **Patent No.:** **US D544,008 S**

(45) **Date of Patent:** **\*\* Jun. 5, 2007**

(54) **ILLUMINATED LOUPE**

(75) **Inventor:** **Neil Stewart**, 4041 Renn Hart Hills Rd.  
Apt. 56, Loves Park, IL (US) 61111

(73) **Assignee:** **Neil Stewart**, Loves Park, IL (US)

(\*\*) **Term:** **14 Years**

(21) **Appl. No.:** **29/247,237**

(22) **Filed:** **Jun. 8, 2006**

(51) **LOC (8) Cl.** ..... **16-06**

(52) **U.S. Cl.** ..... **D16/135**

(58) **Field of Classification Search** ..... D16/130,  
D16/134, 135, 136, 137, 227; D26/44, 51;  
362/109, 157, 253, 309; 359/798, 799, 800,  
359/801, 802, 803, 804, 805, 810, 811, 815,  
359/817

See application file for complete search history.

(56) **References Cited**

**U.S. PATENT DOCUMENTS**

- D143,744 S \* 2/1946 Miles ..... D16/135
- D168,546 S \* 1/1953 Iglar et al. .... D16/135
- 3,945,717 A \* 3/1976 Ryder et al. .... 359/800

- D246,045 S \* 10/1977 Suzuki ..... D16/227
- D246,047 S \* 10/1977 Zalman ..... D16/135
- D305,664 S \* 1/1990 Speaker ..... D16/135
- D306,175 S \* 2/1990 Steel et al. .... D16/135
- D336,655 S \* 6/1993 Lee ..... D16/135
- D367,487 S \* 2/1996 Segan ..... D16/135

\* cited by examiner

*Primary Examiner*—Paula A. Greene

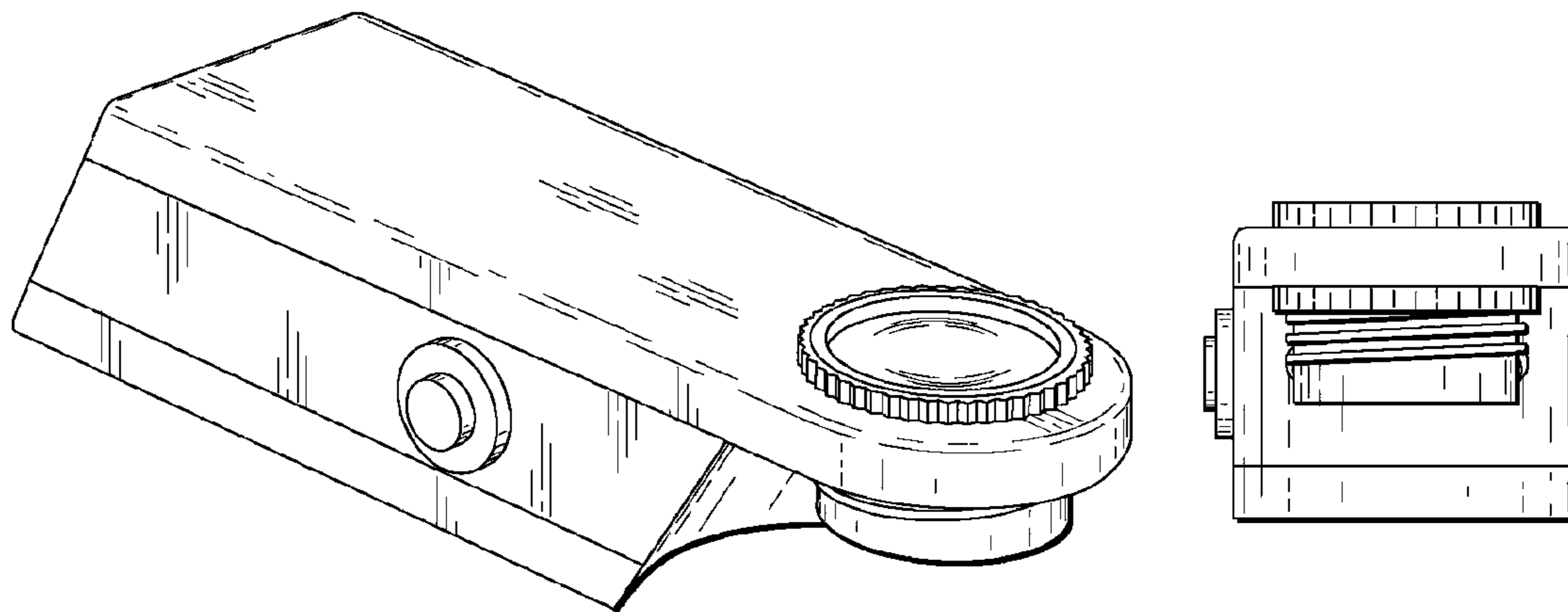
(57) **CLAIM**

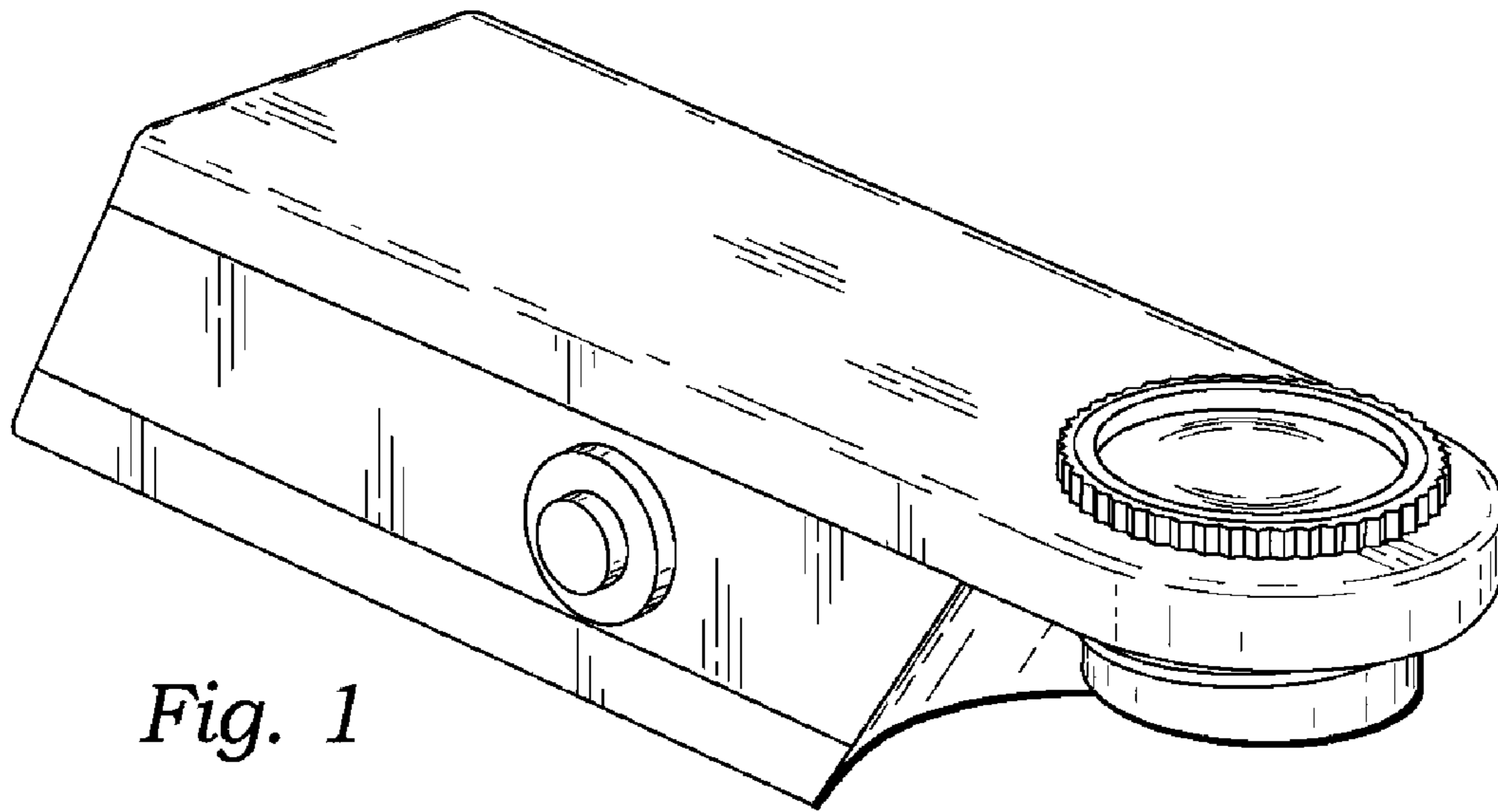
The ornamental design for illuminated loupe, as shown and described.

**DESCRIPTION**

FIG. 1 is a perspective view of the invention;  
 FIG. 2 is a front elevational view of the invention;  
 FIG. 3 is a rear elevational view of the invention;  
 FIG. 4 is a right-side elevational view of the invention;  
 FIG. 5 is a left-side elevational view of the invention;  
 FIG. 6 is a top plan view of the invention; and,  
 FIG. 7 is a bottom plan view of the invention.

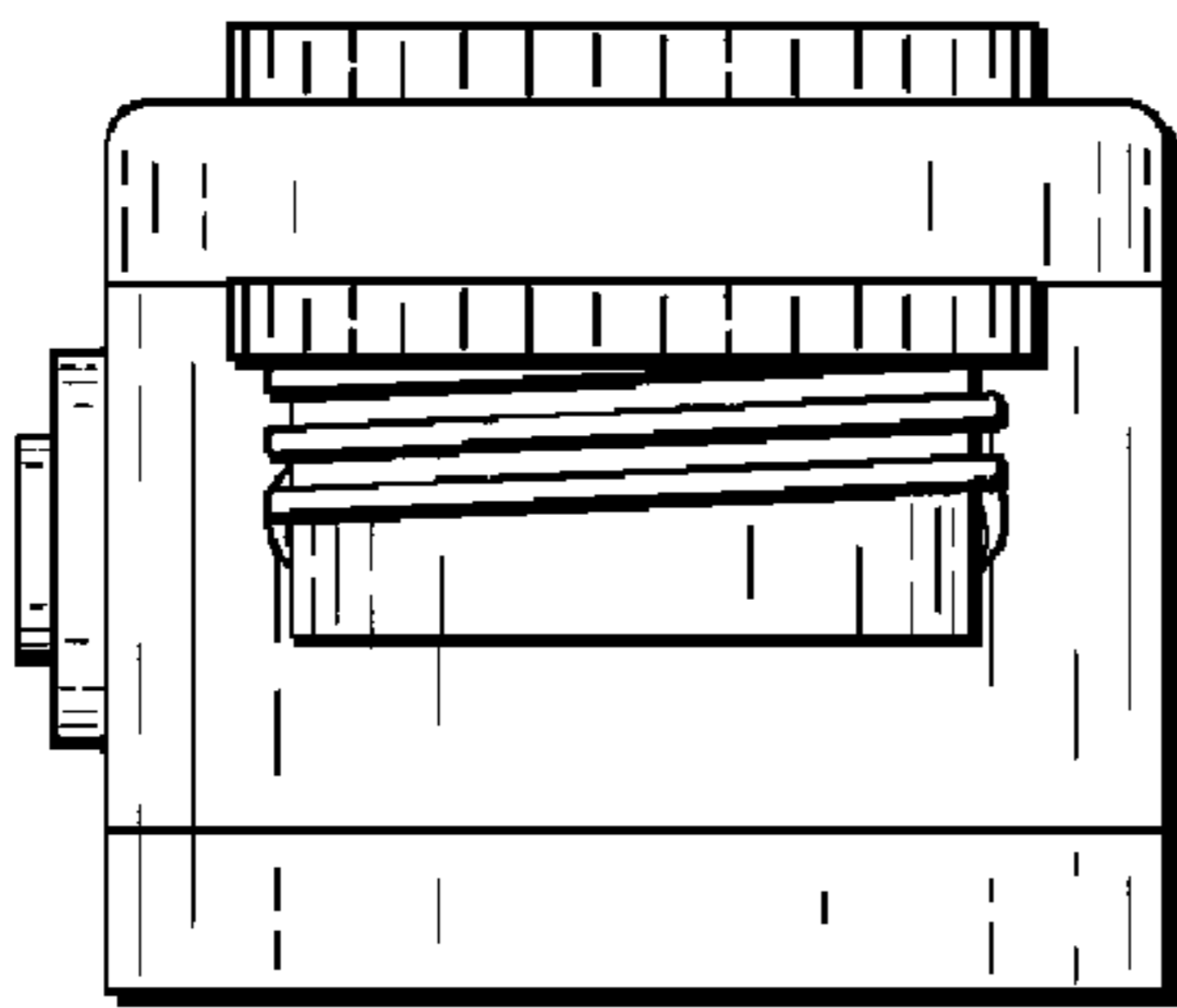
**1 Claim, 2 Drawing Sheets**



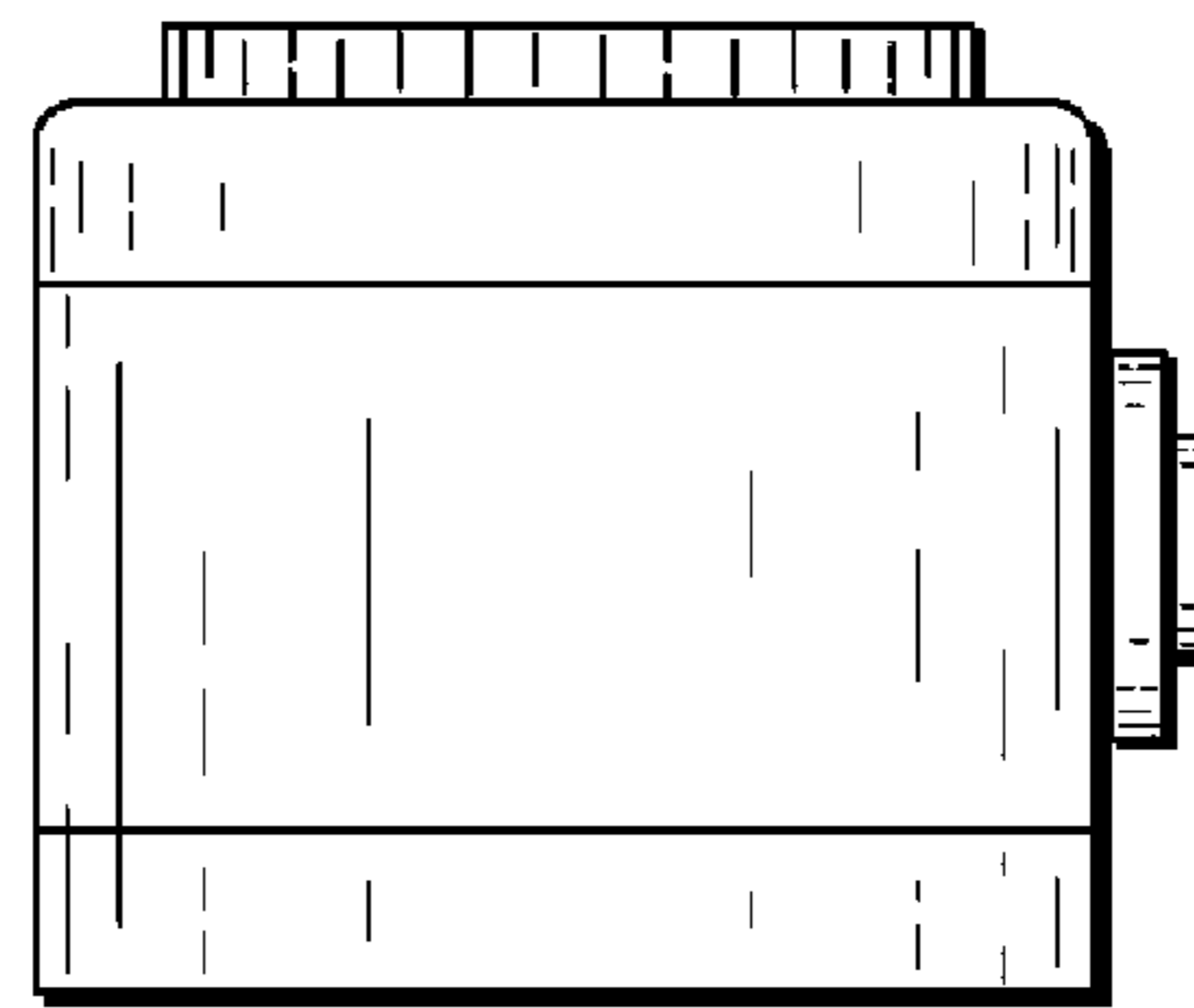


*Fig. 1*

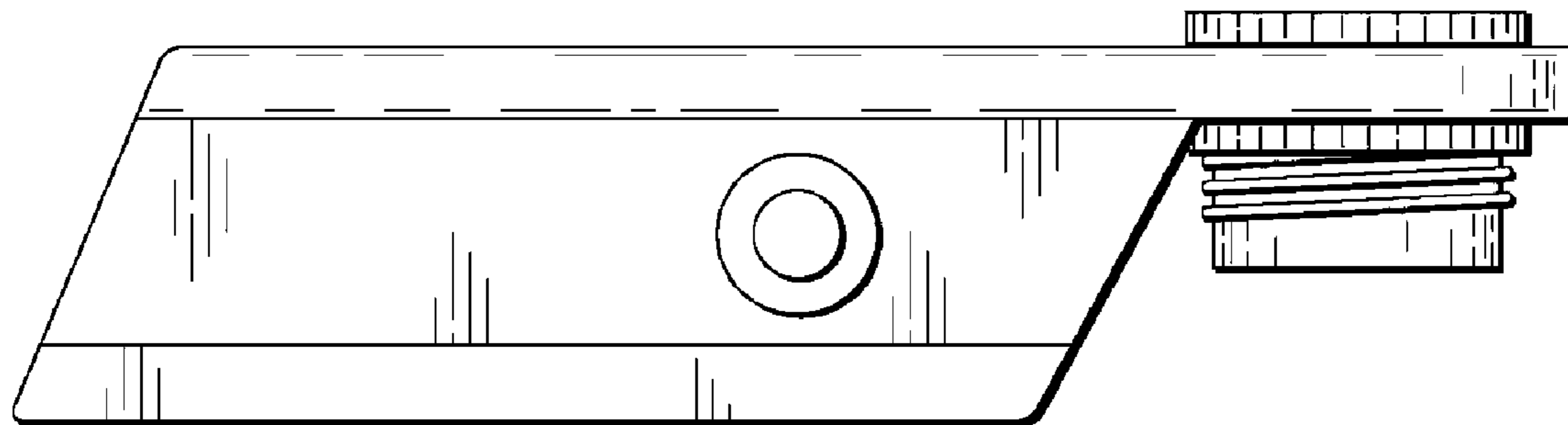
*Fig. 2*



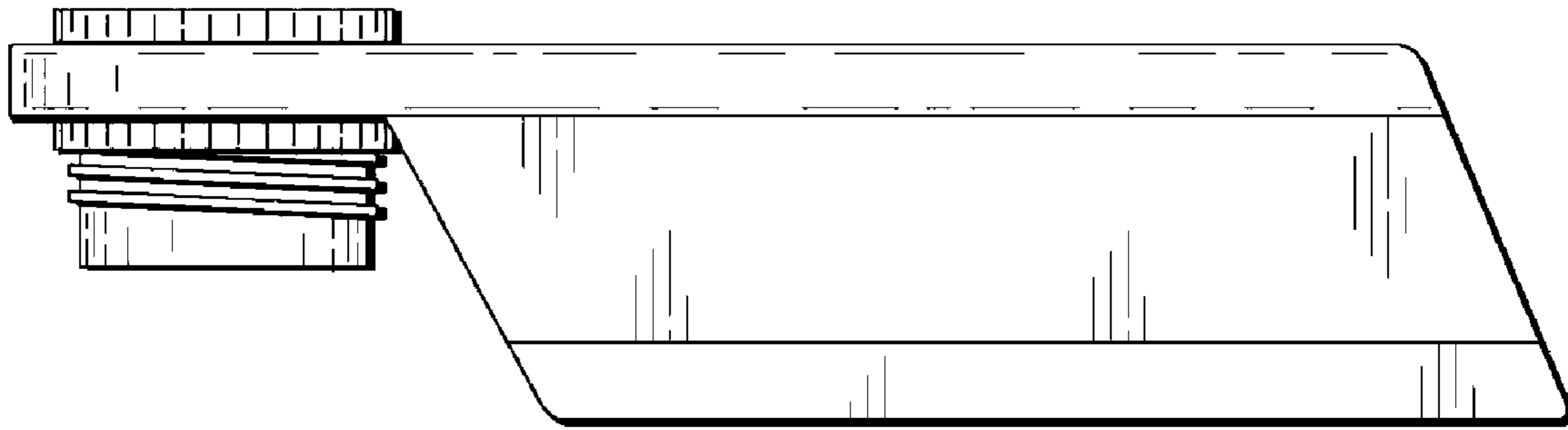
*Fig. 3*



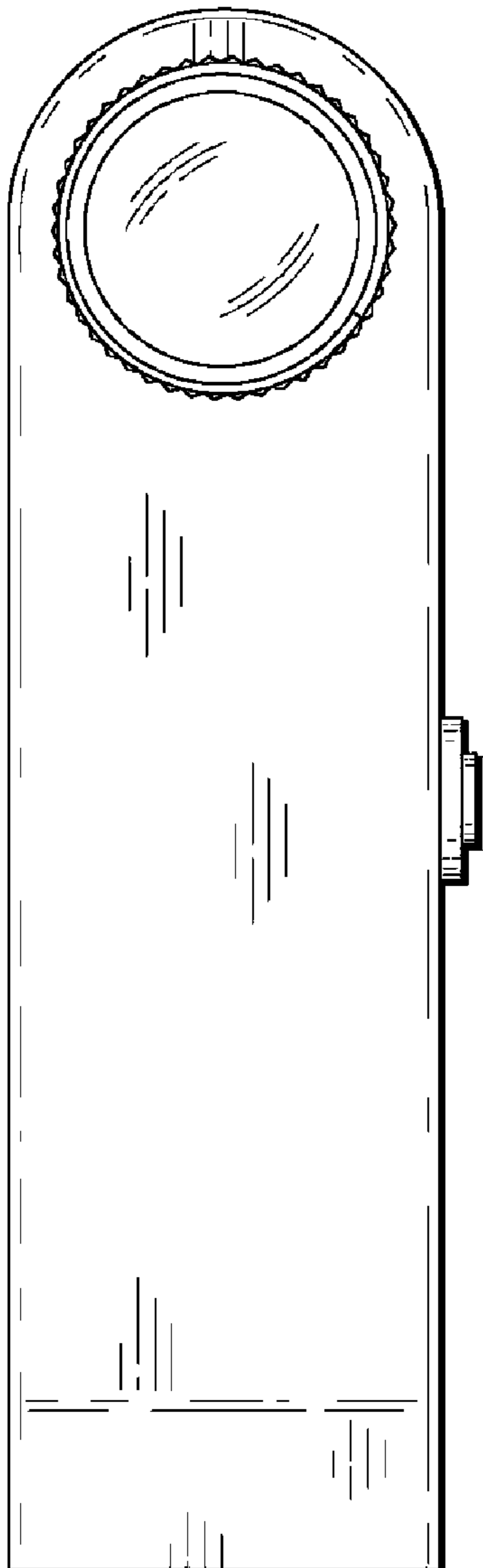
*Fig. 4*



*Fig. 5*



*Fig. 6*



*Fig. 7*

