



US00D544007S

(12) **United States Design Patent**
Marasco

(10) **Patent No.:** **US D544,007 S**
(45) **Date of Patent:** **** Jun. 5, 2007**

(54) **TOOL INTERFACE DEVICE**

(76) Inventor: **Michael Marasco**, 4111 E. Oak St.,
Phoenix, AZ (US) 85008

(**) Term: **14 Years**

(21) Appl. No.: **29/247,732**

(22) Filed: **Jul. 7, 2006**

(51) **LOC (8) Cl.** **15-09**

(52) **U.S. Cl.** **D15/140**

(58) **Field of Classification Search** D8/85,
D8/86; D15/138, 139, 140; 279/1, 19.3-19.6,
279/22, 30, 60-66, 75, 143, 145, 157, 175,
279/901, 902, 908; 408/144, 226, 239 A;
411/414, 416

See application file for complete search history.

(56) **References Cited**

U.S. PATENT DOCUMENTS

3,737,170	A *	6/1973	Wanner et al.	279/60
4,296,656	A *	10/1981	Ernst	D15/140
4,357,845	A	11/1982	Cornia		
5,048,378	A	9/1991	Nikolas		
5,433,850	A	7/1995	Murray		
5,595,464	A	1/1997	Daniels		
5,865,078	A	2/1999	Langford		
D416,267	S *	11/1999	Reilly	D15/139
6,010,154	A	1/2000	Payne		

D429,262	S *	8/2000	Streich	D15/140
6,311,989	B1 *	11/2001	Rosanwo	279/75
6,477,924	B1	11/2002	Talbot		
D479,253	S *	9/2003	Chen	D15/140
6,705,807	B1 *	3/2004	Rudolph et al.	279/77
6,715,384	B1	4/2004	Kozak		
6,901,825	B1	6/2005	Lebron		
D525,634	S *	7/2006	Kotala	D15/138

* cited by examiner

Primary Examiner—Antoine D. Davis

Assistant Examiner—Patricia Palasik

(74) *Attorney, Agent, or Firm*—The Law Firm of Gary F. Witting; Gary F. Witting

(57) **CLAIM**

The ornamental design for a tool interface device, as shown and described.

DESCRIPTION

FIG. 1 is an isometric view of a tool interface device;

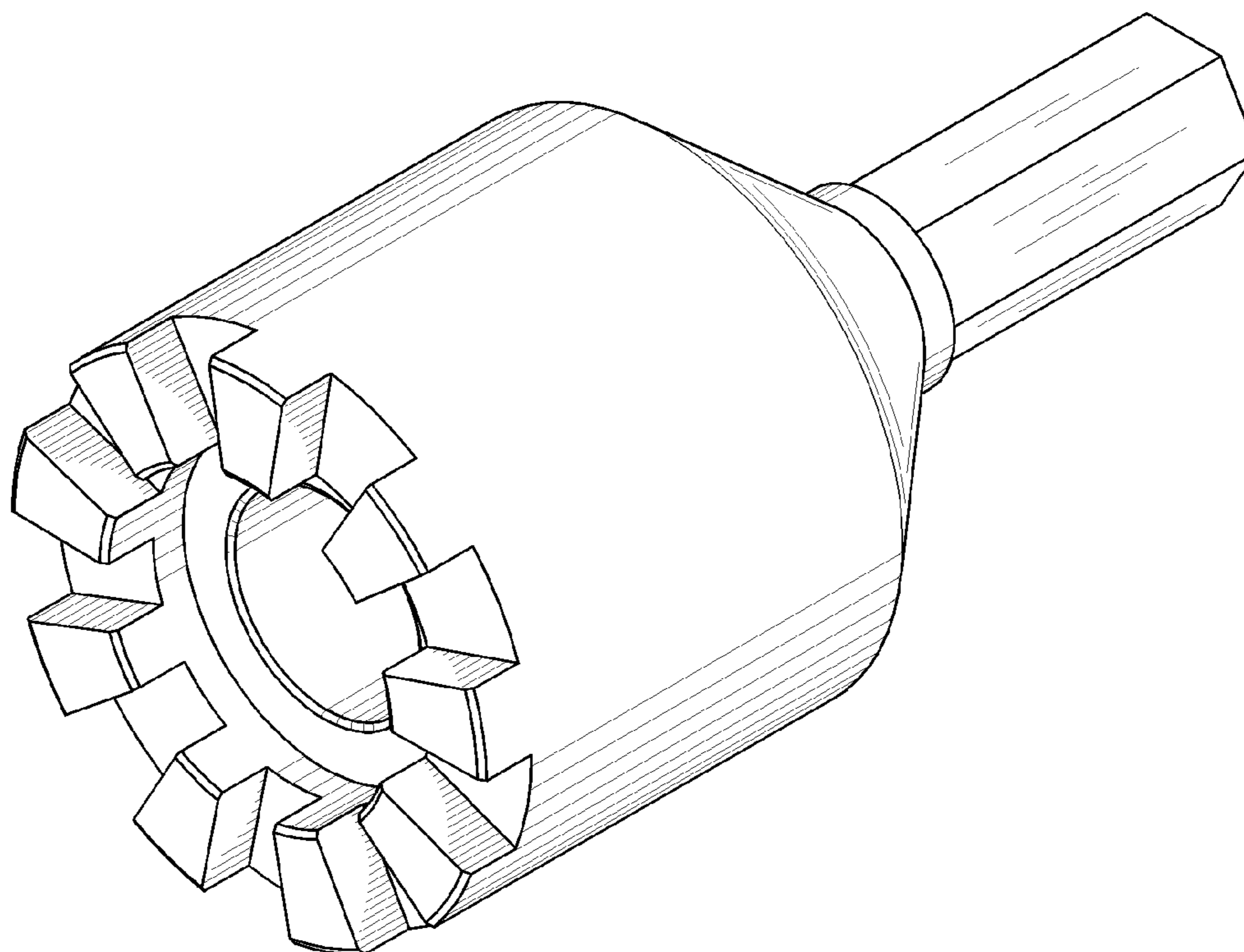
FIG. 2 is a side view of a tool interface device;

FIG. 3 is a side view of the corresponding side of the tool interface device;

FIG. 4 is a bottom view of a tool interface device; and,

FIG. 5 is a top view of a tool interface device.

1 Claim, 2 Drawing Sheets



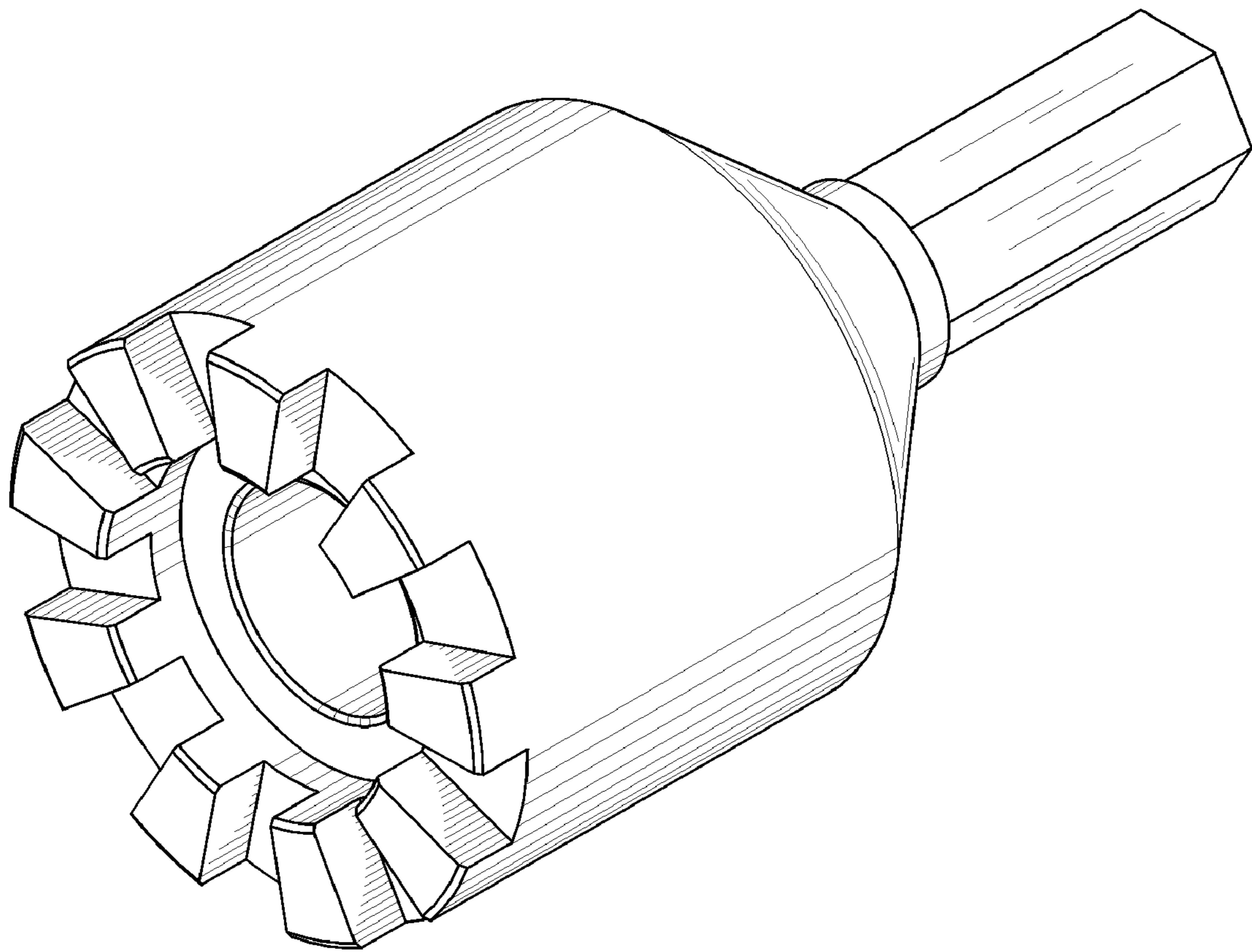


FIG. 1

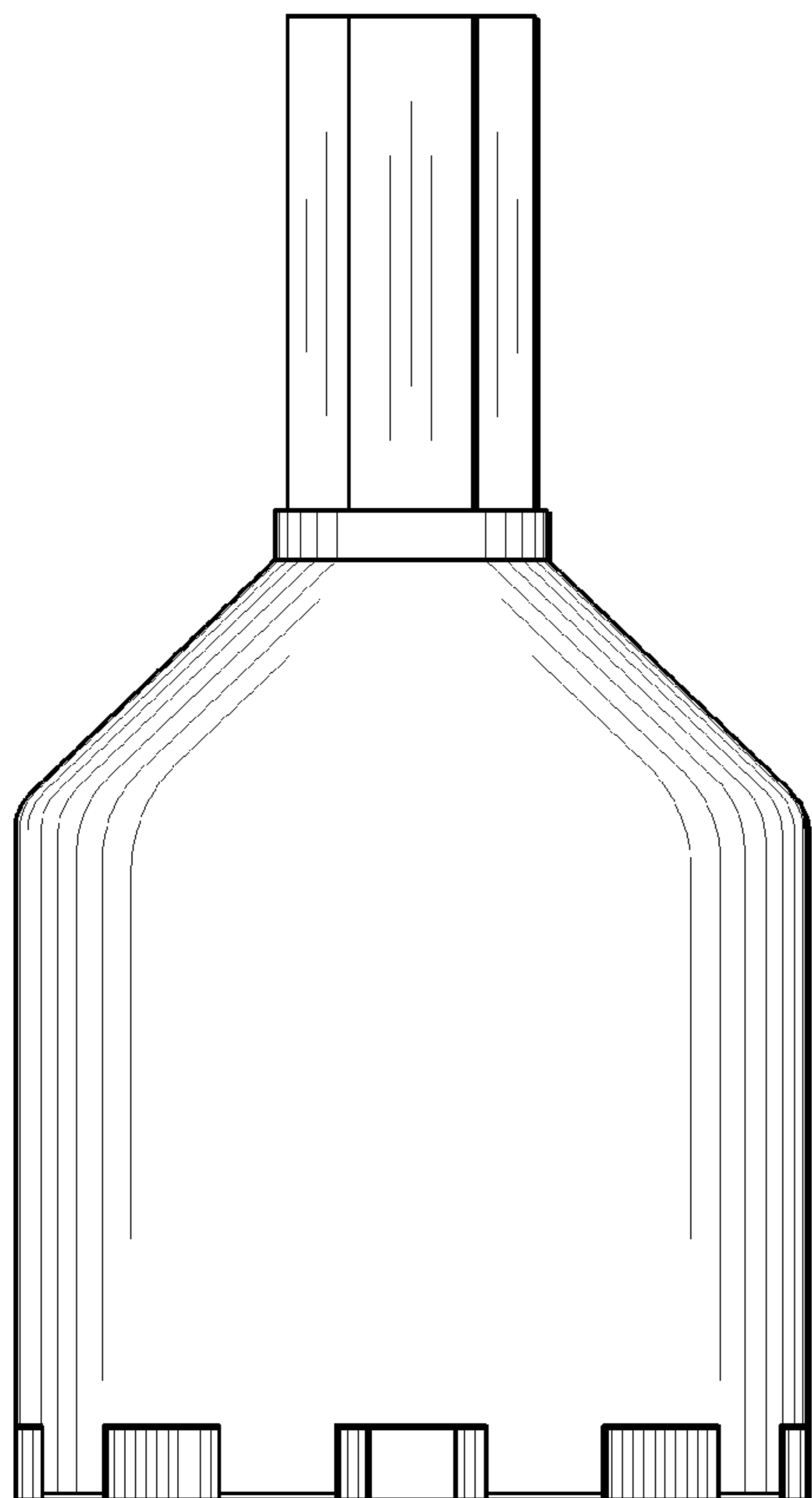


FIG. 2

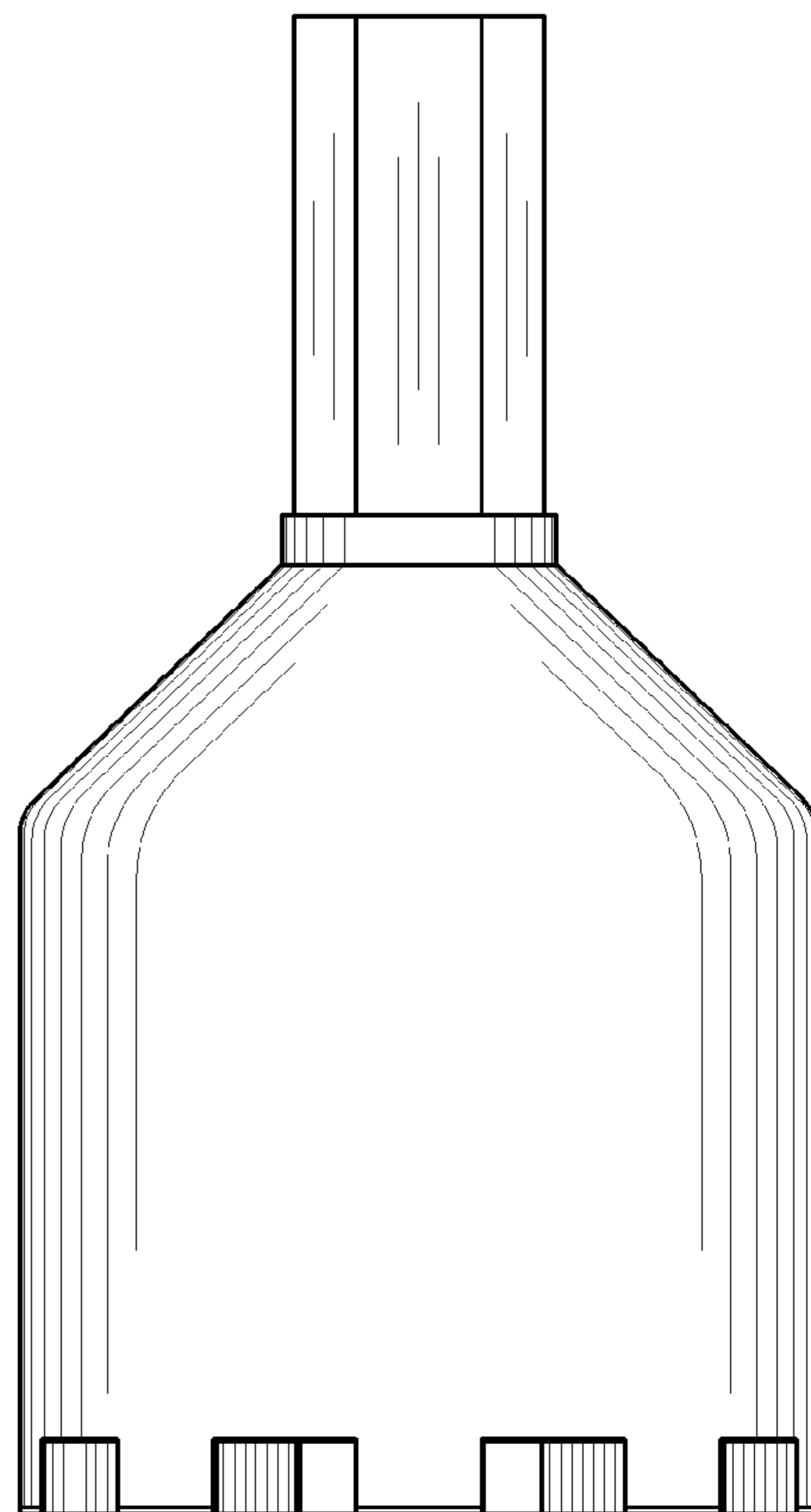


FIG. 3

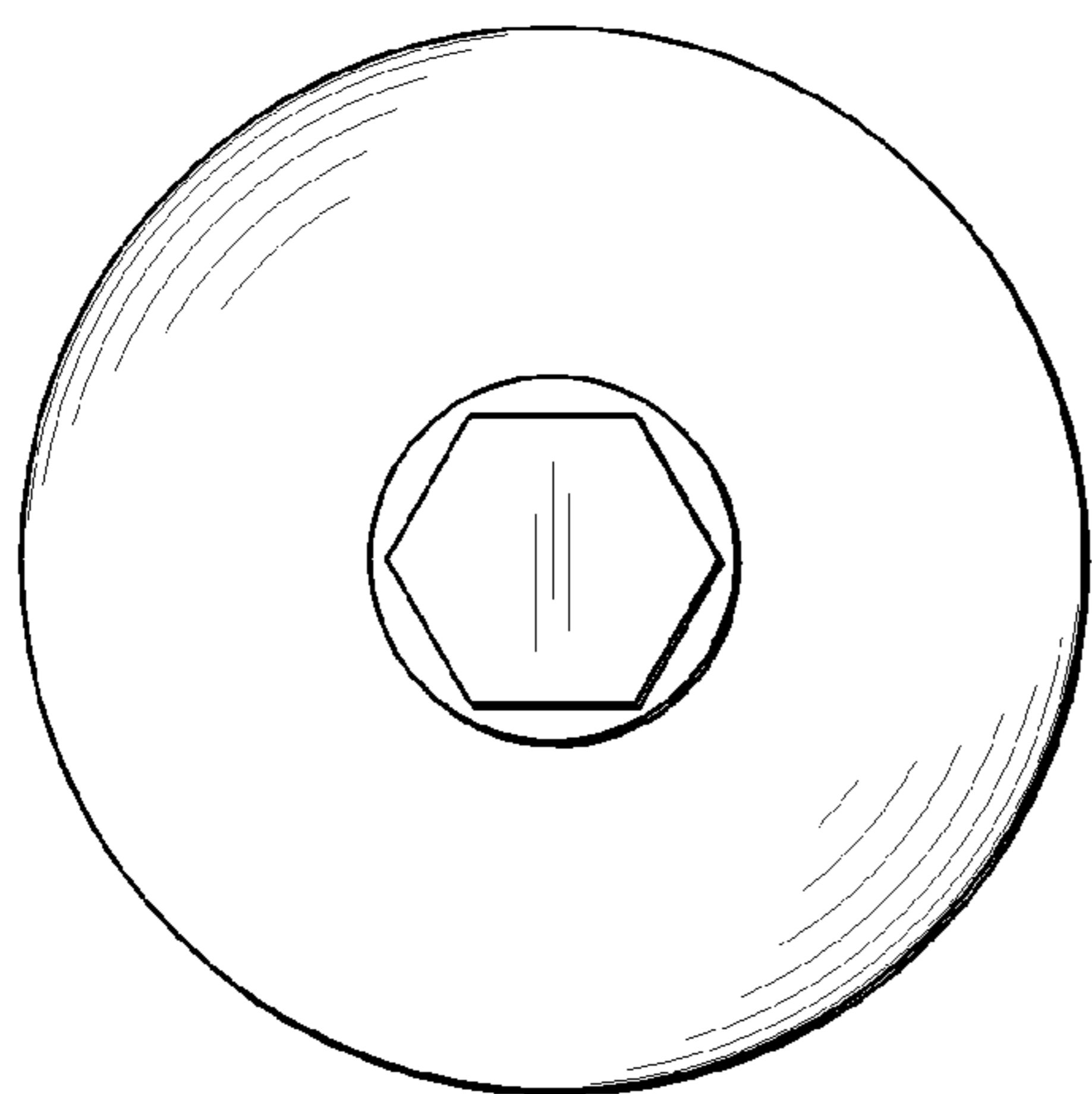


FIG. 4

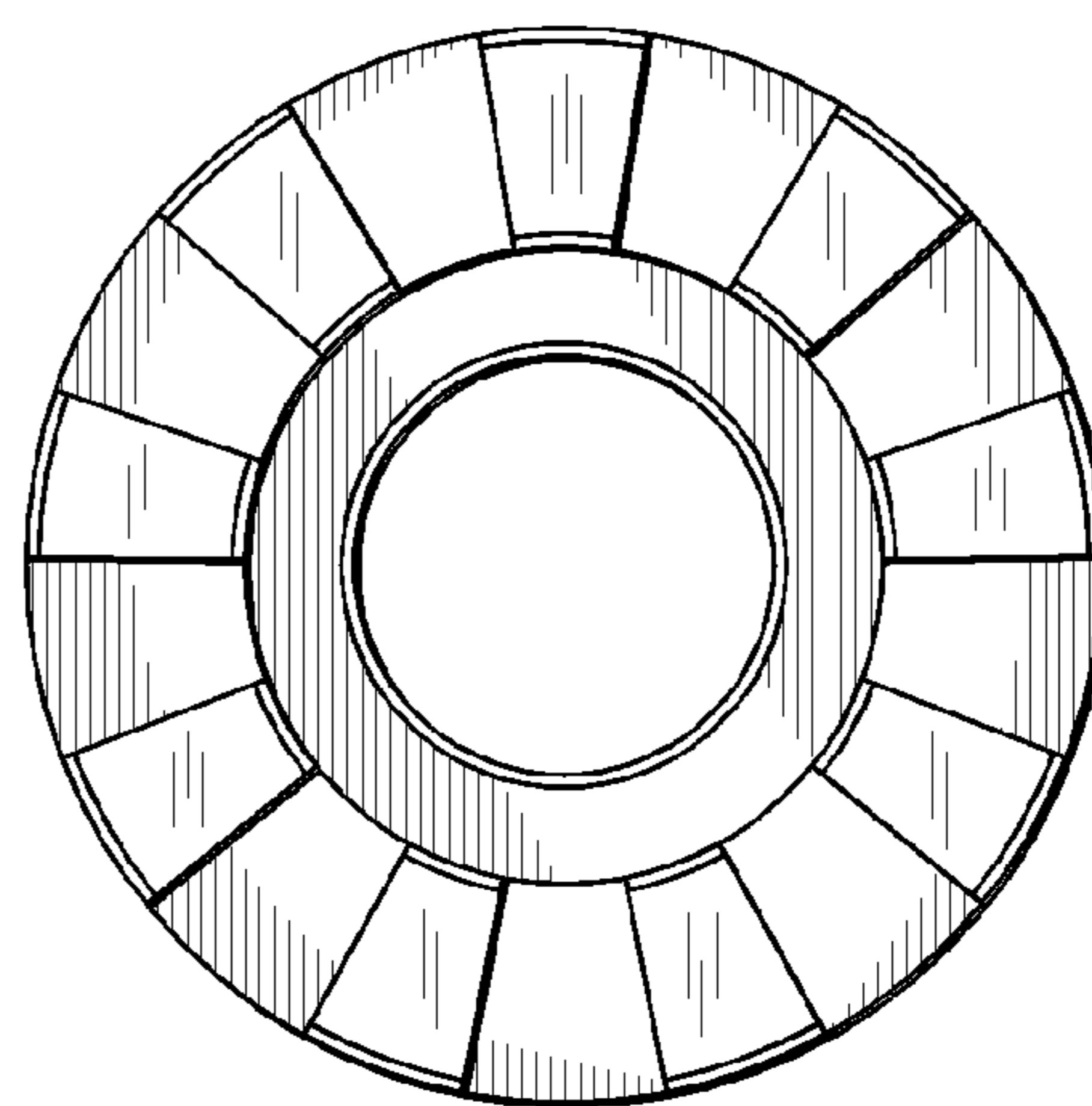


FIG. 5