



US00D544004S

(12) **United States Design Patent**  
**Janness**

(10) **Patent No.:** **US D544,004 S**

(45) **Date of Patent:** **\*\* Jun. 5, 2007**

(54) **SPOT DRILL INSERT**

(76) Inventor: **Daniel Janness**, 6947 Vernmoor Dr.,  
Troy, MI (US) 48098

(\*\*) Term: **14 Years**

(21) Appl. No.: **29/246,806**

(22) Filed: **May 11, 2006**

(51) **LOC (8) Cl.** ..... **15-09**

(52) **U.S. Cl.** ..... **D15/139**

(58) **Field of Classification Search** ..... D15/138,  
D15/139, 140; 407/113-117

See application file for complete search history.

(56) **References Cited**

U.S. PATENT DOCUMENTS

- 3,546,759 A 12/1970 Sirola
- 4,060,335 A 11/1977 Holloway et al.
- 4,175,896 A 11/1979 Kishinami et al.
- 4,251,172 A \* 2/1981 Durand ..... 407/115
- 4,475,851 A \* 10/1984 Hale ..... 407/113
- 4,556,345 A \* 12/1985 Philippi ..... 407/114
- 4,693,641 A 9/1987 Tsujimura et al.
- 4,834,591 A 5/1989 Tsujimura et al.
- 4,840,518 A \* 6/1989 Plutschuck et al. .... 407/113
- 4,919,573 A 4/1990 Tsujimura et al.
- 5,123,787 A 6/1992 Hunt
- 5,221,162 A 6/1993 Okawa
- D341,604 S \* 11/1993 Hessman ..... D15/139
- 5,536,119 A 7/1996 Werner et al.
- 5,692,860 A 12/1997 Kramer

- D390,238 S \* 2/1998 Fujimoto ..... D15/139
- 5,791,831 A \* 8/1998 Shimano et al. .... 407/113
- 5,904,448 A 5/1999 Lee et al.
- 5,913,643 A 6/1999 Fowler et al.
- 6,071,045 A 6/2000 Janness
- 6,158,927 A 12/2000 Cole et al.
- 6,257,807 B1 \* 7/2001 Heinloth ..... 407/113
- 6,273,651 B1 \* 8/2001 Heinloth et al. .... 407/116
- D526,339 S \* 8/2006 Shanley ..... D15/139
- 2001/0014259 A1 \* 8/2001 Inayama ..... 407/116
- 2006/0147285 A1 \* 7/2006 Mast et al. .... 408/227
- 2006/0280568 A1 \* 12/2006 Craig ..... 407/113

\* cited by examiner

*Primary Examiner*—Antoine D. Davis

*Assistant Examiner*—Patricia Palasik

(74) *Attorney, Agent, or Firm*—Howard & Howard  
Attorneys, P.C.

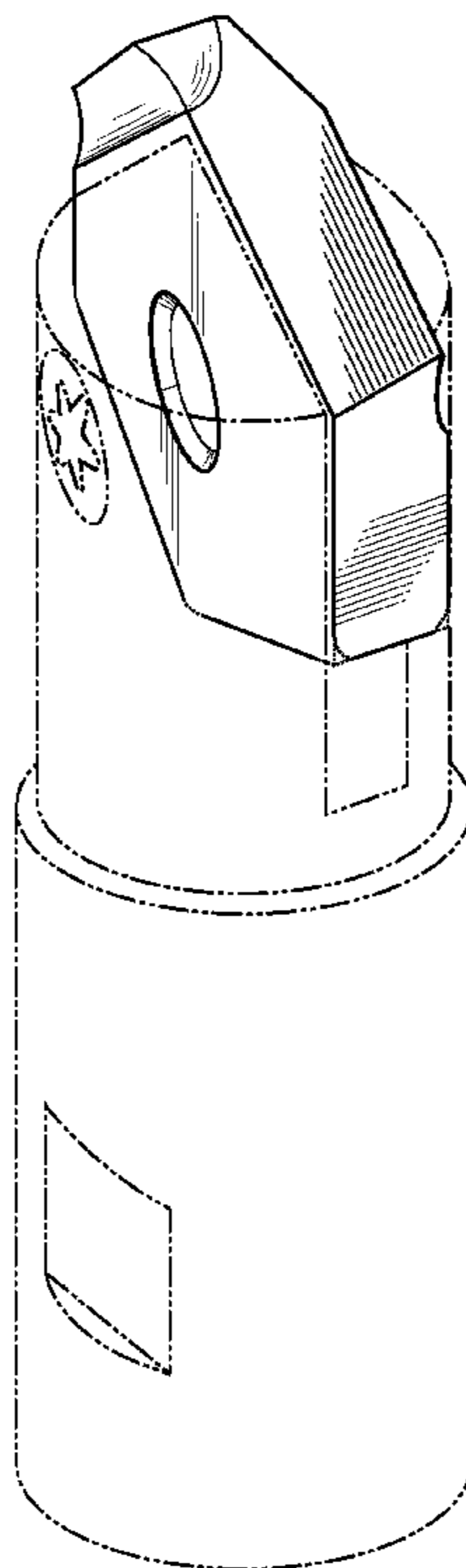
(57) **CLAIM**

The ornamental design for a spot drill insert, as shown and described.

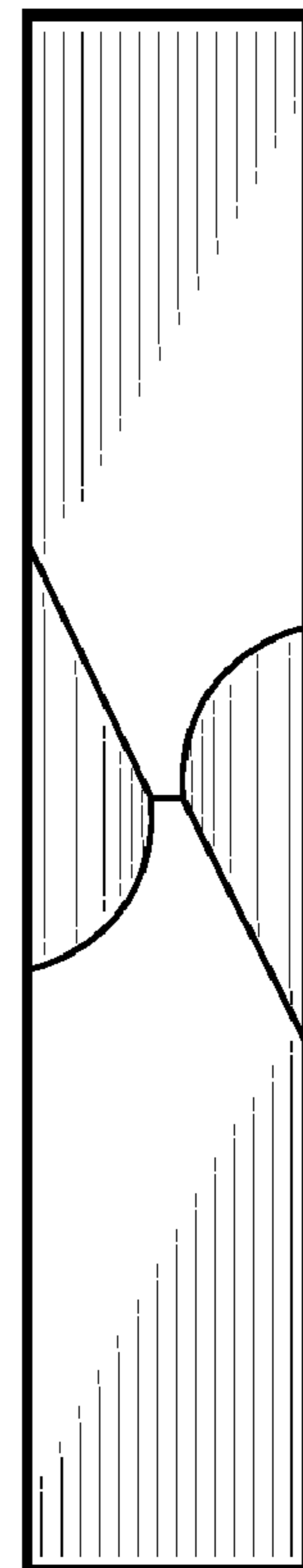
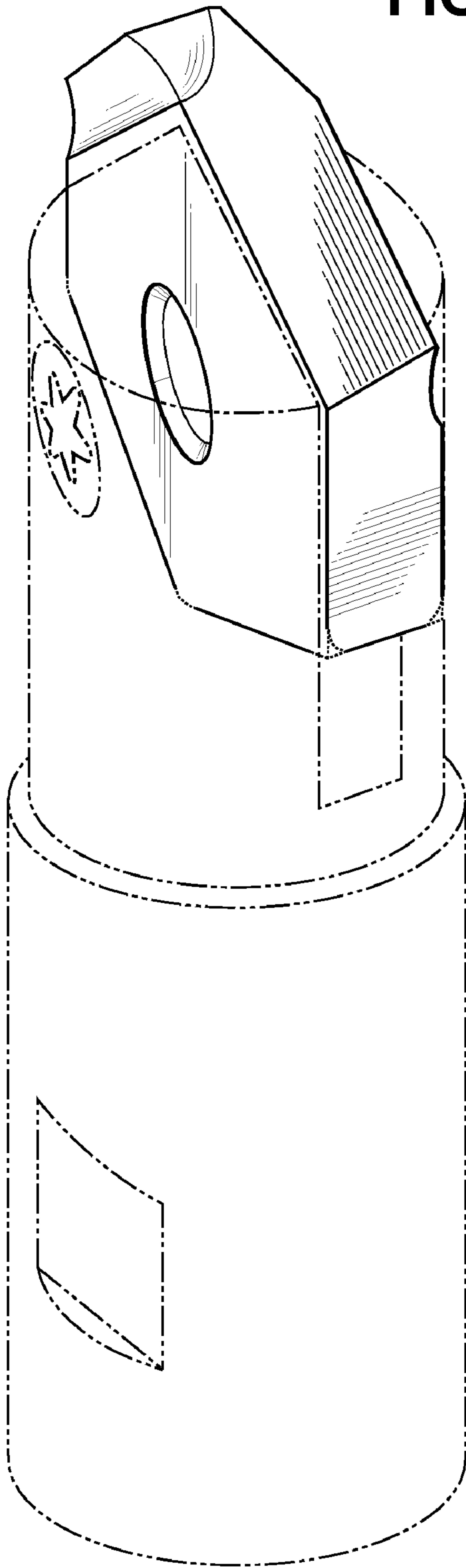
**DESCRIPTION**

FIG. 1 is a perspective environmental view of the spot drill insert positioned within a tool holding the spot drill insert, FIG. 2 is a front view of the spot drill insert, FIG. 3 is a front perspective view of the spot drill insert, FIG. 4 is a side view of the spot drill insert; and, FIG. 5 top down view of the spot drill insert.

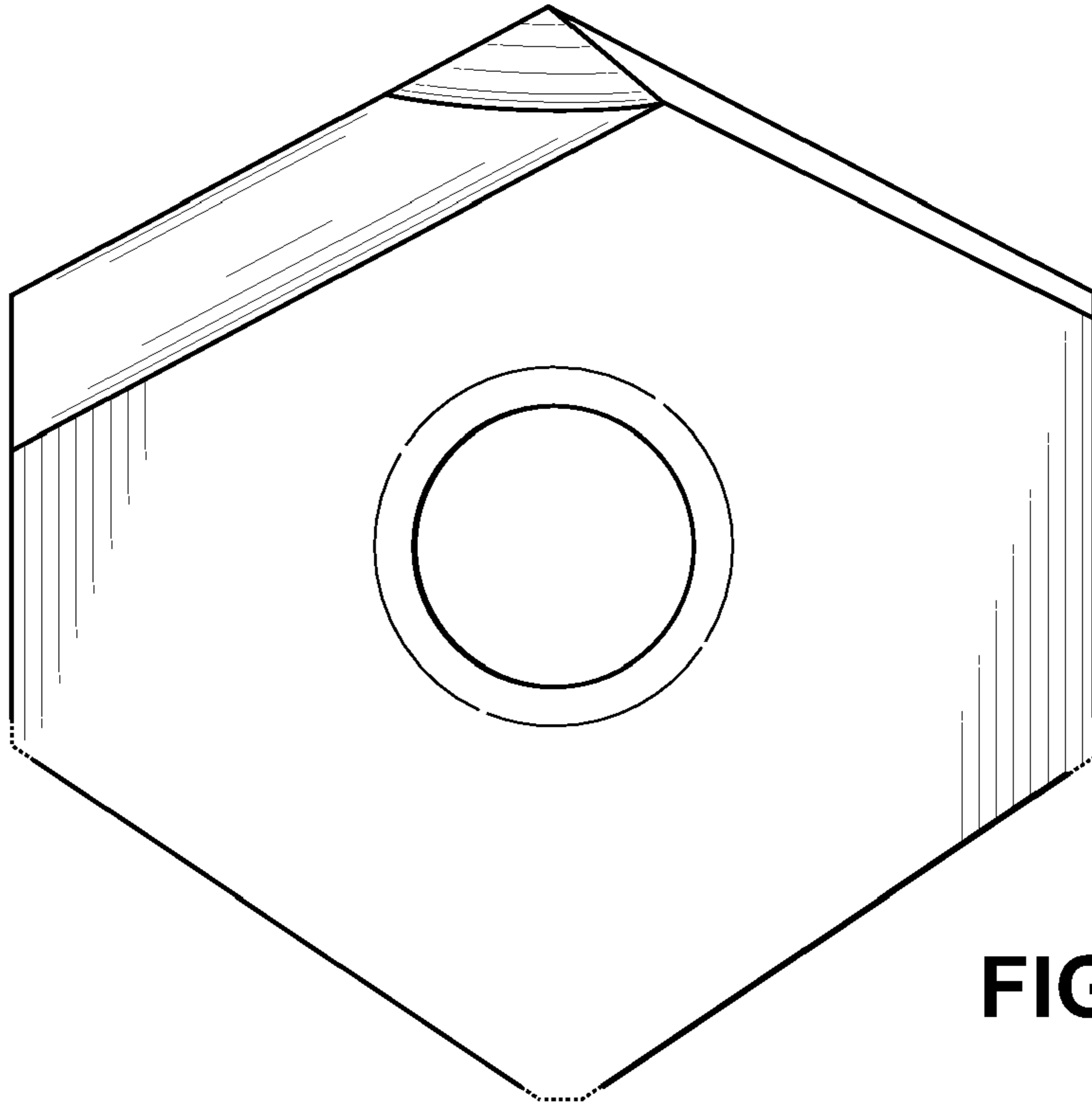
**1 Claim, 2 Drawing Sheets**



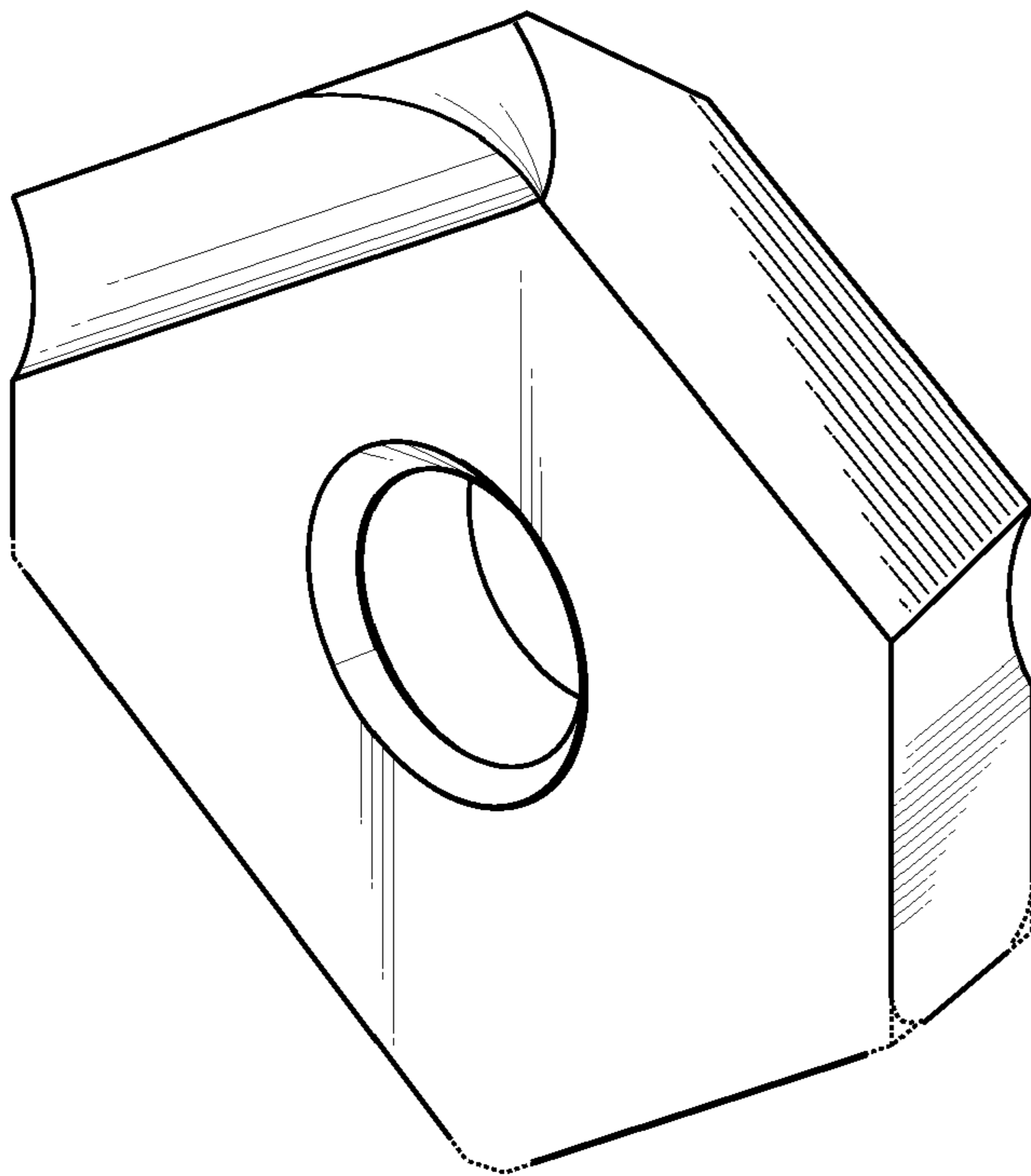
**FIG - 1**



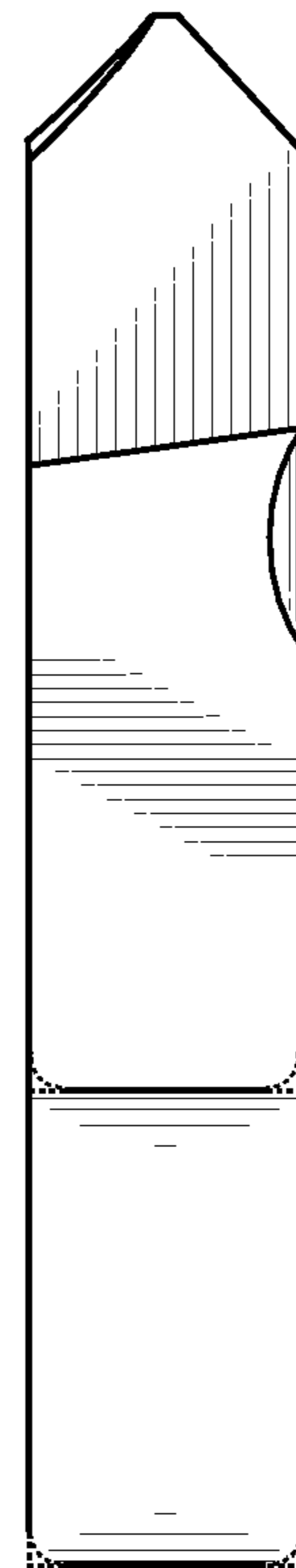
**FIG - 5**



**FIG - 2**



**FIG - 3**



**FIG - 4**

UNITED STATES PATENT AND TRADEMARK OFFICE  
**CERTIFICATE OF CORRECTION**

PATENT NO. : Des. 544,004 S  
APPLICATION NO. : 29/246806  
DATED : June 5, 2005  
INVENTOR(S) : Daniel Janness

Page 1 of 1

It is certified that error appears in the above-identified patent and that said Letters Patent is hereby corrected as shown below:

In the Claim, delete the “,” between the words “insert” and “as”.

In the Description paragraph beginning with “Fig. 5” insert -- is a -- between the number “5” and the word “top”.

In the Description, after the paragraph beginning with “Fig. 5” insert a new paragraph -- the phantom lines are environmental only and form no part of the claimed design.--

Signed and Sealed this

Seventh Day of August, 2007

A handwritten signature in black ink on a light gray dotted background. The signature reads "Jon W. Dudas" in a cursive style.

JON W. DUDAS

*Director of the United States Patent and Trademark Office*

UNITED STATES PATENT AND TRADEMARK OFFICE  
**CERTIFICATE OF CORRECTION**

PATENT NO. : Des. 544,004 S  
APPLICATION NO. : 29/246806  
DATED : June 5, 2007  
INVENTOR(S) : Daniel Janness

Page 1 of 1

It is certified that error appears in the above-identified patent and that said Letters Patent is hereby corrected as shown below:

In the Claim, delete the “,” between the words “insert” and “as”.

In the Description paragraph beginning with “Fig. 5” insert -- is a -- between the number “5” and the word “top”.

In the Description, after the paragraph beginning with “Fig. 5” insert a new paragraph -- the phantom lines are environmental only and form no part of the claimed design.--

This certificate supersedes Certificate of Correction issued August 7, 2007.

Signed and Sealed this

Twenty-eighth Day of August, 2007

A handwritten signature in black ink on a light gray dotted background. The signature reads "Jon W. Dudas" in a cursive style.

JON W. DUDAS

*Director of the United States Patent and Trademark Office*